



US00D621234S

(12) **United States Design Patent**
Goetz et al.

(10) **Patent No.:** **US D621,234 S**

(45) **Date of Patent:** **** Aug. 10, 2010**

(54) **LOPPER**

(75) Inventors: **Michael H. Goetz**, Berlin, PA (US);
David W. Miller, Fairhope, PA (US)

(73) Assignee: **Gilmour, Inc.**, Newark, DE (US)

(**) Term: **14 Years**

(21) Appl. No.: **29/345,895**

(22) Filed: **Oct. 23, 2009**

(51) **LOC (9) Cl.** **08-01**

(52) **U.S. Cl.** **D8/5**

(58) **Field of Classification Search** D8/4,
D8/5, 52, 54, 58; 30/251, 252, 261, 262,
30/123.3, 193; 47/1.7

See application file for complete search history.

(56) **References Cited**

U.S. PATENT DOCUMENTS

148,566	A	3/1874	Kennedy	
447,185	A	2/1891	Hollweg	
476,459	A	6/1892	Hamann et al.	
573,548	A	12/1896	Sours	
694,829	A	3/1902	Candlish	
1,105,191	A	7/1914	Flora et al.	
1,168,125	A	1/1916	Stowell	
1,502,191	A	7/1924	Helwig	
3,230,756	A	1/1966	Pearson	
3,882,599	A	5/1975	Plum	
4,547,965	A	10/1985	Moore	
4,669,140	A	6/1987	Miceli	
4,910,870	A *	3/1990	Chang	30/192
D368,634	S	4/1996	Frazer	
D386,369	S *	11/1997	Lin	D8/5
5,809,599	A	9/1998	Frazer	

5,963,999	A	10/1999	Gardiner et al.	
D446,095	S *	8/2001	Lai	D8/5
6,434,834	B2	8/2002	DiMatteo et al.	
D591,570	S *	5/2009	Lee et al.	D8/5

* cited by examiner

Primary Examiner—Holly H Baynham

Assistant Examiner—Sheryl Lane

(74) *Attorney, Agent, or Firm*—Maginot, Moore & Beck

(57) **CLAIM**

The ornamental design for a lopper, as shown and described.

DESCRIPTION

FIG. 1 is a perspective view of a lopper showing our new design;

FIG. 2 is left side elevational view showing the design for the lopper of FIG. 1;

FIG. 3 is a right side elevational view showing the design for the lopper of FIG. 1;

FIG. 4 is a front elevational view showing the design for the lopper of FIG. 1;

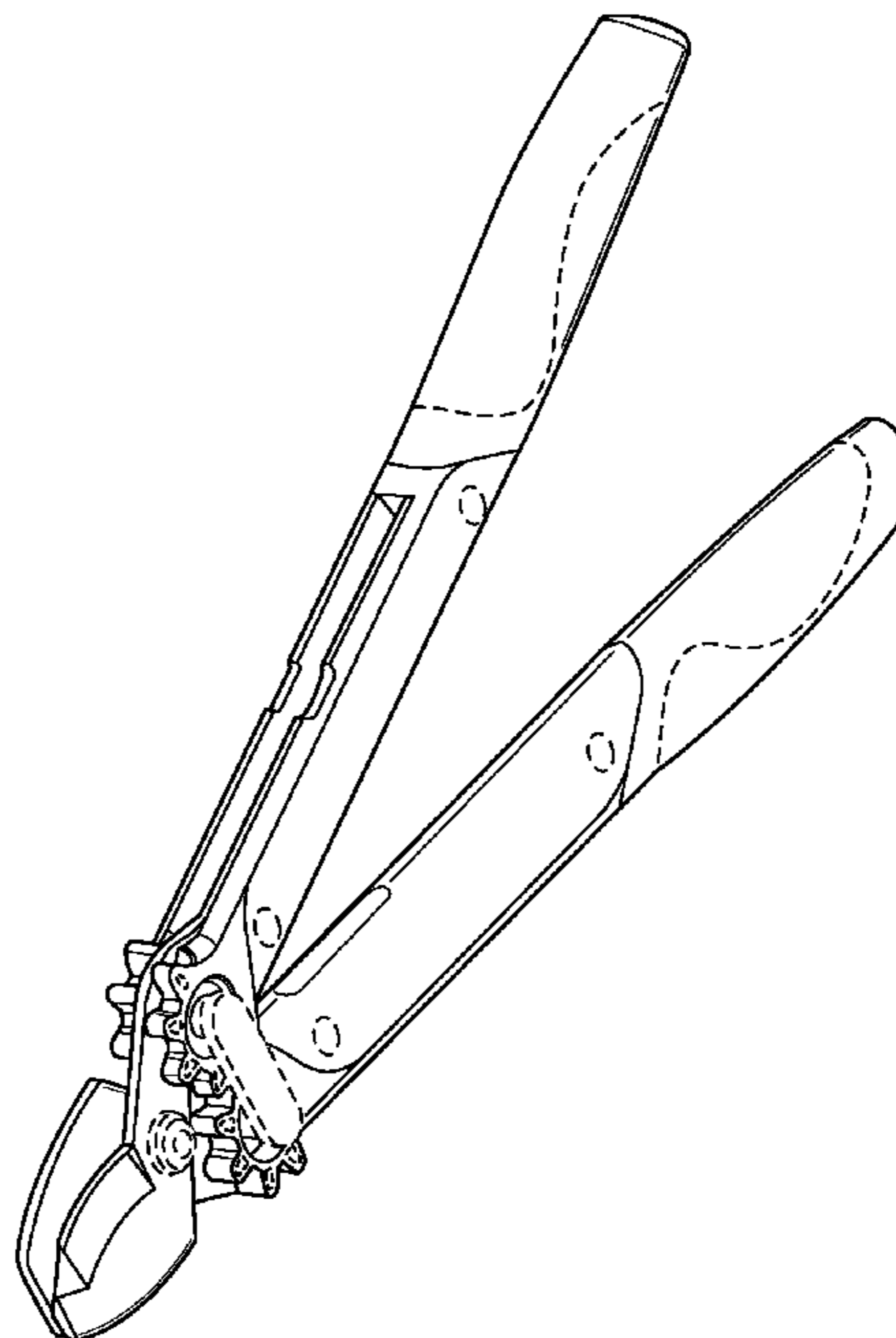
FIG. 5 is a rear elevational view showing the design for the lopper of FIG. 1;

FIG. 6 is a top elevational view showing the design for the lopper of FIG. 1; and,

FIG. 7 is a bottom elevational view showing the design for the lopper of FIG. 1.

The broken line showing of portions of the lopper has been included for the purpose of illustrating borders and forms no part of the claimed design.

1 Claim, 5 Drawing Sheets



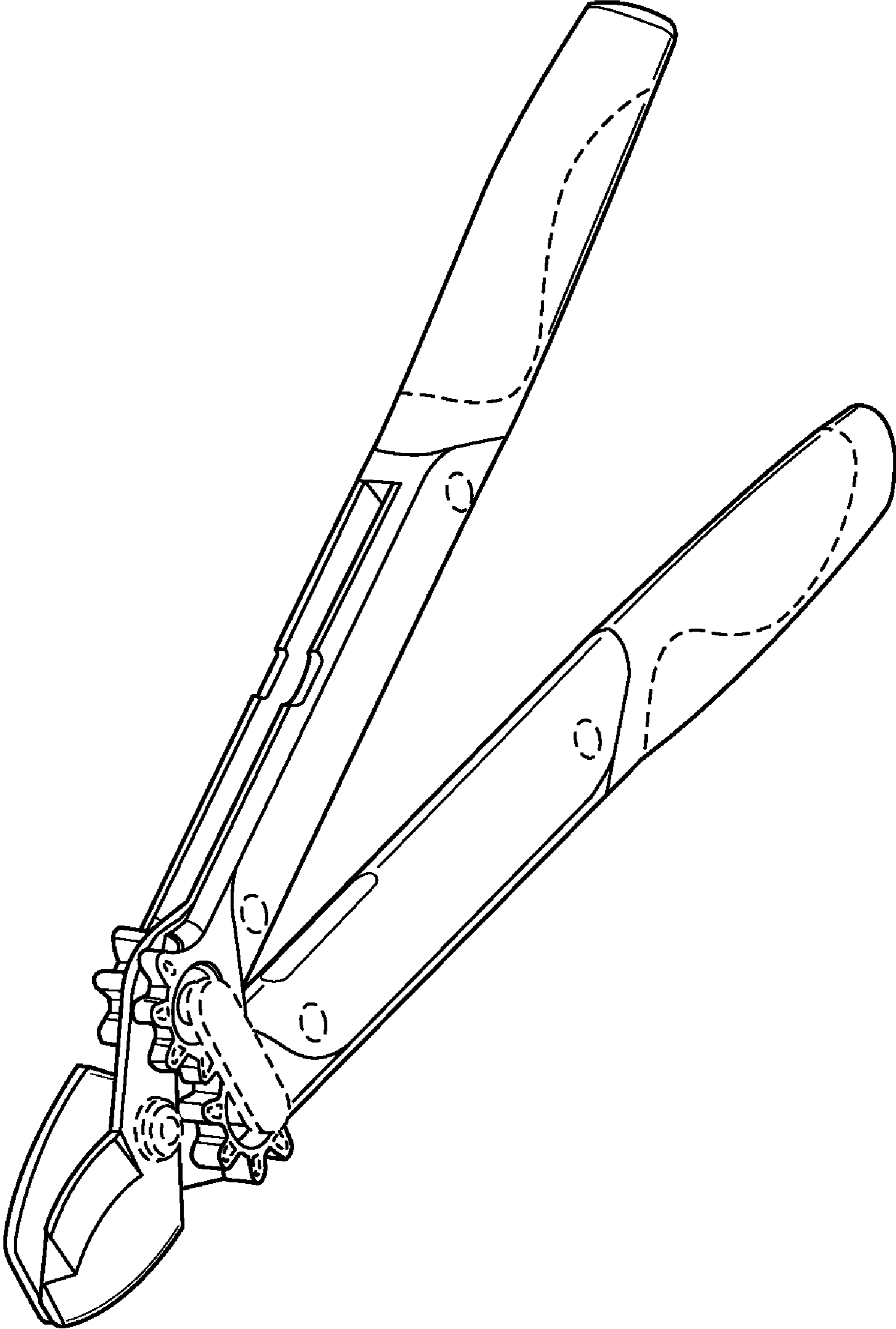


FIG. 1

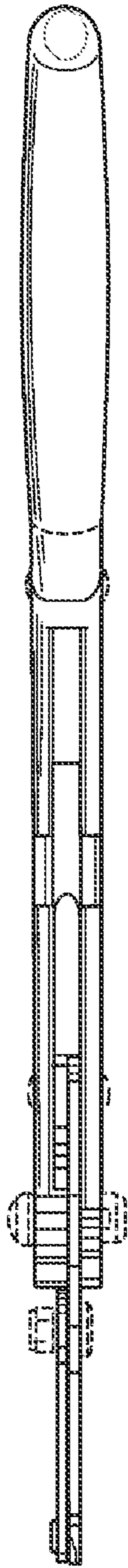


FIG. 2

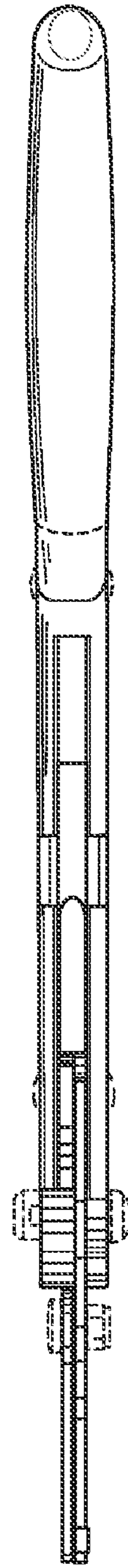


FIG. 3

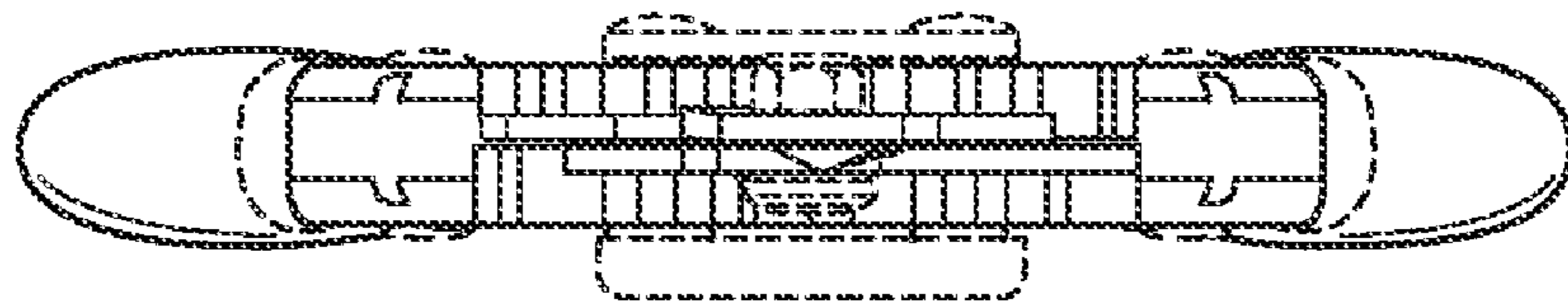


FIG. 4

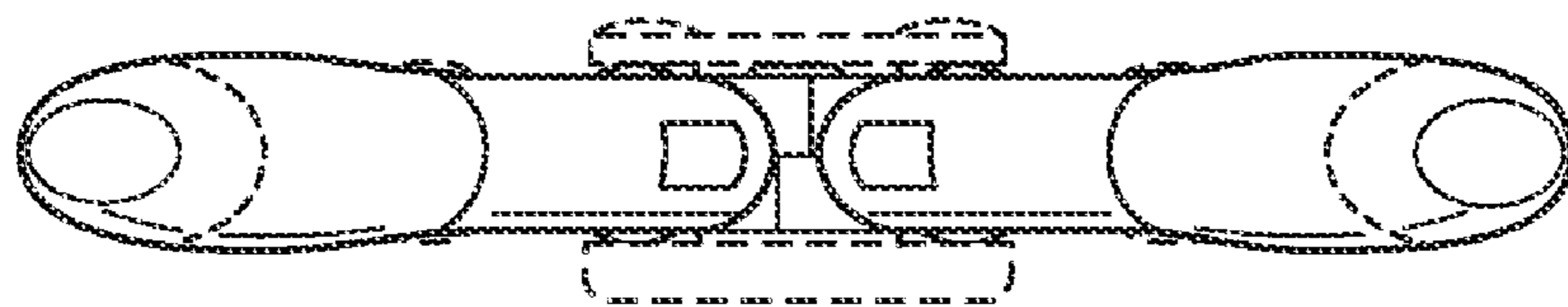


FIG. 5

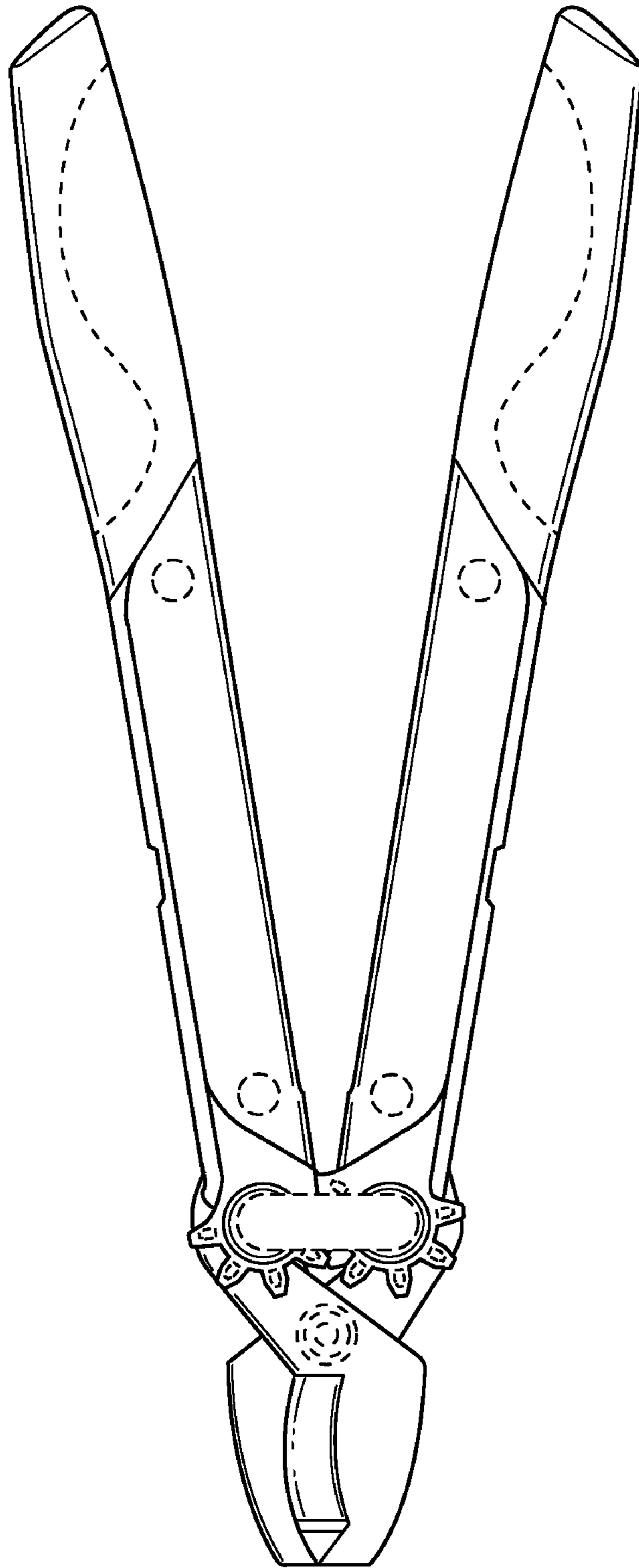


FIG. 6

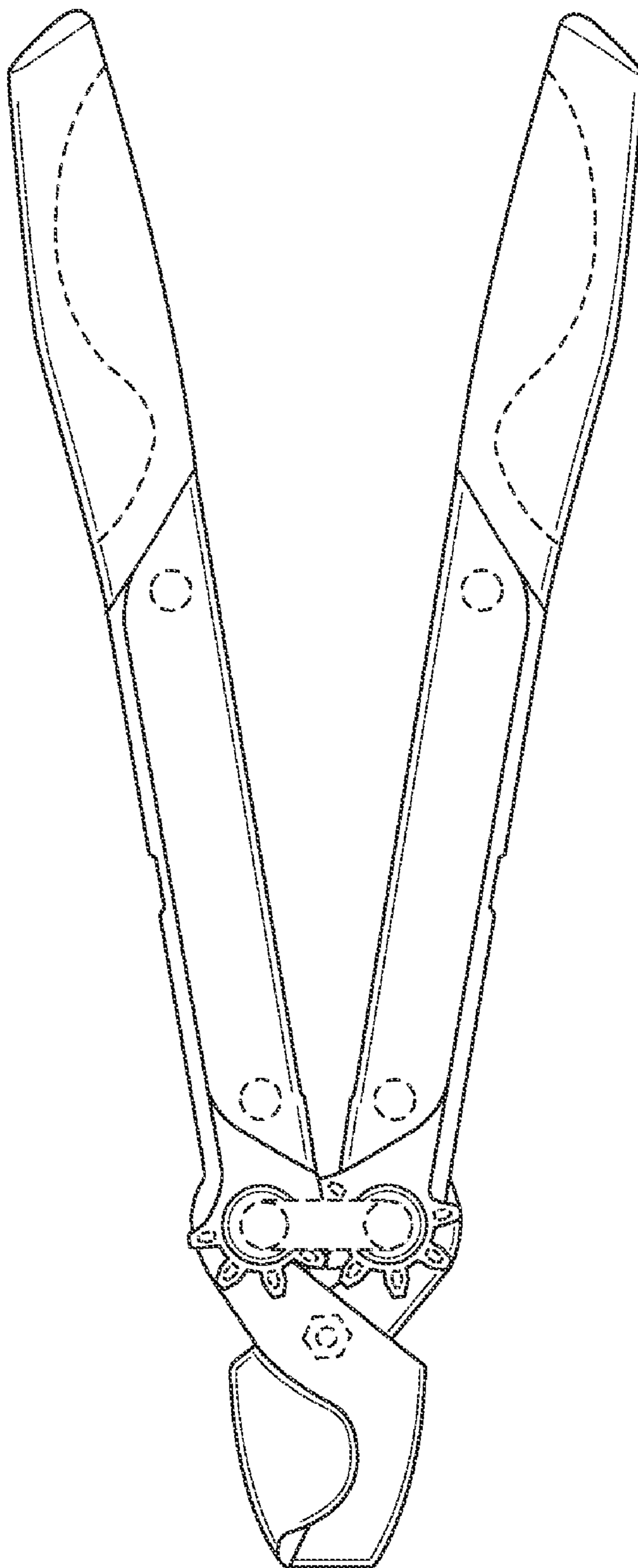


FIG. 7