



US00D621227S

(12) **United States Design Patent**
Connor

(10) **Patent No.:** **US D621,227 S**

(45) **Date of Patent:** **** Aug. 10, 2010**

(54) **STORAGE BOX FOR MEASURING SPOONS**

Primary Examiner—Terry A Wallace

(74) *Attorney, Agent, or Firm*—John R. Benefiel

(76) **Inventor:** **Joan V. Connor**, 305 Red Oak,
Hendersonville, NC (US) 28791

(57) **CLAIM**

(**) **Term:** **14 Years**

The ornamental design for storage box for measuring spoons,
as shown and described.

(21) **Appl. No.:** **29/342,879**

DESCRIPTION

(22) **Filed:** **Sep. 2, 2009**

FIG. 1 is a pictorial view of a storage box for measuring spoons according to the present invention with protruding spoons shown in broken lines and not forming a part of the invention.

(51) **LOC (9) Cl.** **07-99**

(52) **U.S. Cl.** **D7/637**

(58) **Field of Classification Search** D7/637-641;
248/37.3, 37.6, 176.1; 211/70.6, 70.7, 41.7,
211/41.1, 41.2, 41.3

FIG. 2 is a front view of the storage box for measuring spoons shown in FIG. 1, with protruding spoons shown in broken lines and not forming a part of the invention.

See application file for complete search history.

FIG. 3 is a top plan view of the storage box for measuring spoons shown in FIGS. 1 and 2.

(56) **References Cited**

U.S. PATENT DOCUMENTS

926,852 A *	7/1909	Catin	248/37.3
1,916,984 A *	7/1933	Naken	211/70.7
D248,714 S *	8/1978	Dedrick	D7/507
D254,116 S *	2/1980	Daenen	D7/641
4,509,651 A *	4/1985	Prindle	211/70.6
2008/0173772 A1 *	7/2008	Welch	248/37.3

FIG. 4 is a left side view of the storage box for measuring spoons shown in FIGS. 1-3.

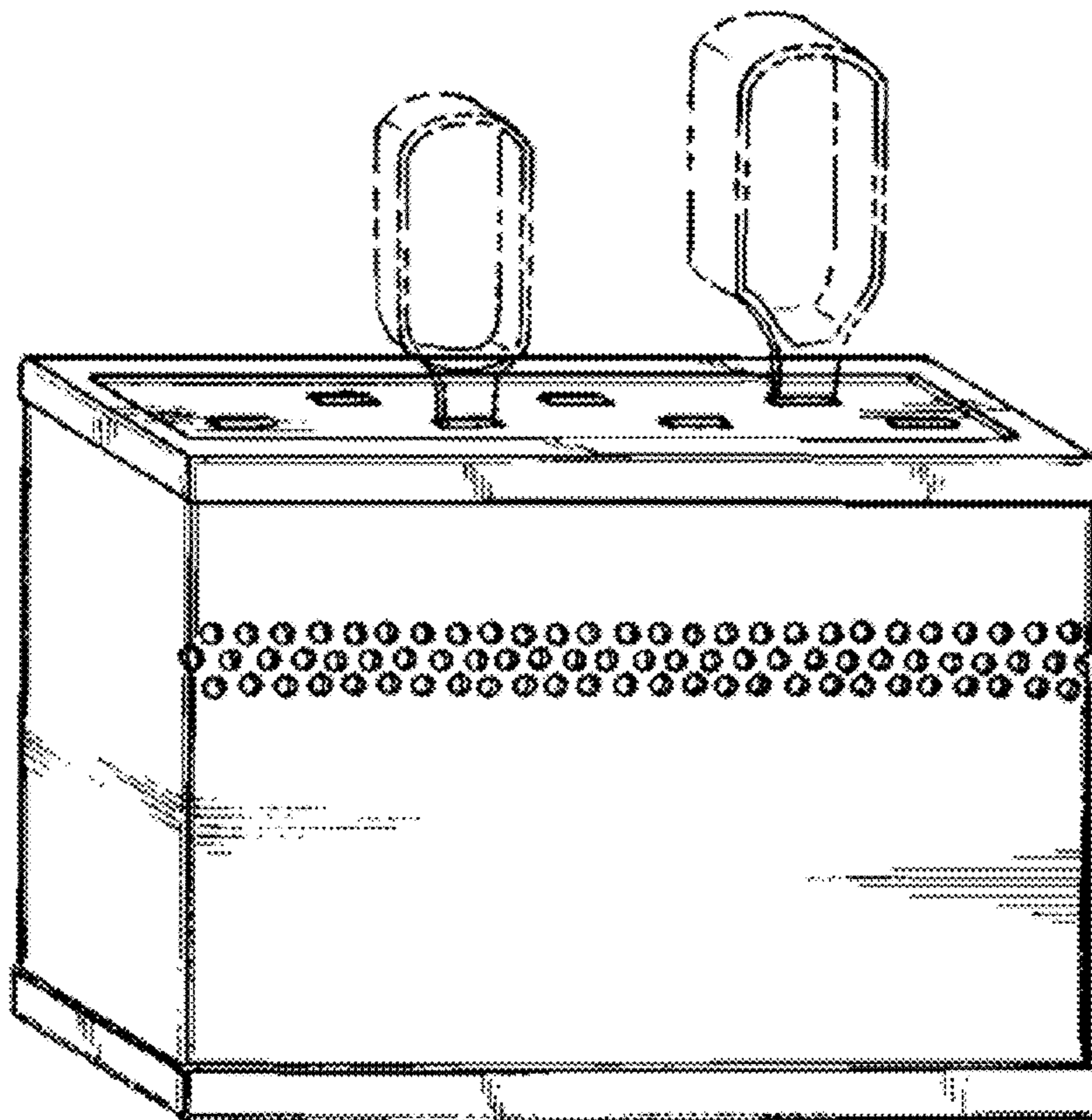
FIG. 5 is a right side view of the storage box for measuring spoons shown in FIGS. 1-4.

FIG. 6 is a bottom view of the storage box for measuring spoons shown in FIGS. 1-5; and,

FIG. 7 is a rear view of a storage box for measuring spoons shown in FIGS. 1-6.

* cited by examiner

1 Claim, 3 Drawing Sheets



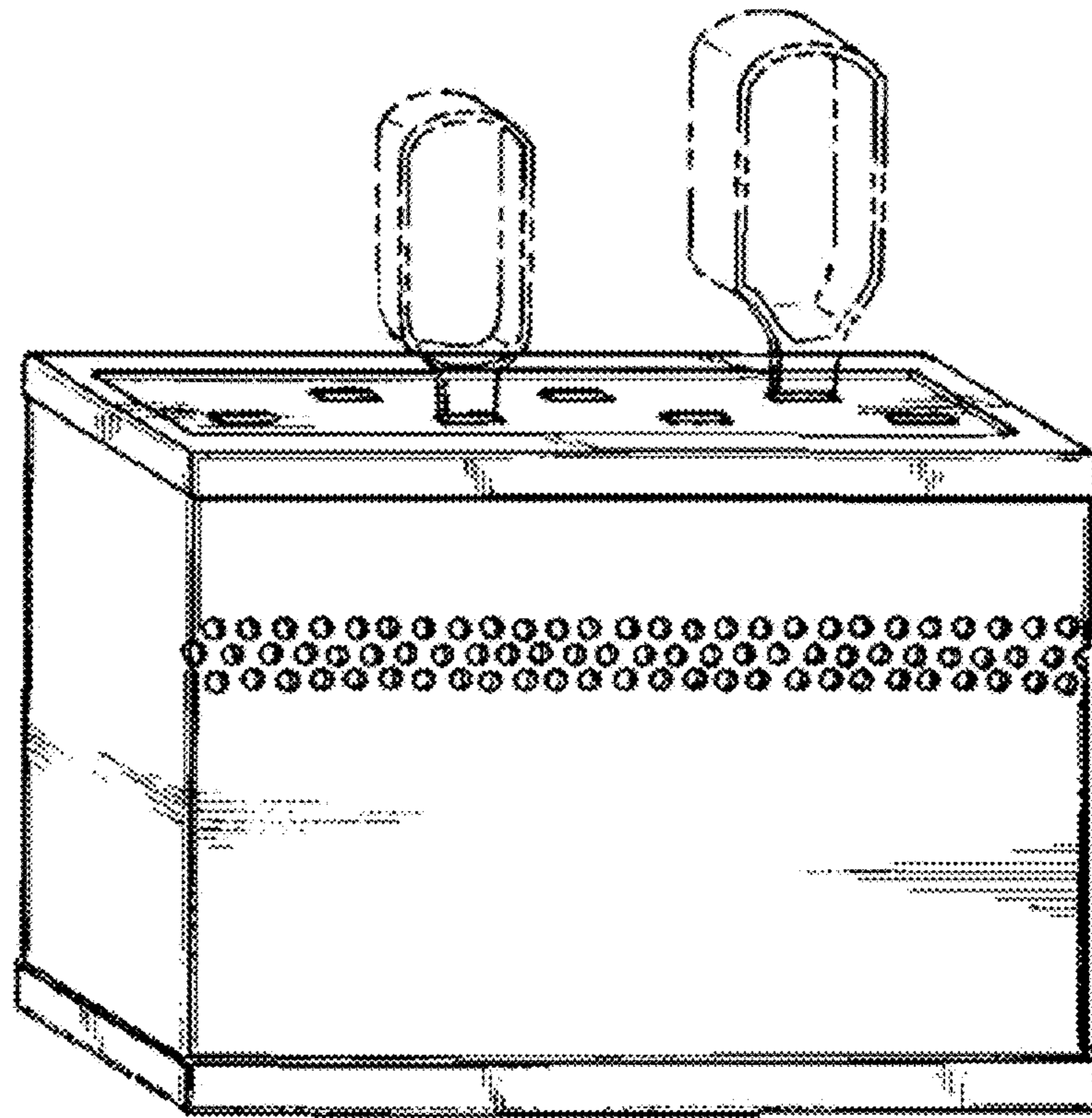


FIG. 1

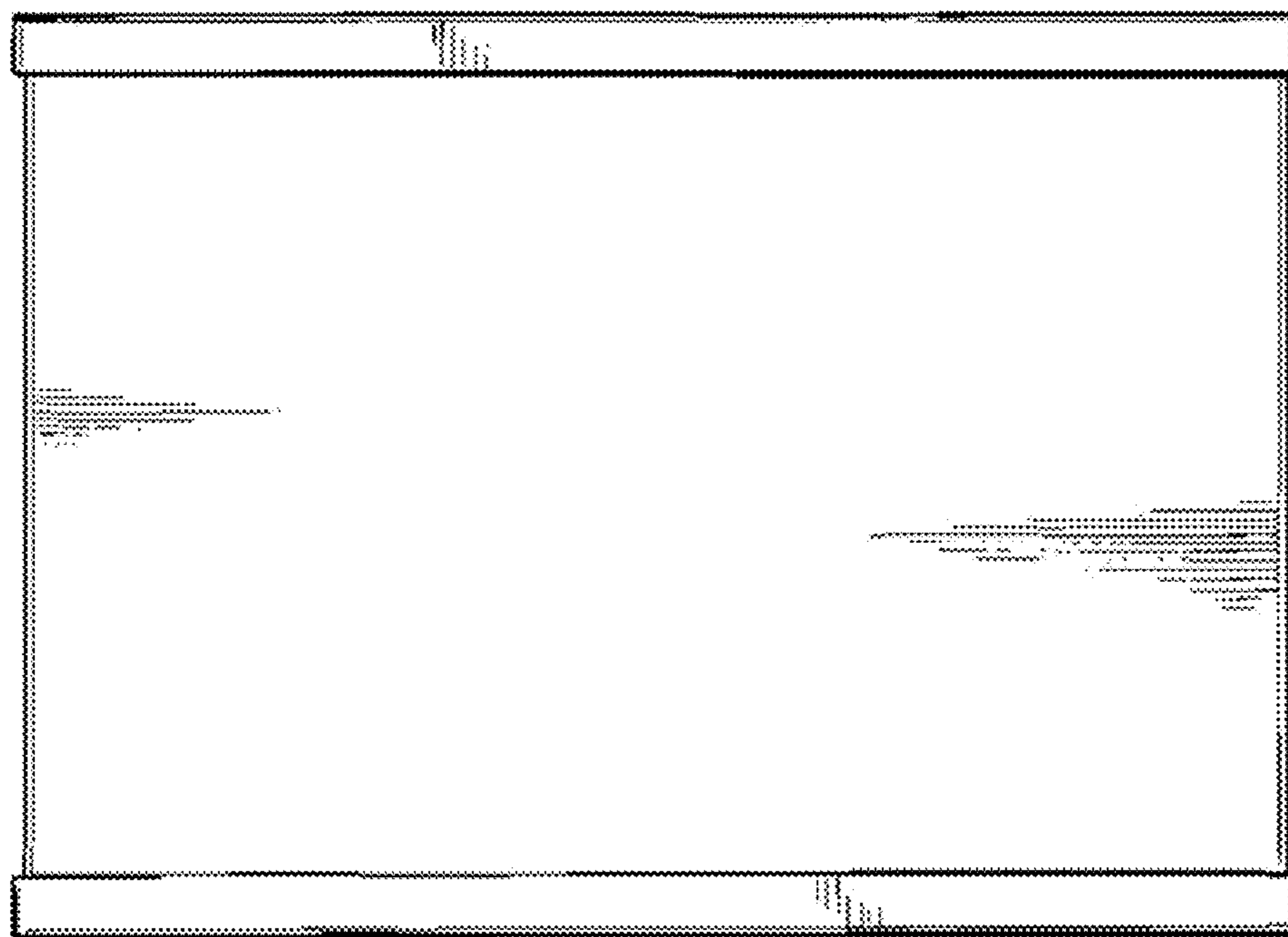


FIG. 7

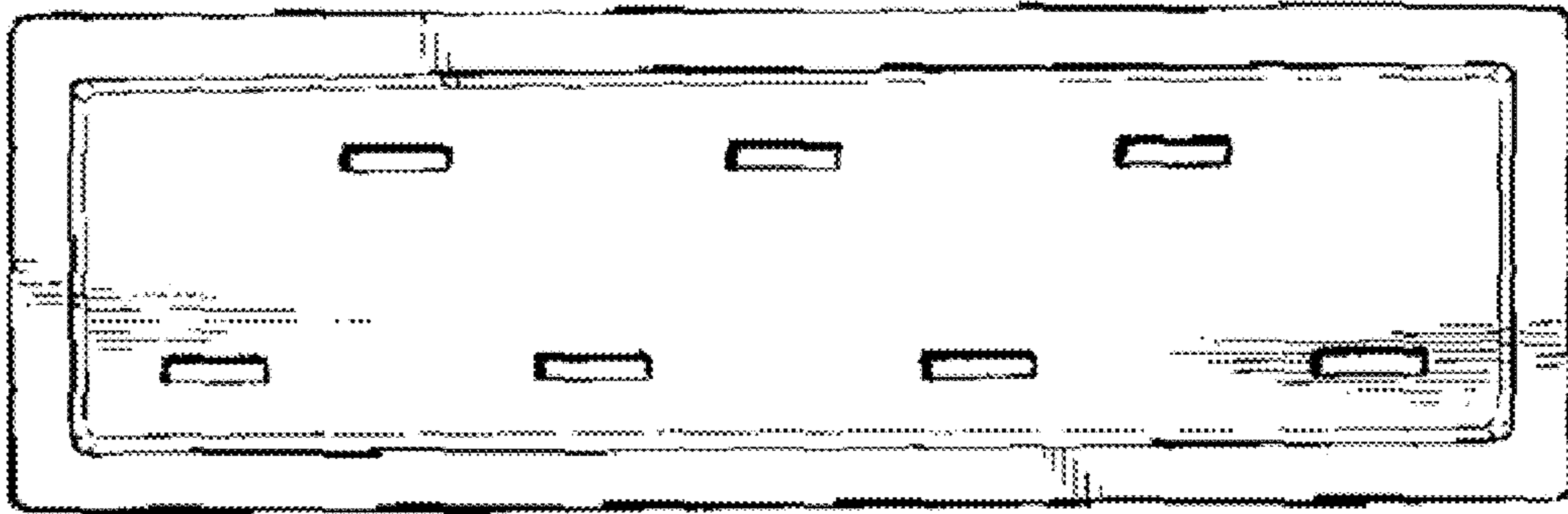


FIG. 3

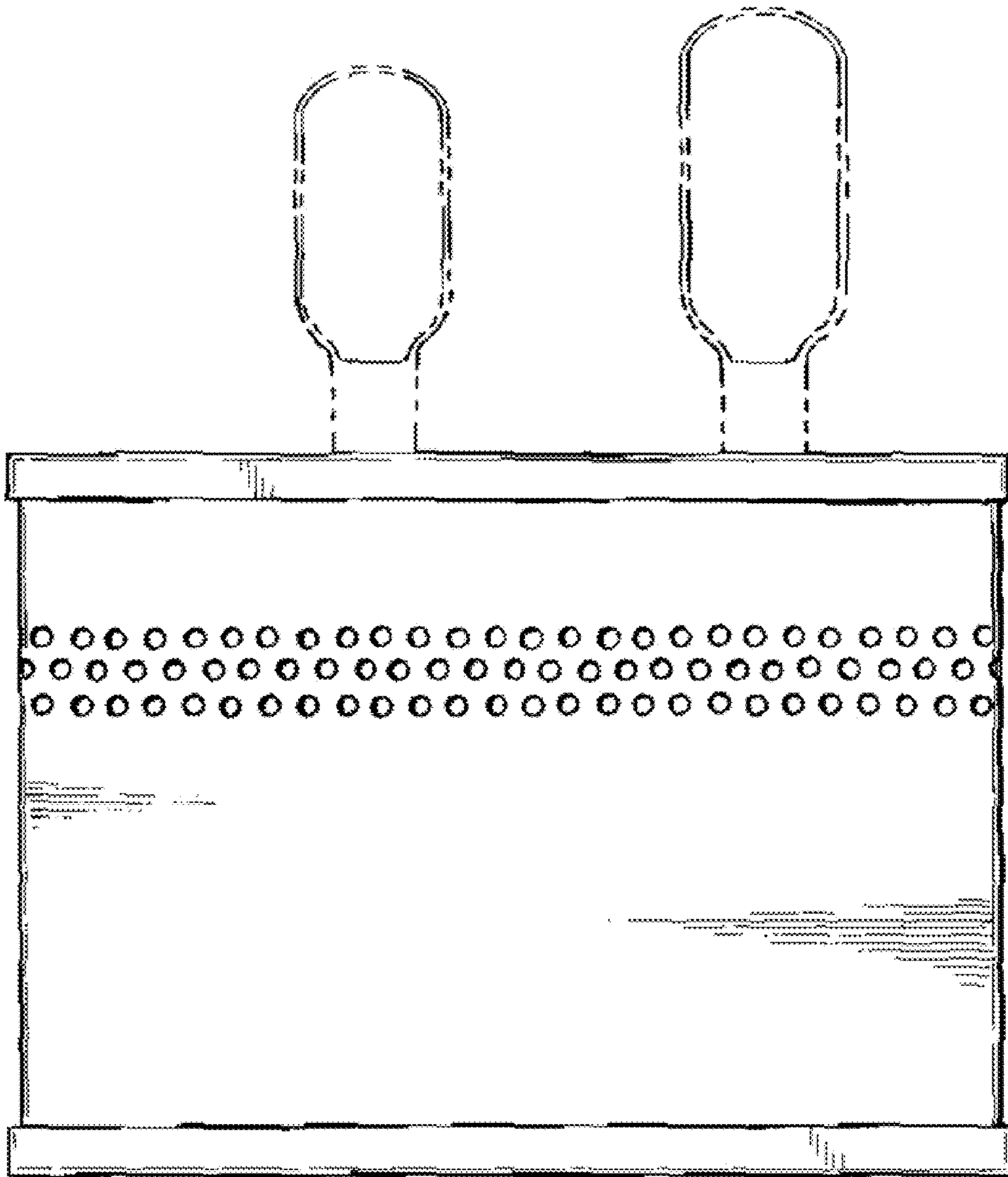


FIG. 2

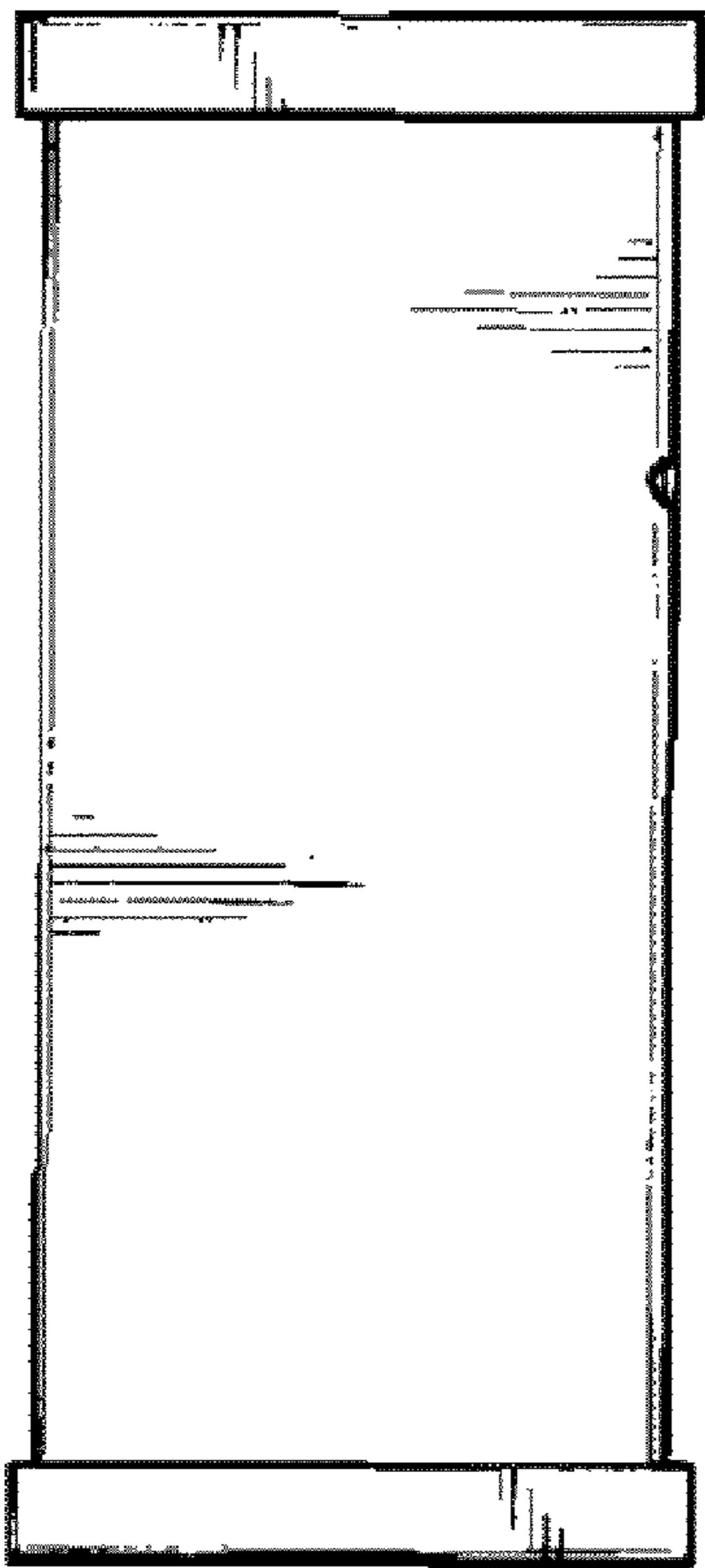


FIG 4

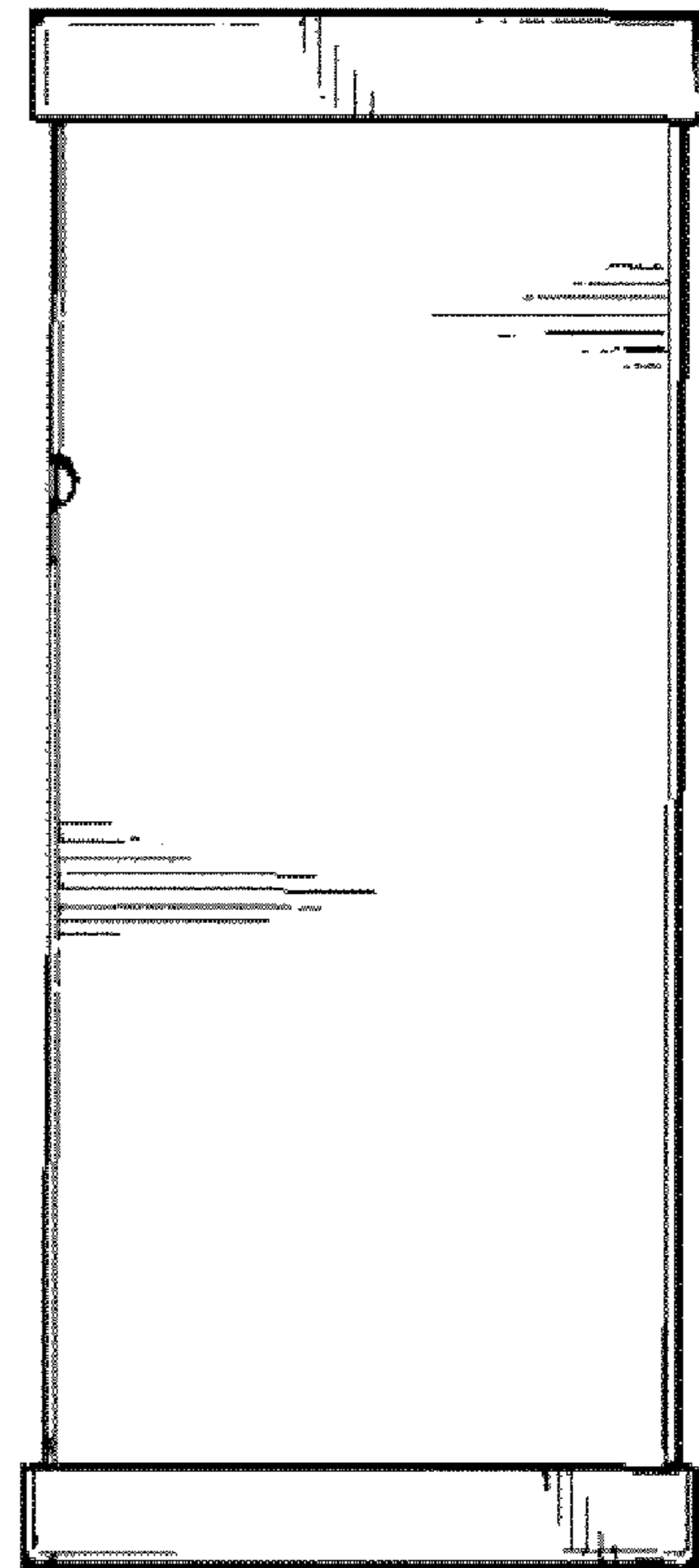


FIG. 5

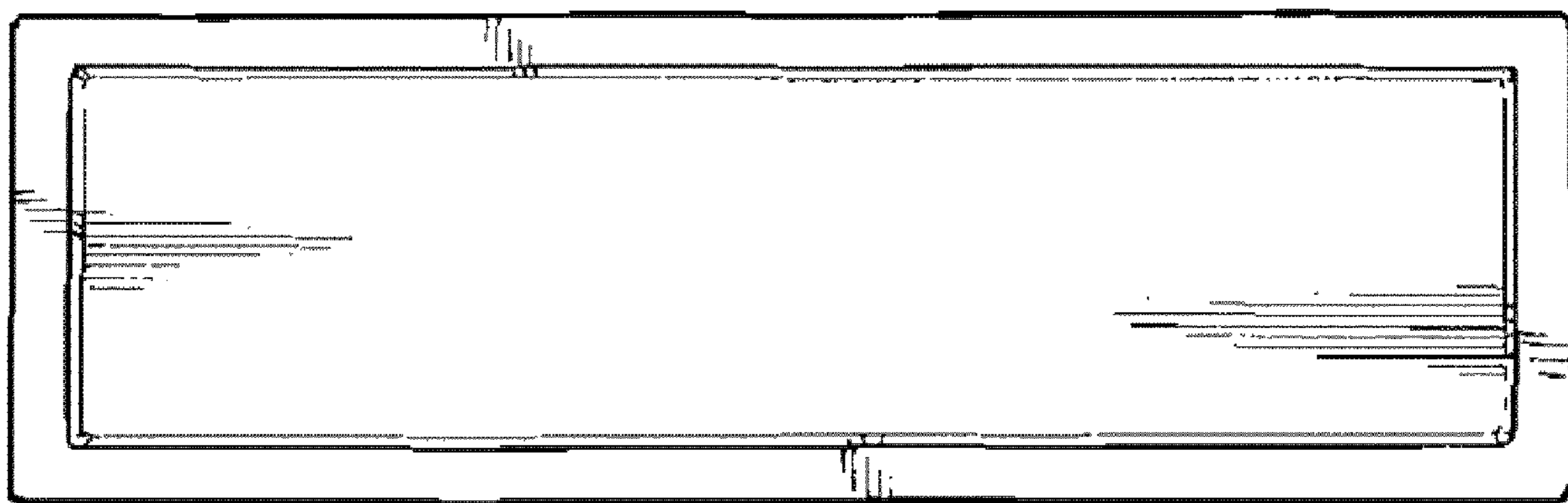


FIG. 6