



US00D621225S

(12) **United States Design Patent**  
**Takagi et al.**

(10) **Patent No.:** **US D621,225 S**

(45) **Date of Patent:** **\*\* Aug. 10, 2010**

(54) **DECANTING CRADLE**

4,874,156 A 10/1989 Goldzweig ..... 269/158

(75) Inventors: **Chikara Takagi**, Hashima (JP);  
**Yasunori Ozeki**, Hashima (JP)

(73) Assignee: **Fuji Shoji Co., Ltd.**, Gifu-ken (JP)

(\*\*) Term: **14 Years**

(21) Appl. No.: **29/347,224**

(22) Filed: **Nov. 3, 2009**

(30) **Foreign Application Priority Data**

May 19, 2009 (JP) ..... 2009-011140

(51) **LOC (9) Cl.** ..... **07-02**

(52) **U.S. Cl.** ..... **D7/621; D7/619.1; D7/300**

(58) **Field of Classification Search** ..... D7/669,  
D7/213, 388, 387, 397, 300, 621, 619.1;  
222/166; 248/141

See application file for complete search history.

(56) **References Cited**

**U.S. PATENT DOCUMENTS**

2,606,583 A	8/1952	O'Connor	269/93
3,039,195 A	6/1962	Lilly	33/404
3,868,047 A *	2/1975	Bersano	222/166
3,934,316 A	1/1976	Driscoll	24/486
D257,935 S *	1/1981	Allan	D7/621
D261,345 S *	10/1981	Koeppel et al.	D7/621
D262,085 S *	12/1981	Petley	D7/621
4,317,551 A *	3/1982	Bishop	248/141
4,607,829 A	8/1986	Suska	269/88
4,747,590 A	5/1988	Yang	269/45

**OTHER PUBLICATIONS**

Notice of Allowance issued from the U.S. Patent and Trademark Office on Apr. 5, 2010 for the related U.S. Design Appl. No. 29/347,225 (a copy enclosed).

\* cited by examiner

*Primary Examiner*—Marianne Pandozzi

(74) *Attorney, Agent, or Firm*—Posz Law Group, PLC

(57) **CLAIM**

The ornamental design for a decanting cradle, as shown and described.

**DESCRIPTION**

This application is also related to concurrently filed U.S. application, which is also entitled Decanting Cradle, Ser. No. 29/347,225.

FIG. 1 is a front perspective view of a decanting cradle showing our new design;

FIG. 2 is a rear perspective view thereof;

FIG. 3 is a front elevational view thereof;

FIG. 4 is a rear elevational view thereof;

FIG. 5 is a top plan view thereof;

FIG. 6 is a bottom plan view thereof;

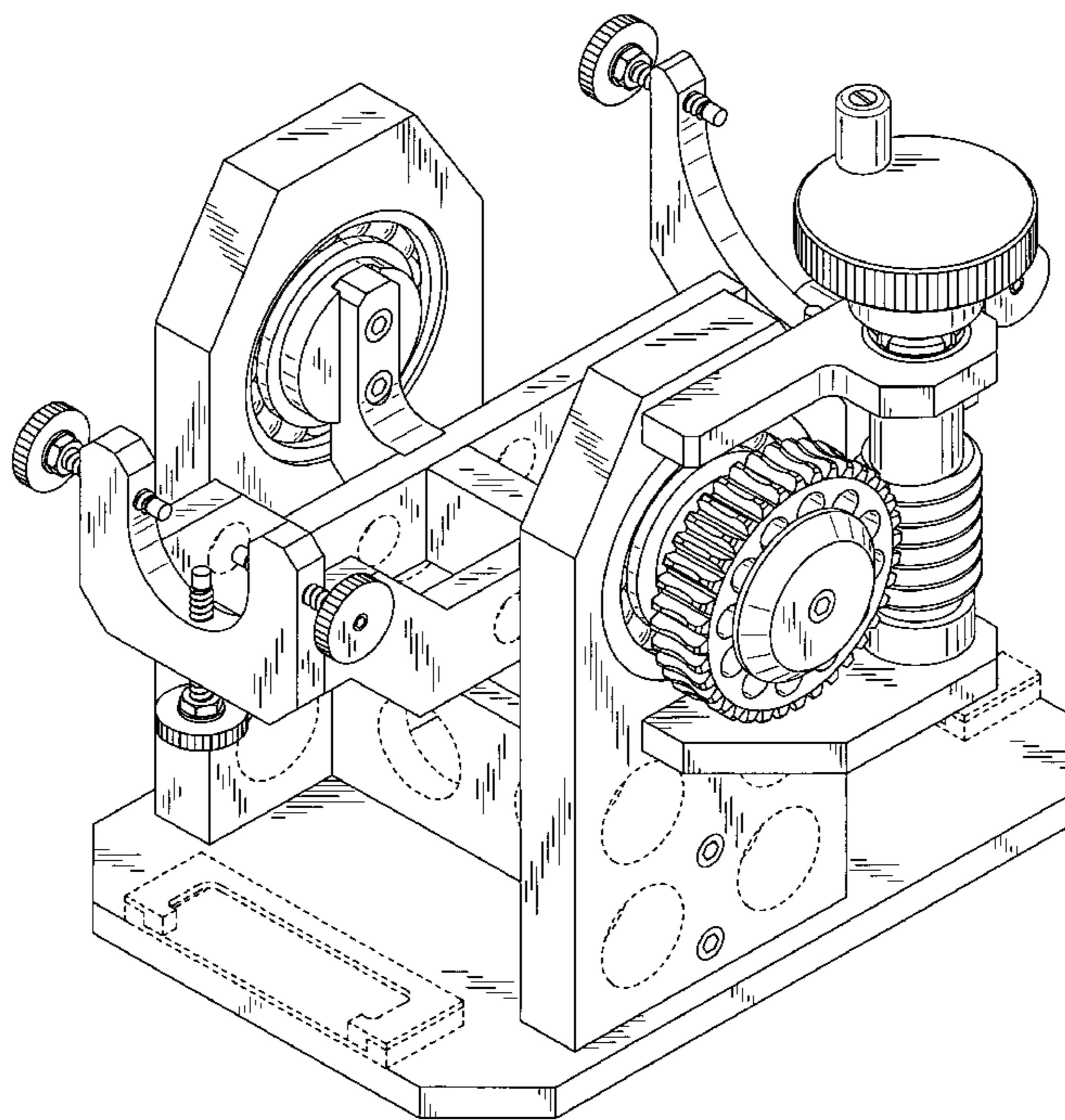
FIG. 7 is a right side elevational view thereof;

FIG. 8 is a left side elevational view thereof; and,

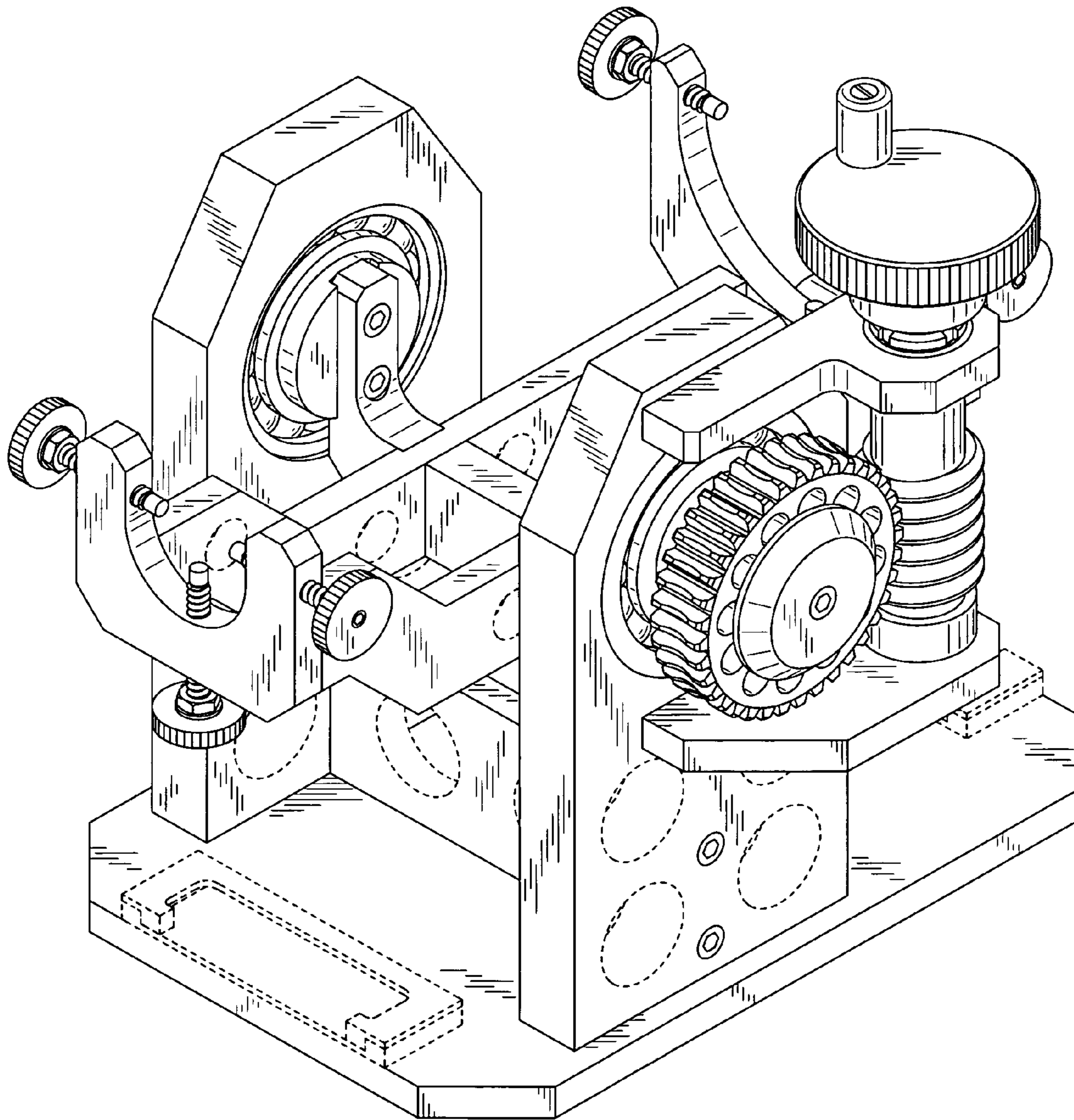
FIG. 9 is an in use perspective view thereof.

The broken lines are shown for illustrative purposes only and form no part of the claimed design.

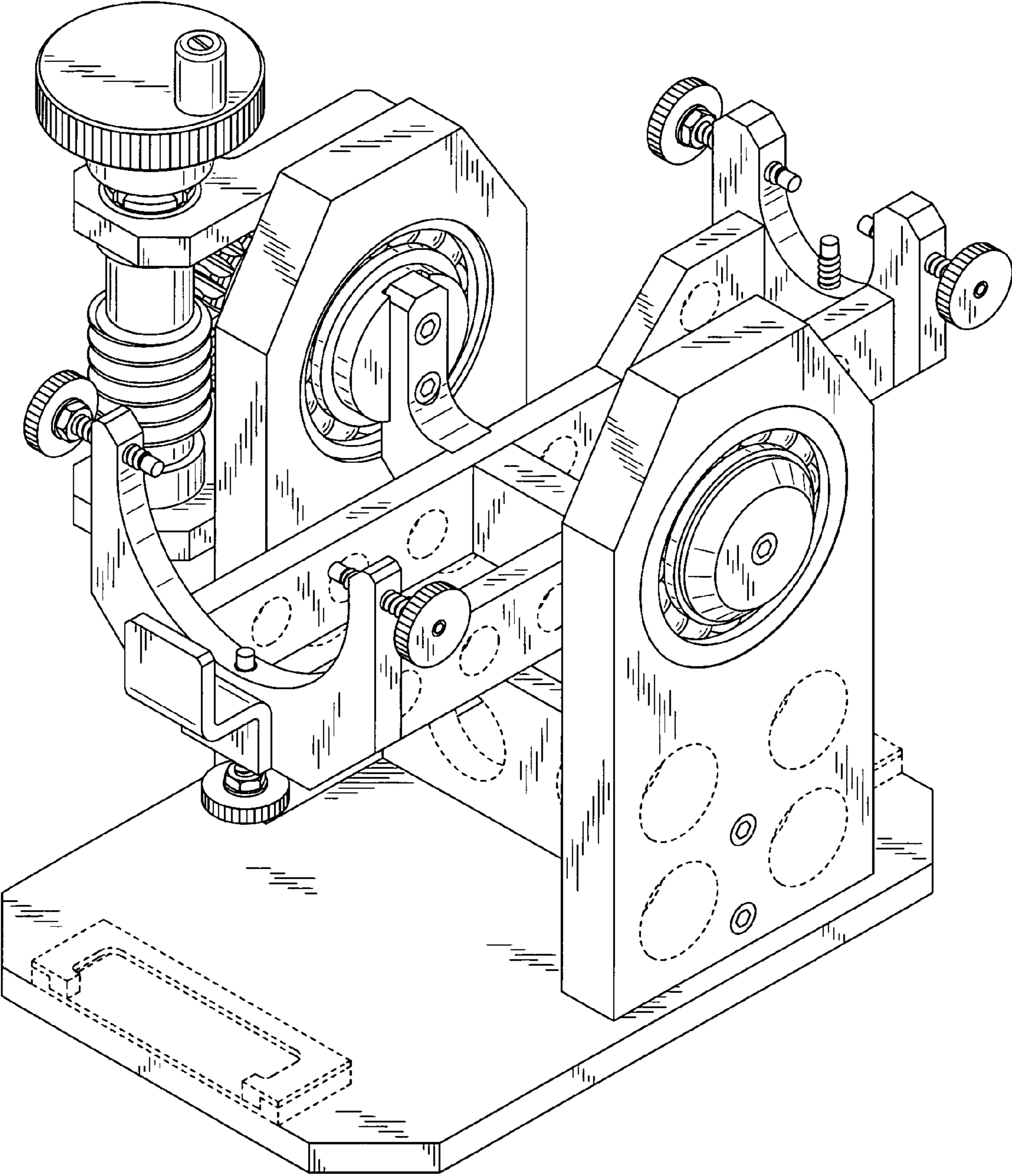
**1 Claim, 9 Drawing Sheets**



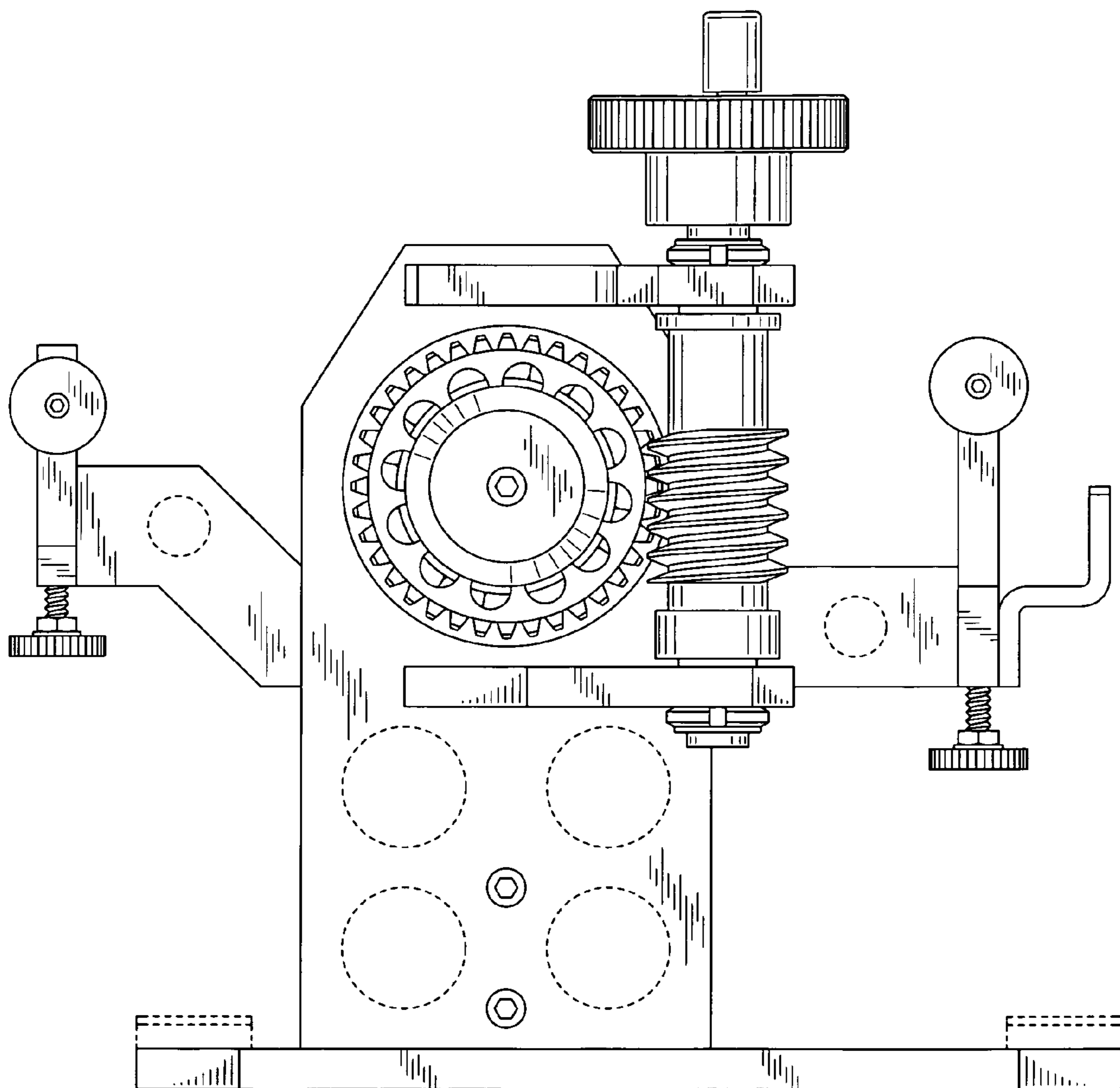
**Fig. 1**



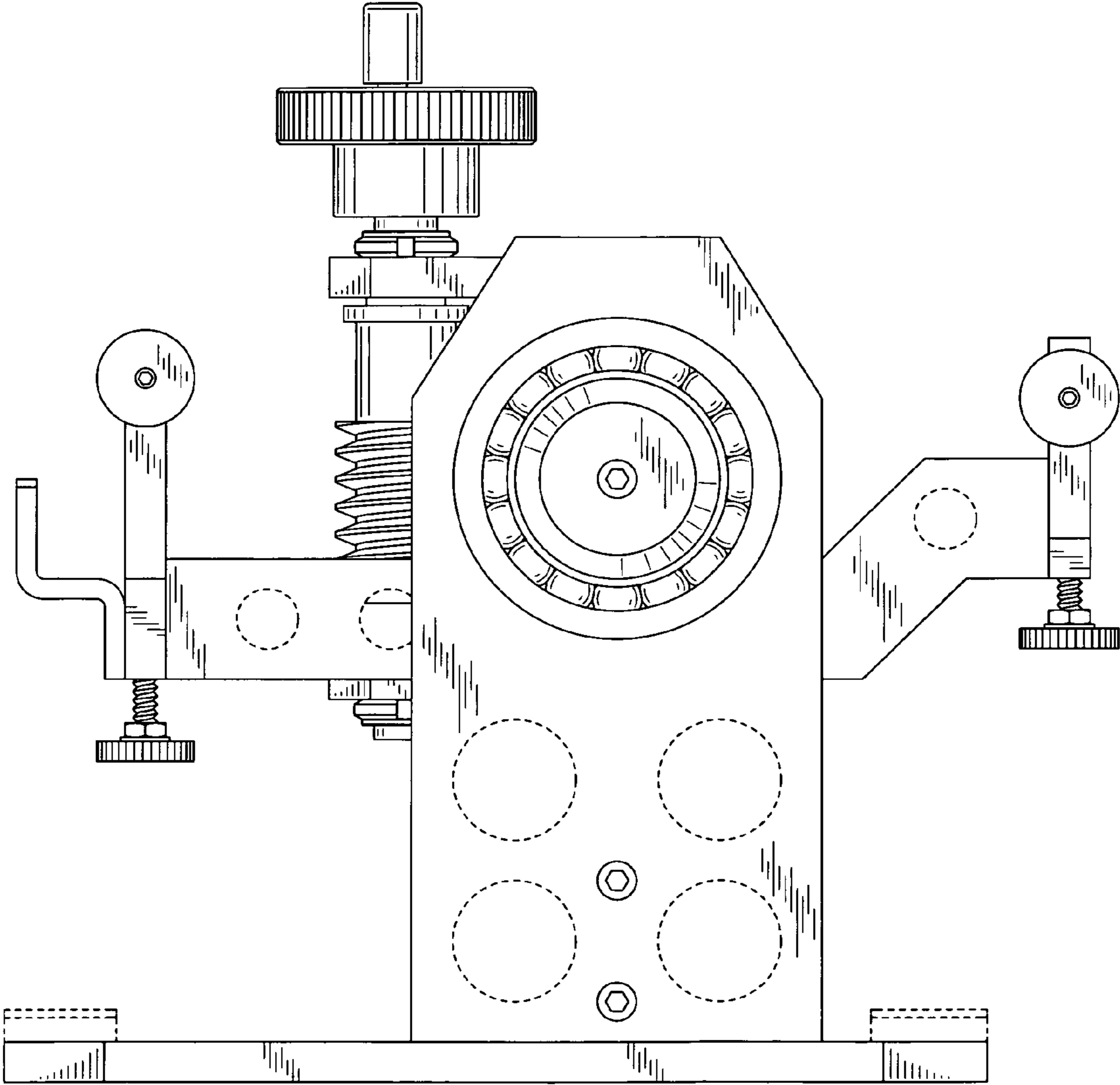
**Fig. 2**



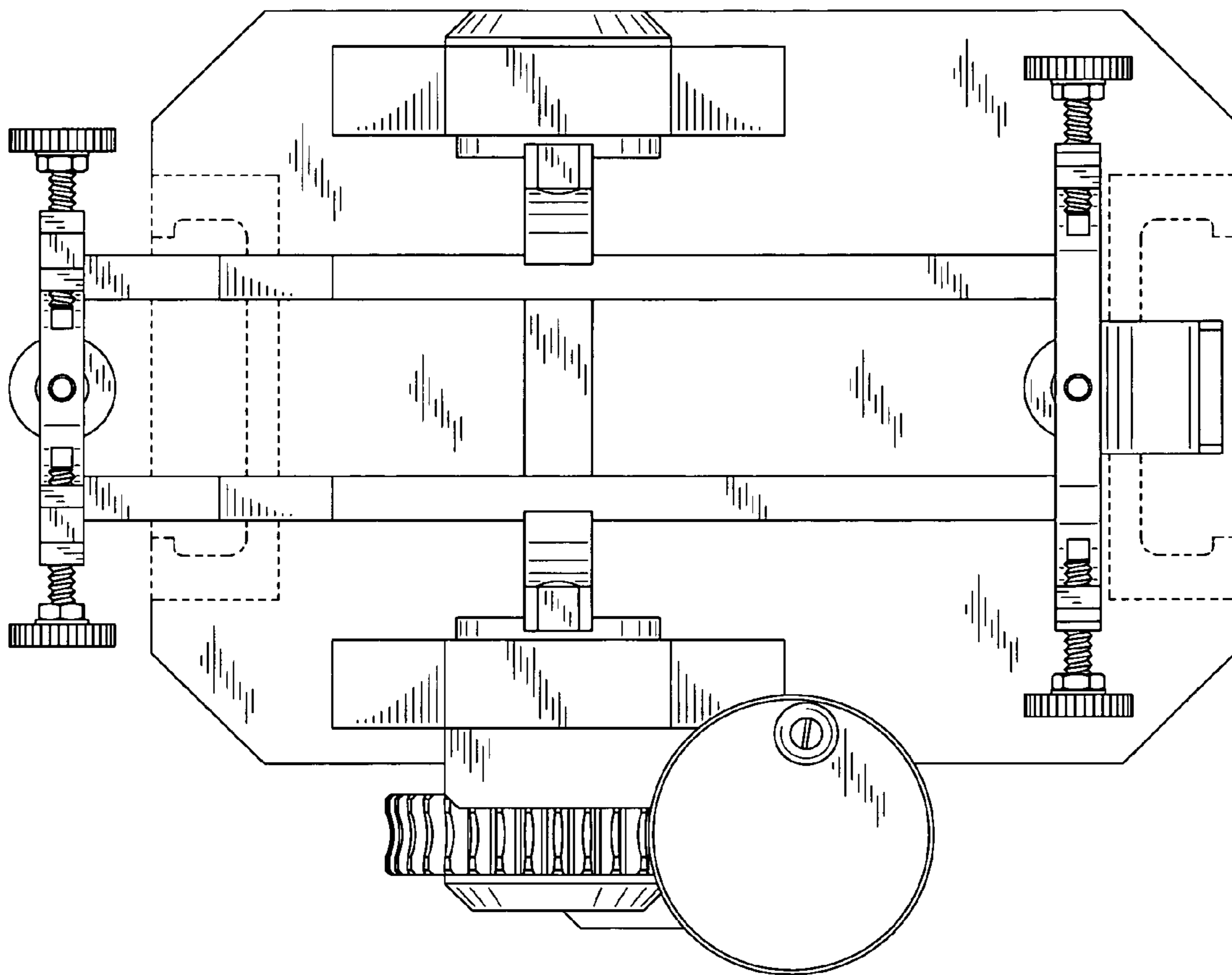
**Fig. 3**



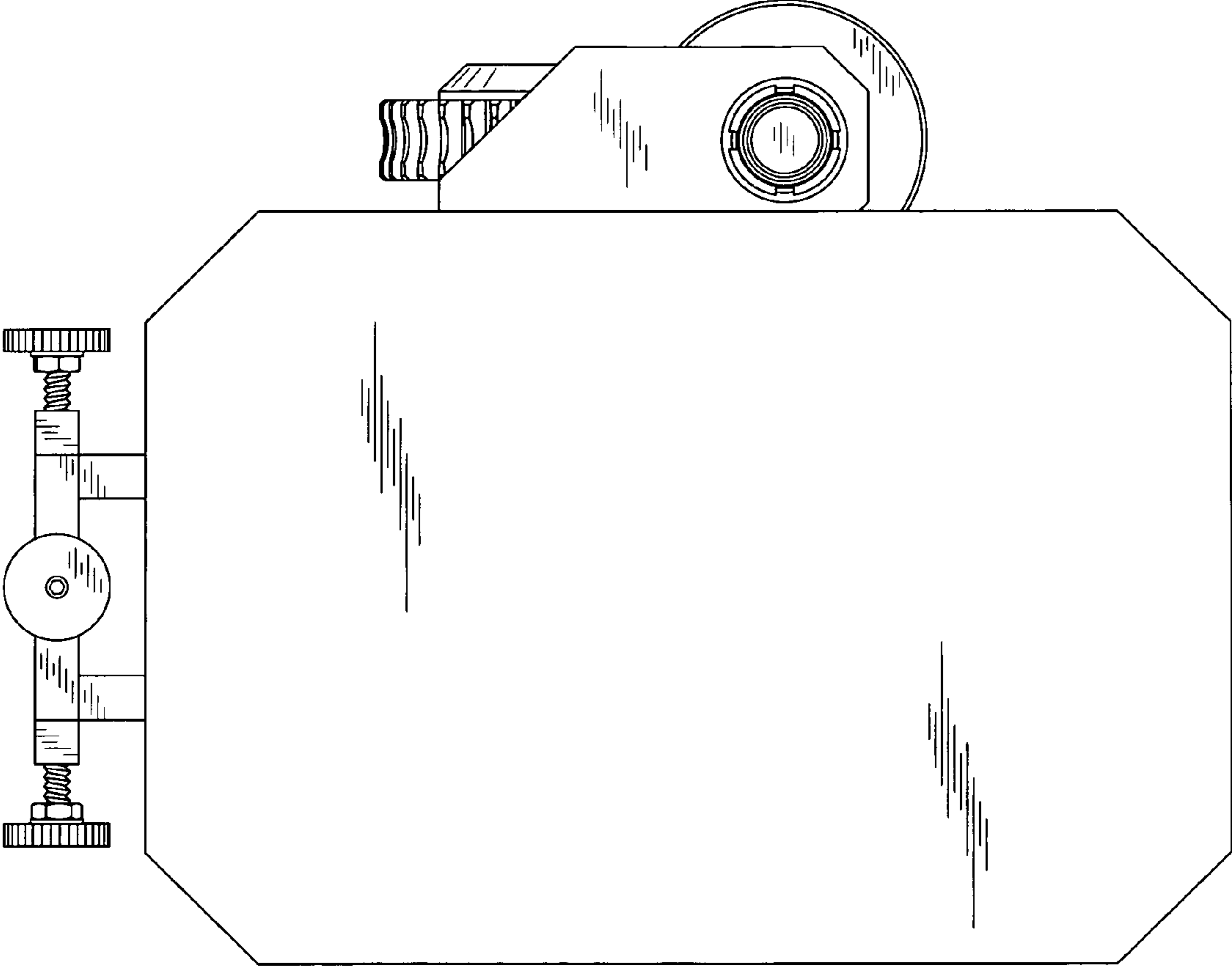
**Fig. 4**



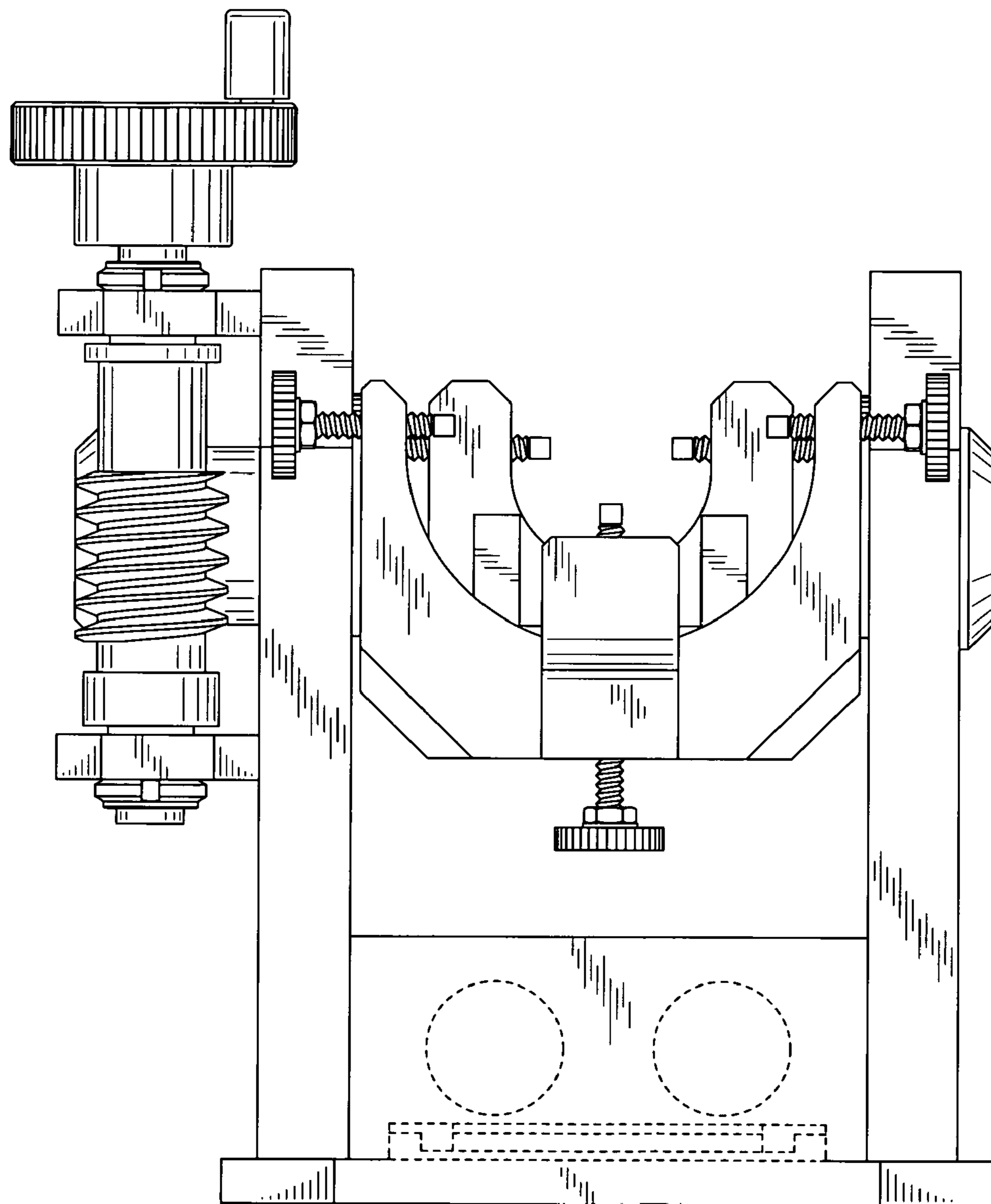
**Fig. 5**



**Fig. 6**

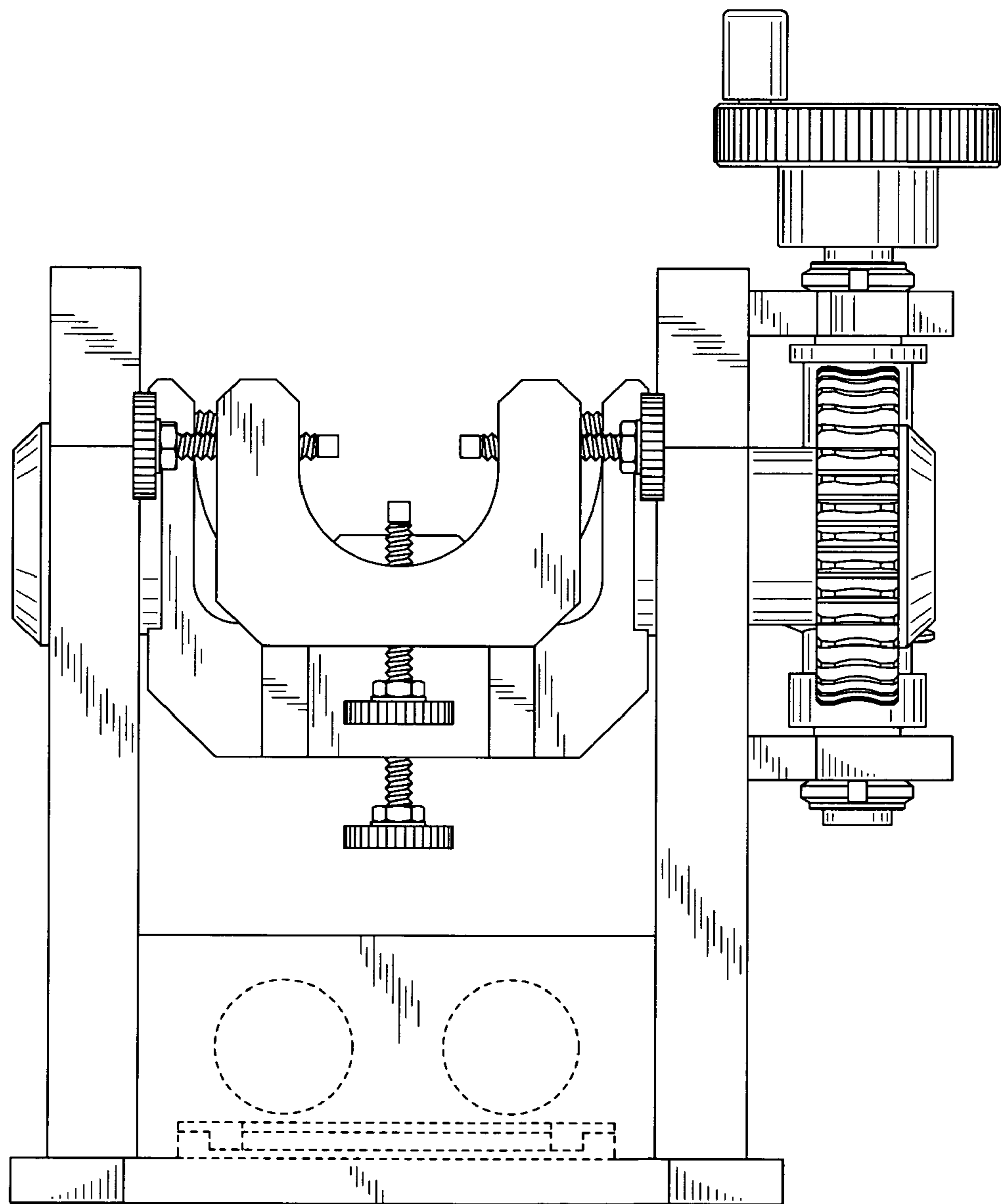


**Fig. 7**





**Fig. 8**



**Fig. 9**

