



US00D621218S

(12) **United States Design Patent**
Schutte

(10) **Patent No.:** **US D621,218 S**

(45) **Date of Patent:** **** Aug. 10, 2010**

(54) **STEAMER INSERT APPARATUS**

(76) Inventor: **William Christopher Schutte**, 849
Biscayne Way, Suwanee, GA (US) 30024

(**) Term: **14 Years**

(21) Appl. No.: **29/353,277**

(22) Filed: **Jan. 6, 2010**

(51) **LOC (9) Cl.** **07-02**

(52) **U.S. Cl.** **D7/409**

(58) **Field of Classification Search** D7/323,
D7/332, 334, 338, 352-361, 393-395, 402,
D7/407-410, 456, 688; 99/349, 396, 400,
99/422, 425-426, 444-447, 449-450; 126/1 R,
126/9 A, 9 B, 25 A, 25 R, 39 N, 39 K, 41 R,
126/332; 220/377, 573.1-573.3, 752-753,
220/755-759, 912

See application file for complete search history.

(56) **References Cited**

U.S. PATENT DOCUMENTS

2,986,138 A * 5/1961 Moore et al. 126/25 A
3,937,138 A * 2/1976 Tidwell 99/450
4,434,780 A * 3/1984 Hepner 126/9 B
4,688,543 A * 8/1987 Kopke 126/25 A

D341,523 S * 11/1993 Tiemann D7/688
D364,994 S * 12/1995 Tiemann D7/409
6,119,588 A * 9/2000 Tiemann 99/426
D577,256 S 9/2008 Schutte

* cited by examiner

Primary Examiner—Caron Veynar

Assistant Examiner—Ricky Pham

(74) *Attorney, Agent, or Firm*—George R. Reardon

(57) **CLAIM**

The ornamental design for a steamer insert apparatus, as shown and described.

DESCRIPTION

FIG. 1 is a perspective view of a steamer insert apparatus.

FIG. 2 is a top plan view of a steamer insert apparatus.

FIG. 3 is a front plan view of a steamer insert apparatus.

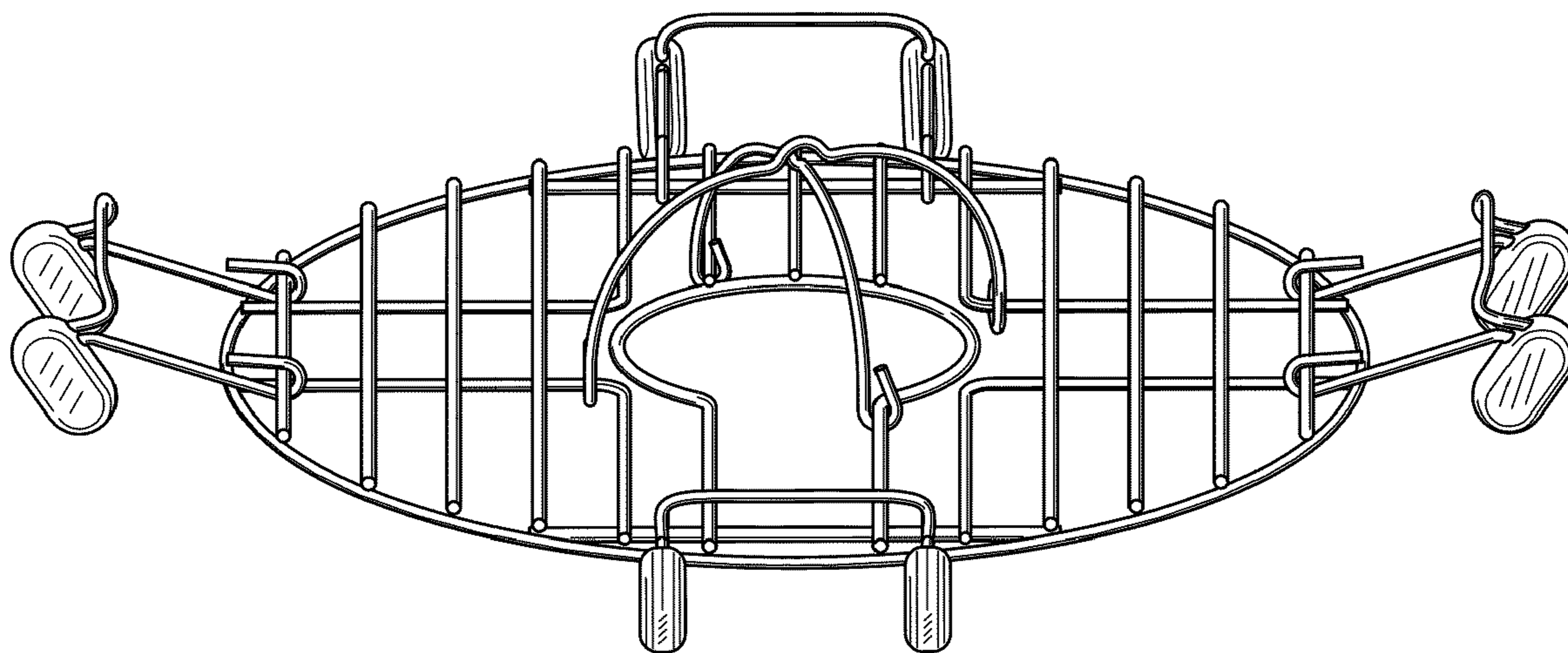
FIG. 4 is a rear plan view of a steamer insert apparatus.

FIG. 5 is a bottom plan view of a steamer insert apparatus.

FIG. 6 is a perspective view of a steamer insert apparatus, illustrating the central dome elements folded down; and,

FIG. 7 is a partial exploded view of a steamer insert apparatus, illustrating the handle insulators.

1 Claim, 7 Drawing Sheets



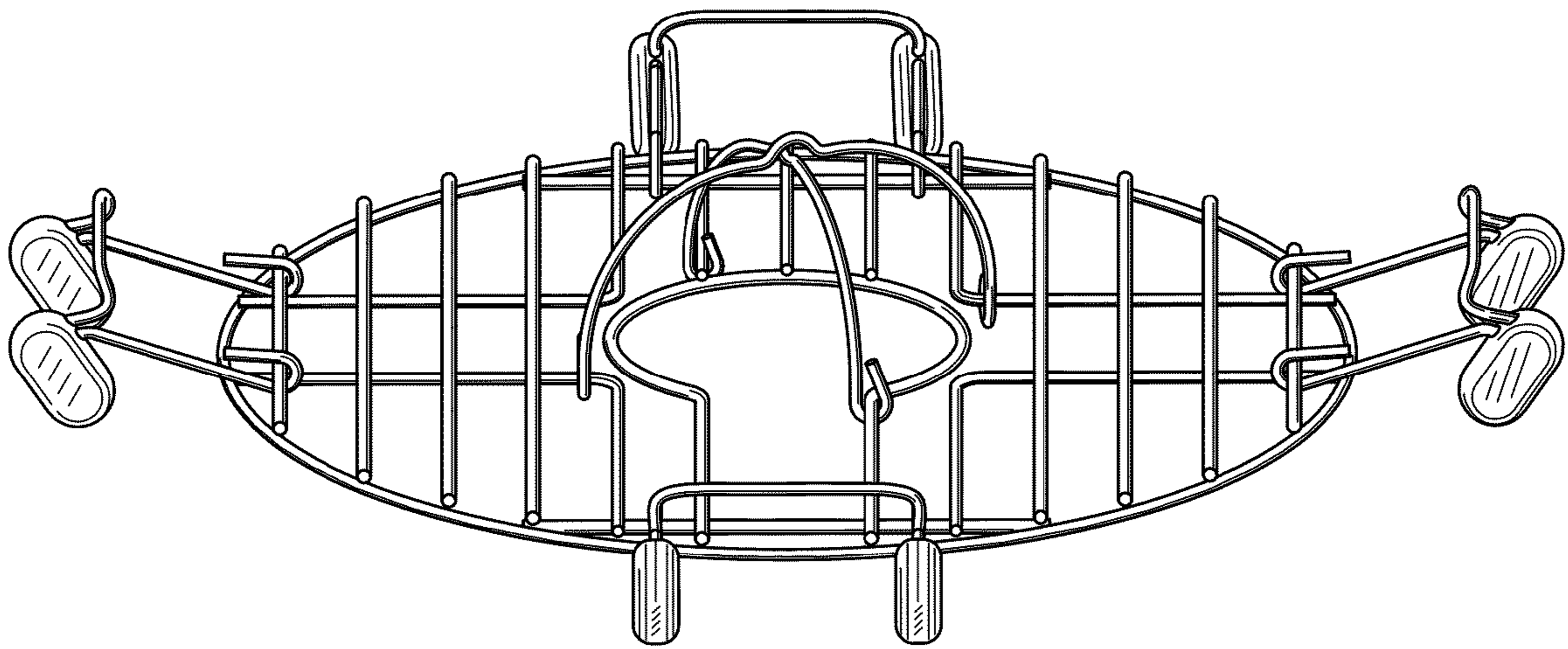


FIG. 1

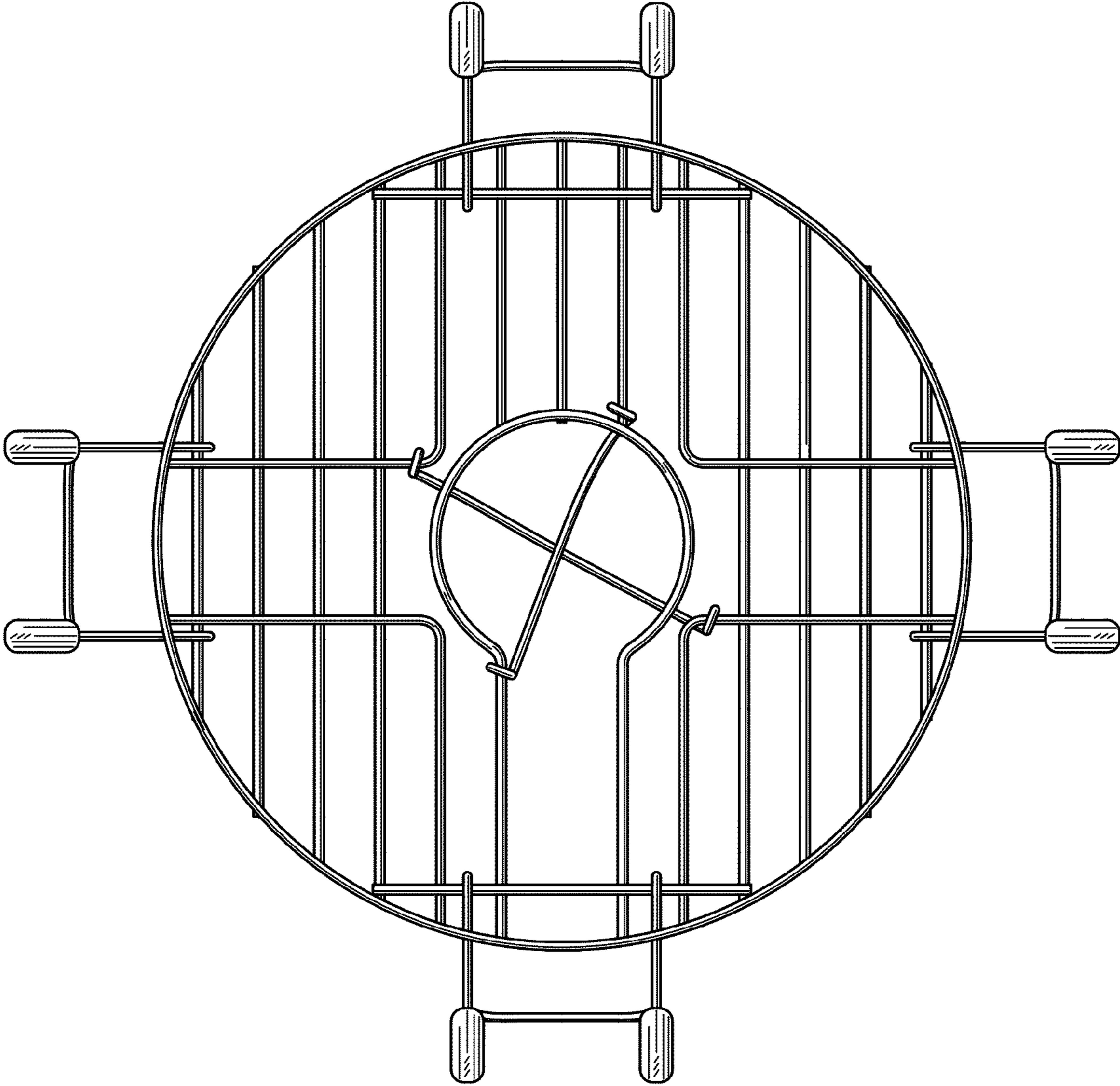


FIG. 2

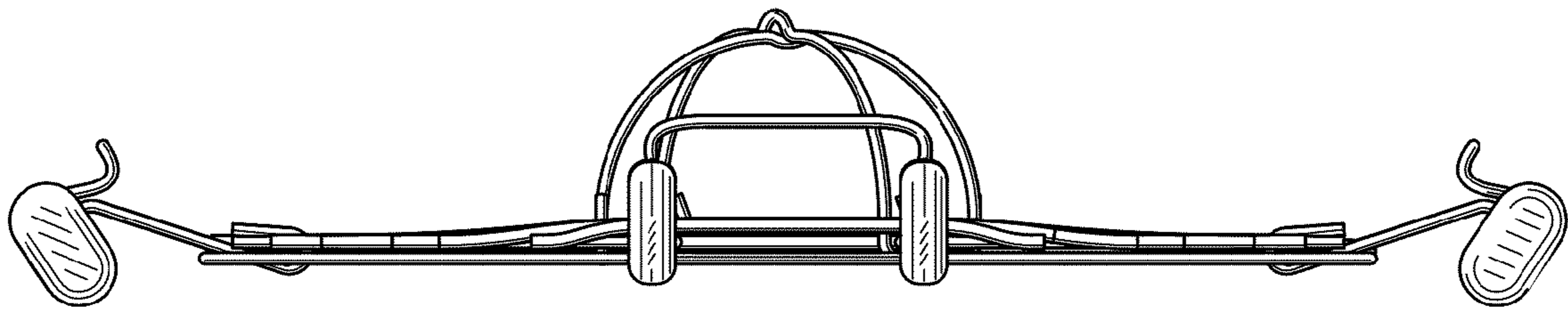


FIG. 3

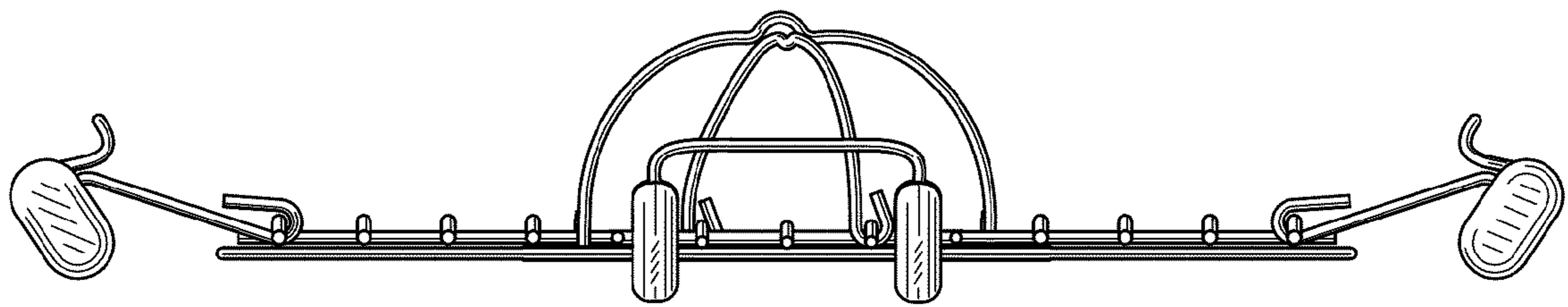


FIG. 4

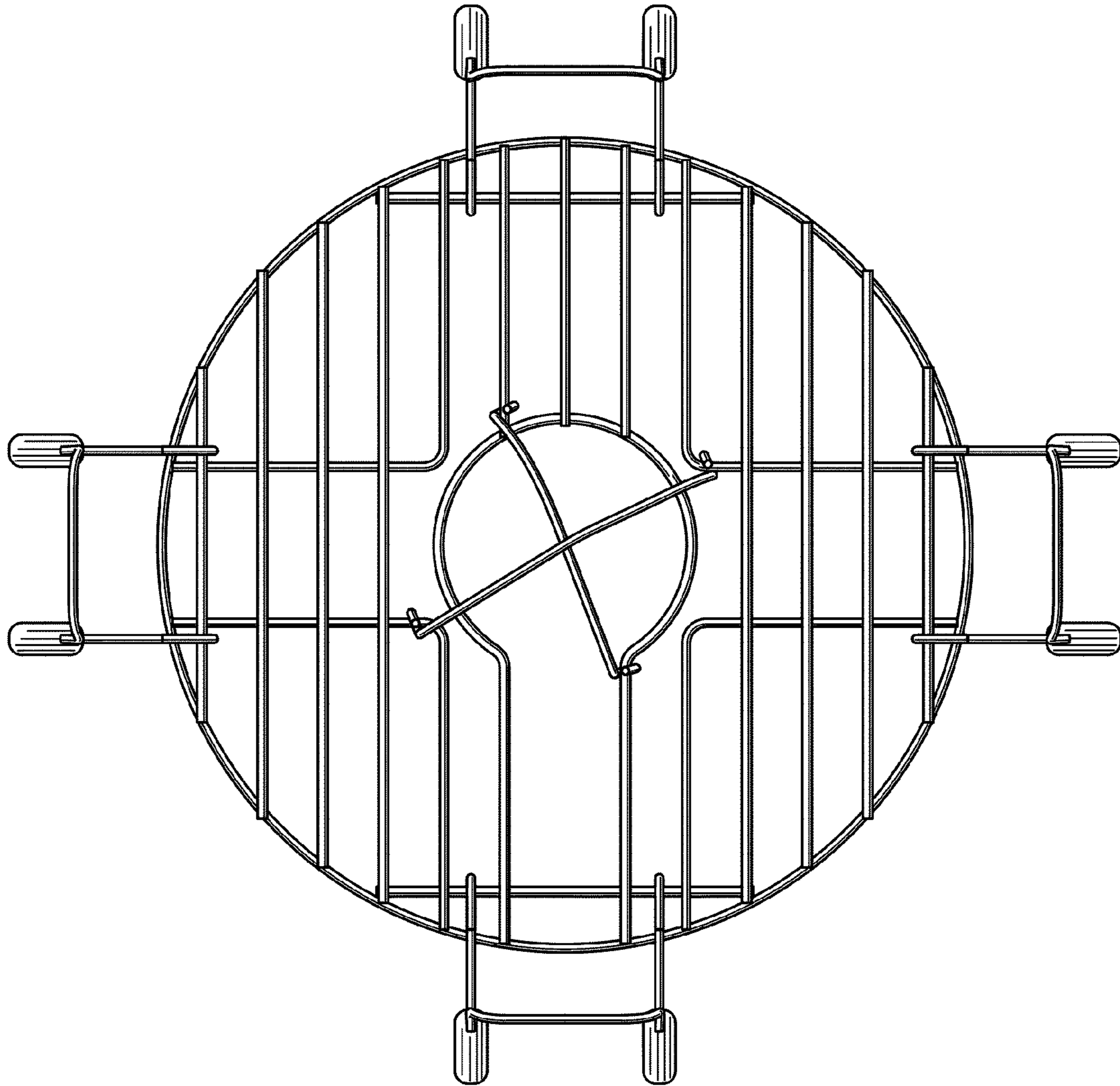


FIG. 5

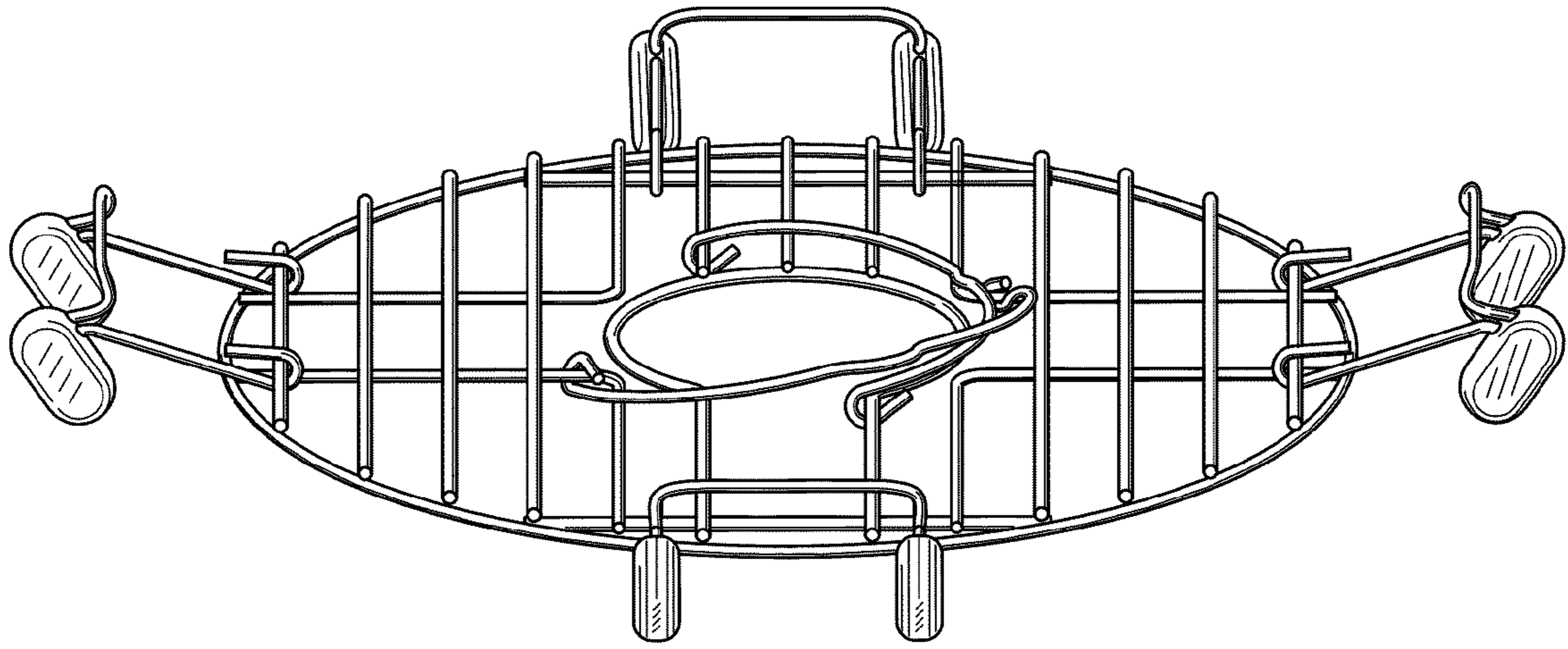


FIG. 6

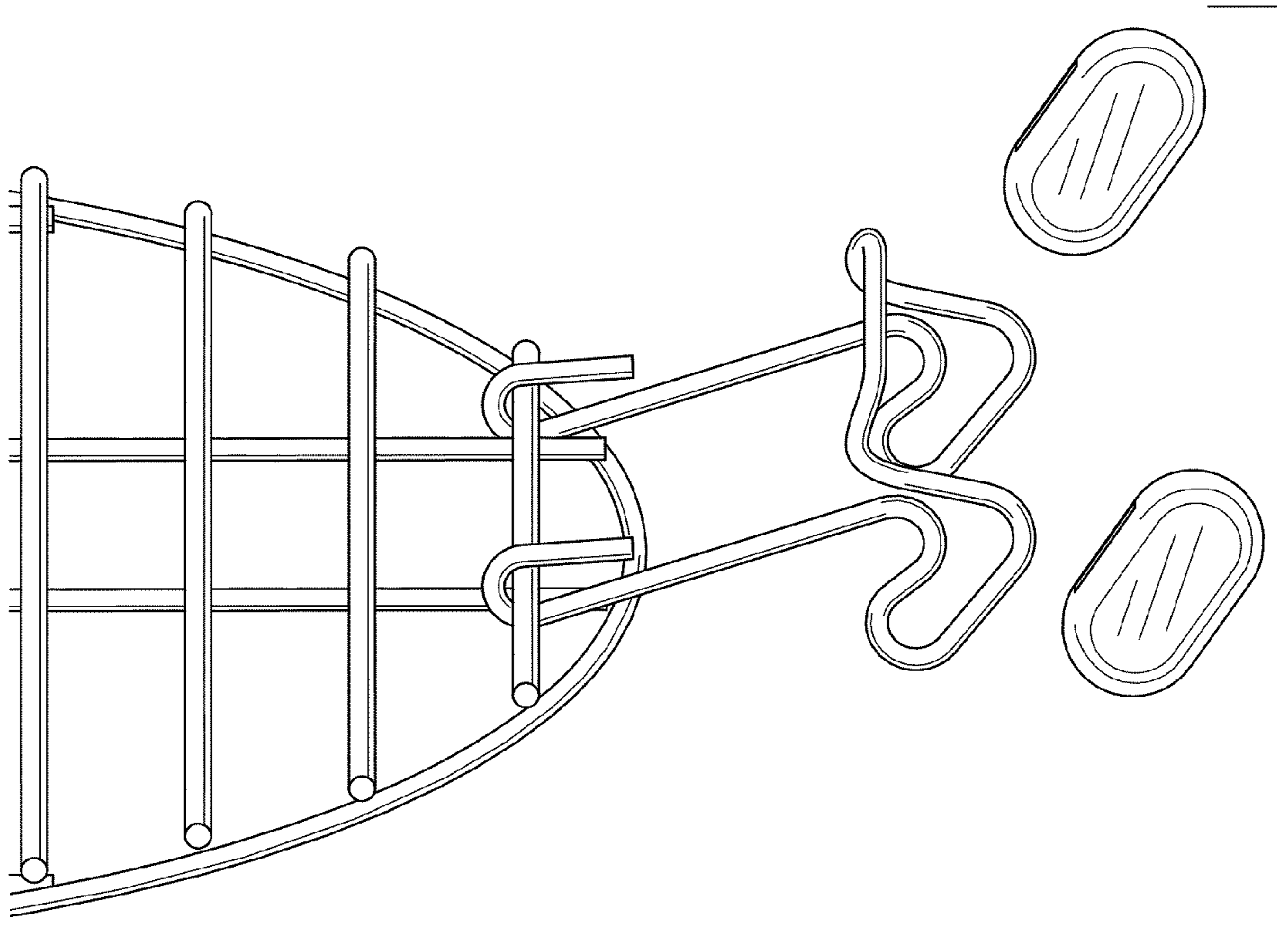


FIG. 7