



US00D621216S

(12) **United States Design Patent**  
**Bruno et al.**

(10) **Patent No.:** **US D621,216 S**  
(45) **Date of Patent:** **\*\* Aug. 10, 2010**

(54) **SIDE TABLE FOR GRILL**

(75) Inventors: **Adrian A. Bruno**, Rolling Meadows, IL (US); **Charles Choi**, Chicago, IL (US); **Sonny Siazon**, Woodstock, IL (US)

(73) Assignee: **Weber-Stephen Products Co.**, Palatine, IL (US)

(\*\*) Term: **14 Years**

(21) Appl. No.: **29/346,760**

(22) Filed: **Nov. 5, 2009**

**Related U.S. Application Data**

(63) Continuation-in-part of application No. 29/344,963, filed on Oct. 7, 2009.

(51) **LOC (9) Cl.** ..... **07-02**

(52) **U.S. Cl.** ..... **D7/406**

(58) **Field of Classification Search** ..... D7/332, D7/334-337, 402-405; 99/339, 449, 450, 99/482; 126/25 R, 9 R, 41 R, 50, 276, 304 A, 126/268; D6/511, 574; 211/90.01; 248/129, 248/150-151  
See application file for complete search history.

(56) **References Cited**

**U.S. PATENT DOCUMENTS**

- 3,538,906 A 11/1970 Heraty et al.
- D298,406 S \* 11/1988 Stephen et al. .... D7/402
- 5,027,788 A 7/1991 Schlosser et al.
- D325,838 S \* 5/1992 Lamprey ..... D6/574
- 5,299,553 A 4/1994 Giebel et al.
- D361,466 S \* 8/1995 Peterson et al. .... D7/334
- D362,370 S \* 9/1995 Wiese ..... D7/402
- D375,436 S \* 11/1996 Bird et al. .... D7/403
- D377,734 S \* 2/1997 Bird et al. .... D7/402
- D388,658 S \* 1/1998 Dutczak ..... D7/403
- D428,291 S \* 7/2000 Koncar ..... D6/574
- D428,303 S \* 7/2000 Wagner et al. .... D7/403
- D436,004 S \* 1/2001 Wagner ..... D7/402
- D447,002 S \* 8/2001 Pai ..... D7/403

- D451,759 S \* 12/2001 Joss et al. .... D7/402
- D454,753 S \* 3/2002 Pai ..... D7/402
- D459,142 S \* 6/2002 Wu ..... D7/334
- D459,938 S \* 7/2002 Pai ..... D7/334
- D460,658 S \* 7/2002 Wu ..... D7/334
- D462,234 S \* 9/2002 Alden et al. .... D7/402
- 6,474,327 B1 11/2002 Bossler et al.
- D466,359 S \* 12/2002 Bossler et al. .... D7/334
- 6,591,830 B2 \* 7/2003 Wu ..... 126/25 R
- D485,116 S \* 1/2004 Kwok ..... D7/334
- 6,684,876 B2 2/2004 Bossler et al.
- D488,026 S \* 4/2004 Tseng ..... D7/403
- D499,600 S \* 12/2004 Bossler ..... D7/335
- D516,860 S \* 3/2006 Nipke ..... D7/403
- D516,861 S \* 3/2006 Nipke ..... D7/403

(Continued)

**OTHER PUBLICATIONS**

Weber Performer Owner's Guide #78763 published in the US on Feb. 13, 2008.

*Primary Examiner*—Ruth McInroy

(74) *Attorney, Agent, or Firm*—Baker & McKenzie LLP; David I. Roche; Daniel A. Tallitsch

(57) **CLAIM**

The ornamental design for a side table for grill, as shown and described.

**DESCRIPTION**

FIG. 1 is a perspective view of a side table for grill embodying the invention;

FIG. 2 is a second perspective view thereof;

FIG. 3 is a top view thereof;

FIG. 4 is a front view thereof;

FIG. 5 is right side view thereof;

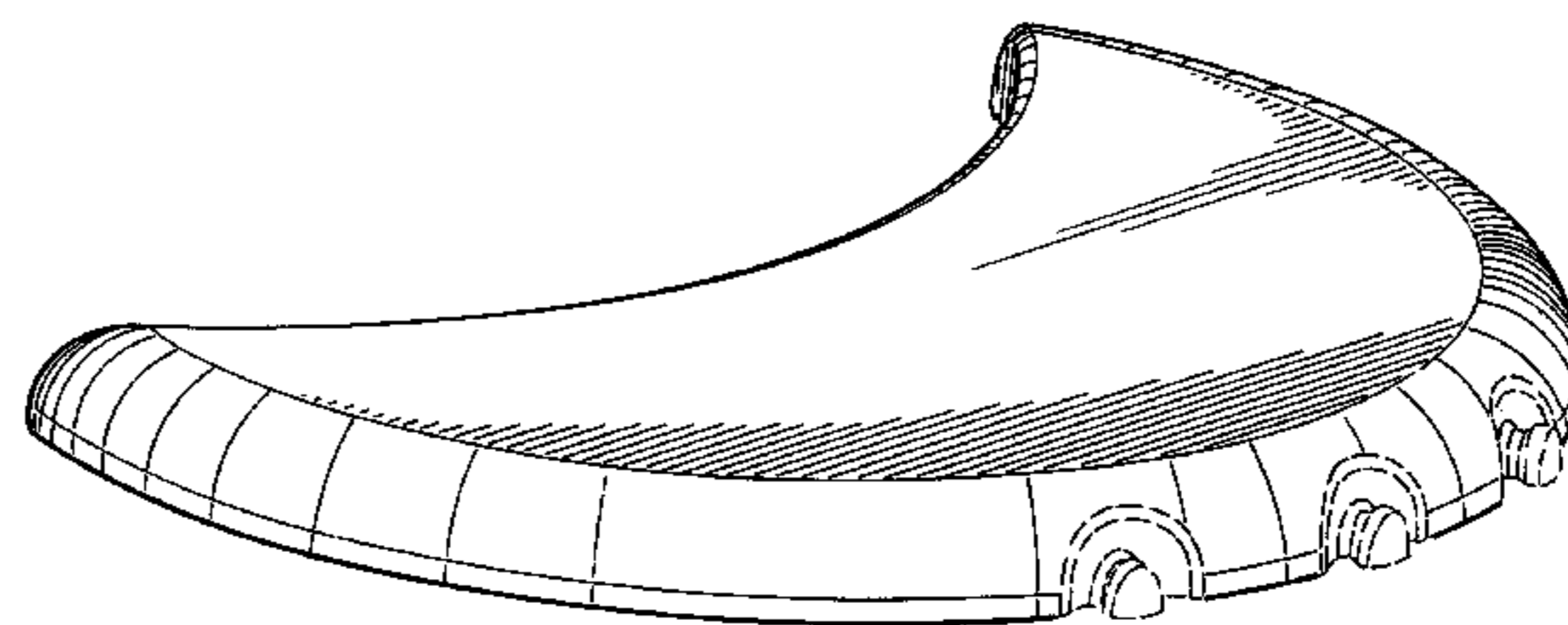
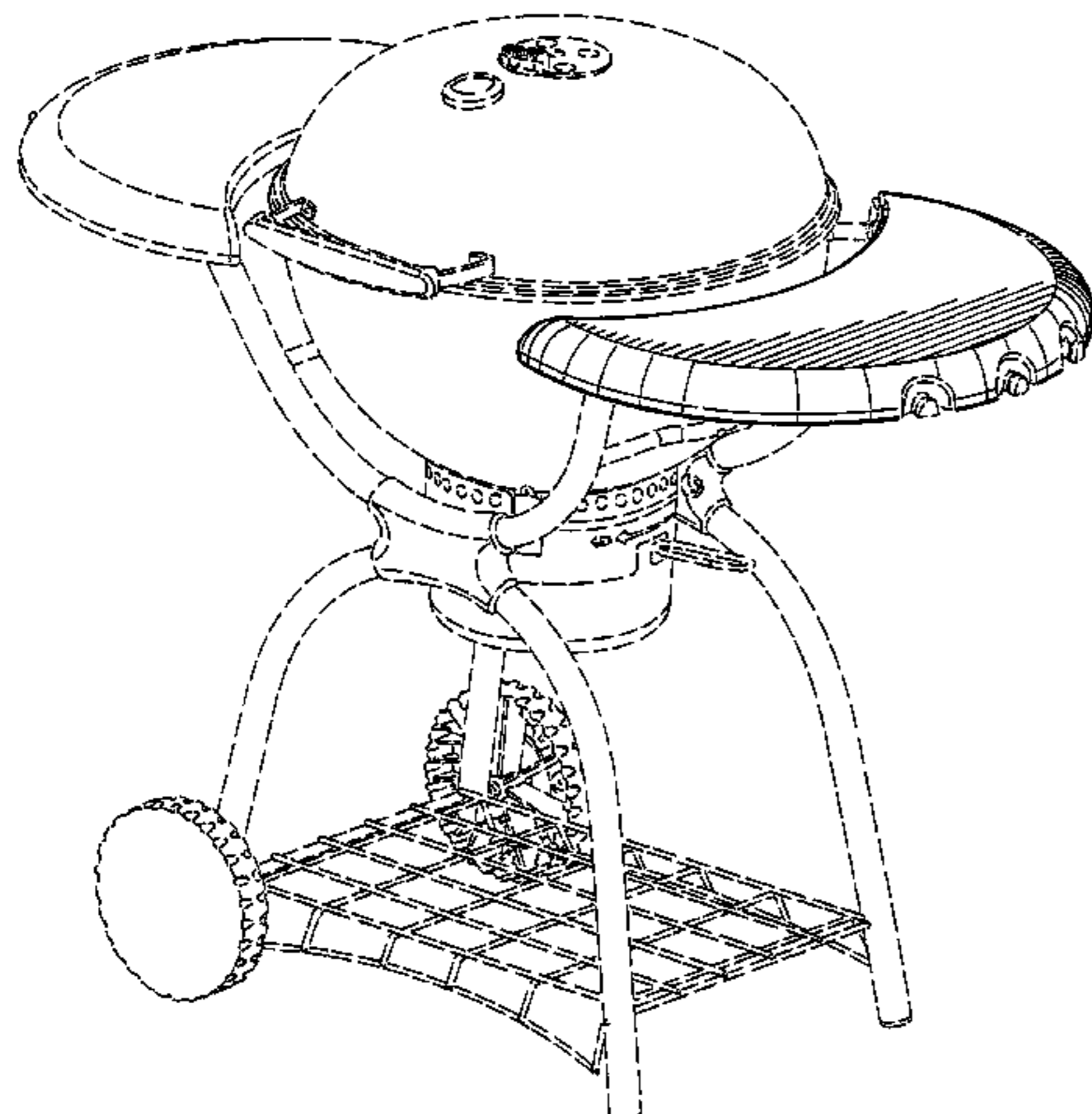
FIG. 6 is a rear view thereof;

FIG. 7 is a left side view thereof; and,

FIG. 8 is a bottom view thereof.

The details shown in broken lines form no part of the claimed design.

**1 Claim, 5 Drawing Sheets**



# US D621,216 S

Page 2

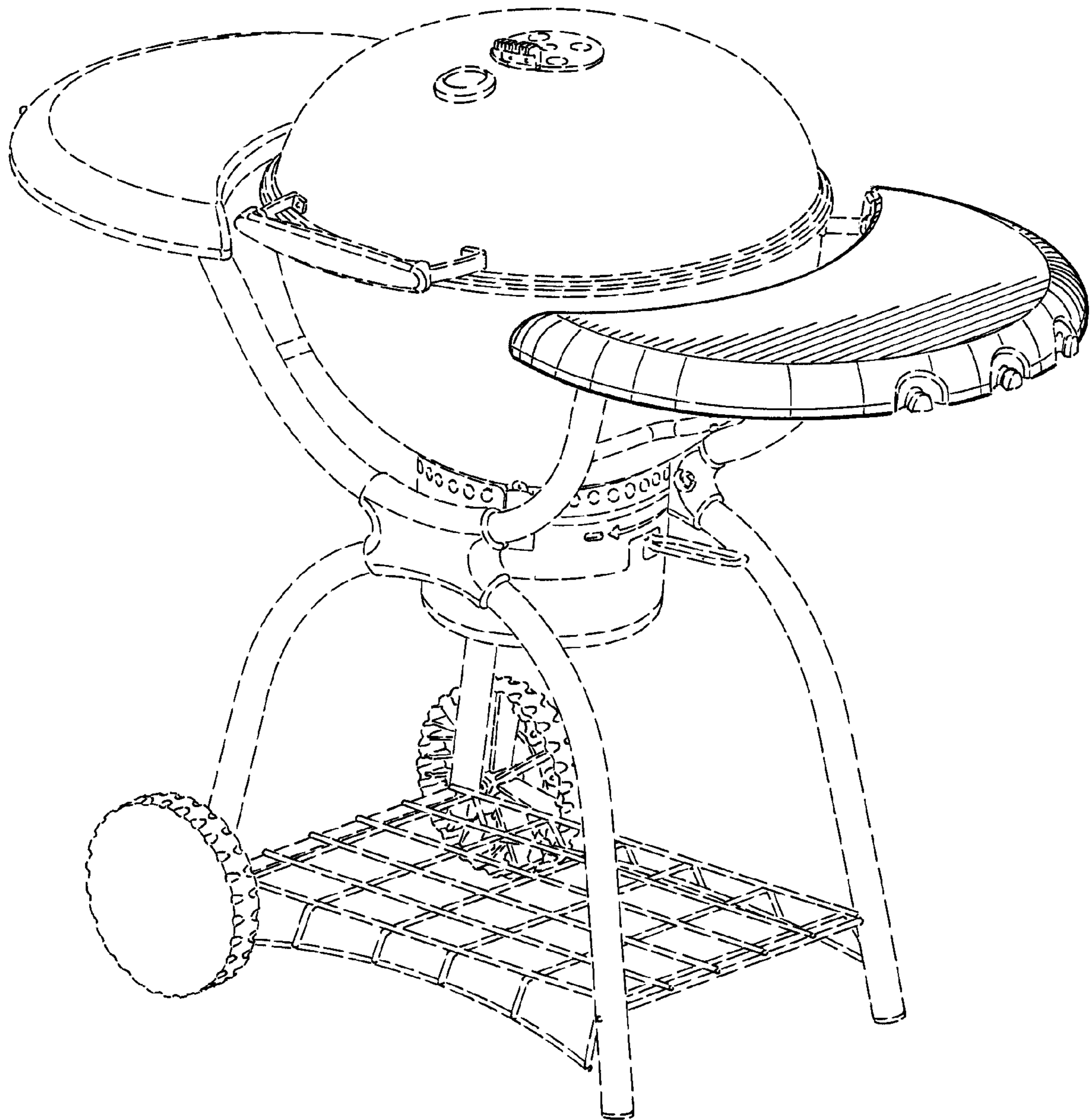
---

## U.S. PATENT DOCUMENTS

D517,368 S *	3/2006	Nipke .....	D7/403	D580,221 S *	11/2008	McKenzie .....	D7/402
D541,588 S *	5/2007	McKenzie .....	D7/402	D604,539 S *	11/2009	Kennedy et al. ....	D6/511
7,328,696 B2 *	2/2008	Rodriguez .....	126/50	2002/0078944 A1 *	6/2002	Cozzolino et al. ....	126/41 R
D566,463 S *	4/2008	Chung .....	D7/402	2005/0252504 A1 *	11/2005	Cabrera et al. ....	126/50
				2006/0137676 A1 *	6/2006	Barker et al. ....	126/25 R

\* cited by examiner

**FIG. 1**



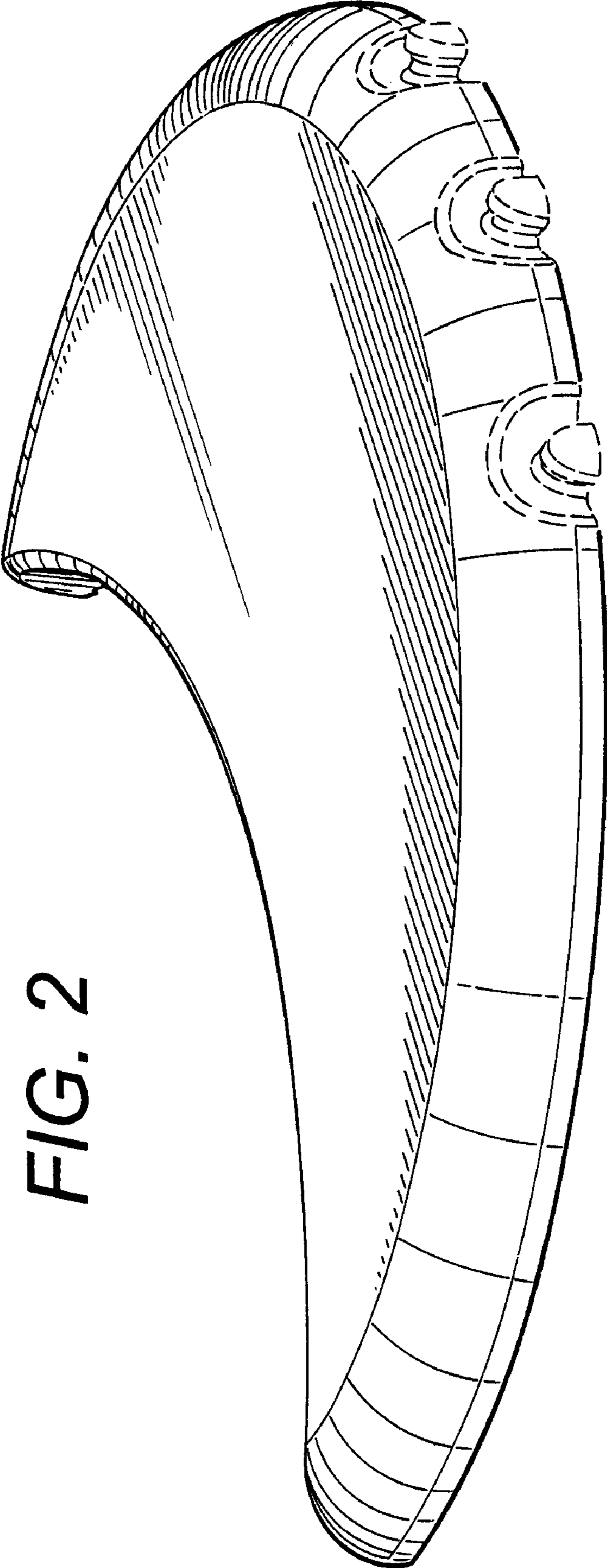
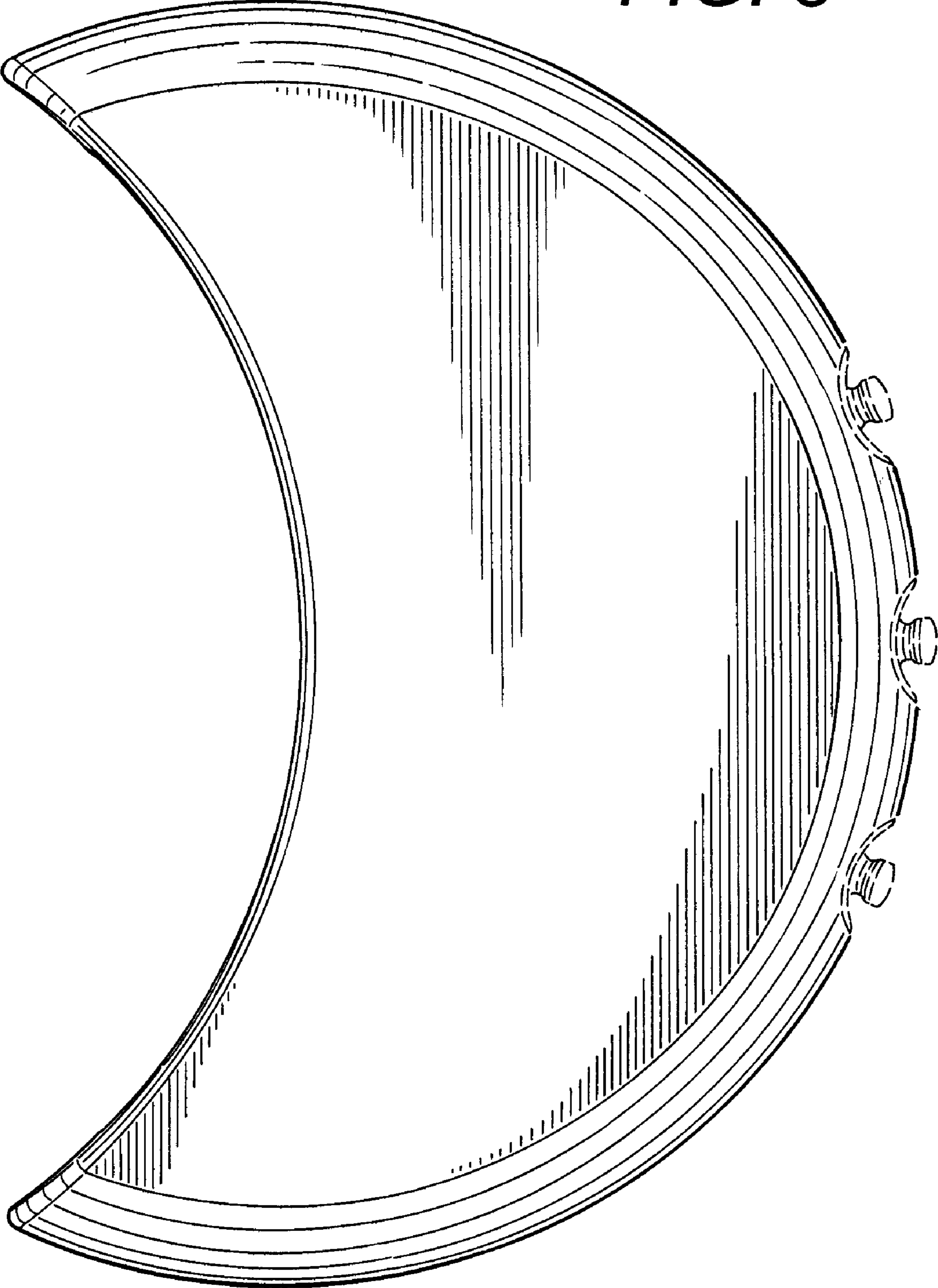


FIG. 2

*FIG. 3*



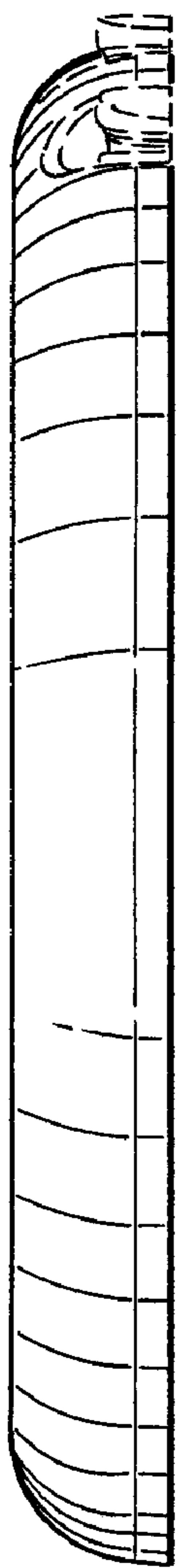


FIG. 4



FIG. 5

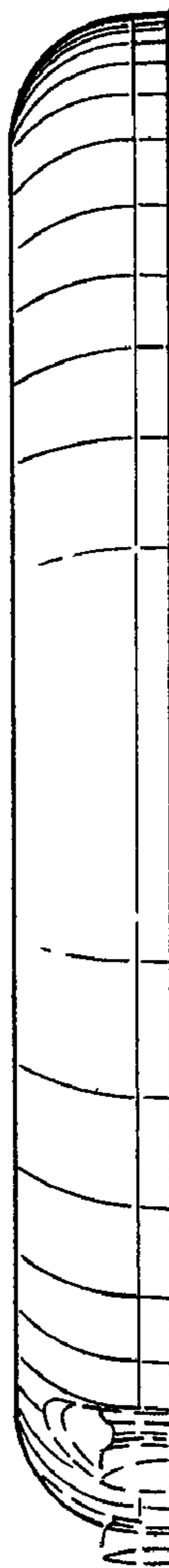


FIG. 6



FIG. 7

**FIG. 8**

