

US00D621209S

(12) **United States Design Patent**
Takagi et al.

(10) **Patent No.:** **US D621,209 S**

(45) **Date of Patent:** **** Aug. 10, 2010**

(54) **DECANTING CRADLE**

4,874,156 A * 10/1989 Goldzweig 269/158

(75) Inventors: **Chikara Takagi**, Hashima (JP);
Yasunori Ozeki, Hashima (JP)

* cited by examiner

Primary Examiner—Marianne Pandozzi

(73) Assignee: **Fuji Shoji, Ltd.**, Gifu-ken (JP)

(74) *Attorney, Agent, or Firm*—Posz Law Group, PLC

(**) Term: **14 Years**

(57) **CLAIM**

(21) Appl. No.: **29/347,225**

The ornamental design for a decanting cradle, as shown and described.

(22) Filed: **Nov. 3, 2009**

DESCRIPTION

(51) **LOC (9) Cl.** **07-99**

This application is also related to concurrently filed U.S. application, which is also entitled Decanting Cradle, Ser. No. 29/347,224.

(52) **U.S. Cl.** **D7/397; D7/213; D8/73**

(58) **Field of Classification Search** D7/669,
D7/213, 388, 387, 397, 300, 621, 619.1;
222/166; 248/141, 328.3, 321; D8/73, 74;
269/45, 93

FIG. 1 is a front perspective view of a decanting cradle showing our new design;

See application file for complete search history.

FIG. 2 is a rear perspective view thereof;

(56) **References Cited**

U.S. PATENT DOCUMENTS

2,606,583	A *	8/1952	O'Connor	269/93
3,039,195	A *	6/1962	Litty	33/404
3,868,047	A *	2/1975	Bersano	222/166
3,934,316	A *	1/1976	Driscoll	24/486
D257,935	S *	1/1981	Allan	D7/621
D261,345	S *	10/1981	Koeppel et al.	D7/621
D262,085	S *	12/1981	Petley	D7/621
4,317,551	A *	3/1982	Bishop	248/141
4,607,829	A *	8/1986	Suska	269/88
4,747,590	A *	5/1988	Yang	269/45

FIG. 3 is a front elevational view thereof;

FIG. 4 is a rear elevational view thereof;

FIG. 5 is a top plan view thereof;

FIG. 6 is a bottom plan view thereof;

FIG. 7 is a right side elevational view thereof;

FIG. 8 is a left side elevational view thereof; and,

FIG. 9 is an in use perspective view thereof.

The broken lines are shown for illustrative purposes only and form no part of the claimed design.

1 Claim, 9 Drawing Sheets

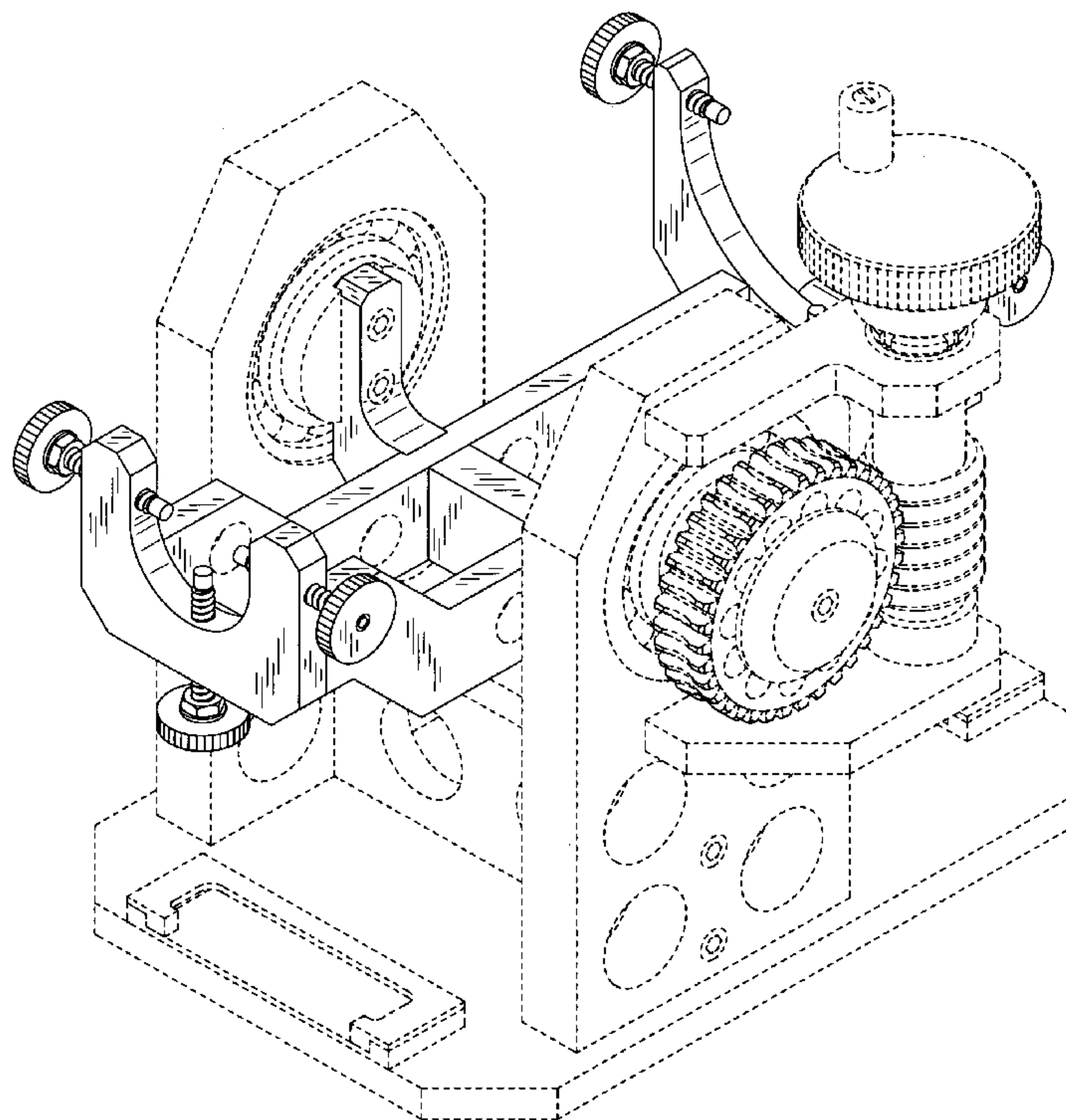


Fig. 1

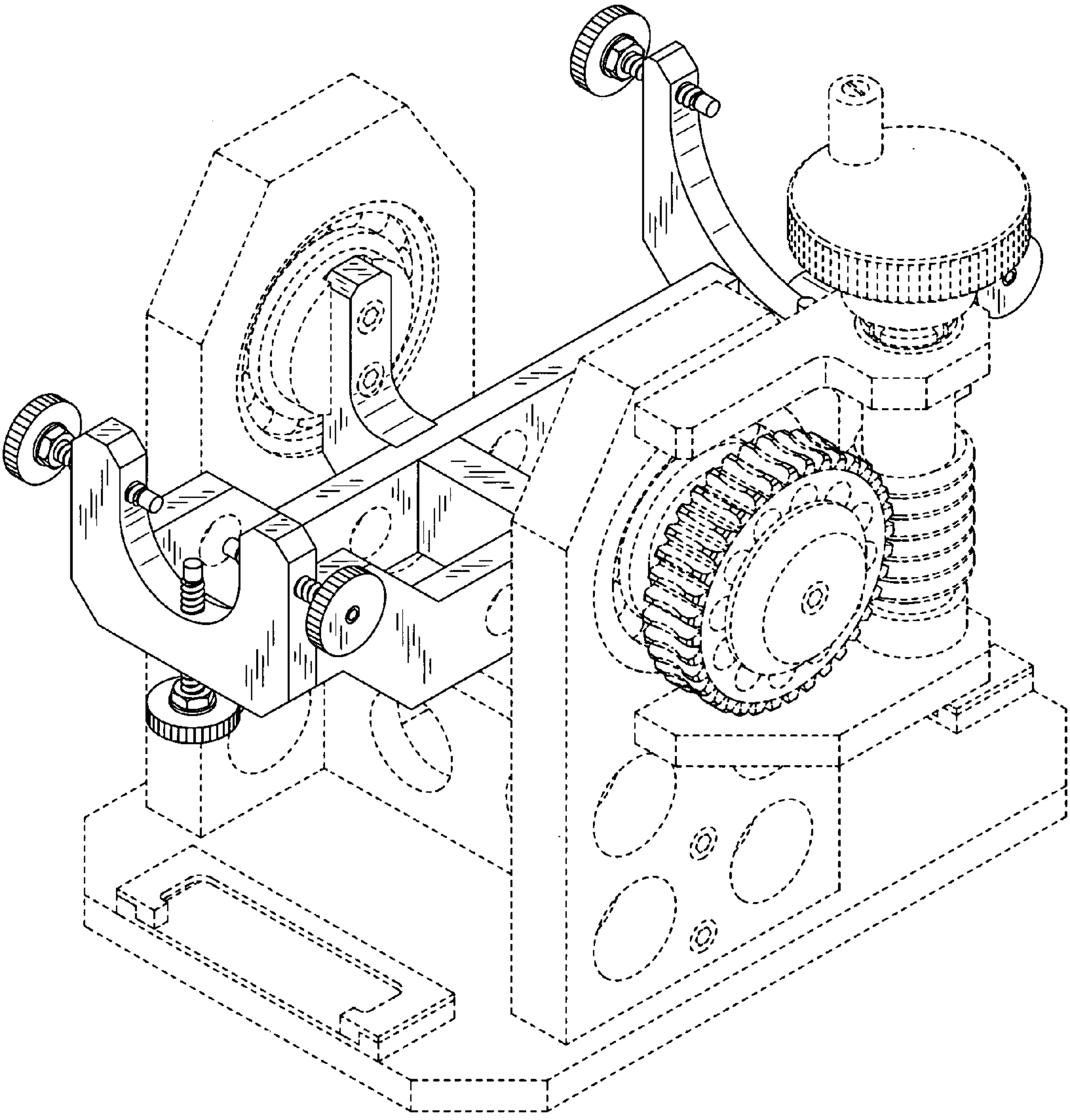


Fig. 2

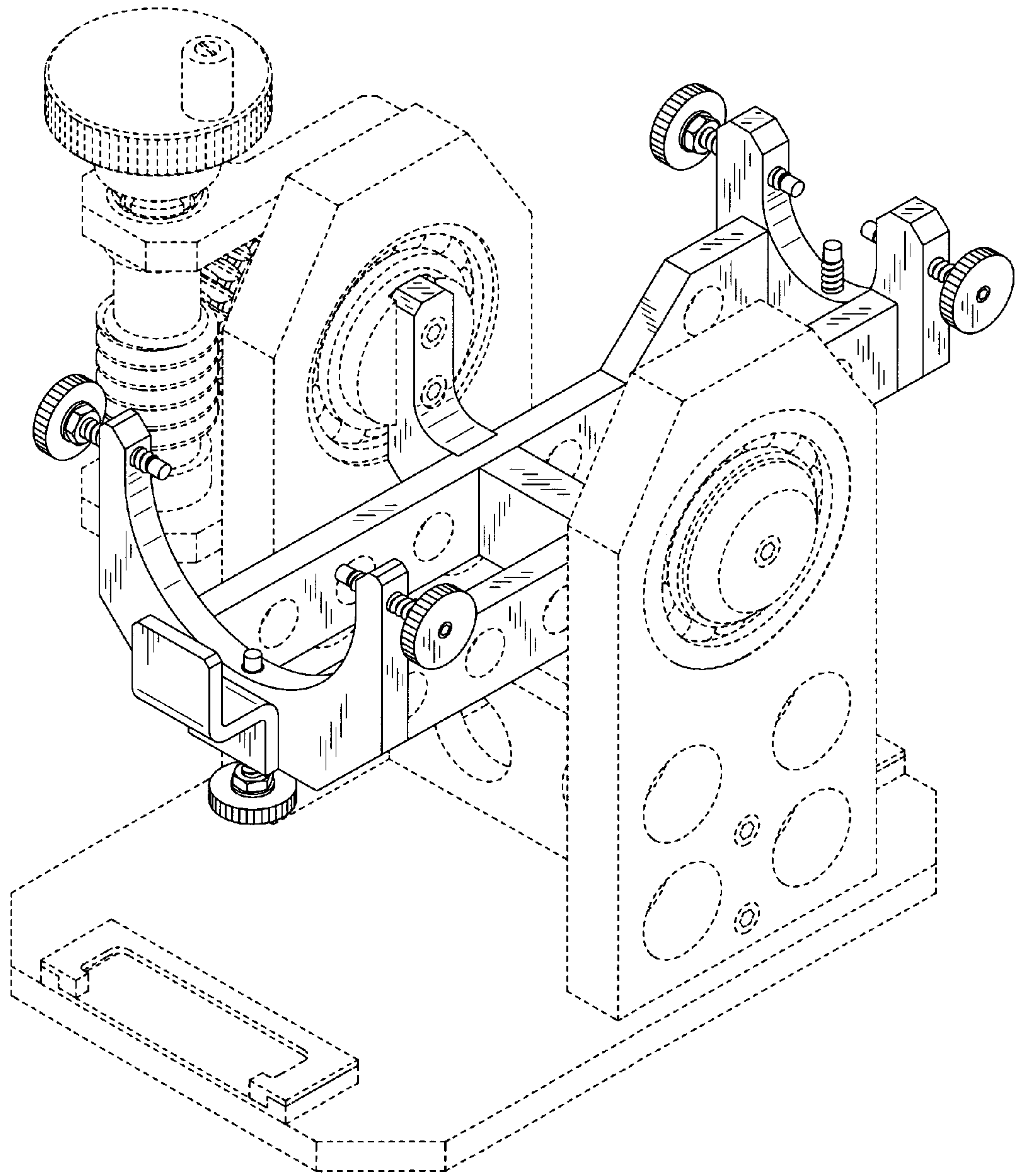


Fig. 3

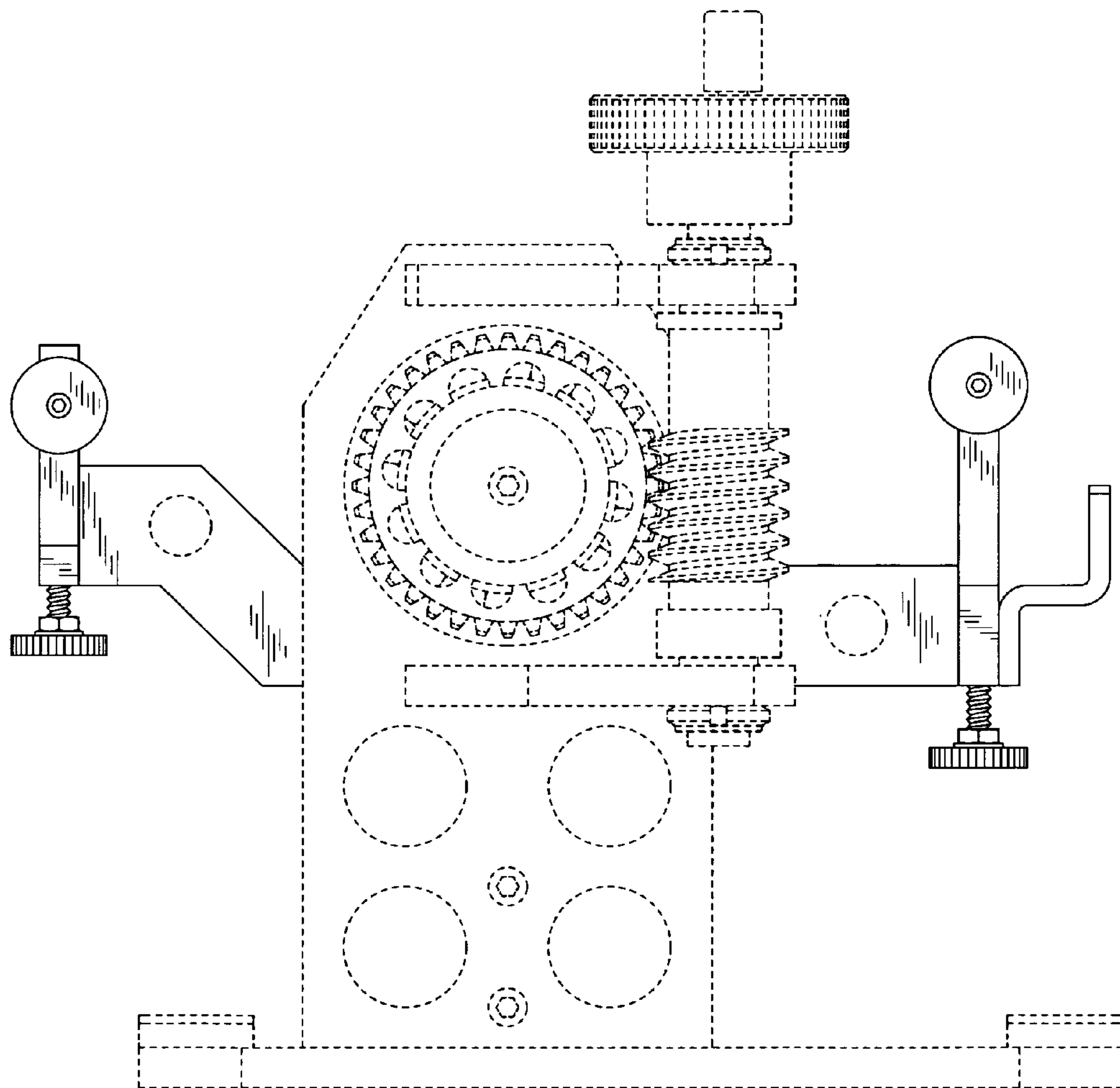


Fig. 4

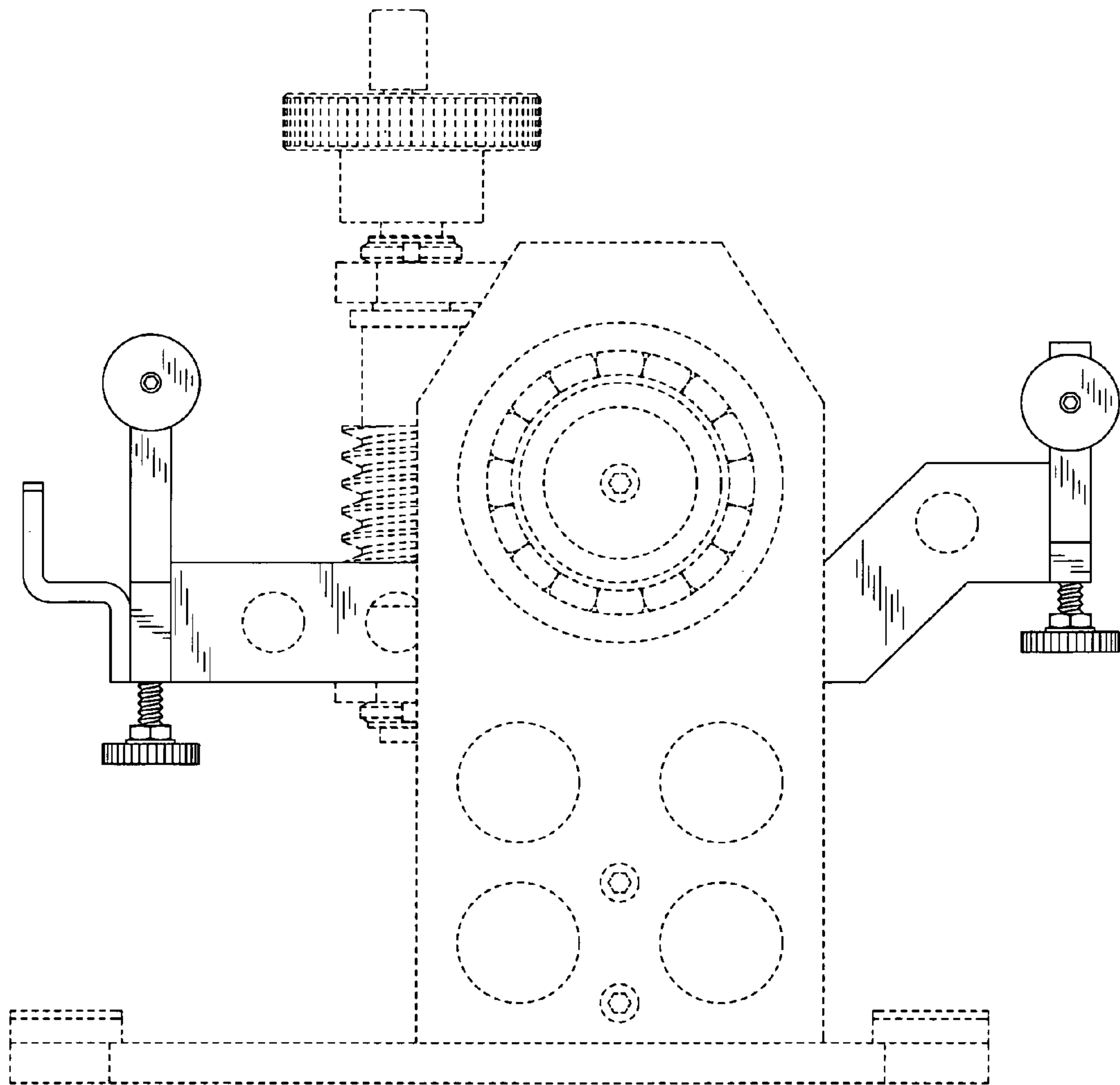


Fig. 5

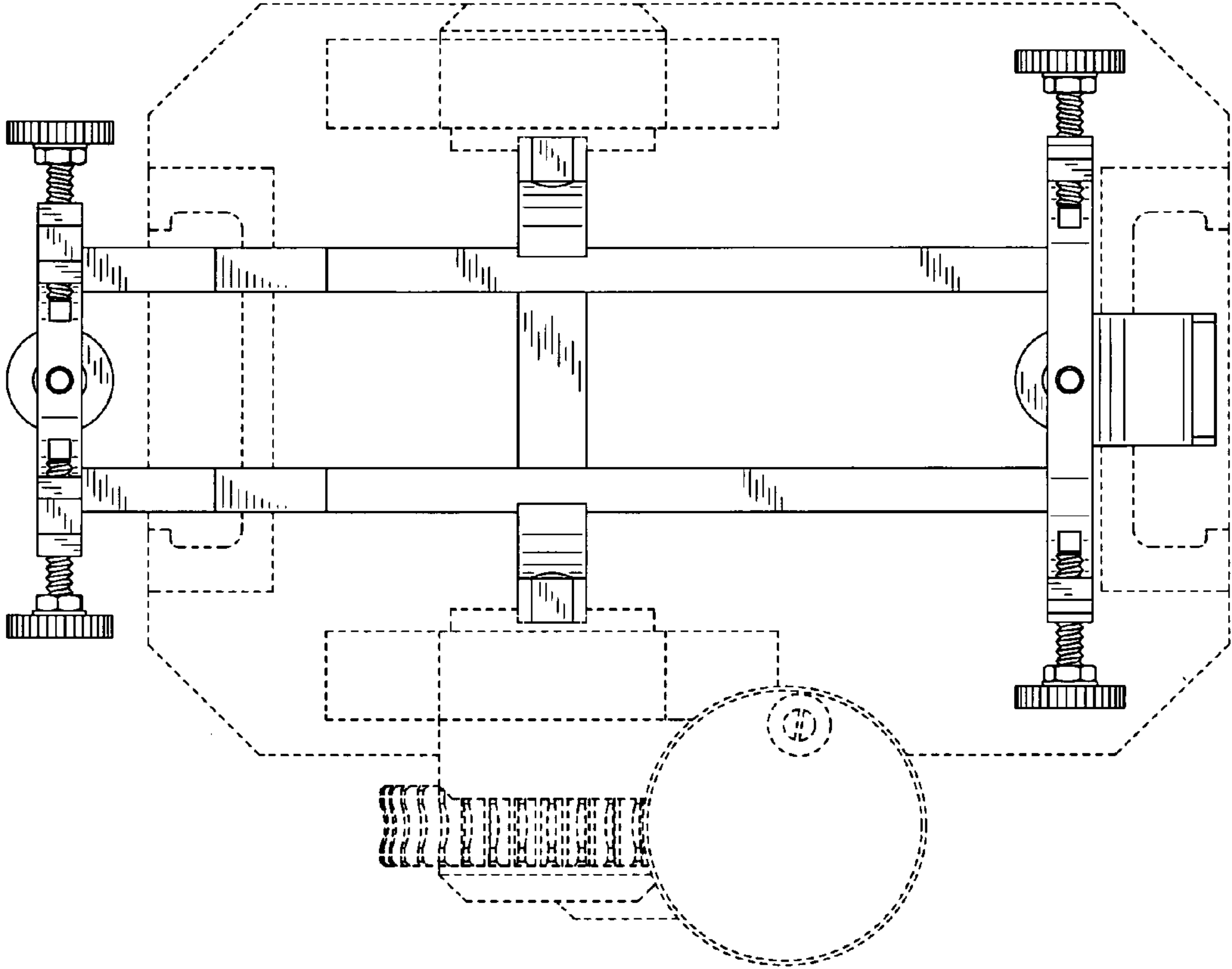


Fig. 6

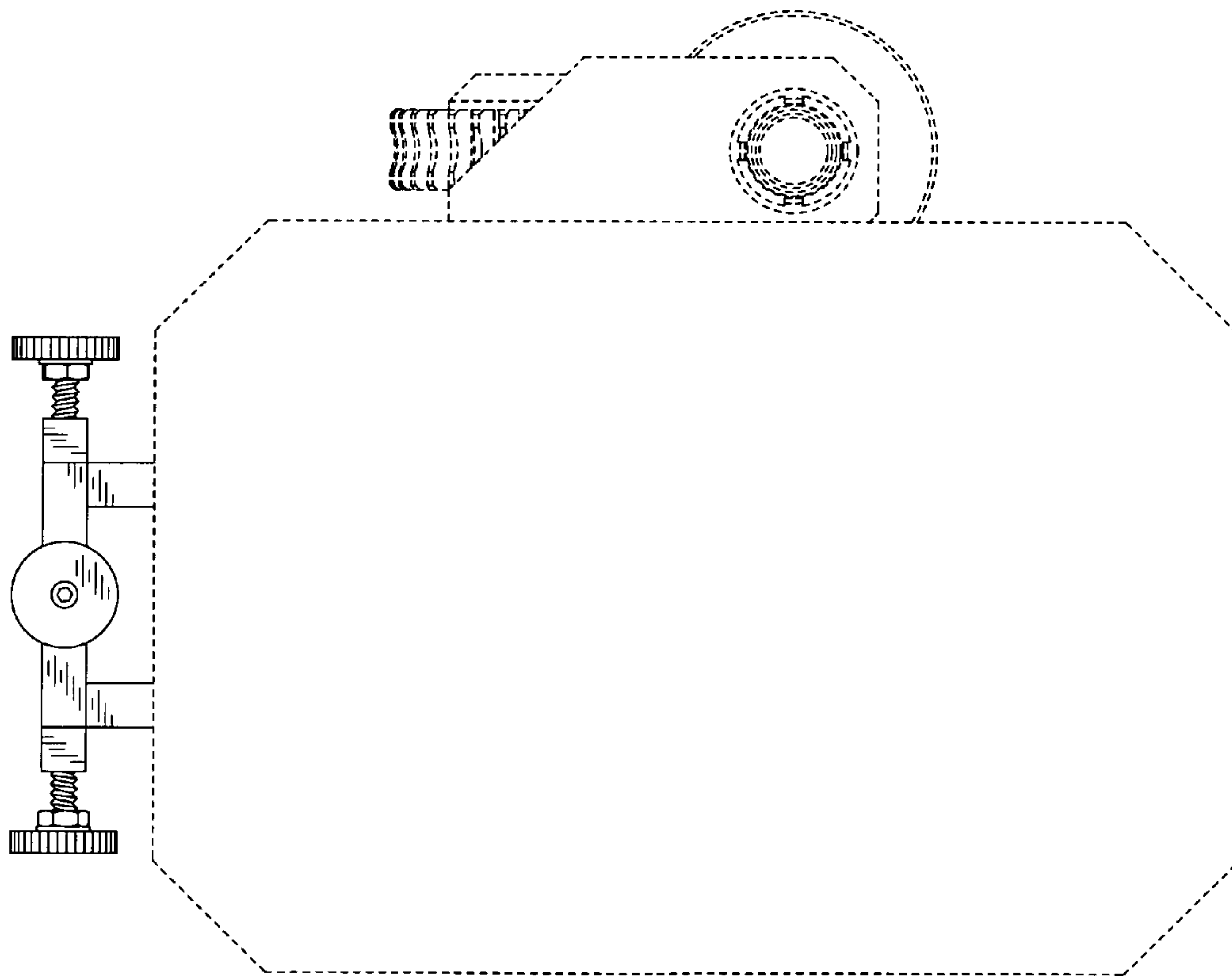


Fig. 7

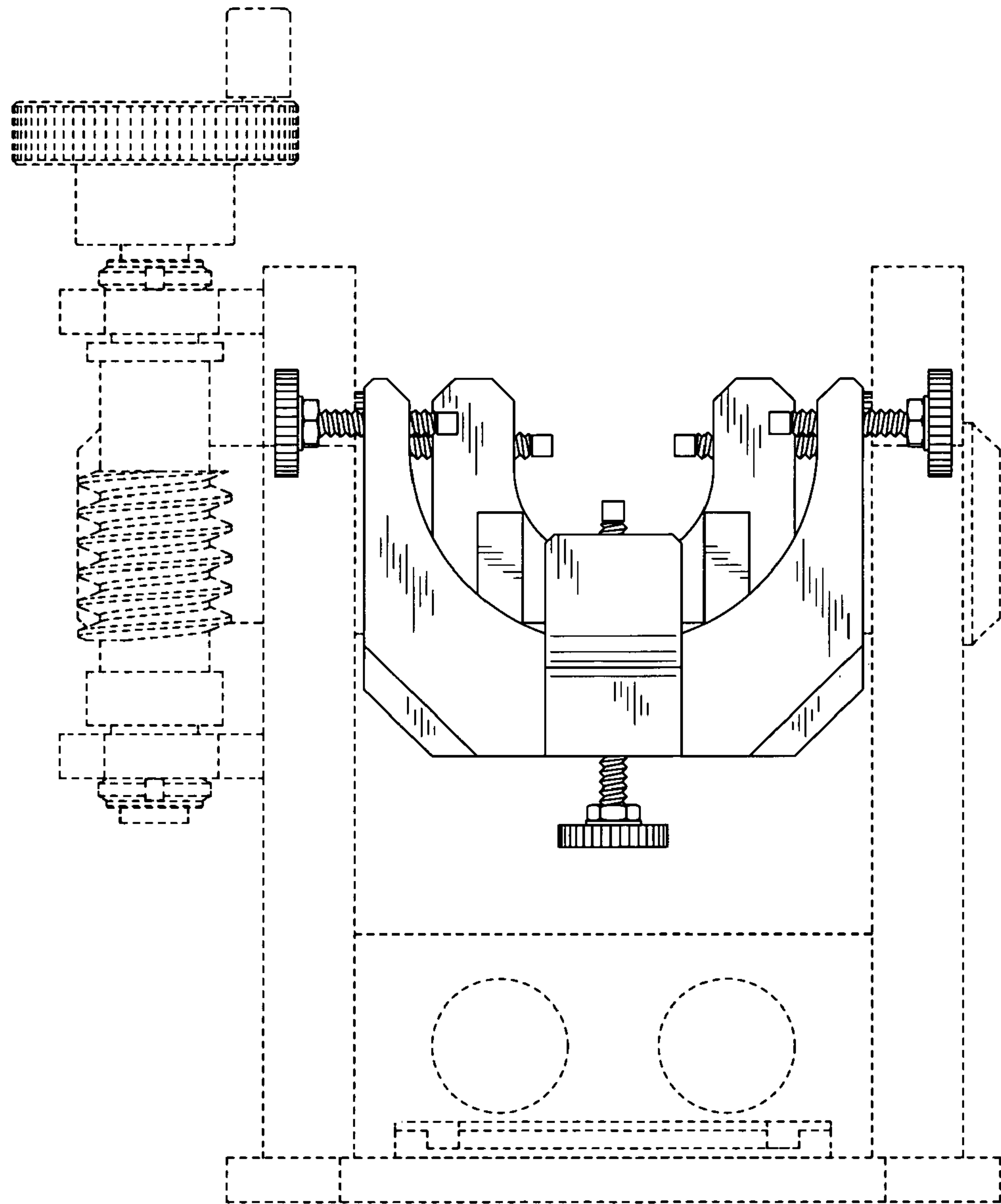


Fig. 8

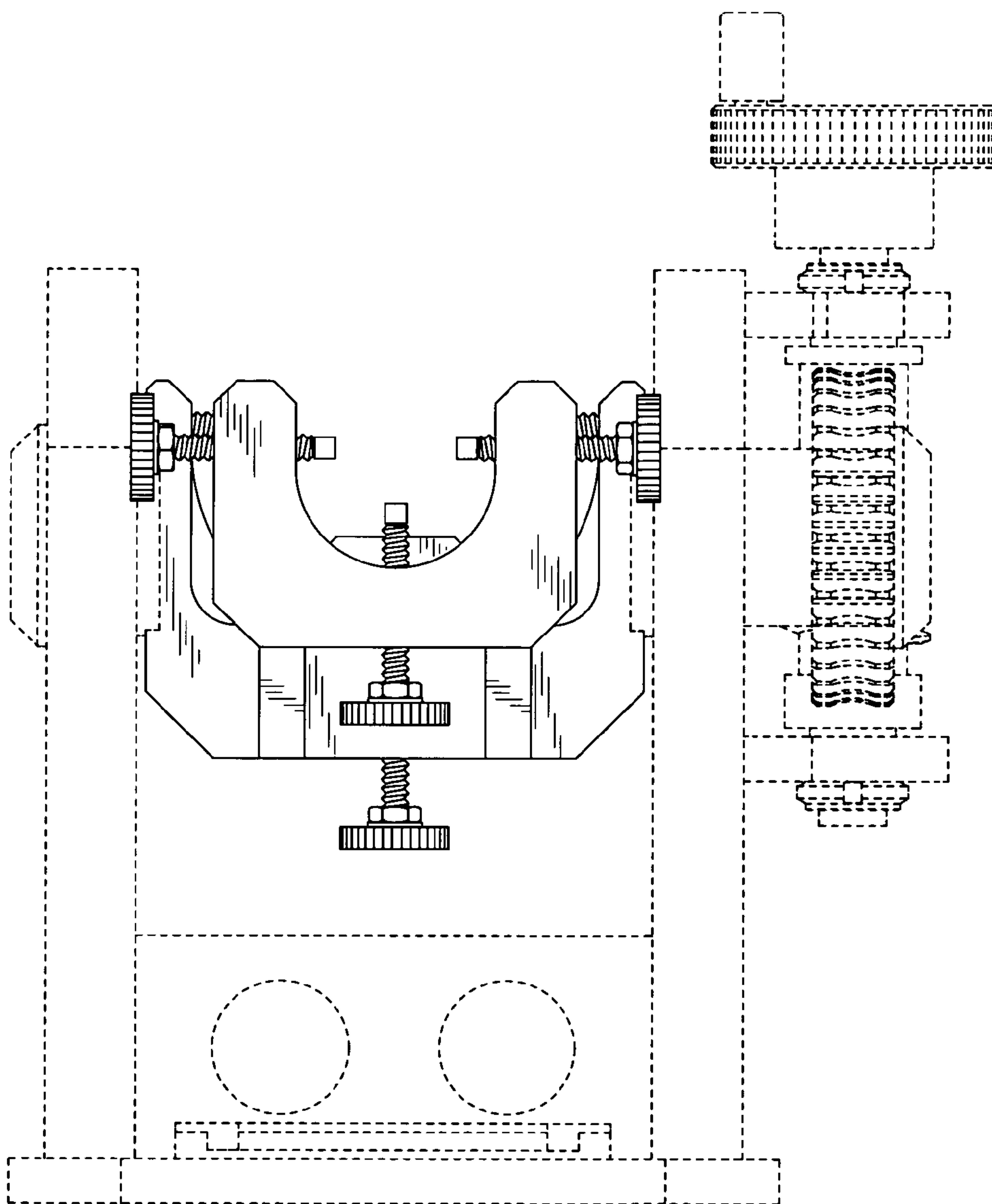
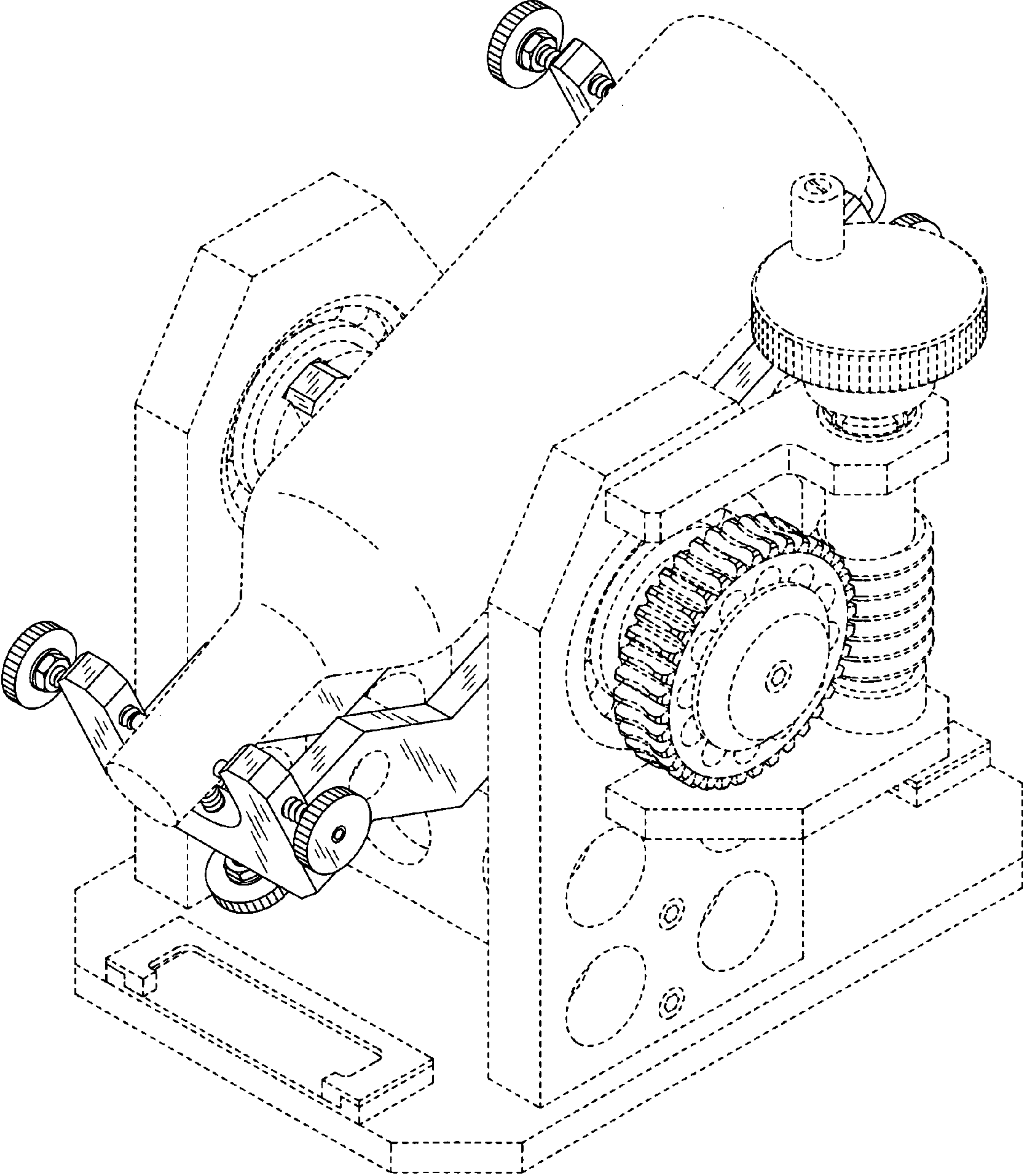


Fig. 9



UNITED STATES PATENT AND TRADEMARK OFFICE
CERTIFICATE OF CORRECTION

PATENT NO. : D621,209 S
APPLICATION NO. : 29/347225
DATED : August 10, 2010
INVENTOR(S) : Takagi et al.

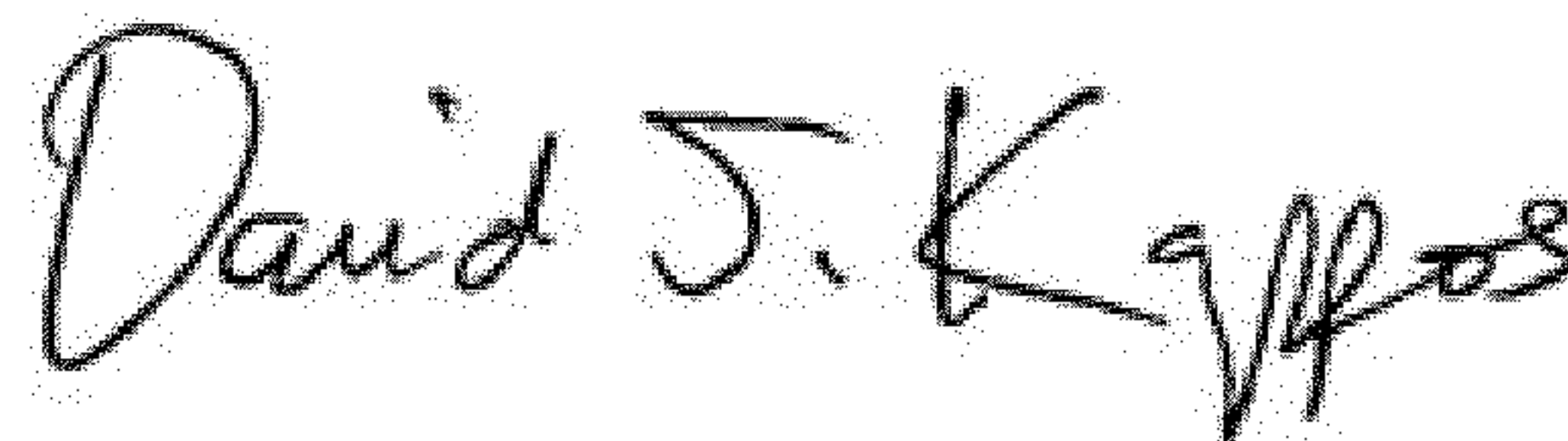
Page 1 of 1

It is certified that error appears in the above-identified patent and that said Letters Patent is hereby corrected as shown below:

Title page, item 73

Assignee: should read -- FUJI SHOJI CO., LTD., Gifu-ken, Japan --

Signed and Sealed this
Third Day of July, 2012

A handwritten signature in black ink that reads "David J. Kappos". The signature is written in a cursive, slightly slanted style.

David J. Kappos
Director of the United States Patent and Trademark Office