



US00D621207S

(12) **United States Design Patent**
Bodum

(10) **Patent No.:** **US D621,207 S**

(45) **Date of Patent:** **** Aug. 10, 2010**

(54) **TRAVEL MUG CLOSURE**

(75) Inventor: **Jorgen Bodum**, Meggen (CH)

(73) Assignee: **Pi-Design AG**, Triengen (CH)

(**) Term: **14 Years**

(21) Appl. No.: **29/341,558**

(22) Filed: **Aug. 7, 2009**

(30) **Foreign Application Priority Data**

Feb. 9, 2009 (WO) DM/071 370

(51) **LOC (9) Cl.** **07-01**

(52) **U.S. Cl.** **D7/392.1; D7/396.2; D7/900;**
D9/443

(58) **Field of Classification Search** D7/532,
D7/512, 507, 523, 511, 509, 529, 392.1, 396.2,
D7/900, 510; 220/705, 23.83, 710, 709,
220/711, 254.3, 501; D9/716, 719, 439,
D9/443, 454; 215/11.6

See application file for complete search history.

(56) **References Cited**

U.S. PATENT DOCUMENTS

3,338,467	A	8/1967	Albert	
D332,379	S *	1/1993	Murphy	D7/391
D333,065	S *	2/1993	Murphy	D7/391
D346,308	S *	4/1994	Cautereels et al.	D7/509
D395,783	S *	7/1998	Cautereels	D7/318
D406,011	S *	2/1999	Hatsumoto et al.	D7/510
D409,441	S *	5/1999	Stephenson	D7/510
D428,306	S *	7/2000	Lee	D7/510
6,102,244	A	8/2000	Kuwano et al.	
D500,428	S *	1/2005	Ward et al.	D7/392.1
7,073,678	B1	7/2006	Dibdin et al.	

D536,214	S *	2/2007	Schuler et al.	D7/392.1
D549,522	S *	8/2007	Tien	D7/510
D552,926	S *	10/2007	Yelland	D7/392.1
D572,082	S *	7/2008	Kortleven	D7/510
D577,958	S *	10/2008	Homma	D7/510
D582,206	S *	12/2008	Fuller	D7/392.1
D583,627	S *	12/2008	Kortleven	D7/510

(Continued)

FOREIGN PATENT DOCUMENTS

WO 2008/055955 A1 5/2008

OTHER PUBLICATIONS

Photo of Trudeau Corona Travel Mug, two pages, Sep. 2008.

(Continued)

Primary Examiner—Marianne Pandozzi

(74) *Attorney, Agent, or Firm*—Sughrue Mion, PLLC

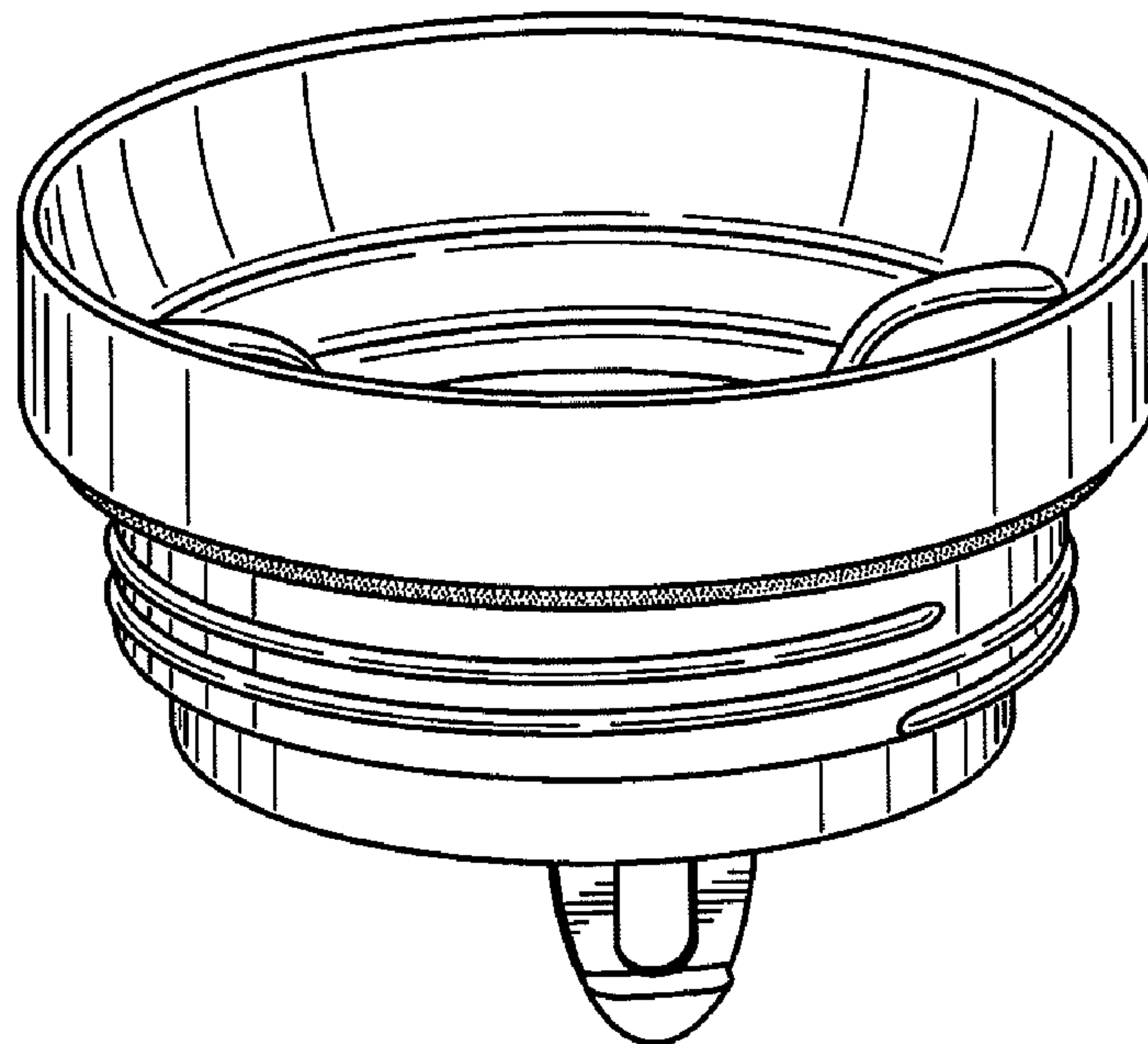
(57) **CLAIM**

The ornamental design for a travel mug closure, as shown and described.

DESCRIPTION

FIG. 1 is a first perspective view of the travel mug closure;
FIG. 2 is a second perspective view of the travel mug closure;
FIG. 3 is a front elevation view of the travel mug closure;
FIG. 4 is a rear elevation view of the travel mug closure;
FIG. 5 is a right side elevation view of the travel mug closure;
FIG. 6 is a left side elevation view of the travel mug closure;
FIG. 7 is a top view of the travel mug closure; and,
FIG. 8 is a bottom view of the travel mug closure.

1 Claim, 8 Drawing Sheets



US D621,207 S

Page 2

U.S. PATENT DOCUMENTS

D587,572 S * 3/2009 Sanders D9/443
D591,107 S * 4/2009 Dominique et al. D7/510
D591,556 S * 5/2009 Fuller D7/396.2
D599,619 S * 9/2009 Bodum D7/509
D609,053 S * 2/2010 Dingenouts D7/509
2004/0094552 A1 5/2004 Featherston et al.
2004/0124196 A1* 7/2004 Ziegler 220/288

OTHER PUBLICATIONS

Internet printout for Trudeau Corona Travel Mug, retrieved from www.trudeaucorp.com/inten/products/travel-mugs-carafes/types/travel-tumbles on Sep. 29, 2008.

PCT Patent Application, No. PCT/CH2009/000050 of Feb. 9, 2009, 19 pages of specification, 4 sheets of drawings.

* cited by examiner

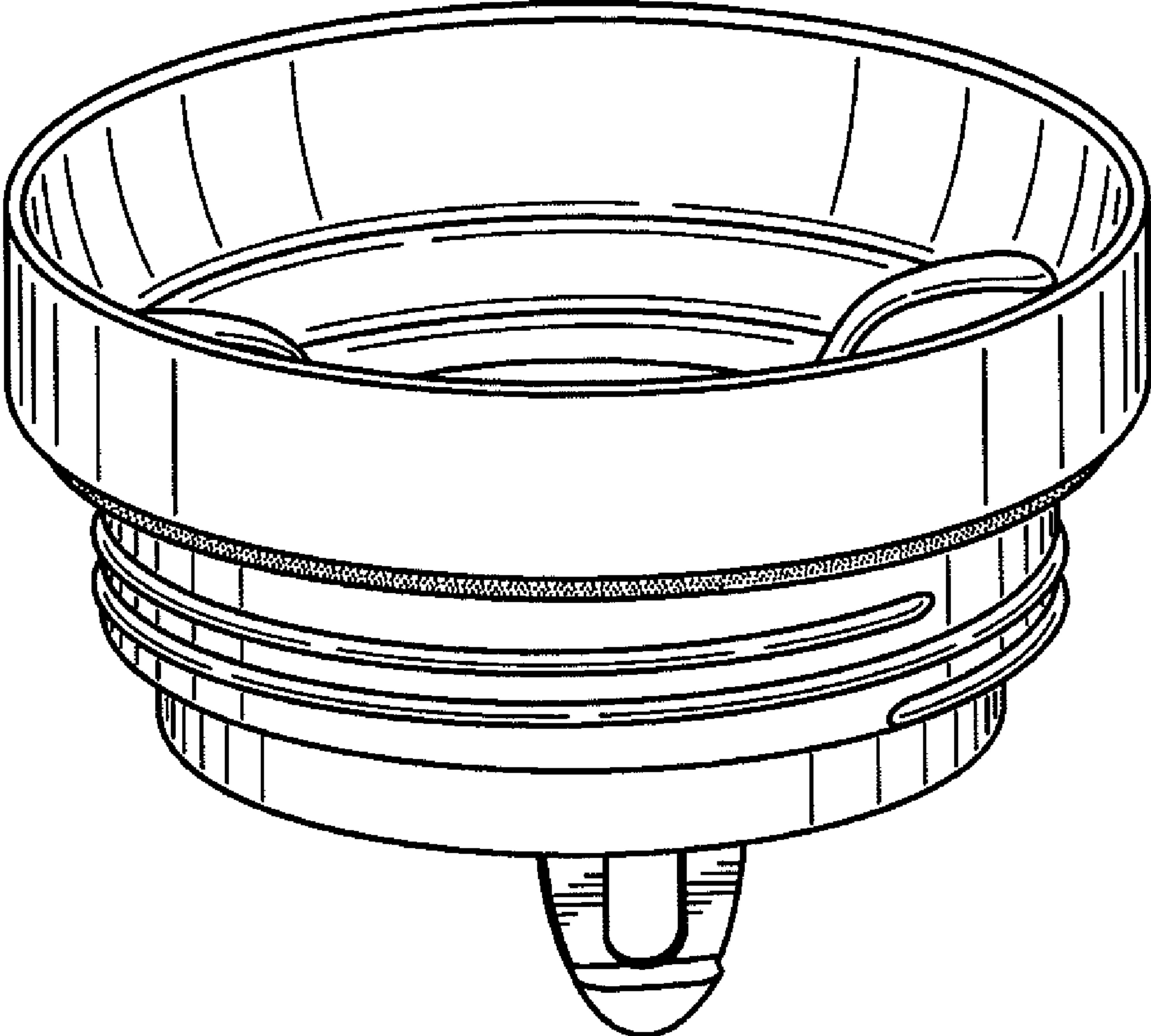


Figure 1

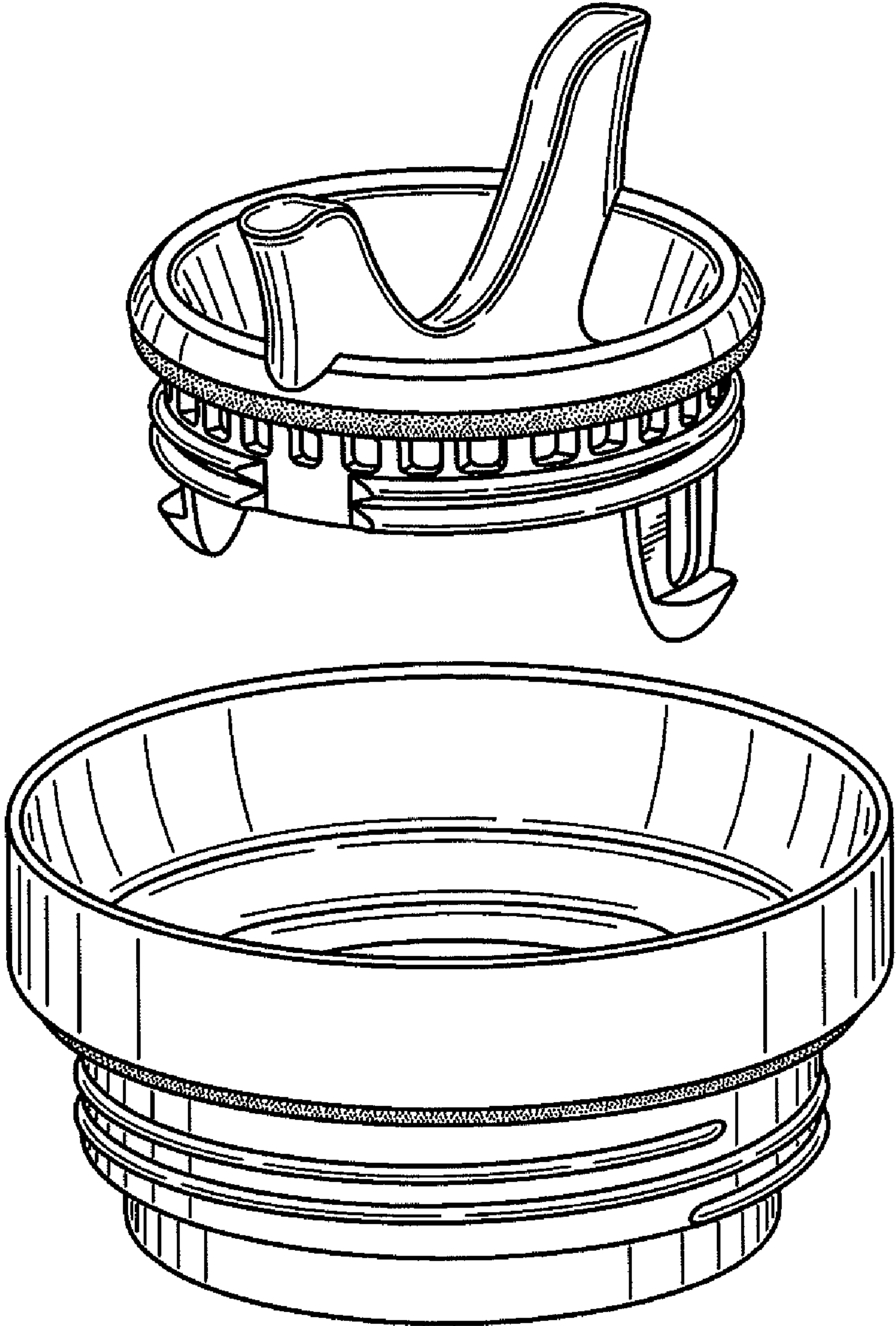


Figure 2

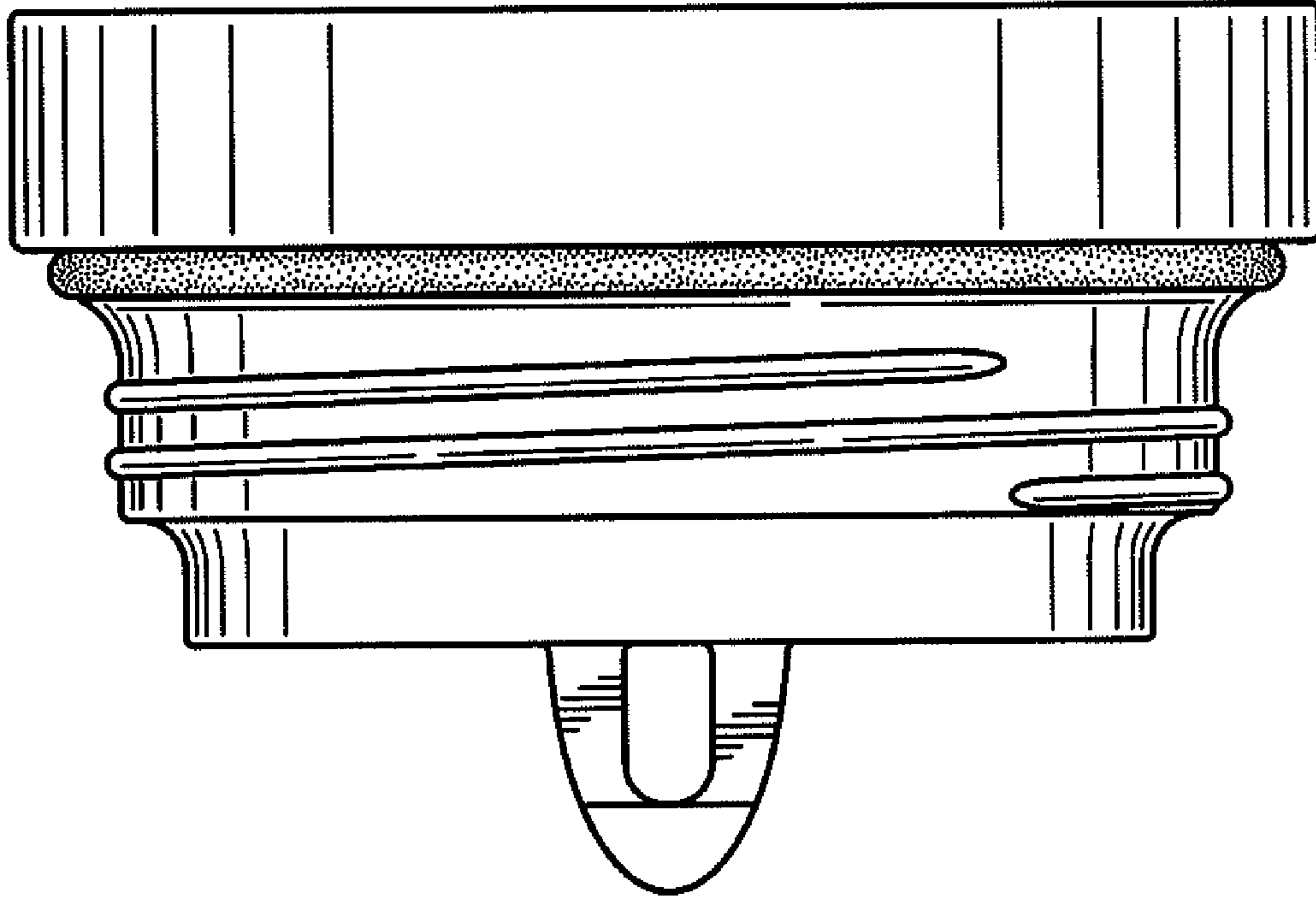


Figure 3

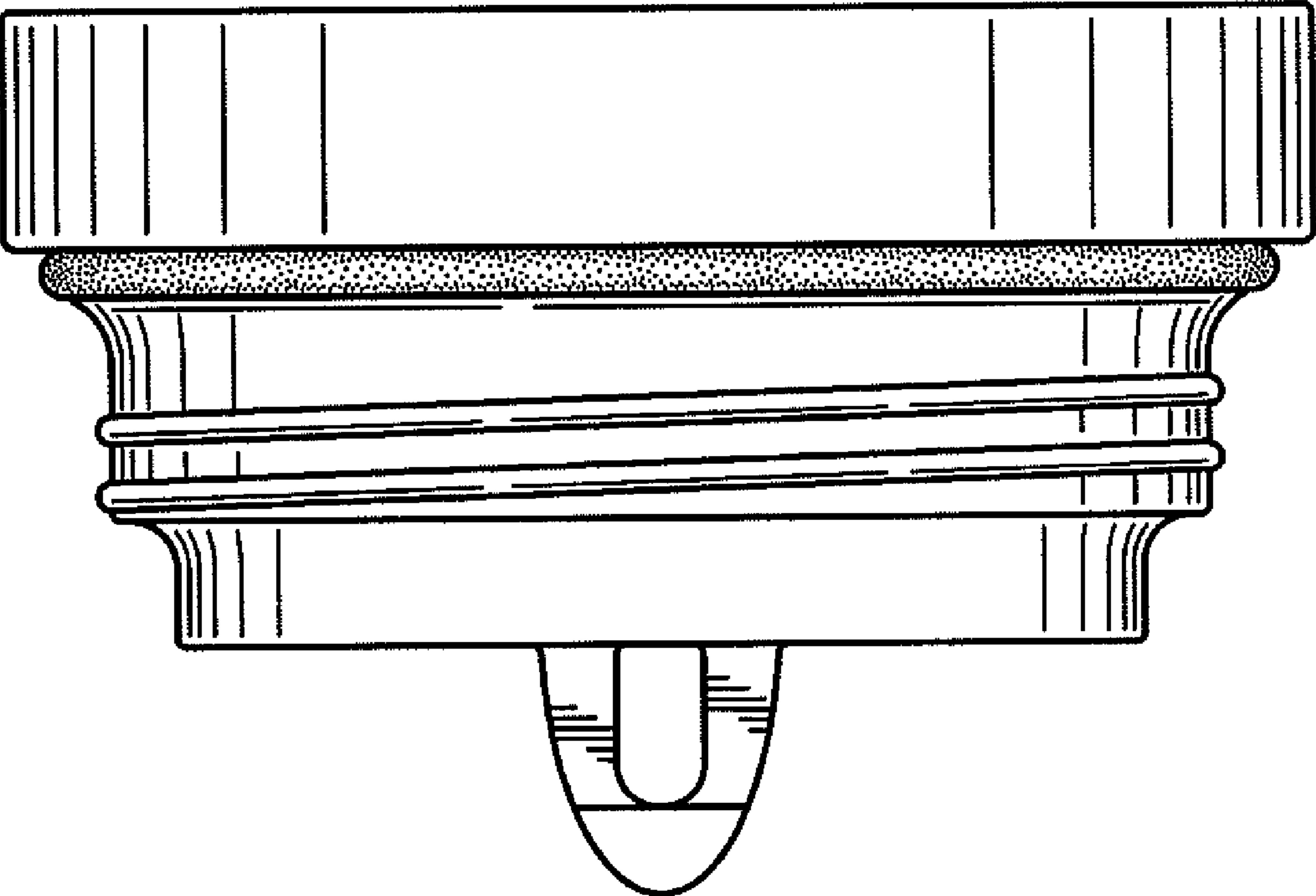


Figure 4

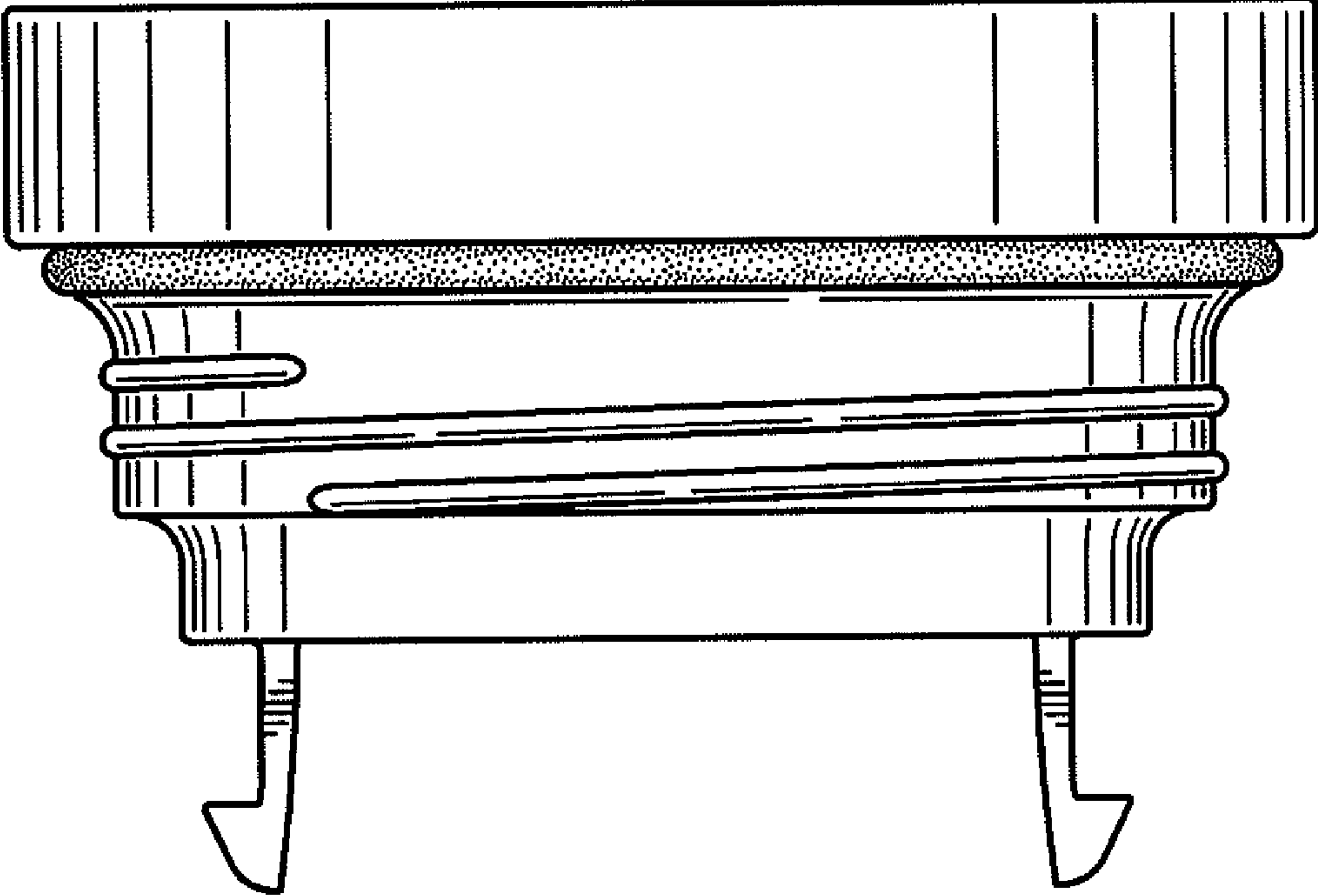


Figure 5

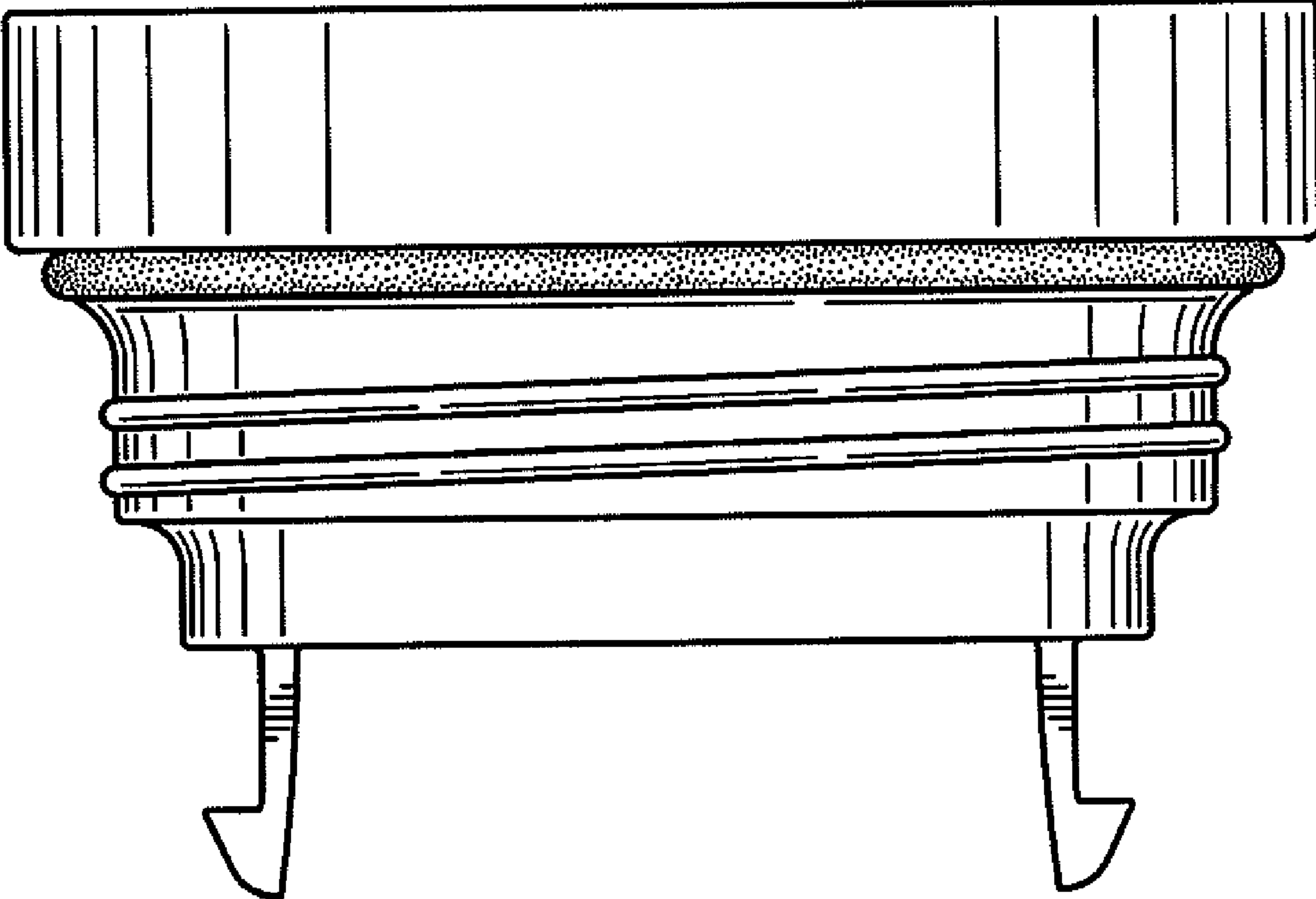


Figure 6

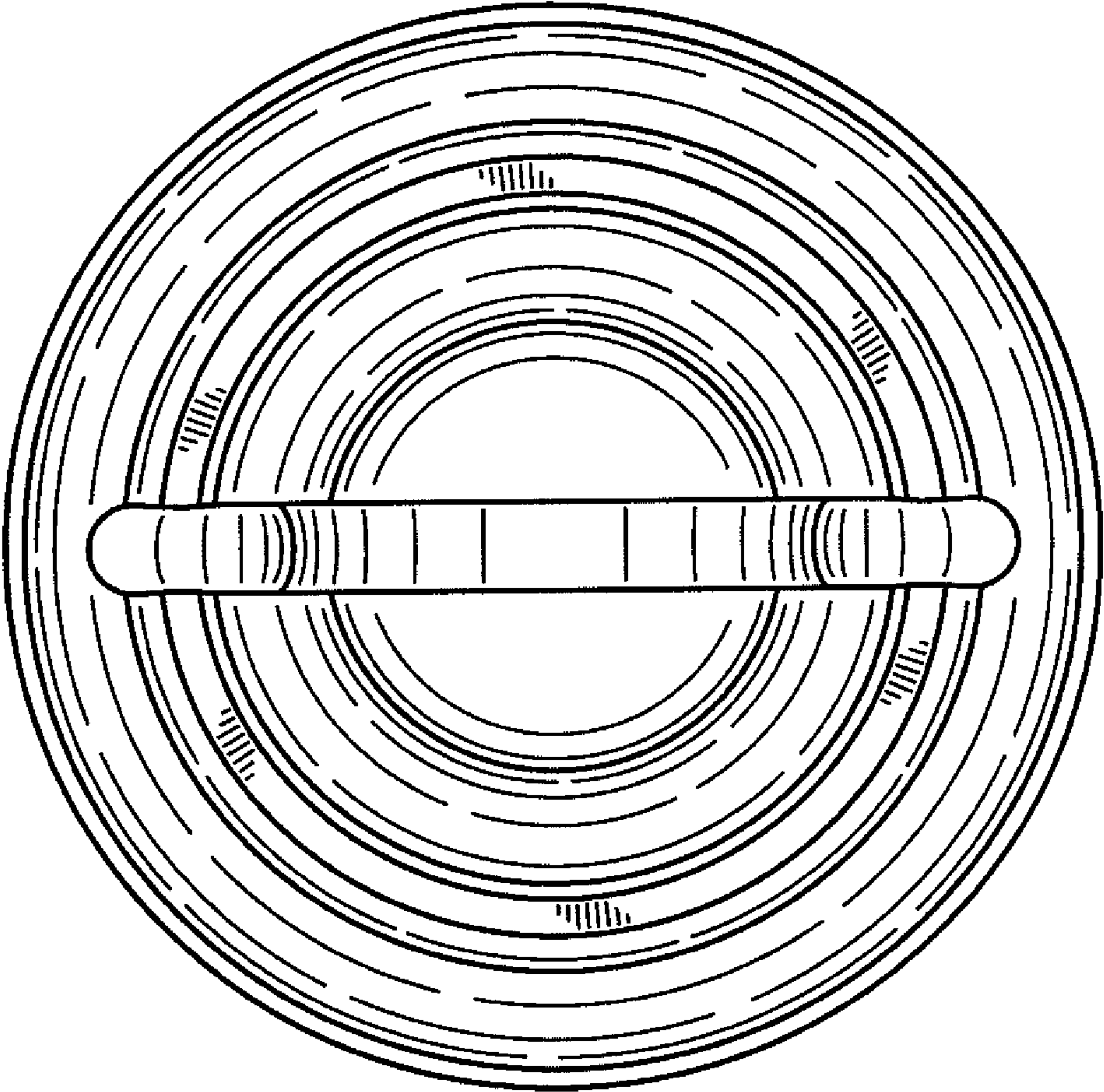


Figure 7

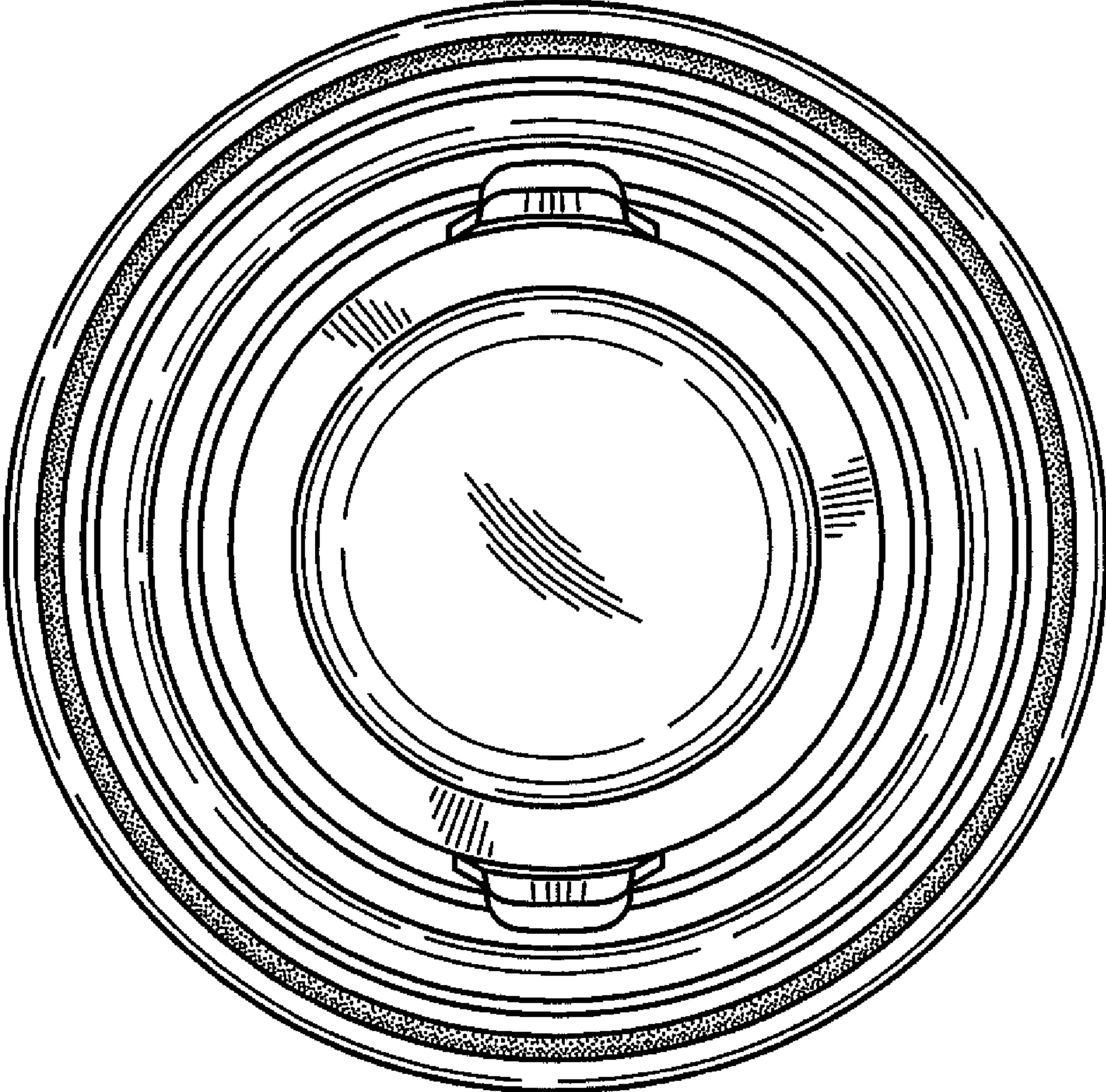


Figure 8