



US00D621206S

(12) **United States Design Patent**
Matta et al.

(10) **Patent No.:** **US D621,206 S**

(45) **Date of Patent:** **** Aug. 10, 2010**

(54) **GRINDER**

(75) Inventors: **Manoo Matta**, Edison, NJ (US); **Jason Leo**, Zhongshan (CN)

(73) Assignee: **Mercantile International NA LLC**, Piscataway, NJ (US)

(**) Term: **14 Years**

(21) Appl. No.: **29/354,996**

(22) Filed: **Feb. 1, 2010**

(51) **LOC (9) Cl.** **31-00**

(52) **U.S. Cl.** **D7/372; D7/376**

(58) **Field of Classification Search** D7/317-323,
D7/356, 372-386, 412-415, 665, 679; 74/16;
99/348, 509-511; 241/30-37.5, 101.01-101.2,
241/166-169.1, 195, 274-278.2, 285.1-285.3,
241/291, 292.1; 366/64-67, 98, 129, 142,
366/192, 197-211, 203-207, 241-254, 279-292,
366/341-347

See application file for complete search history.

(56) **References Cited**

U.S. PATENT DOCUMENTS

D121,136 S *	6/1940	Benson	D7/378
D175,601 S *	9/1955	Heck	D7/386
2,795,958 A *	6/1957	Frank	74/16
3,064,949 A *	11/1962	Dewenter	241/195
D196,323 S *	9/1963	Allen et al.	D7/373
D218,256 S *	8/1970	Rams	D7/373
D260,350 S *	8/1981	Kahlcke	D7/378
D269,489 S *	6/1983	Akita	D7/372
D290,677 S *	7/1987	Stutzer et al.	D7/384
D303,482 S *	9/1989	Barrault	D7/381
D320,326 S *	10/1991	Barrault	D7/384
D346,526 S *	5/1994	Bannigan	D7/323
D366,595 S *	1/1996	Dobson et al.	D7/384

(Continued)

Primary Examiner—Stella M Reid

Assistant Examiner—Ricky Pham

(74) *Attorney, Agent, or Firm*—Arthur L. Lessler

(57) **CLAIM**

The ornamental design for a grinder, as shown and described.

DESCRIPTION

FIG. 1 is an isometric view of a grinder according to the invention, showing the top, left side and front side thereof.

FIG. 2 is a front elevation view of the grinder shown in FIG. 1.

FIG. 3 is a rear elevation view of the grinder shown in FIG. 1.

FIG. 4 is a right side elevation view of the grinder shown in FIG. 1.

FIG. 5 is a top plan view of the grinder shown in FIG. 1.

FIG. 6 is a bottom plan view of the grinder shown in FIG. 1.

FIG. 7 is an isometric view of the cover of the grinder shown in FIG. 1, showing the front and right side thereof.

FIG. 8 is an isometric view of the grinder shown in FIG. 1, showing the front and right side thereof with the cover removed.

FIG. 9 is a front elevation view of the cover of the grinder shown in FIG. 1.

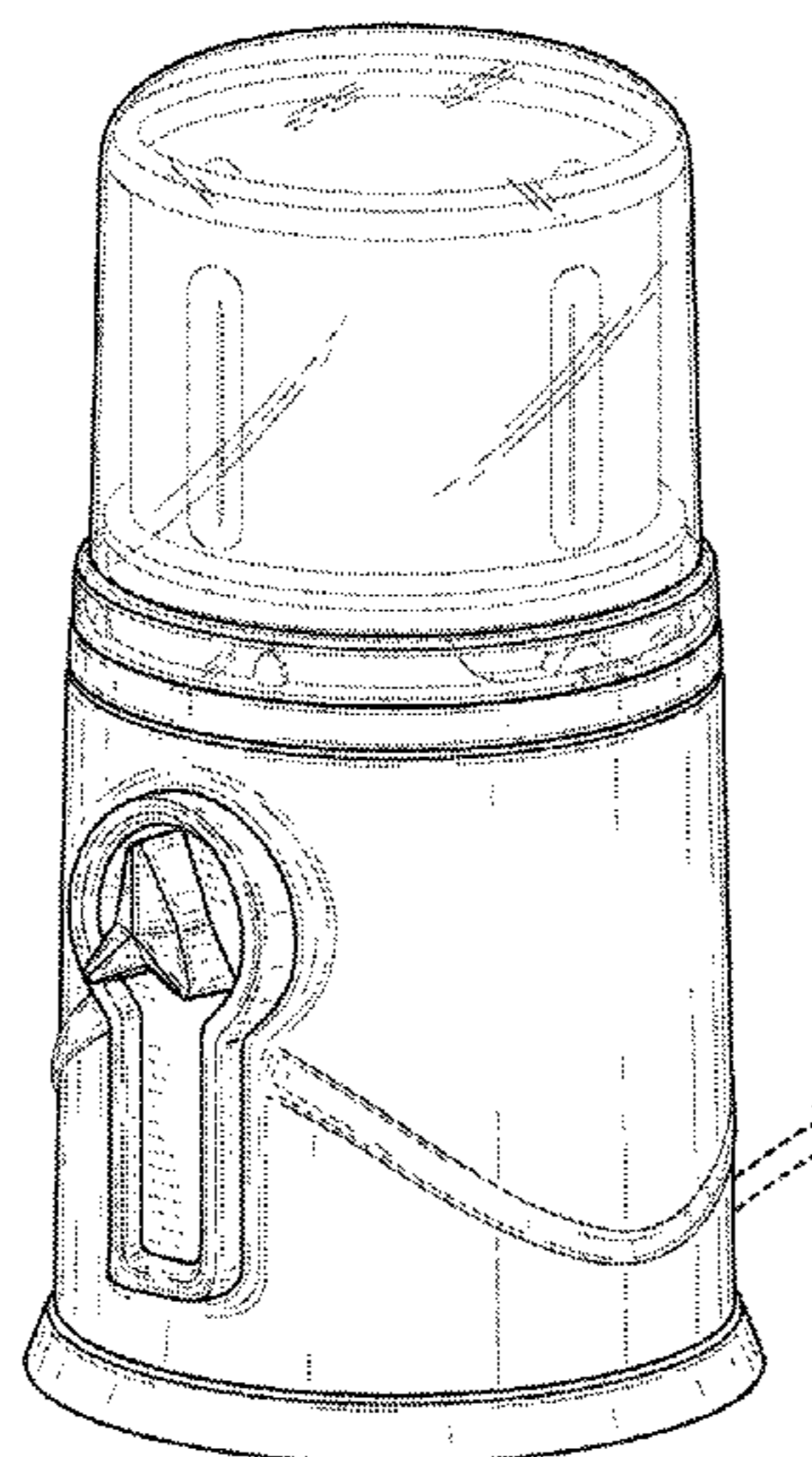
FIG. 10 is a front elevation view of the grinder shown in FIG. 1, with the cover removed.

FIG. 11 is a top plan view of the cover of the grinder shown in FIG. 1; and,

FIG. 12 is a top plan view of the grinder shown in FIG. 1, with the cover removed.

The broken lines shown in the drawings are for illustrative purposes only and form no part of the claimed design.

1 Claim, 8 Drawing Sheets



US D621,206 S

Page 2

U.S. PATENT DOCUMENTS

5,720,552 A *	2/1998	Schindlegger	366/197	D517,859 S *	3/2006	Fung	D7/372
D394,183 S *	5/1998	Arita et al.	D7/384	D530,975 S *	10/2006	Fernandez	D7/378
D395,573 S *	6/1998	Leverrier	D7/381	D572,076 S *	7/2008	Ling	D7/384
D444,668 S *	7/2001	Leung	D7/372	D581,750 S *	12/2008	de Groote	D7/679
D487,668 S *	3/2004	Sands	D7/378	D603,215 S *	11/2009	Hollinger	D7/386
					D612,667 S *	3/2010	Klotz	D7/381

* cited by examiner

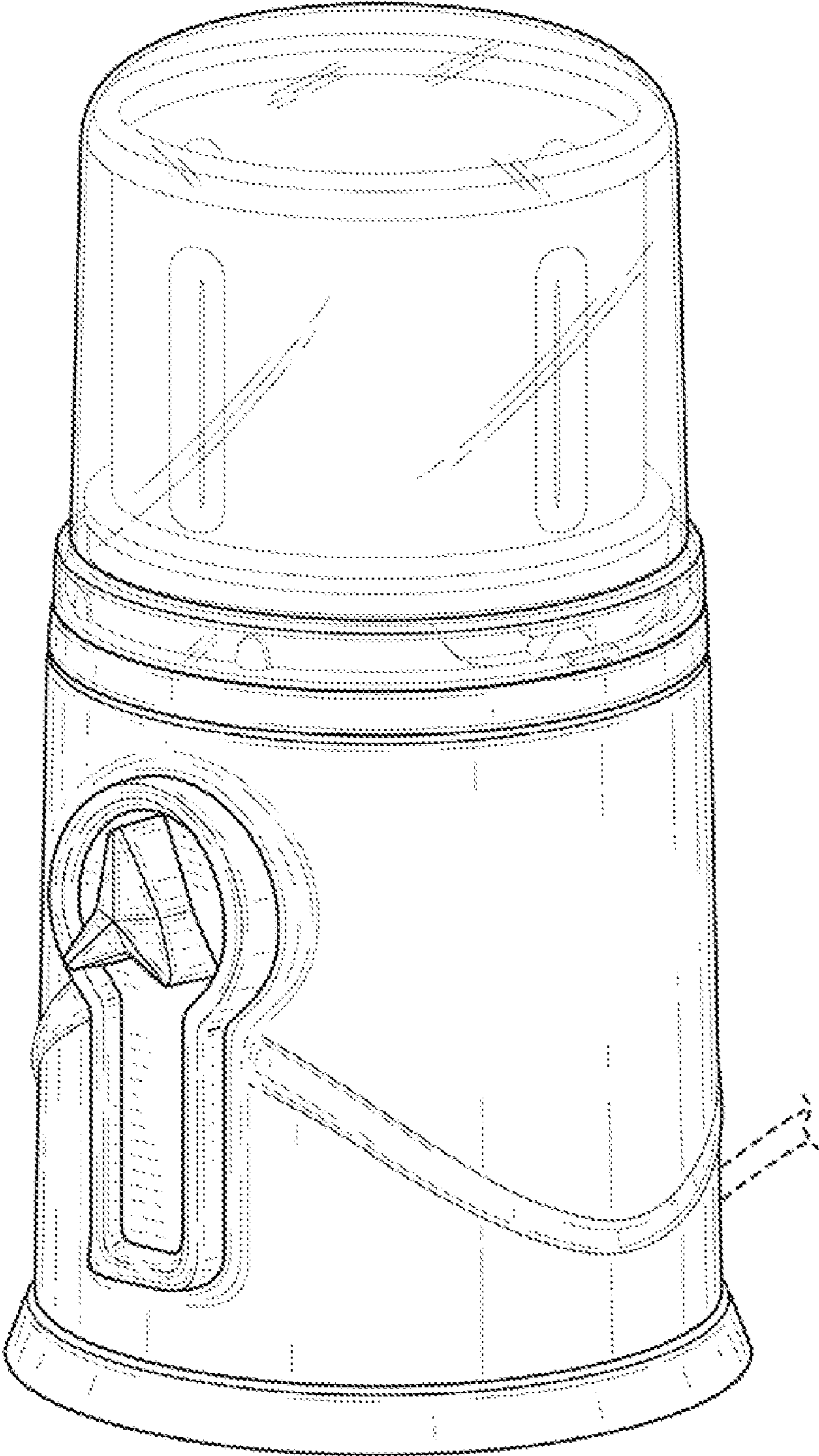


FIG. 1

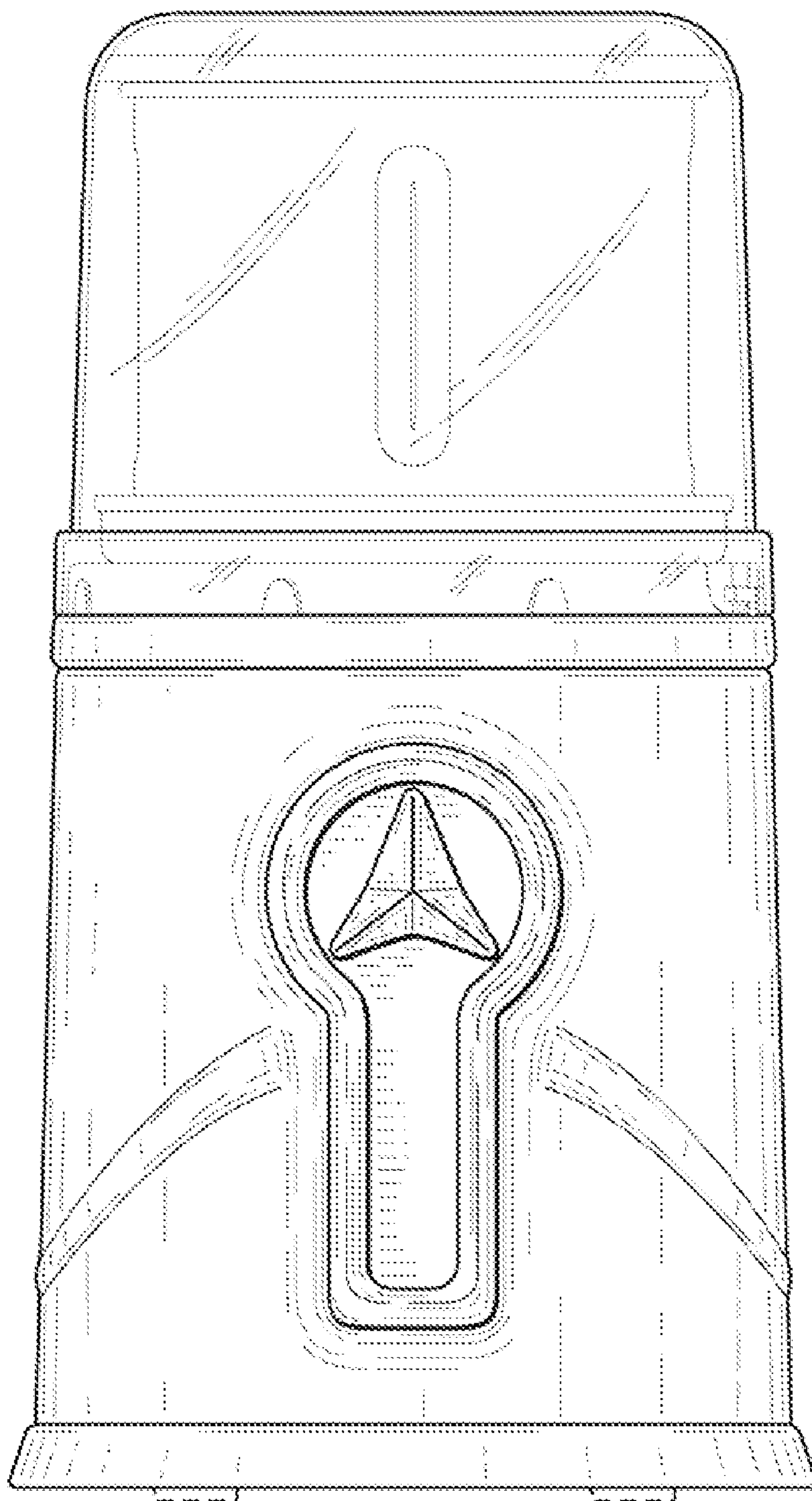


FIG. 2

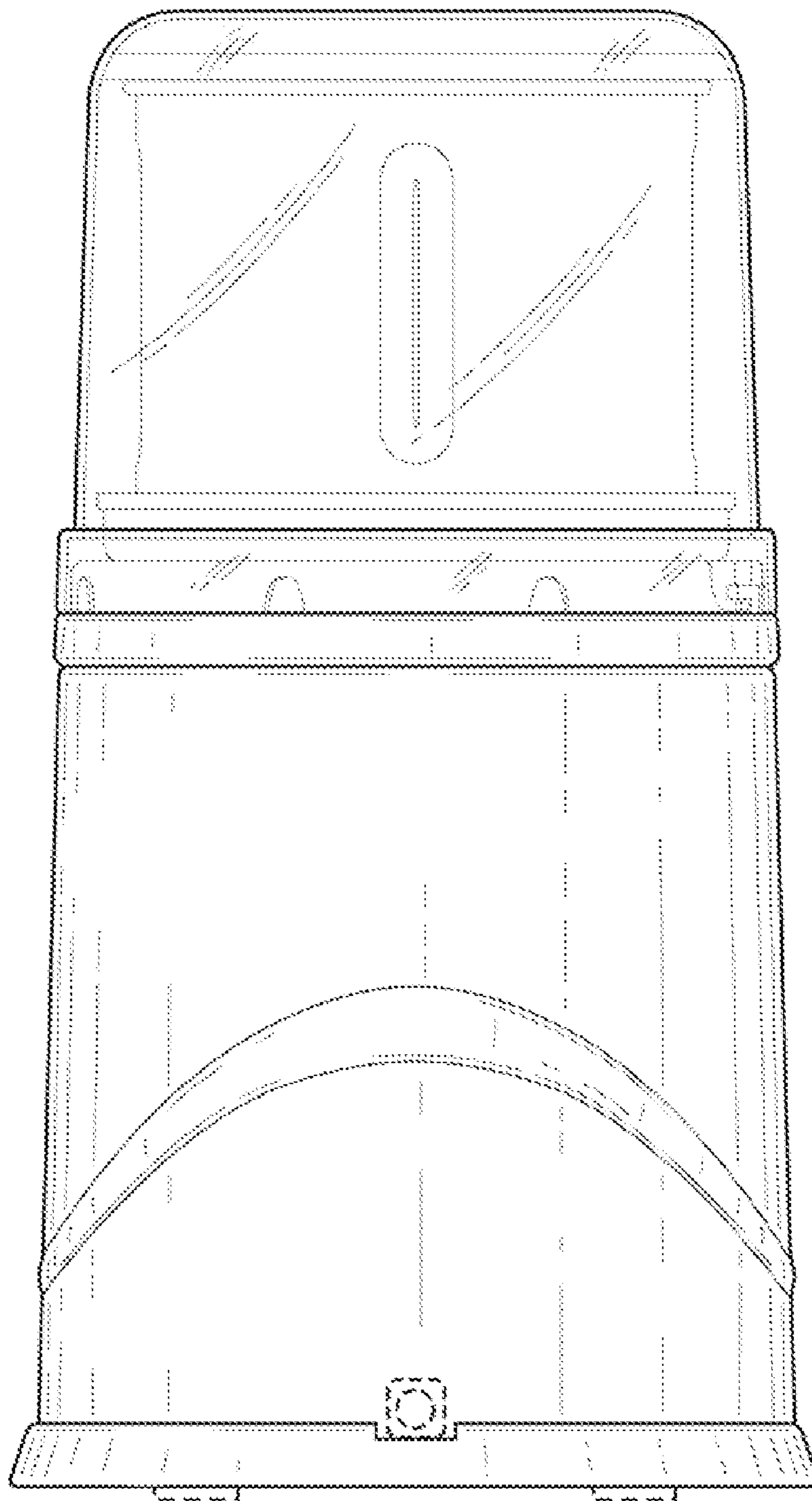


FIG. 3

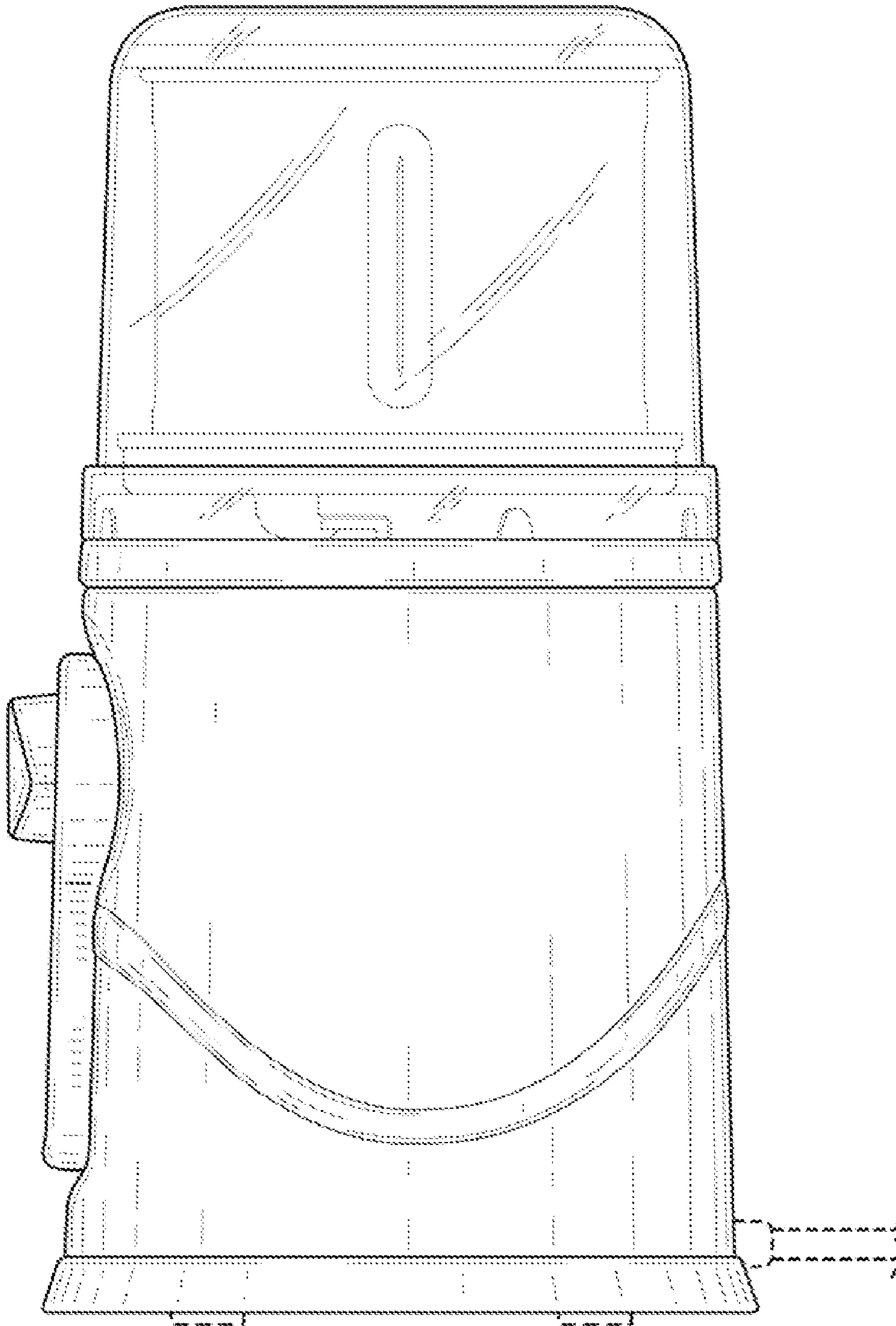


FIG. 4

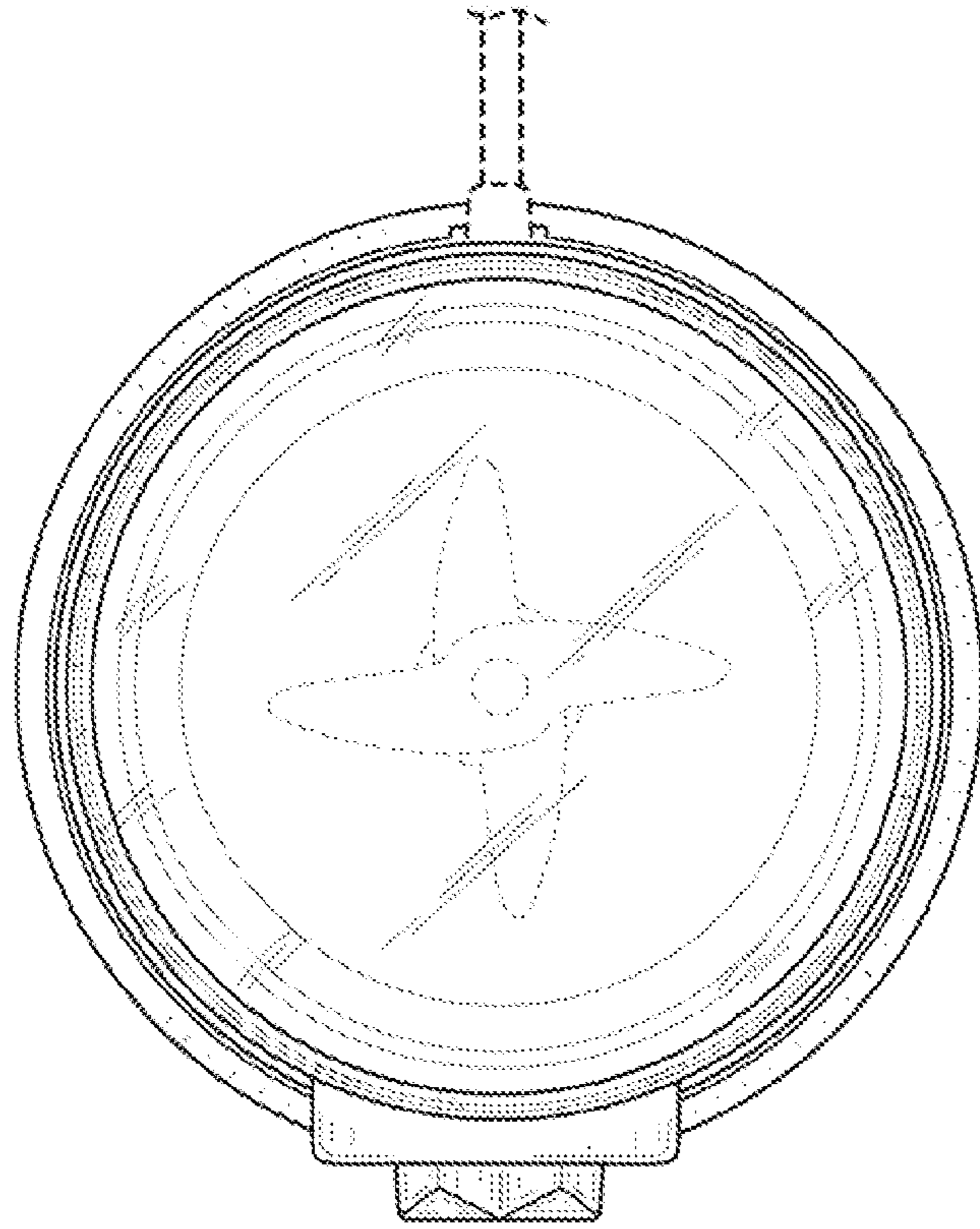


FIG. 5

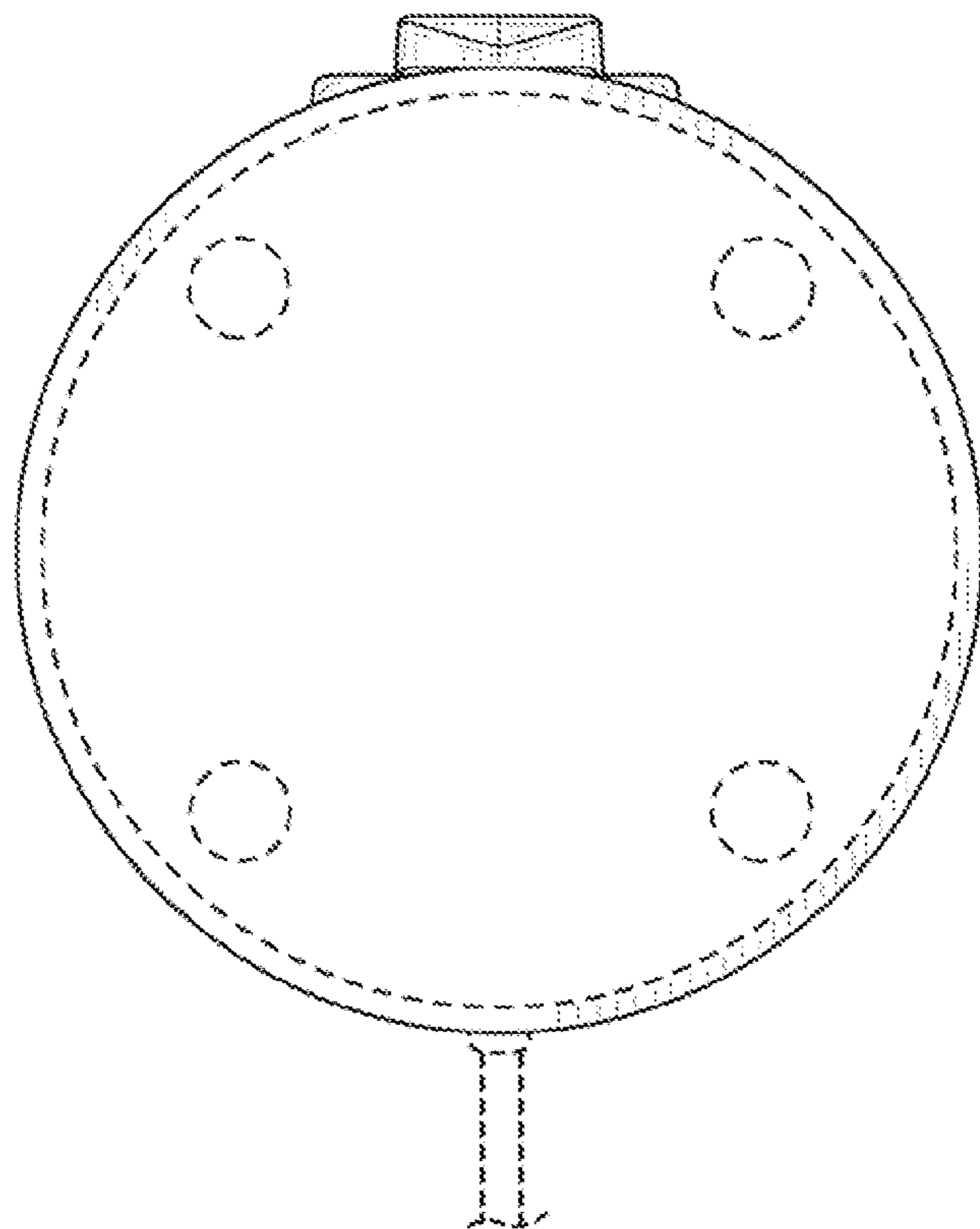


FIG. 6

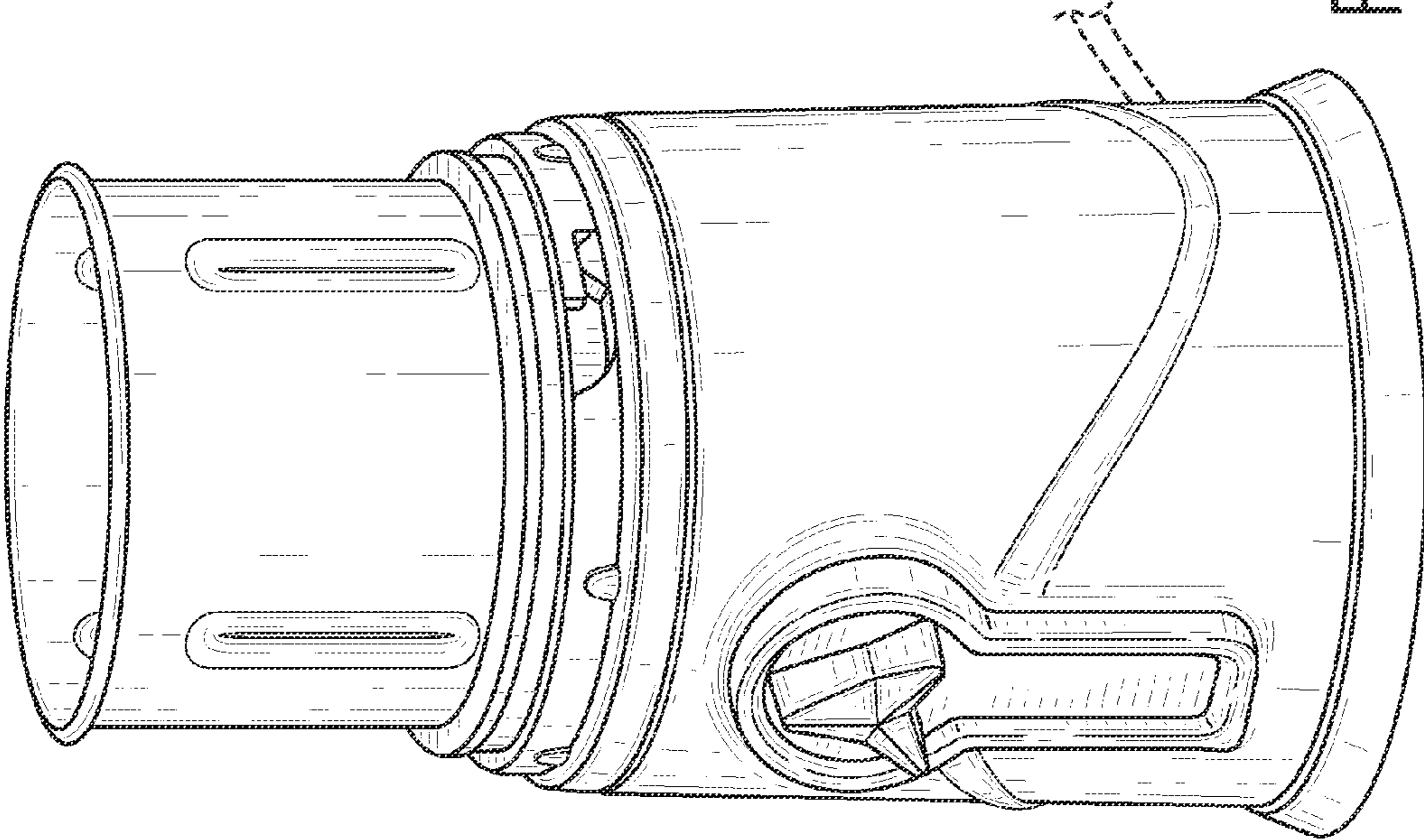


FIG. 8

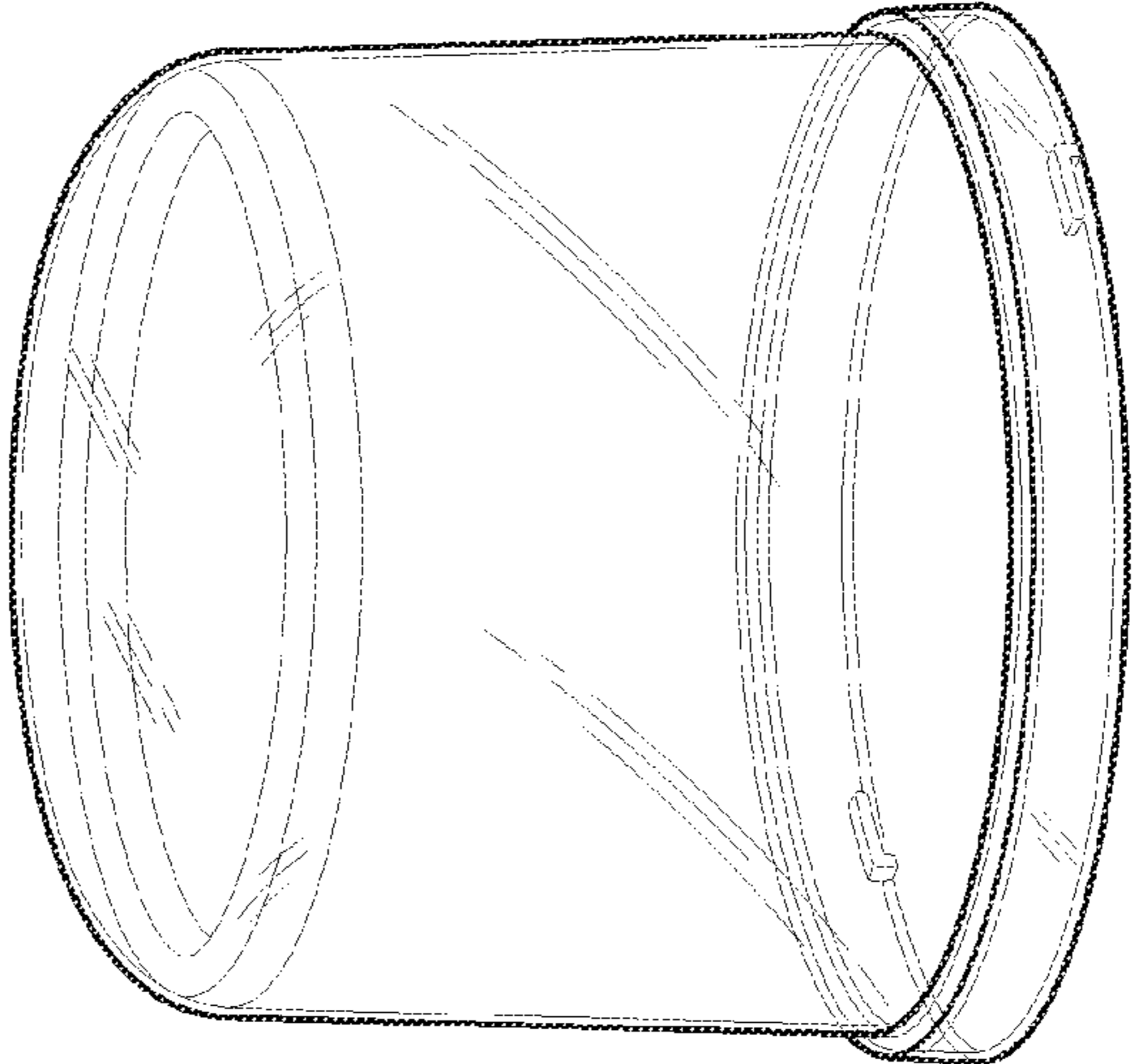


FIG. 7

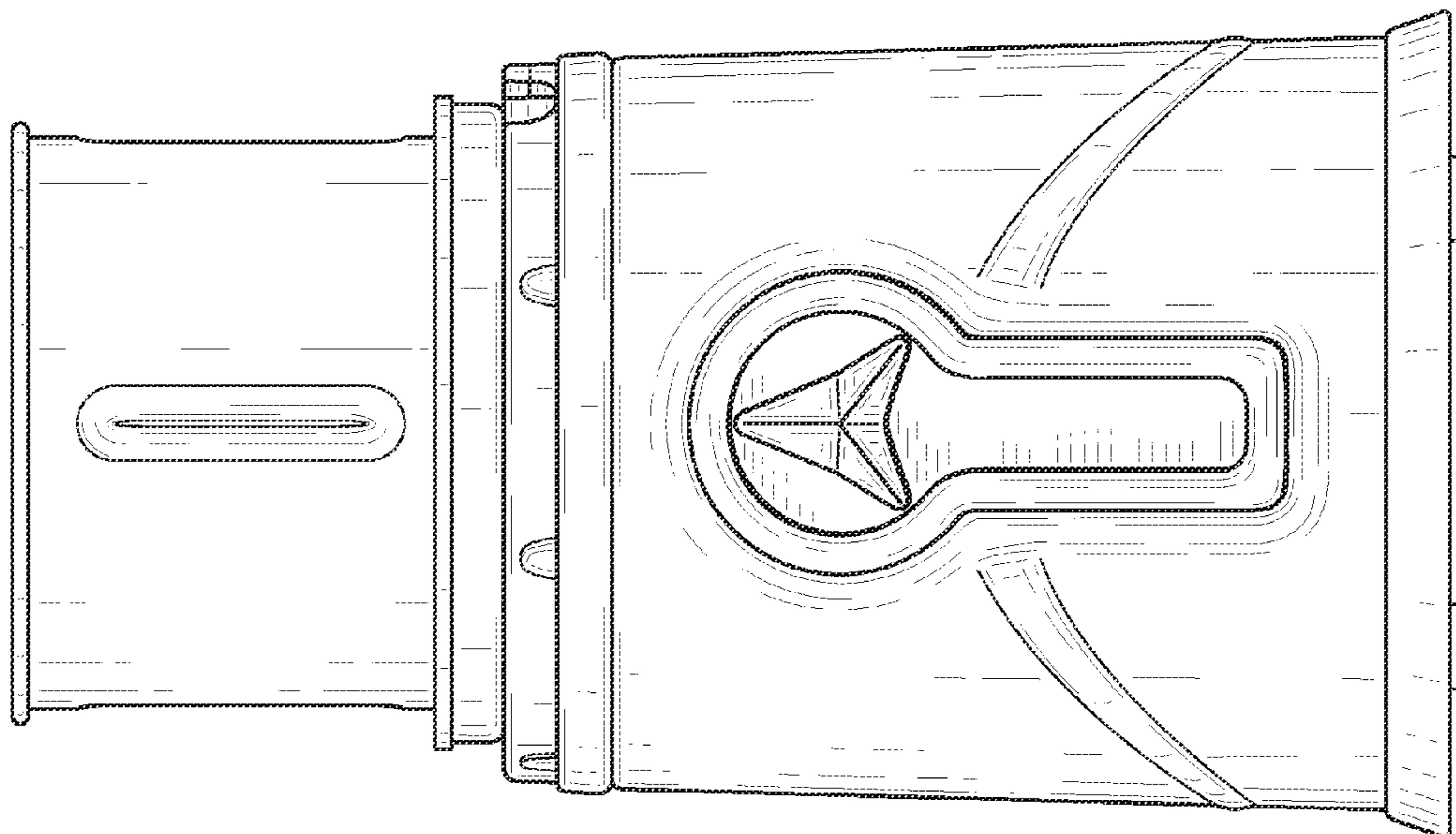


FIG. 9

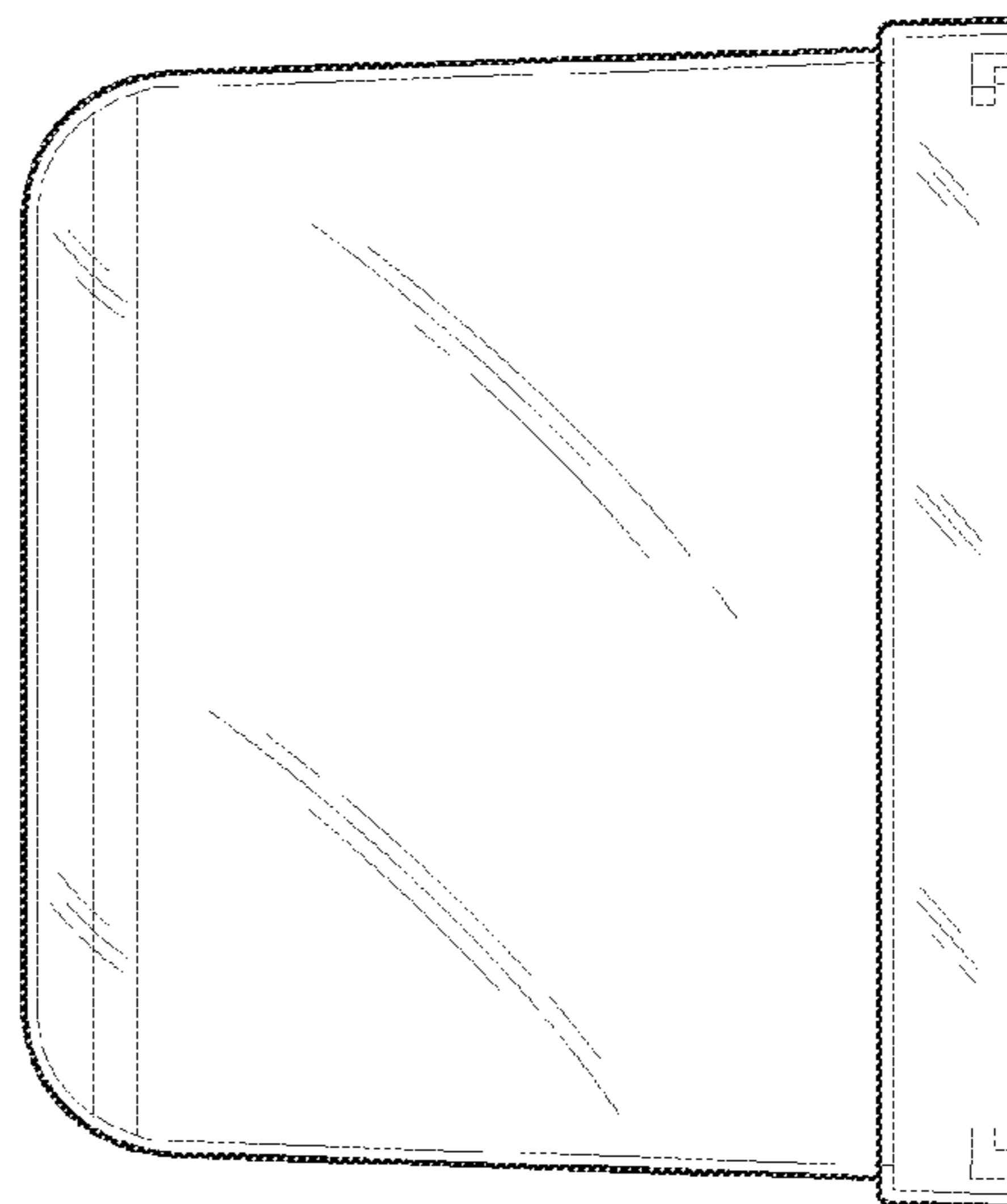


FIG. 10

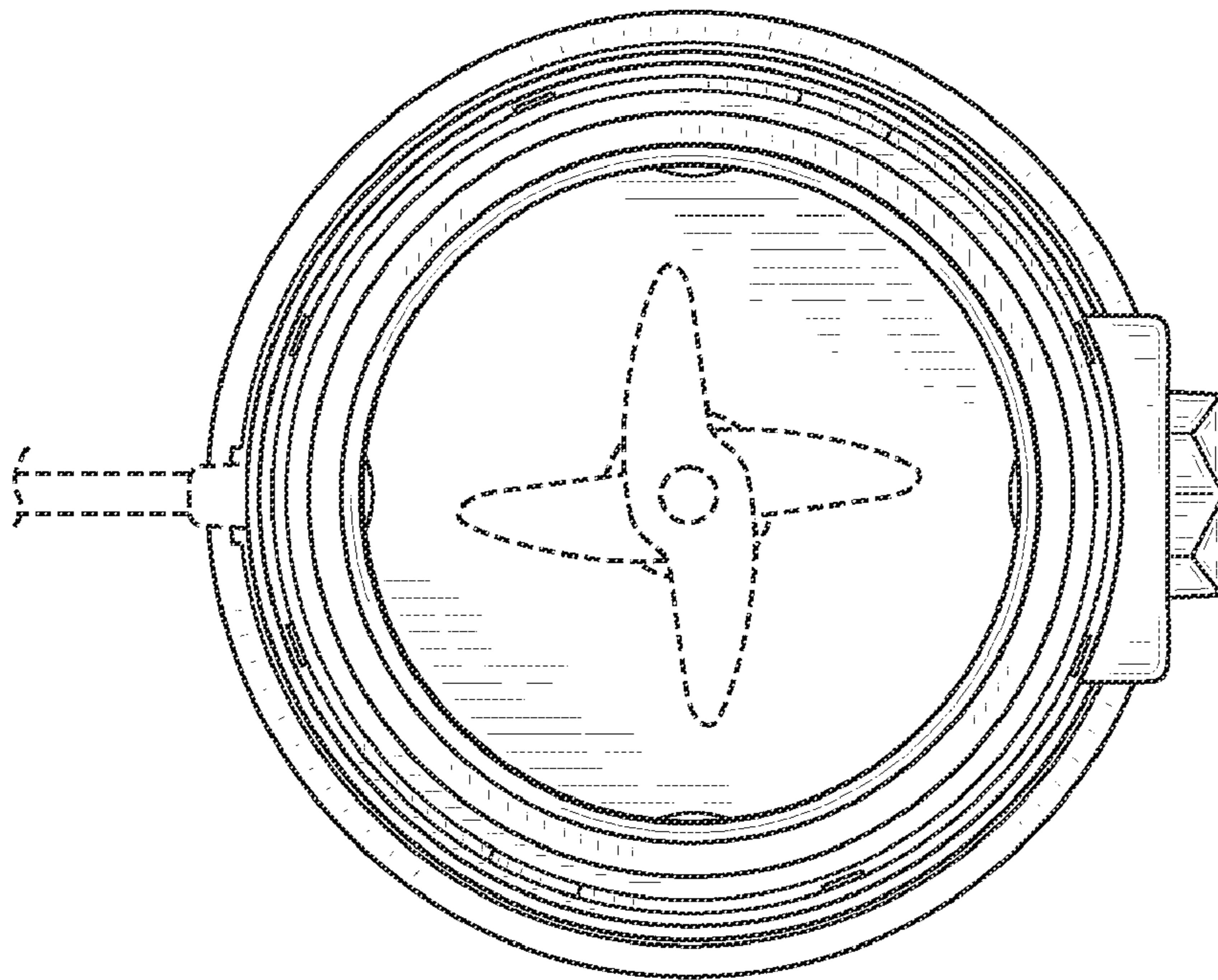


FIG. 12

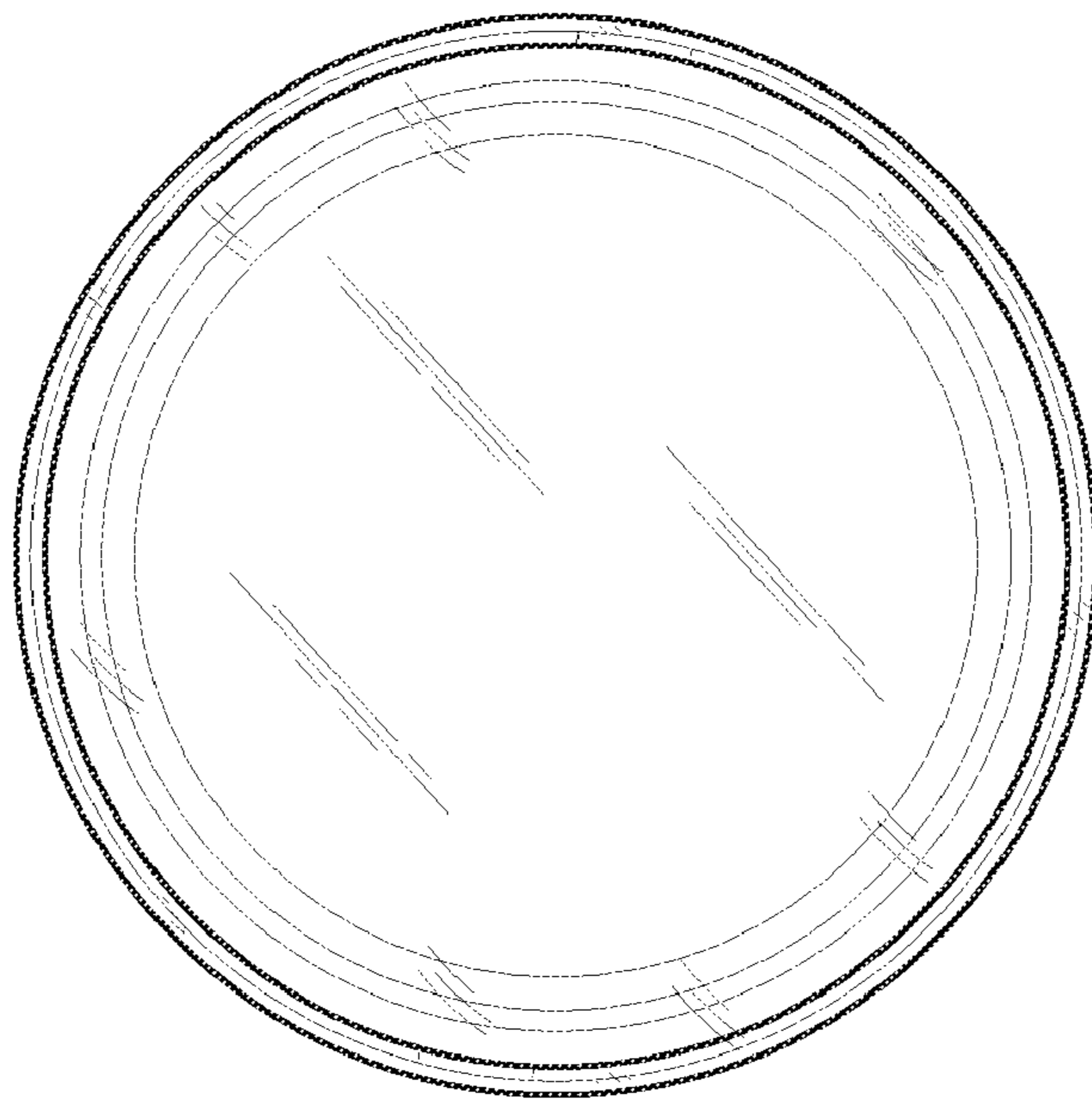


FIG. 11