



US00D621205S

(12) **United States Design Patent**
Yeung

(10) **Patent No.:** **US D621,205 S**

(45) **Date of Patent:** **** Aug. 10, 2010**

(54) **HOTPLATE MAGNETIC STIRRER**

6,087,637 A * 7/2000 Fischer et al. 219/465.1

D438,423 S * 3/2001 Bassill et al. D7/367

D501,117 S * 1/2005 Bassill D7/367

(75) Inventor: **Wing Yiu Yeung**, Hong Kong (HK)

(73) Assignee: **Advanced Materials Enterprises Company Limited**, Hong Kong (HK)

(**) Term: **14 Years**

* cited by examiner

Primary Examiner—Lisa P Lichtenstein

(21) Appl. No.: **29/335,721**

(57) **CLAIM**

(22) Filed: **Apr. 21, 2009**

The ornamental design for a hotplate magnetic stirrer, as shown and described.

(51) **LOC (9) Cl.** **07-02**

(52) **U.S. Cl.** **D7/367**

(58) **Field of Classification Search** D7/323,
D7/330–331, 339, 36, 350.2, 350–367, 378–379,
D7/383–384, 391, 406, 542–545; 99/324–325,
99/329 R, 330–339; 219/432–433, 438–441,
219/620–622, 725–730; 220/203.1, 203.7,
220/303, 573.1–574, 769, 912; 426/438,
426/441

DESCRIPTION

See application file for complete search history.

FIG. 1 is a perspective view of the hotplate magnetic stirrer;
FIG. 2 is a top view of the hotplate magnetic stirrer;
FIG. 3 is a bottom view of the hotplate magnetic stirrer;
FIG. 4 is a front view of the hotplate magnetic stirrer;
FIG. 5 is a rear view of the hotplate magnetic stirrer;
FIG. 6 is a left view of the hotplate magnetic stirrer; and,
FIG. 7 is a right view of the hotplate magnetic stirrer.

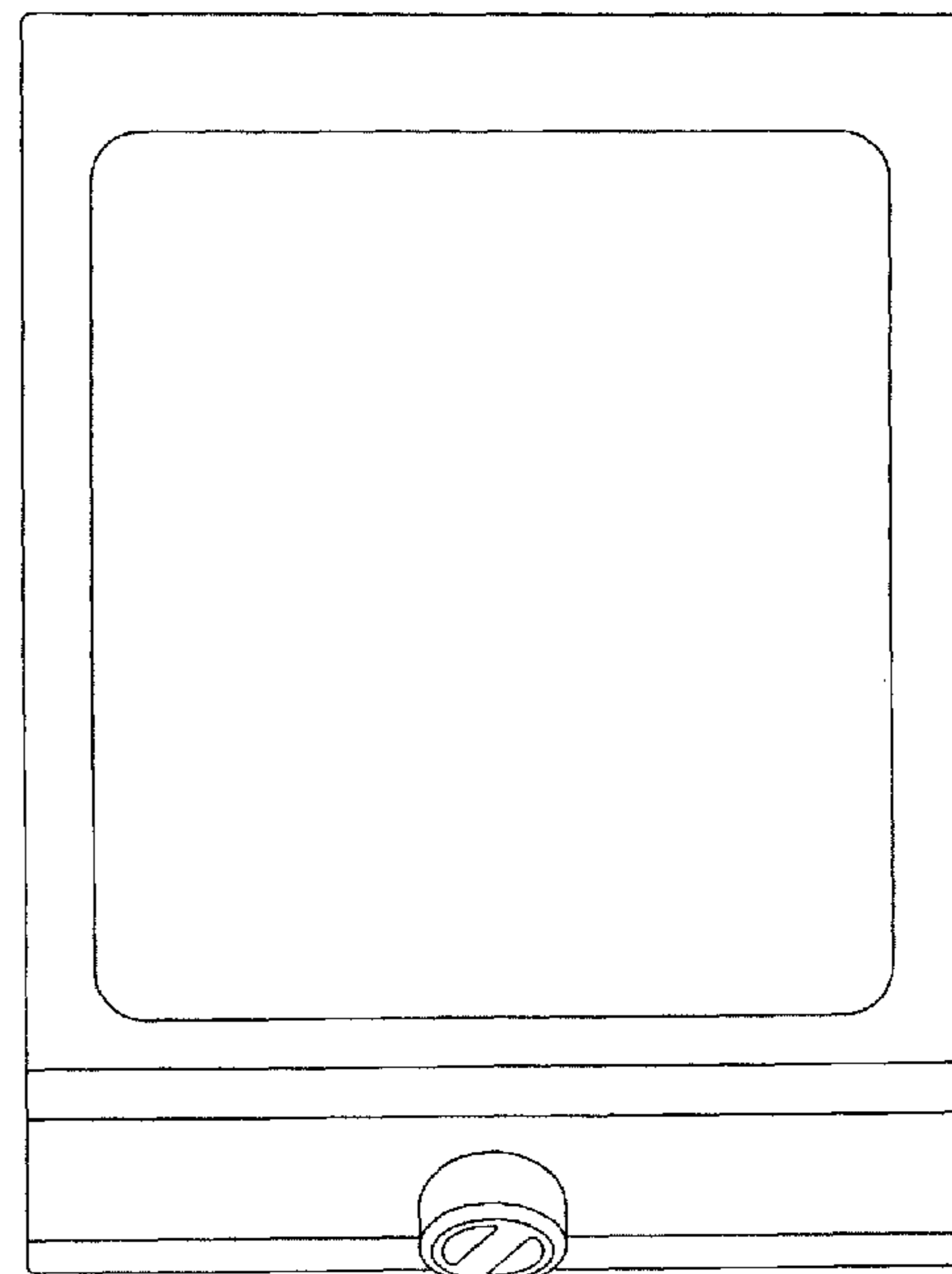
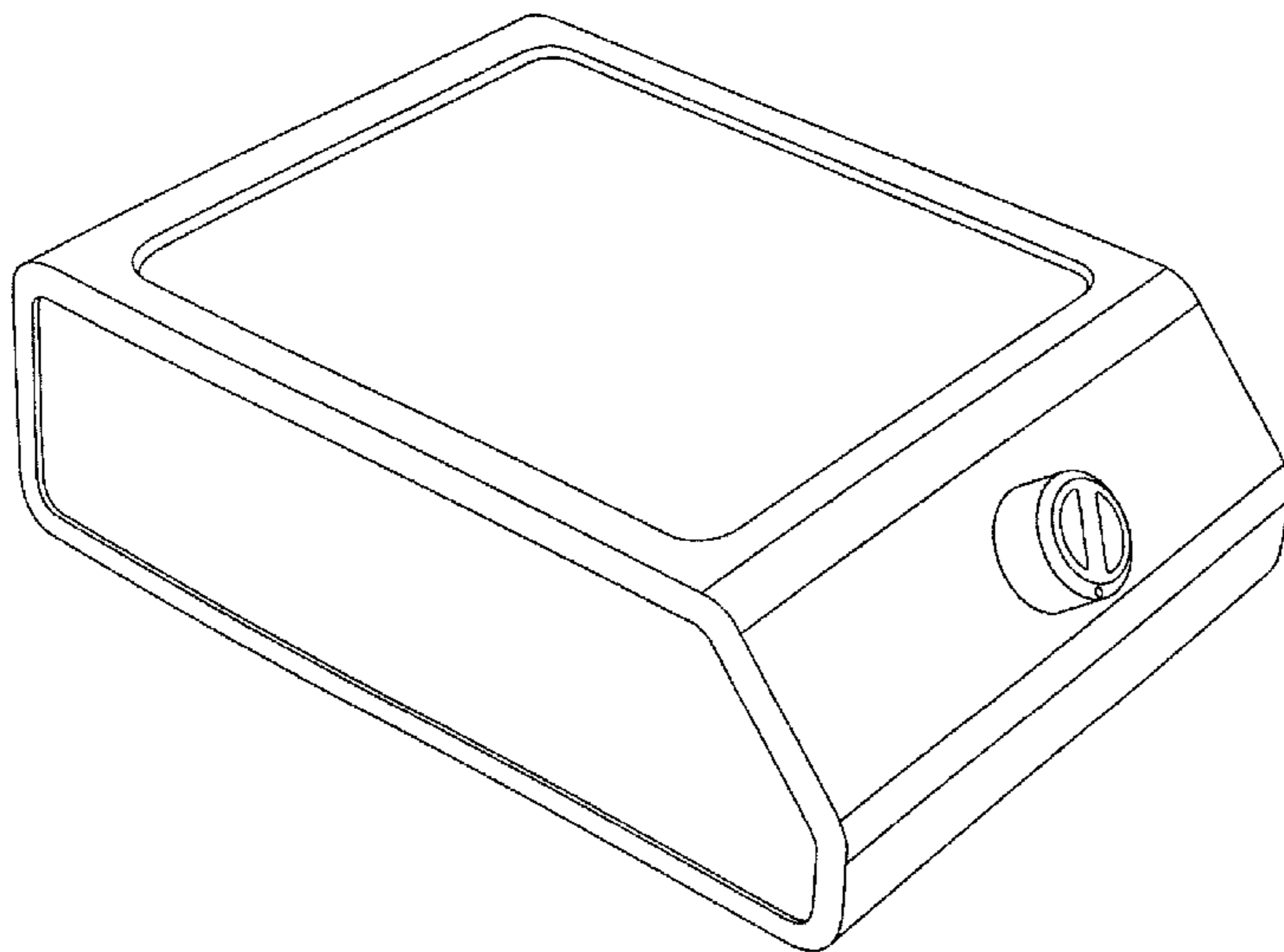
(56) **References Cited**

U.S. PATENT DOCUMENTS

4,611,112 A * 9/1986 Schreder 219/448.11

D299,407 S * 1/1989 Kicherer et al. D7/367

1 Claim, 7 Drawing Sheets



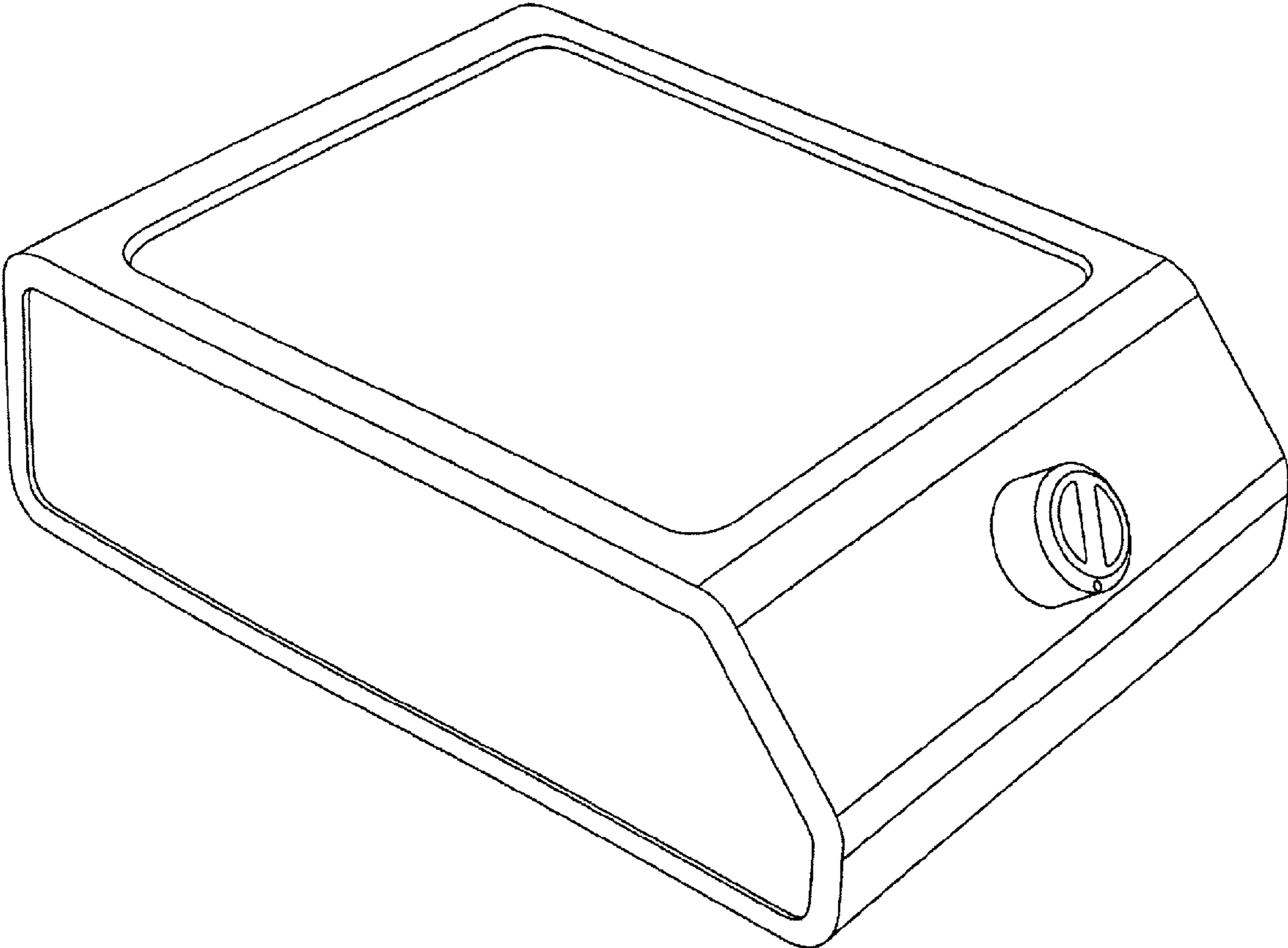


Figure 1

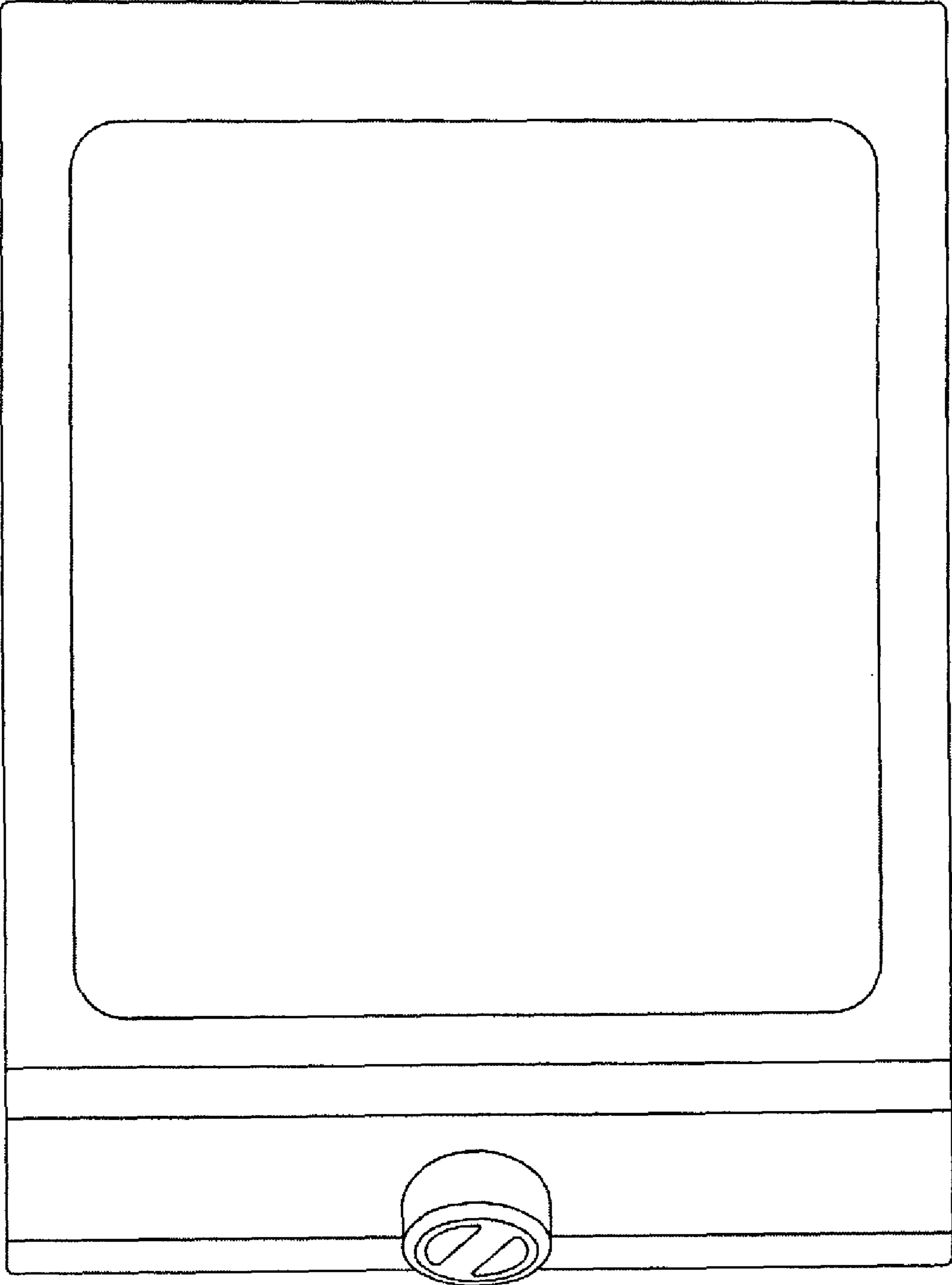


Figure 2

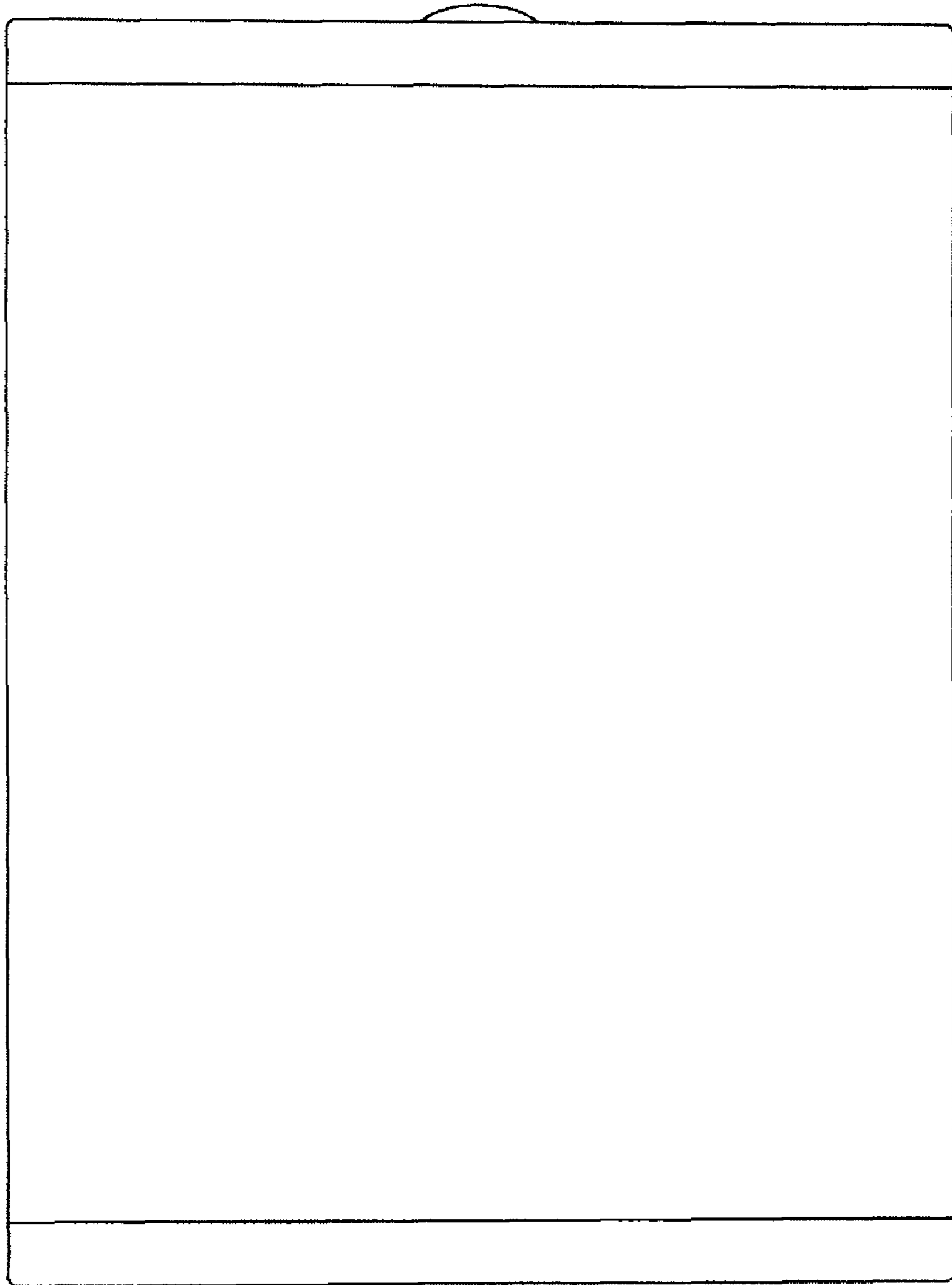


Figure 3

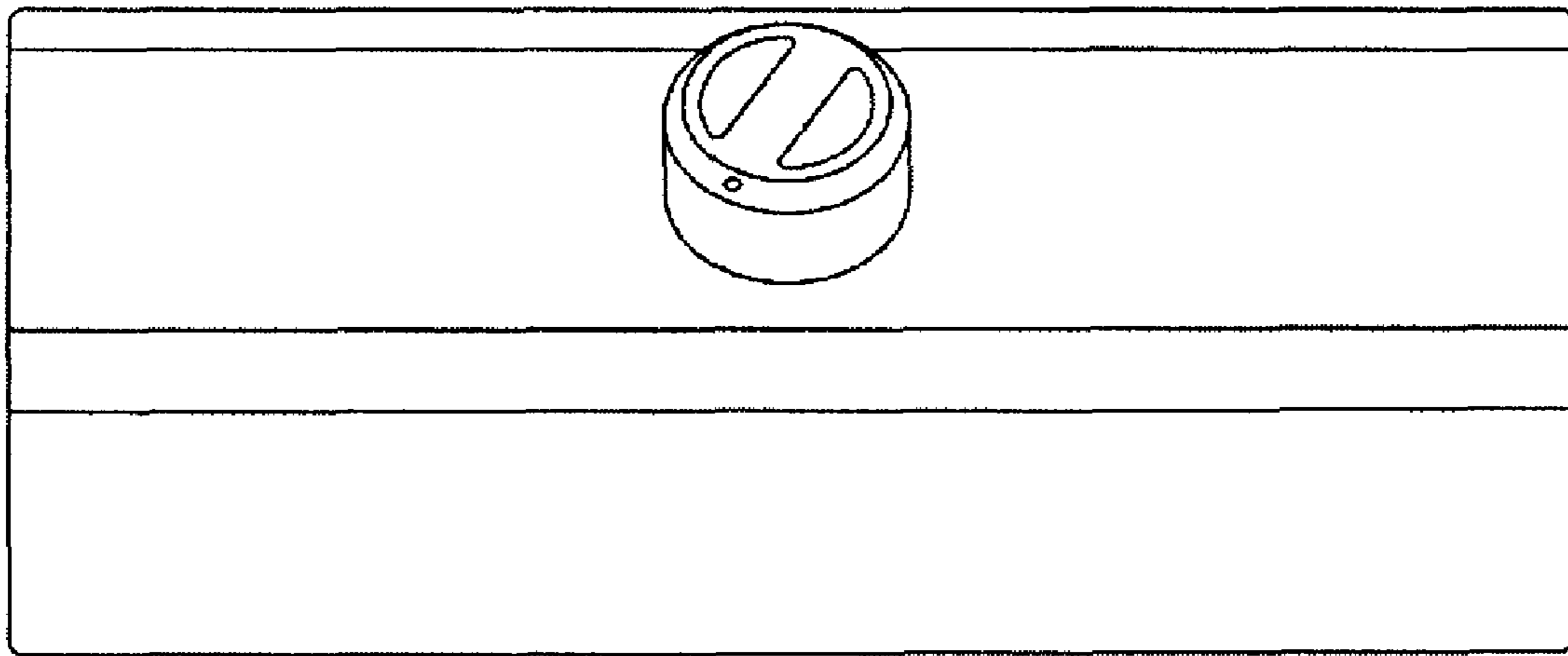


Figure 4

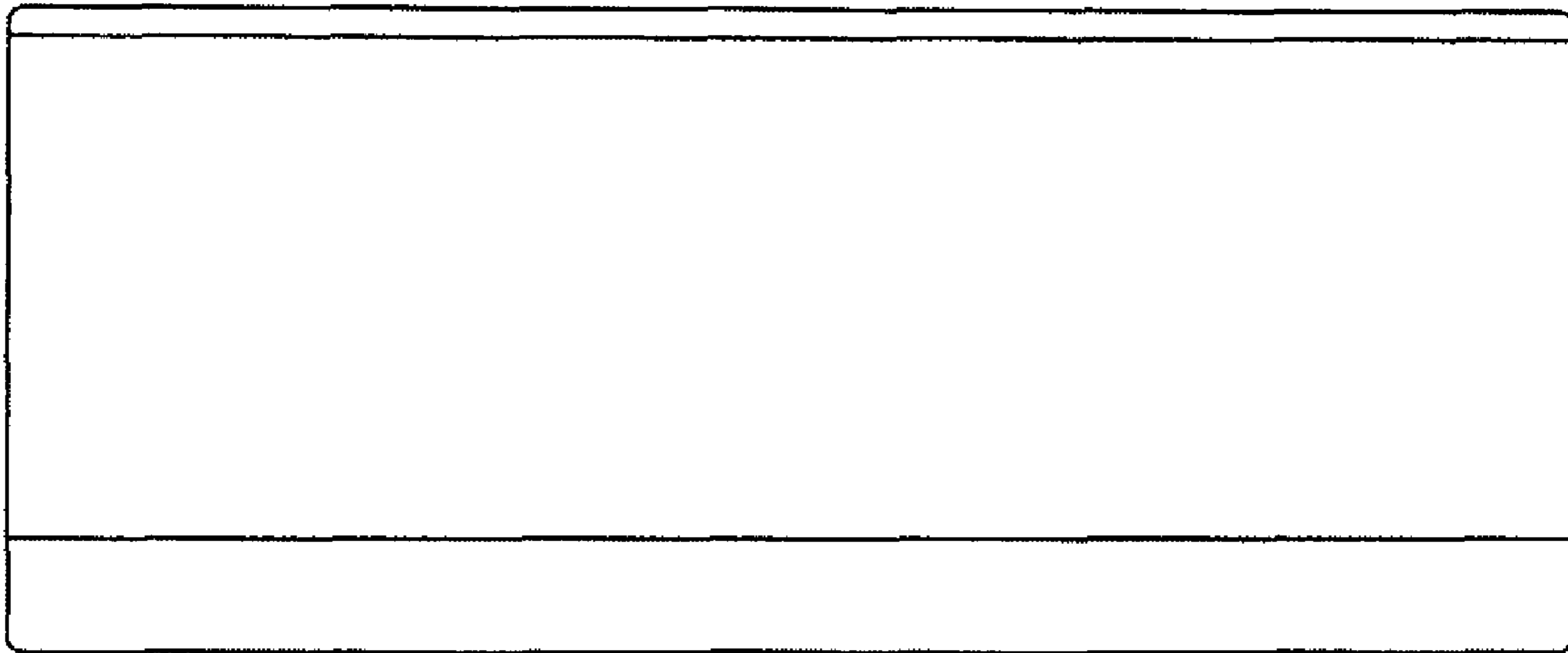


Figure 5

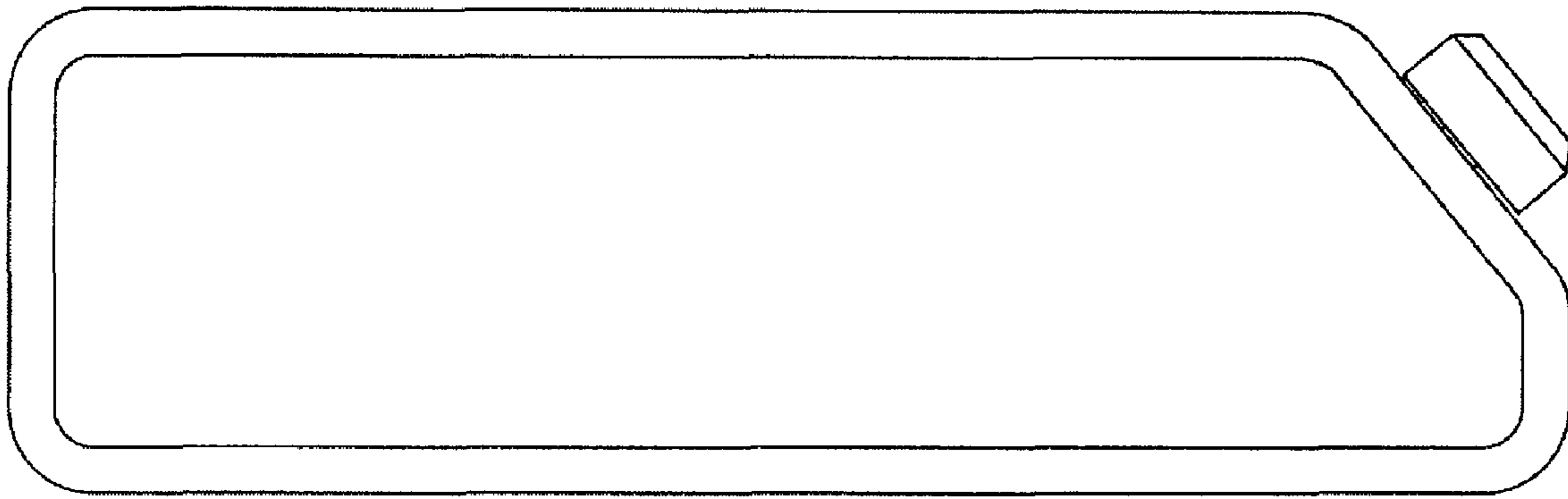


Figure 6

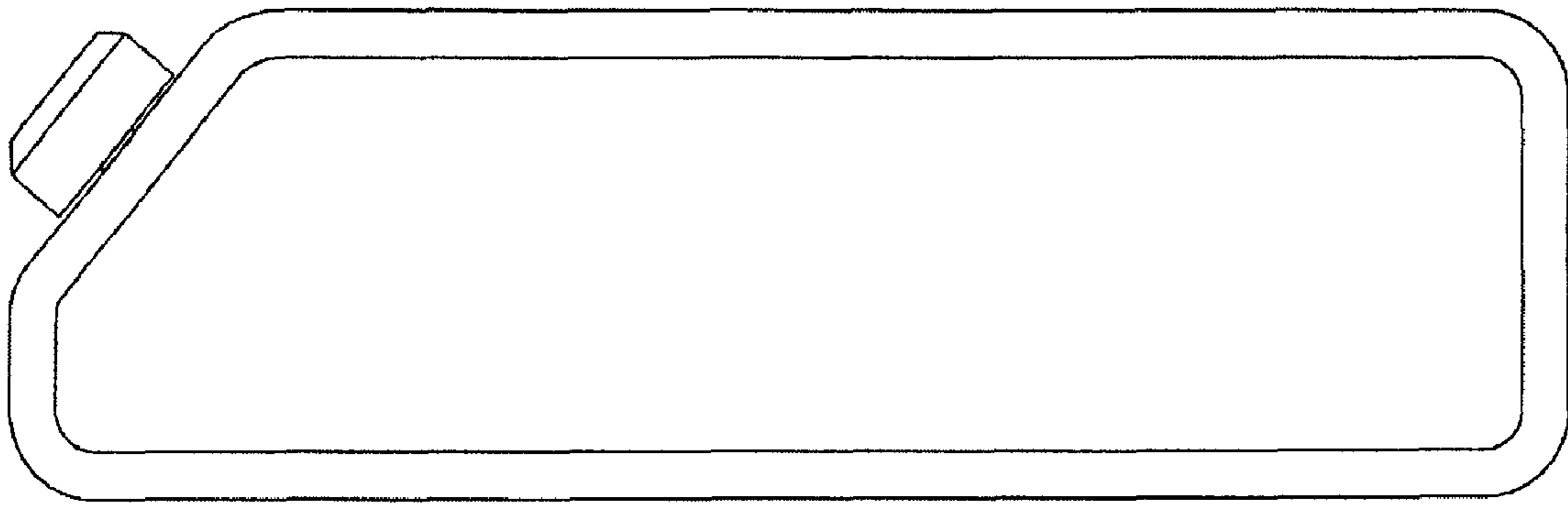


Figure 7