



US00D621204S

(12) **United States Design Patent**
Henry

(10) **Patent No.:** **US D621,204 S**

(45) **Date of Patent:** **** Aug. 10, 2010**

(54) **BAKING PAN**

(75) Inventor: **Louis F Henry**, New York, NY (US)

(73) Assignee: **A2 Inc.**, New York, NY (US)

(**) Term: **14 Years**

(21) Appl. No.: **29/346,405**

(22) Filed: **Oct. 30, 2009**

(51) **LOC (9) Cl.** **07-02**

(52) **U.S. Cl.** **D7/354**

(58) **Field of Classification Search** D1/125,
D1/129; D6/502; D7/323, 354–361, 396.1,
D7/402, 410, 543–549, 550.1, 551.1, 552.1,
D7/553.2, 554.2, 560, 584–587, 602, 609,
D7/673, 675; D9/414, 430, 434, 456, 745,
D9/756, 761; 99/324, 339, 422, 426, 432,
99/446, 448, 450; 220/4.21, 575.1–573.4,
220/574, 600–60, 610, 669, 672–675, 912;
249/66.1, 117, 119, 122–127, 155–156, 160,
249/169

See application file for complete search history.

(56) **References Cited**

U.S. PATENT DOCUMENTS

4,113,225 A * 9/1978 Corse 249/169
D309,230 S * 7/1990 Mulherin D7/673
D351,078 S * 10/1994 Livieratos D6/502
D374,755 S * 10/1996 Gobble et al. D1/125
D401,120 S * 11/1998 Demore D7/609

D438,756 S * 3/2001 Dornbush et al. D7/402
D481,914 S * 11/2003 Short D7/675
D546,027 S * 7/2007 Thiaudiere et al. D1/129
D547,527 S * 7/2007 Thiaudiere et al. D1/129
D566,487 S * 4/2008 Seehoff et al. D7/675
D570,157 S * 6/2008 De La Torre et al. D7/410

* cited by examiner

Primary Examiner—Caron Veynar

Assistant Examiner—Ricky Pham

(74) *Attorney, Agent, or Firm*—Ohlandt, Greeley, Ruggiero & Perle, LLP

(57) **CLAIM**

The ornamental design for the baking pan, as shown and described.

DESCRIPTION

FIG. 1 is a front, perspective view of the baking pan of the present disclosure;

FIG. 2 is a front view of the baking pan of FIG. 1;

FIG. 3 is a rear view of the baking pan of FIG. 1;

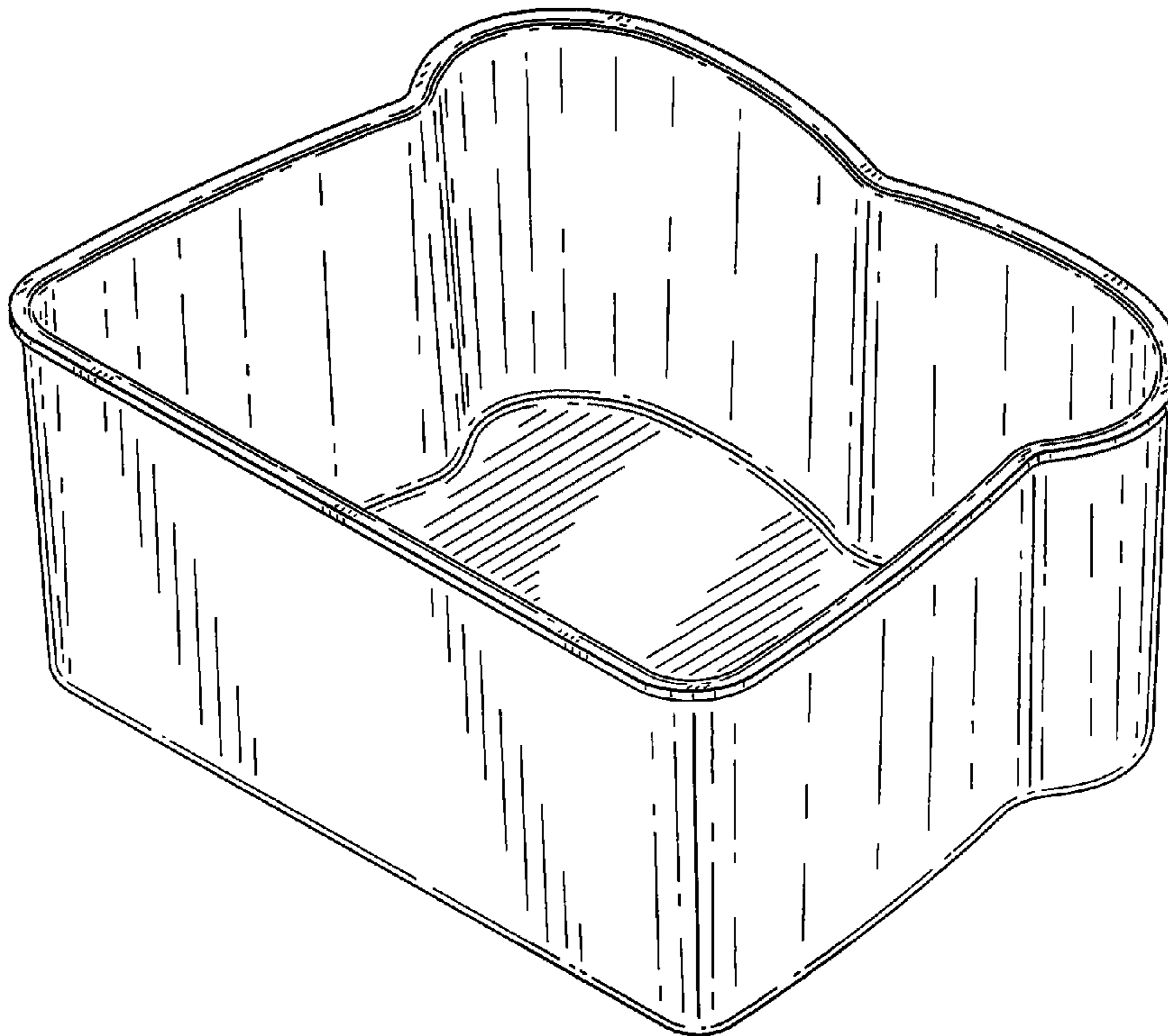
FIG. 4 is a bottom elevation view of the baking pan of FIG. 1;

FIG. 5 is a top elevation view of the baking pan of FIG. 1;

FIG. 6 is a first side elevation view of the baking pan of FIG. 1; and,

FIG. 7 is a second side elevation view of the baking pan of FIG. 1.

1 Claim, 4 Drawing Sheets



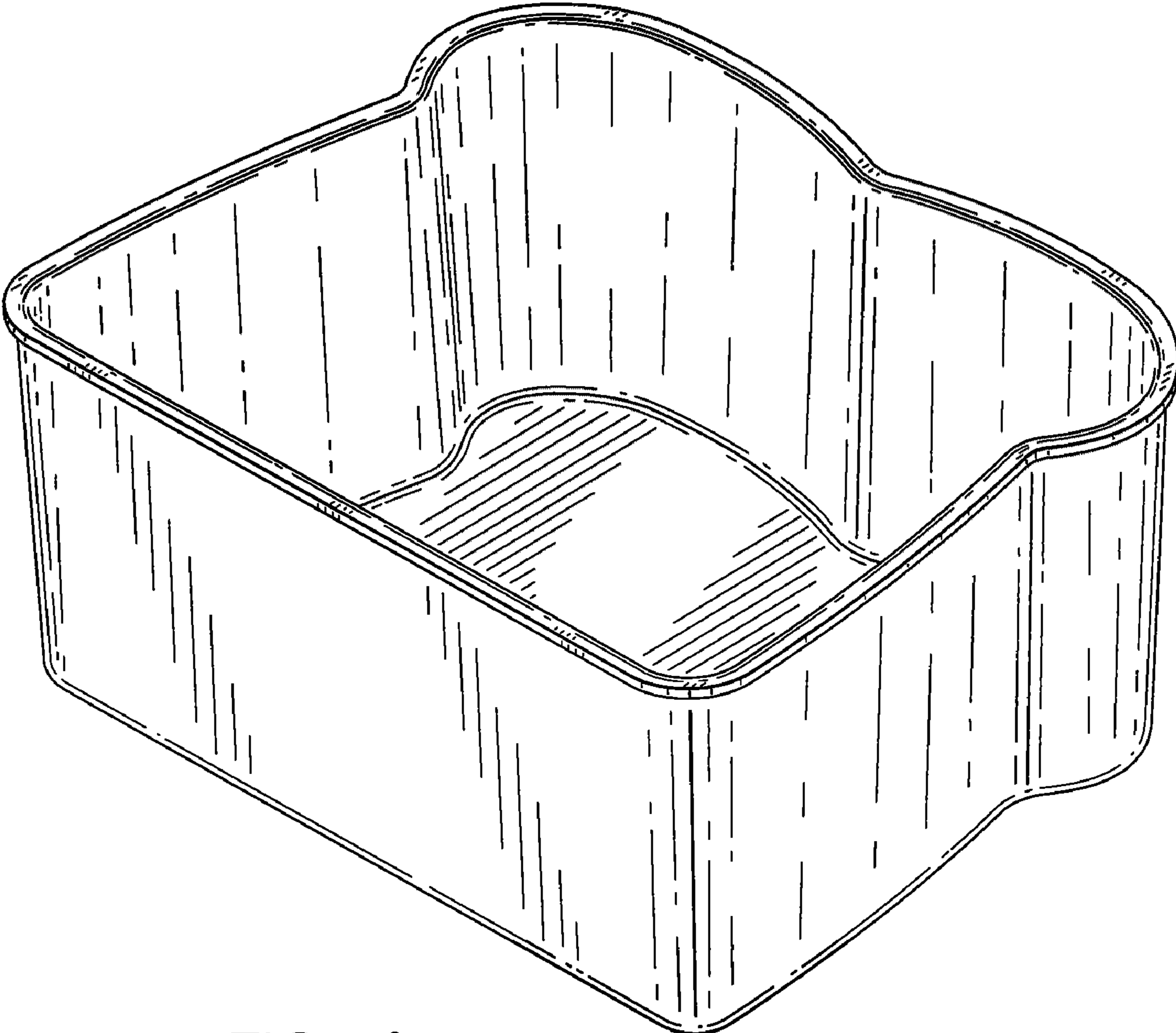


FIG. 1

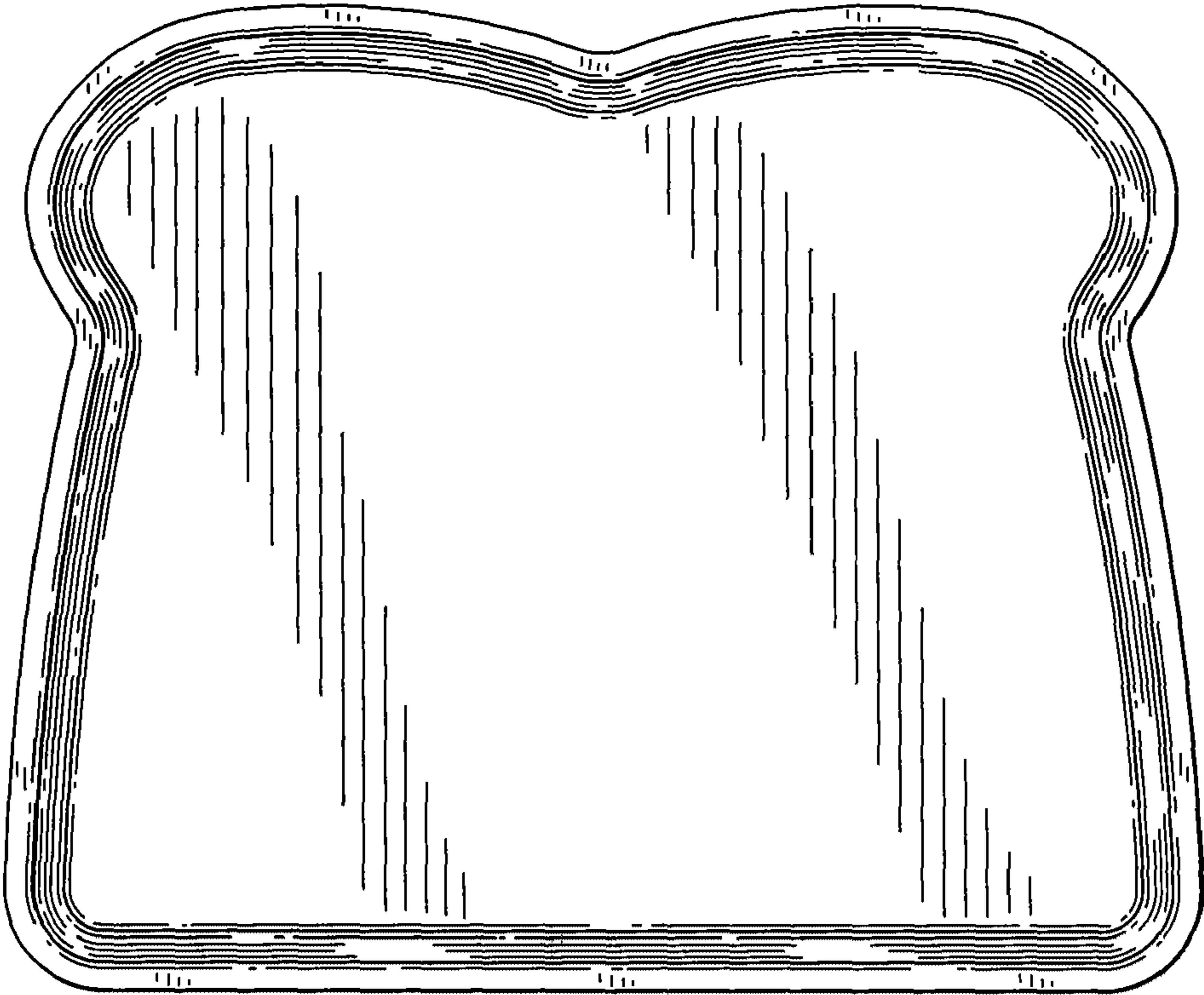


FIG. 2

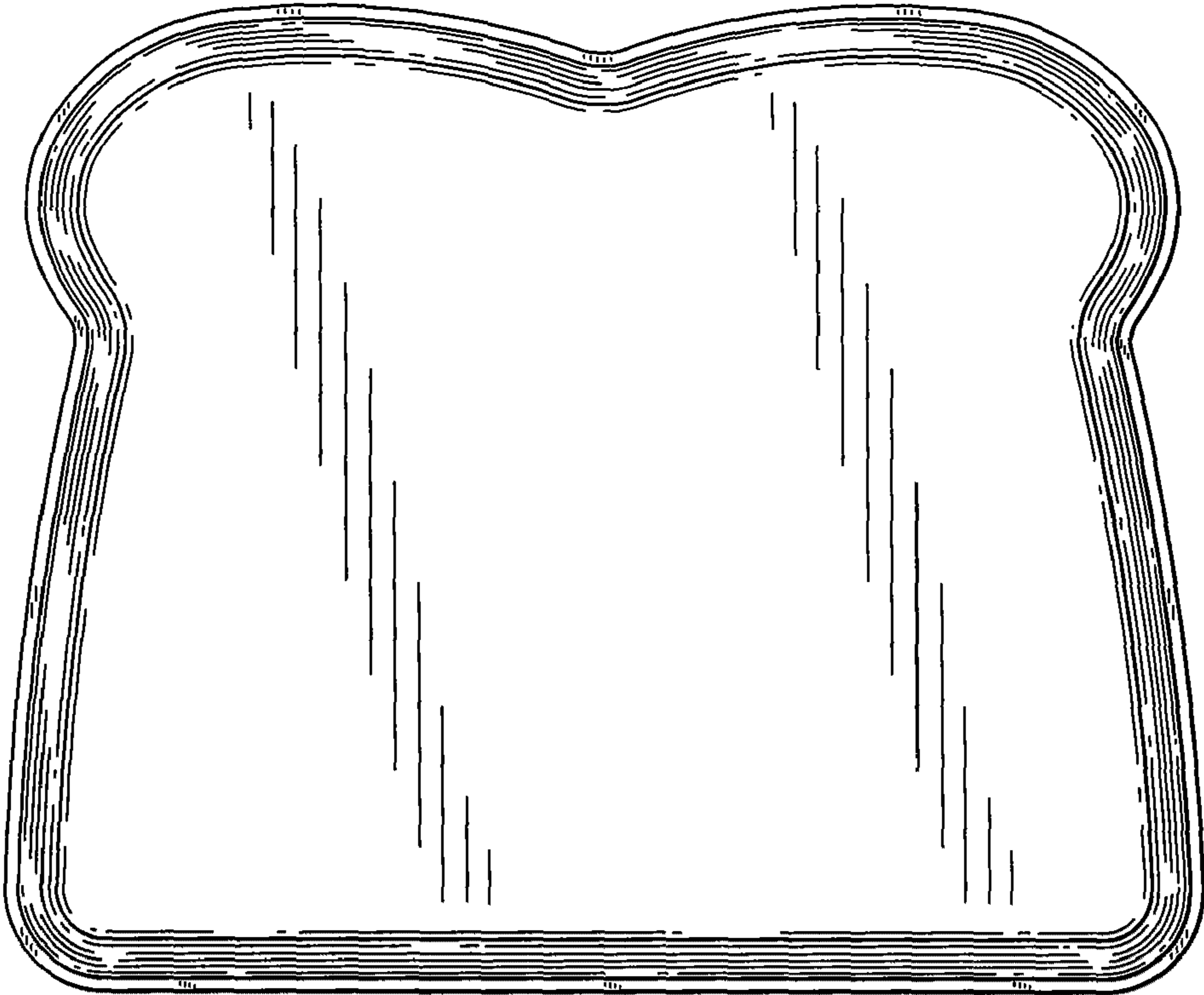


FIG. 3

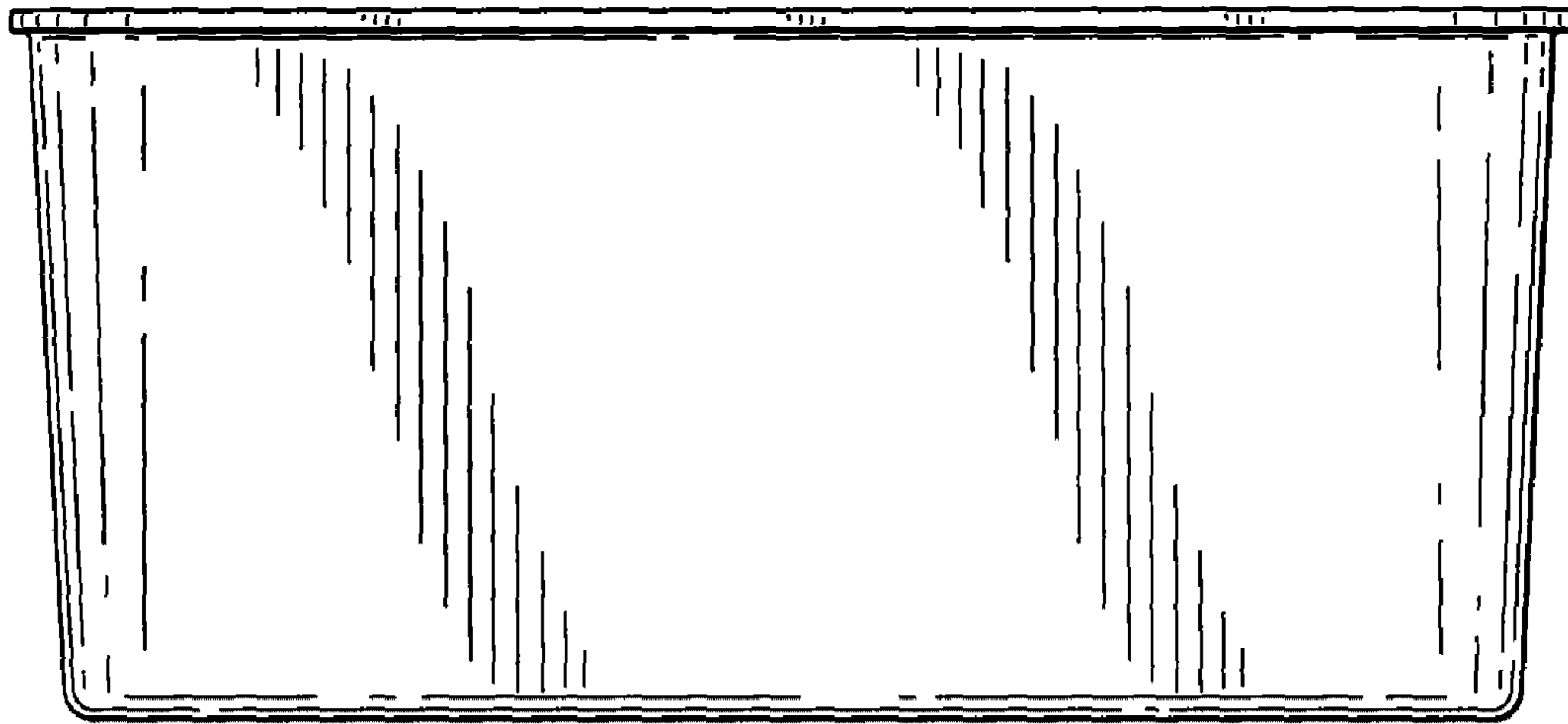


FIG. 4

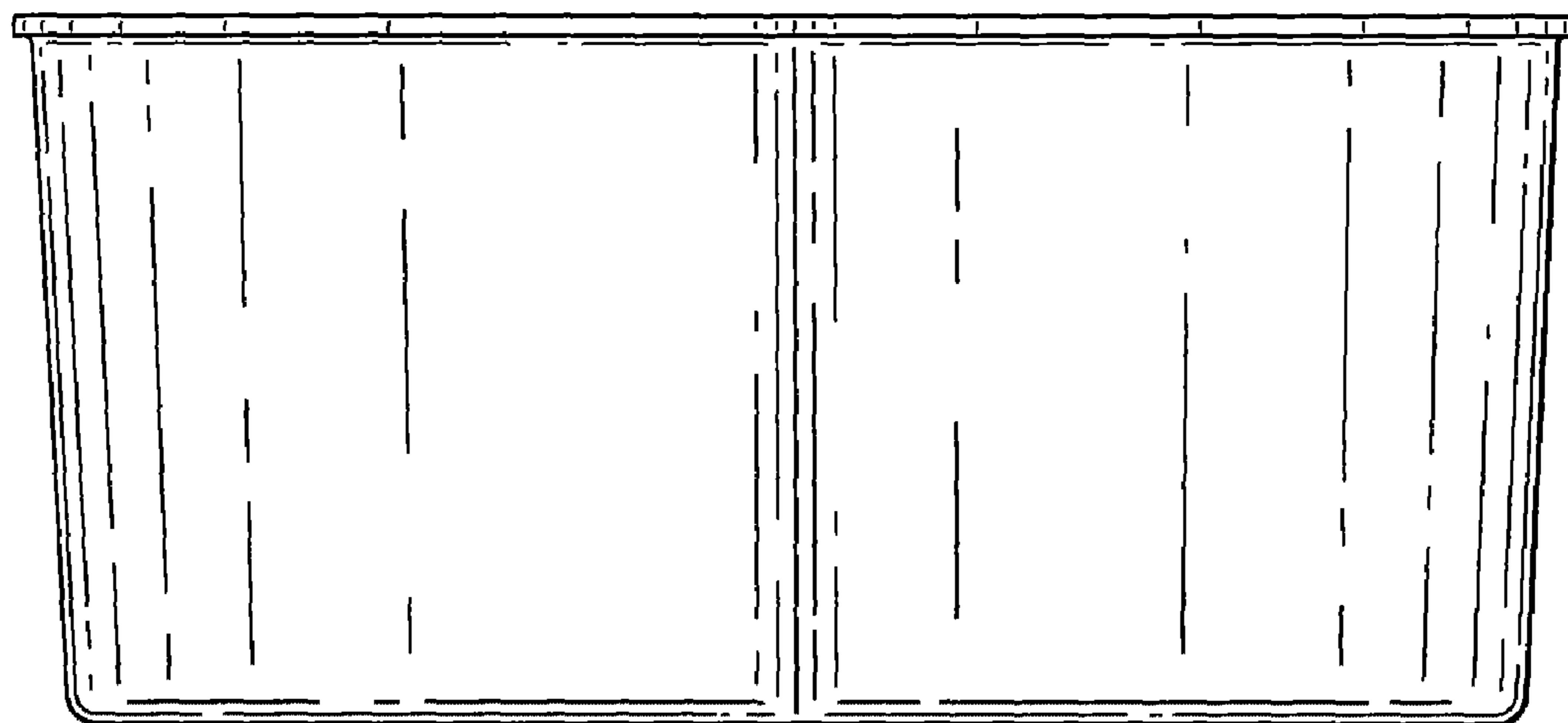


FIG. 5

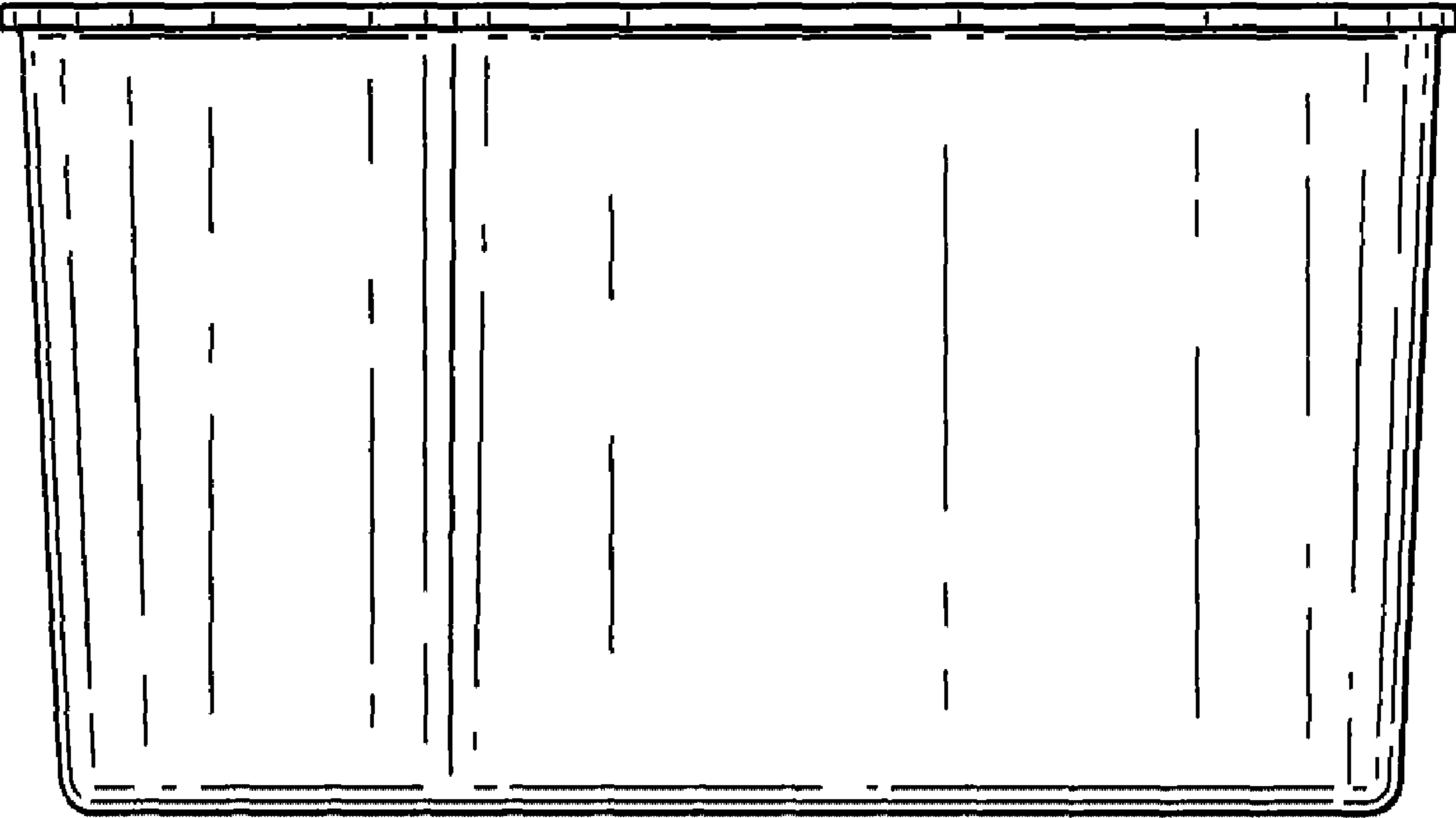


FIG. 6

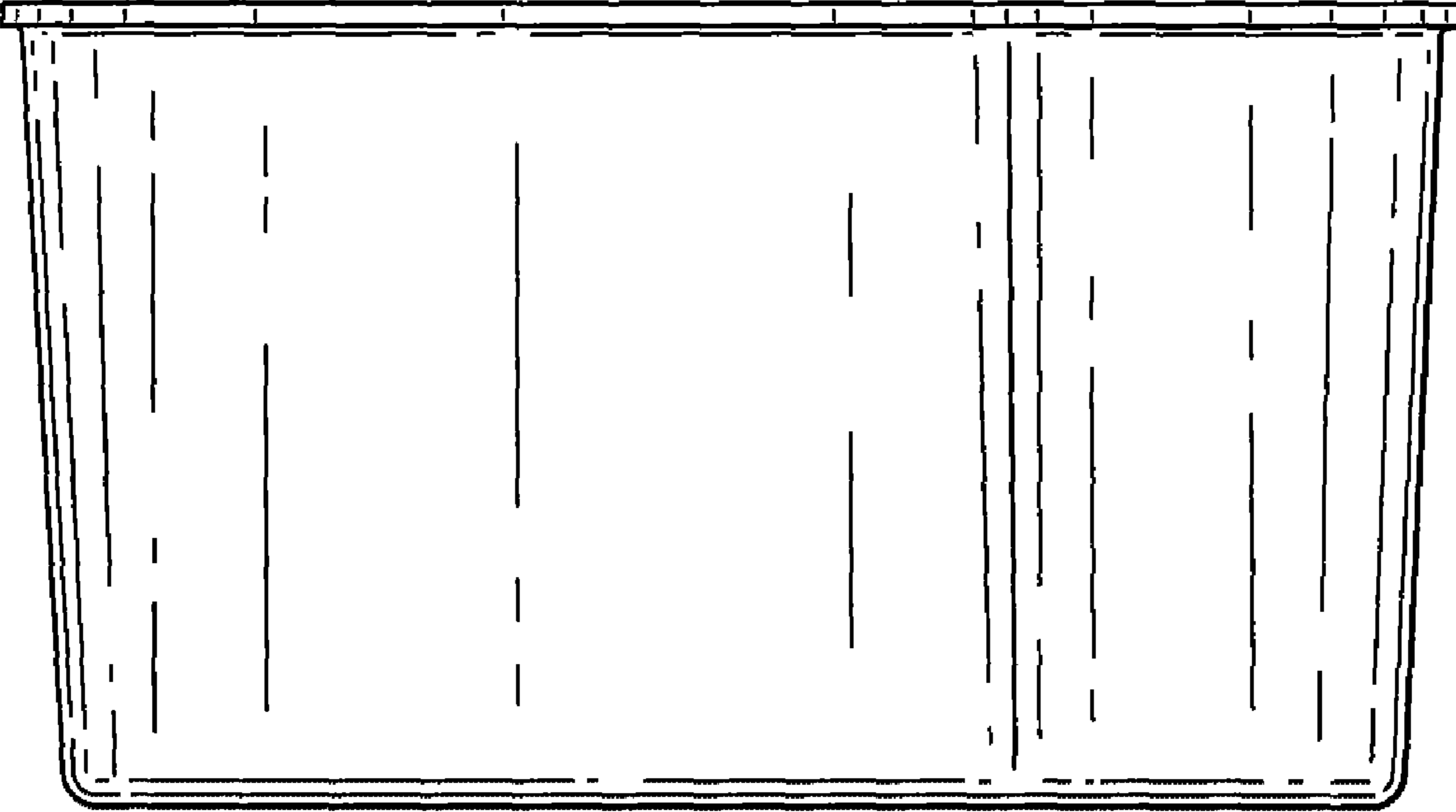


FIG. 7