



US00D621203S

(12) **United States Design Patent**
Huang

(10) **Patent No.:** **US D621,203 S**

(45) **Date of Patent:** **** *Aug. 10, 2010**

(54) **FRYER AND ROASTER**

(75) Inventor: **Chienyao Huang**, Taipei (TW)

(73) Assignee: **Tsann Kuen (Chen) Enterprise Co., Ltd.**, Xiamen, Fujian (CN)

(*) Notice: This patent is subject to a terminal disclaimer.

(**) Term: **14 Years**

(21) Appl. No.: **29/320,938**

(22) Filed: **Jul. 8, 2008**

(30) **Foreign Application Priority Data**

Jan. 11, 2008 (CN) 200830110162

(51) **LOC (9) Cl.** **07-02**

(52) **U.S. Cl.** **D7/352**

(58) **Field of Classification Search** D7/323,
D7/328-332, 334-341, 347-349, 350.3, 351-363,
D7/609; 99/219, 331, 339-340, 349, 369,
99/372-375, 385-386, 389, 392, 425, 444,
99/446, 466, 601, 618, 620; 219/524-525,
219/620-622, 732-734

See application file for complete search history.

(56) **References Cited**

U.S. PATENT DOCUMENTS

D367,993 S * 3/1996 McClean D7/352

D462,229 S * 9/2002 Wu D7/352
D550,025 S * 9/2007 Chao D7/352
D550,026 S * 9/2007 Chao D7/352
D562,620 S * 2/2008 Li D7/352
D575,577 S * 8/2008 Chao D7/360
D594,695 S * 6/2009 Lin D7/360

* cited by examiner

Primary Examiner—Caron Veynar

Assistant Examiner—Ricky Pham

(74) *Attorney, Agent, or Firm*—Kening Li; Pinsent Masons LLP

(57) **CLAIM**

The ornamental design for a fryer and roaster, as shown and described.

DESCRIPTION

FIG. 1 is a front view of the present fryer and roaster;

FIG. 2 is a rear view thereof;

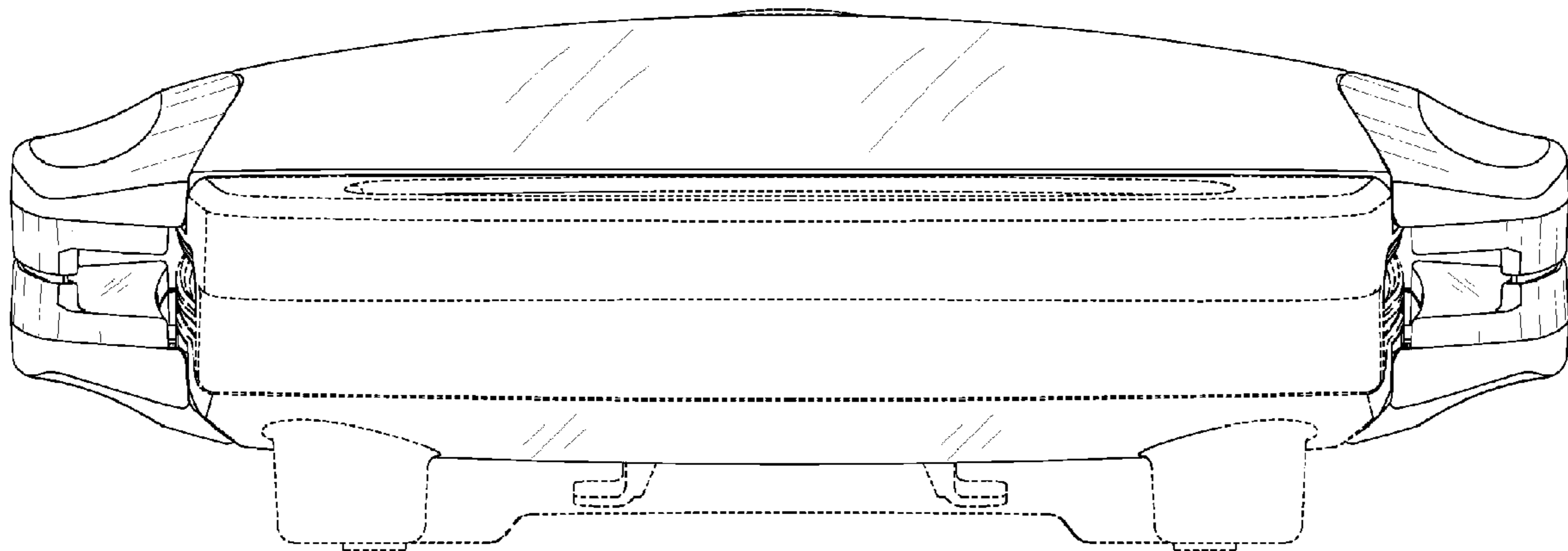
FIG. 3 is a top view thereof;

FIG. 4 is a side elevational view thereof, the opposite side being a mirror image; and,

FIG. 5 is an isometric view thereof.

The subject matter in broken lines is provided for environmental purposes only and is not considered part of the claimed design.

1 Claim, 5 Drawing Sheets



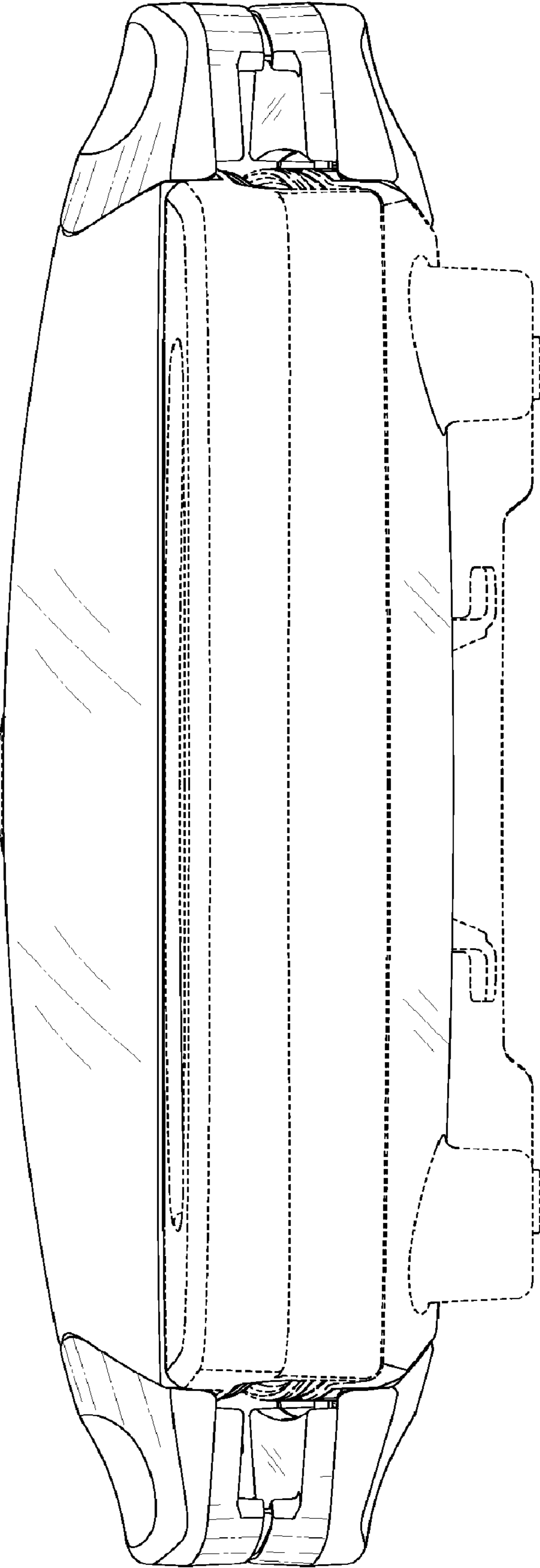


fig.1

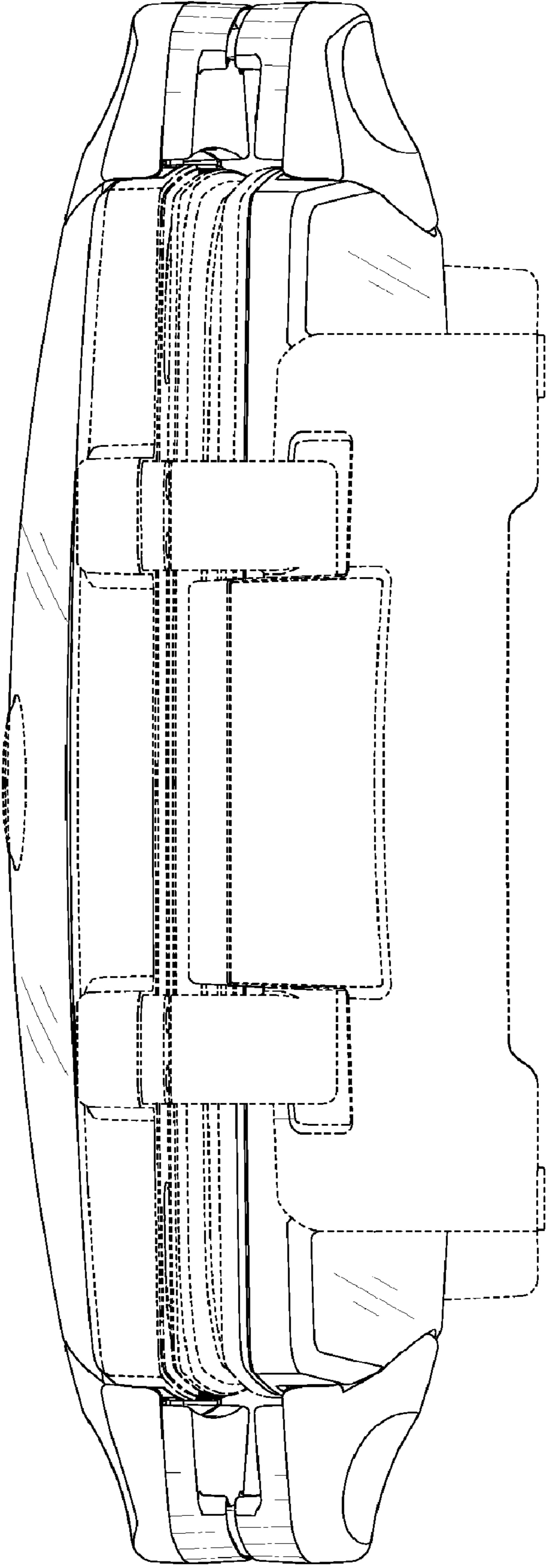


fig.2

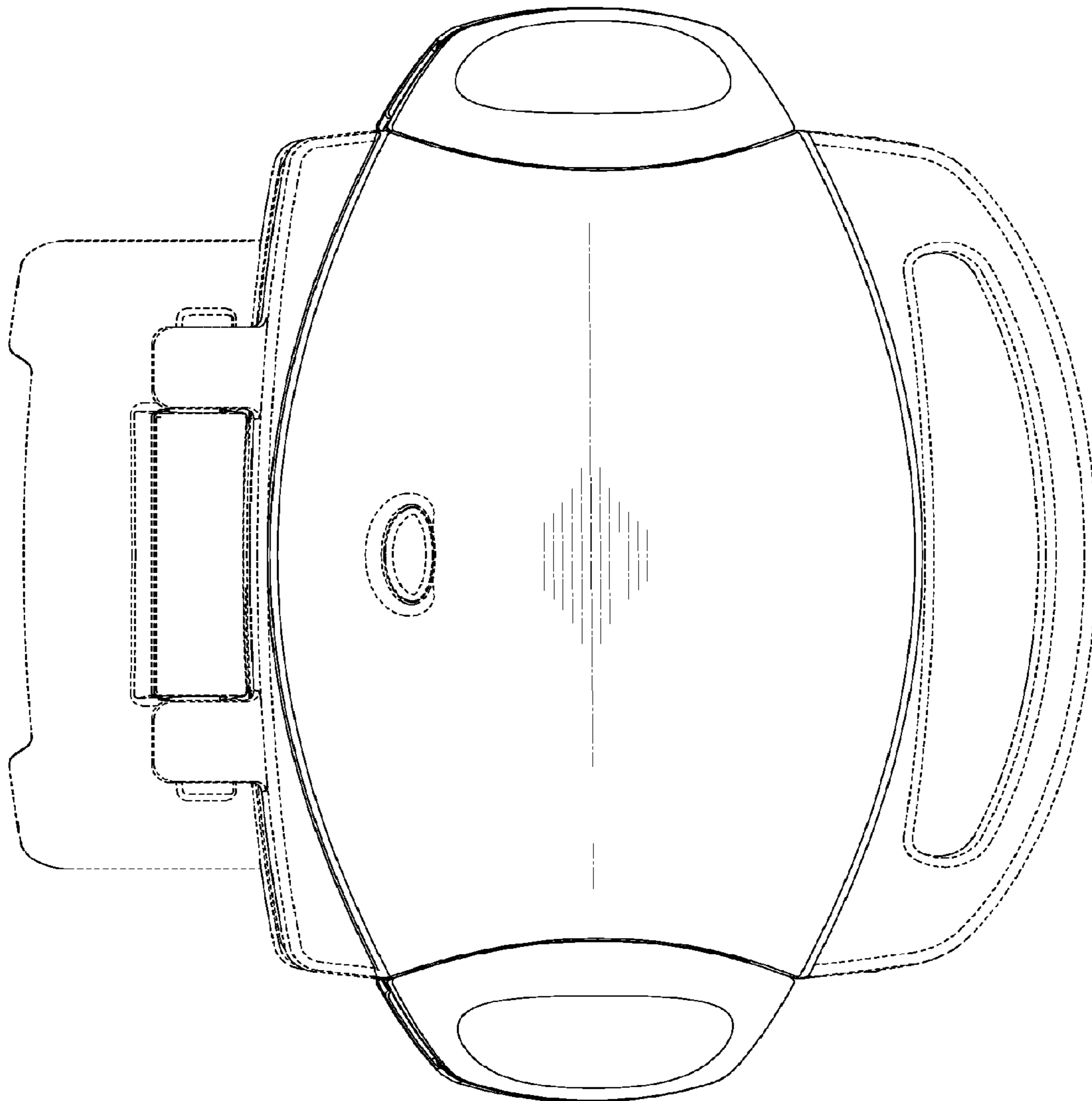


fig.3

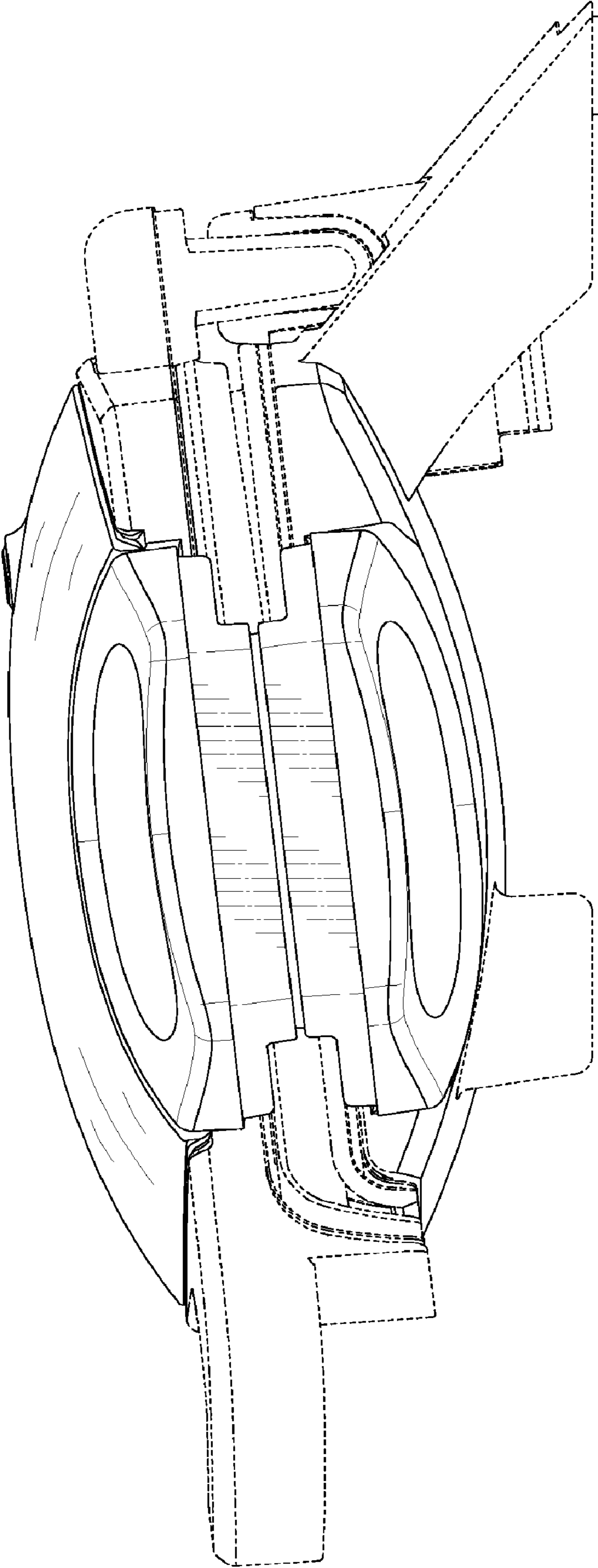


fig.4



fig.5

UNITED STATES PATENT AND TRADEMARK OFFICE
CERTIFICATE OF CORRECTION

PATENT NO. : Des. 621,203 S
APPLICATION NO. : 29/320938
DATED : August 10, 2010
INVENTOR(S) : Chienyao Huang

Page 1 of 1

It is certified that error appears in the above-identified patent and that said Letters Patent is hereby corrected as shown below:

On the Title Pg Item (73) Assignee should read as follows:
Item (73) Assignee: TSANN KUEN (CHINA) ENTERPRISE CO., LTD.

Signed and Sealed this

Fifth Day of October, 2010

A handwritten signature in black ink that reads "David J. Kappos". The signature is written in a cursive, flowing style.

David J. Kappos
Director of the United States Patent and Trademark Office