



US00D621202S

(12) **United States Design Patent**
Pino et al.

(10) **Patent No.:** **US D621,202 S**
(45) **Date of Patent:** **** Aug. 10, 2010**

(54) **COUNTERTOP OVEN**

(75) Inventors: **Giovanni Pino**, Delray Beach, FL (US);
Shane Byler, Mableton, GA (US); **Jeff**
Juskowich, Mableton, GA (US);
Stephen Jones, Atlanta, GA (US)

(73) Assignee: **Sunbeam Products, Inc.**, Boca Raton,
FL (US)

(**) Term: **14 Years**

(21) Appl. No.: **29/351,921**

(22) Filed: **Dec. 14, 2009**

(51) **LOC (9) Cl.** **07-02**

(52) **U.S. Cl.** **D7/350.1**

(58) **Field of Classification Search** D7/350.1,
D7/350.3, 350.4, 351, 402, 405-406; 219/678,
219/756-758, 740; 126/19 M, 275 E, 273 A
See application file for complete search history.

(56) **References Cited**

U.S. PATENT DOCUMENTS

D303,749 S	*	10/1989	Steinkamp	D7/351
D304,411 S	*	11/1989	Yoo	D7/351
D336,814 S	*	6/1993	Brookshire	D7/350.4
D380,643 S	*	7/1997	Piret	D7/350.4
D386,938 S	*	12/1997	Piret	D7/350.4
D412,637 S	*	8/1999	Piret	D7/350.4
D415,926 S	*	11/1999	De'Longhi	D7/350.4
D420,245 S	*	2/2000	De'Longhi	D7/350.4
D444,992 S	*	7/2001	Brady et al.	D7/350.4
D451,752 S	*	12/2001	Davis et al.	D7/350.4
D461,091 S	*	8/2002	Chen	D7/350.4

D466,757 S	*	12/2002	Hsu	D7/350.1
D476,845 S	*	7/2003	Hsu	D7/350.4
D481,582 S	*	11/2003	Seum et al.	D7/350.1
D521,799 S	*	5/2006	Ledingham et al.	D7/350.1
D533,012 S	*	12/2006	Massaloux et al.	D7/350.1
D575,979 S	*	9/2008	Borin	D7/350.1
D586,180 S	*	2/2009	Pino et al.	D7/405
D587,959 S	*	3/2009	Hensel	D7/350.1
D602,306 S	*	10/2009	Lavy	D7/350.1
D613,990 S	*	4/2010	Baek	D7/351
D614,906 S	*	5/2010	Fiorotto	D7/350.1
D615,804 S	*	5/2010	Baek	D7/351

* cited by examiner

Primary Examiner—Ruth McInroy

(74) *Attorney, Agent, or Firm*—Seth M. Blum

(57) **CLAIM**

The ornamental design for a countertop oven, as shown and described.

DESCRIPTION

FIG. 1 is a front perspective view of a countertop oven showing our new design;

FIG. 2 is a front elevation view thereof;

FIG. 3 is a back elevation view thereof;

FIG. 4 is a left side elevation view thereof;

FIG. 5 is a right side elevation view thereof;

FIG. 6 is a top plan view thereof; and,

FIG. 7 is a bottom plan view thereof.

The broken lines in the drawings are for illustrative purposes only and form no part of the claimed design.

1 Claim, 4 Drawing Sheets

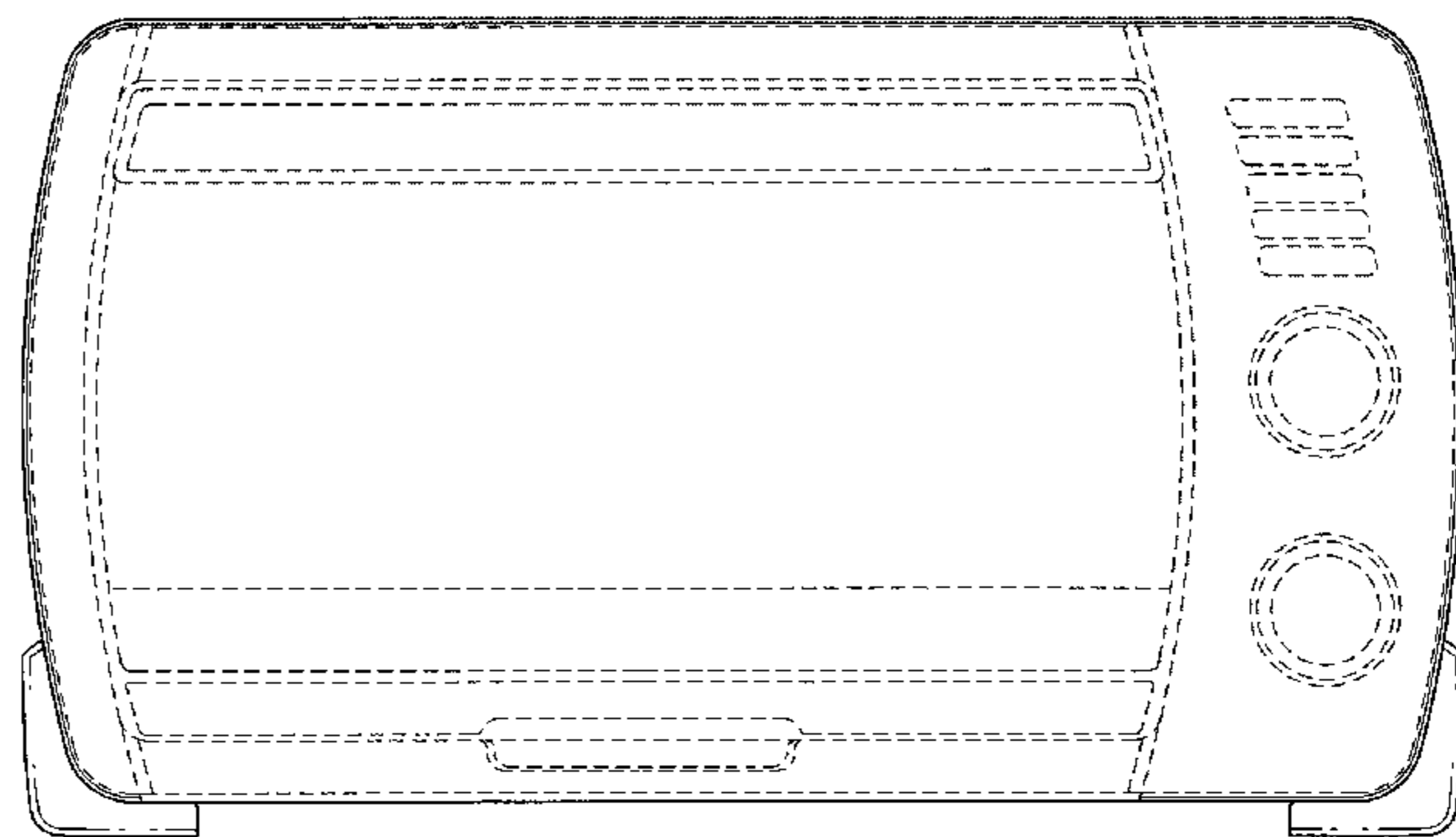
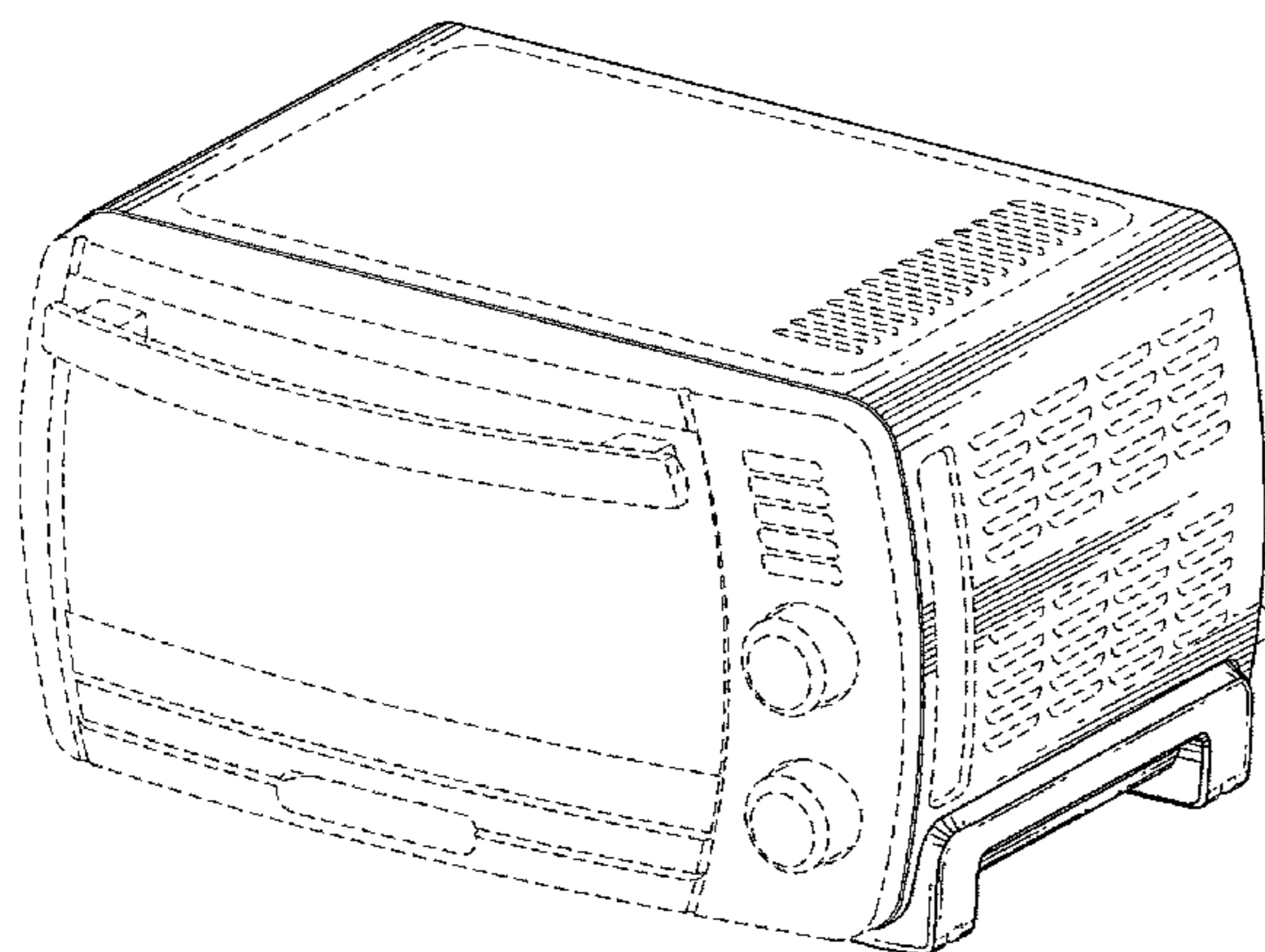


FIG. 1

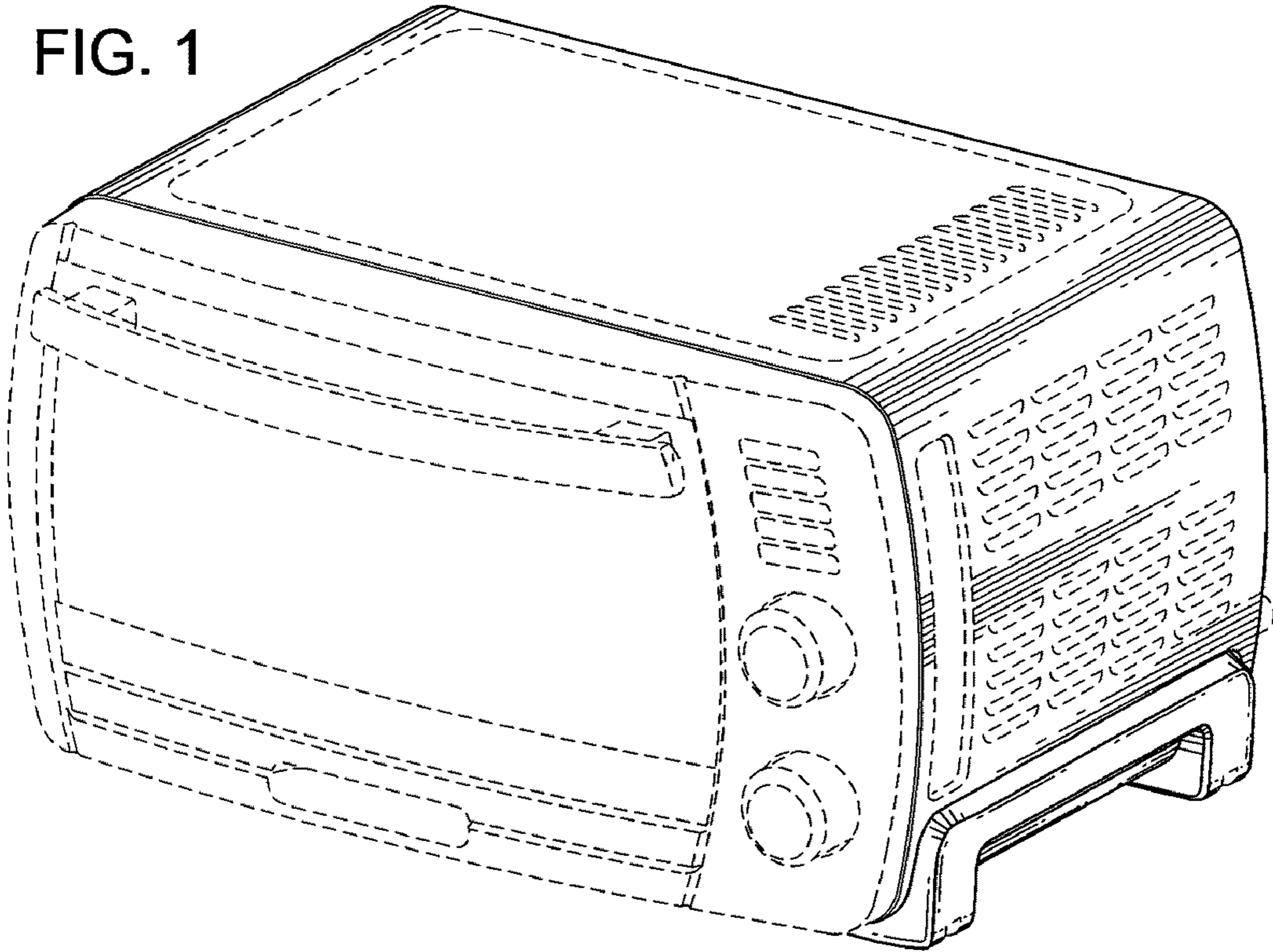


FIG. 2

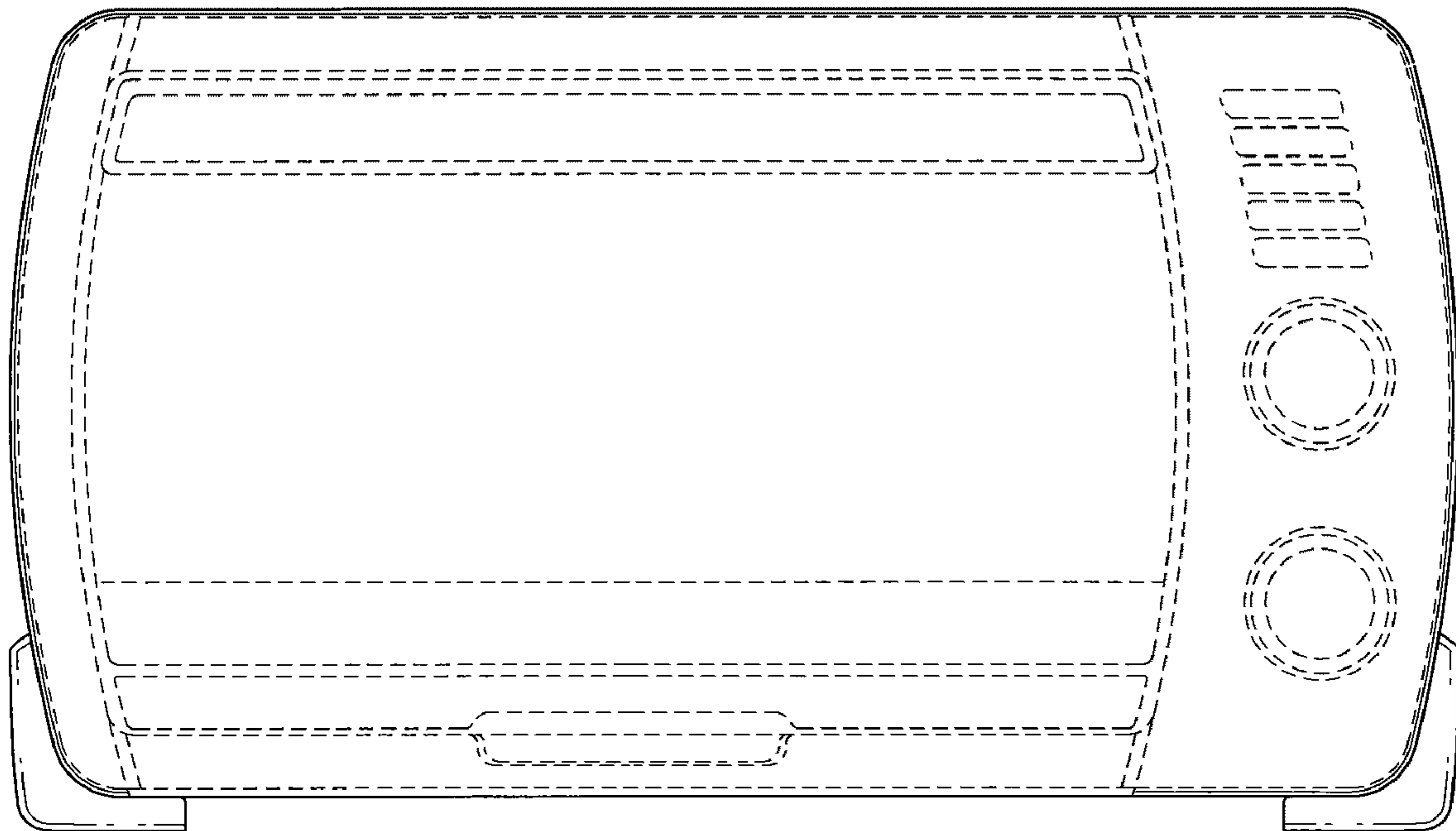


FIG. 3

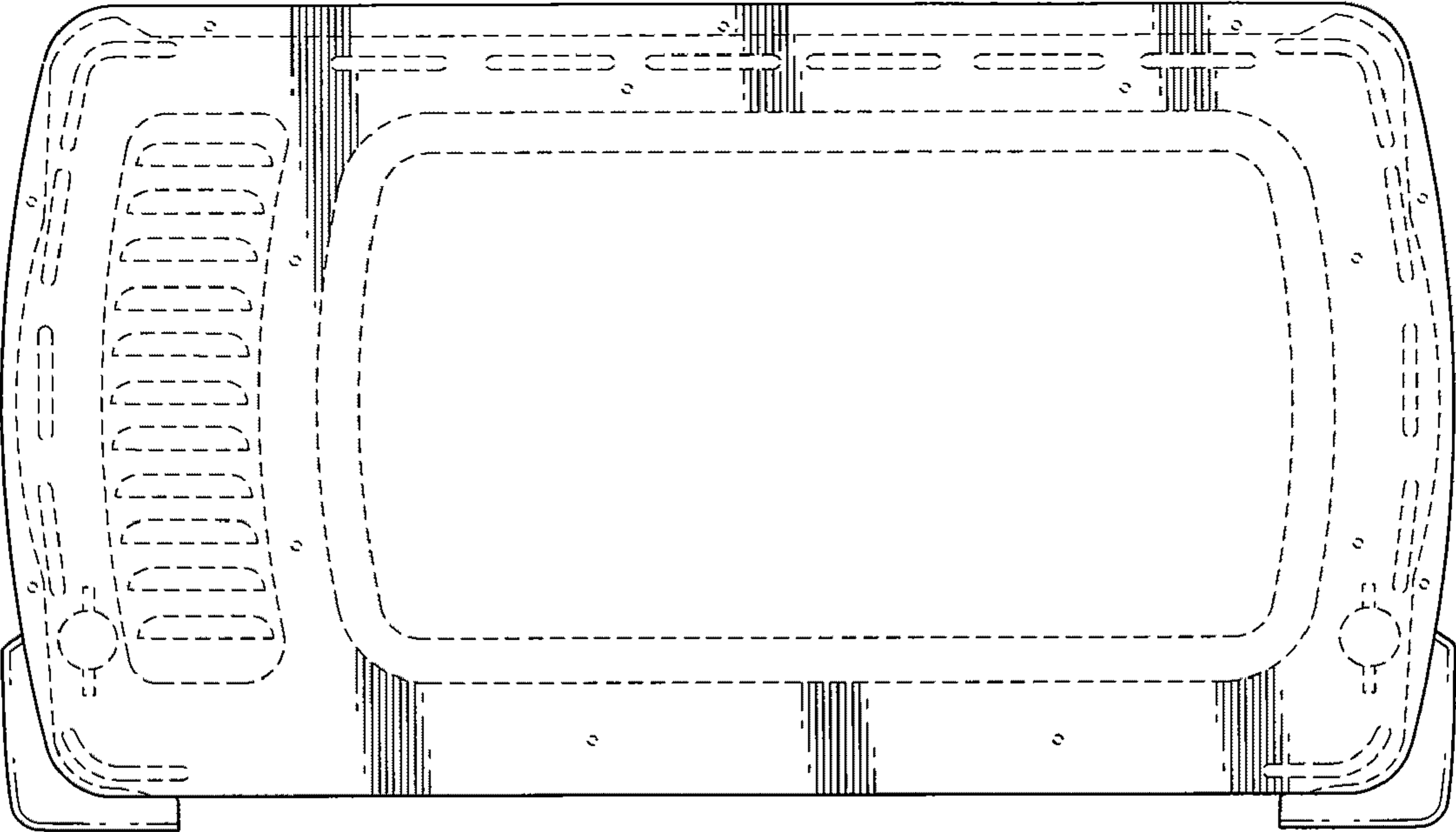


FIG. 4

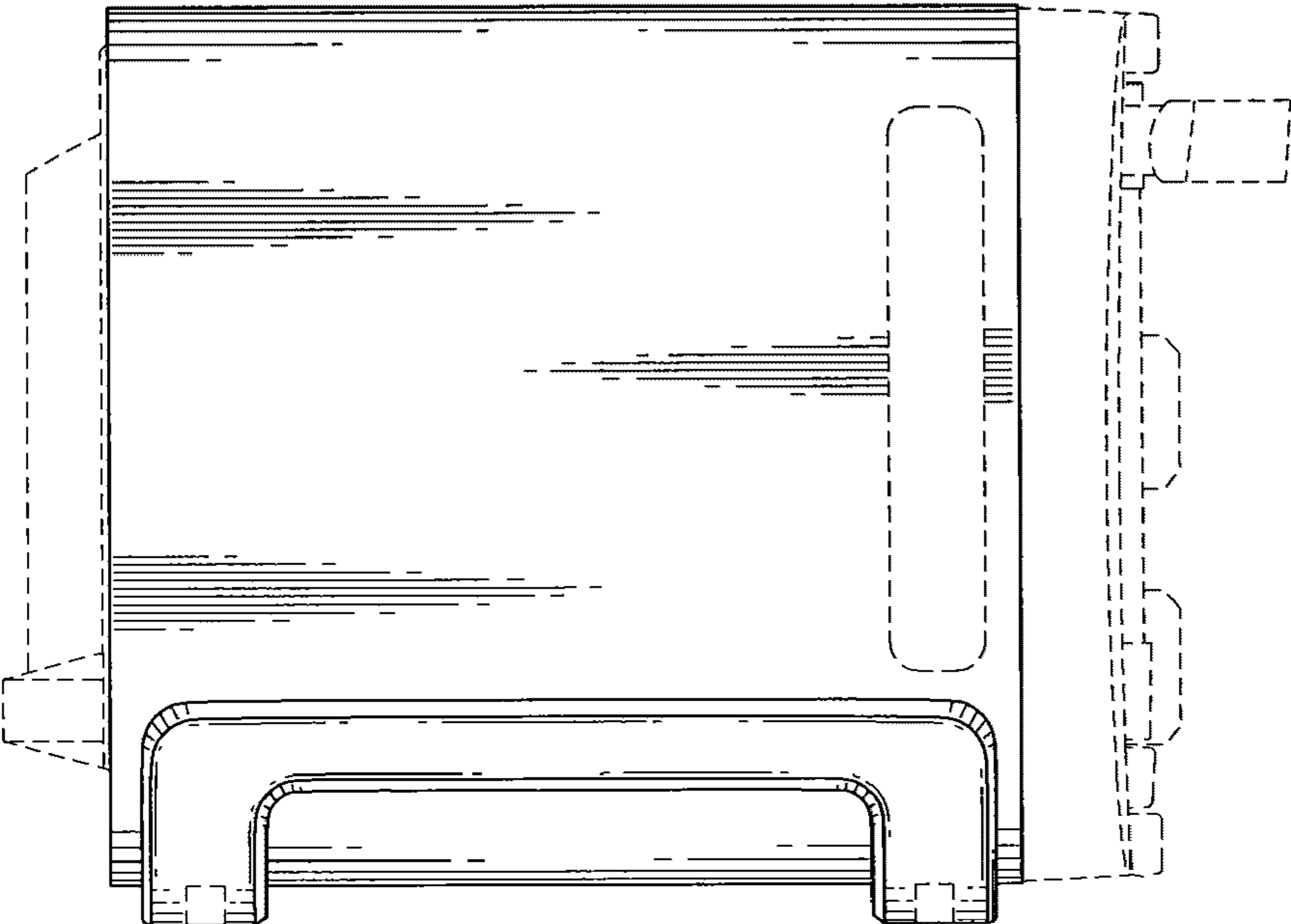


FIG. 5

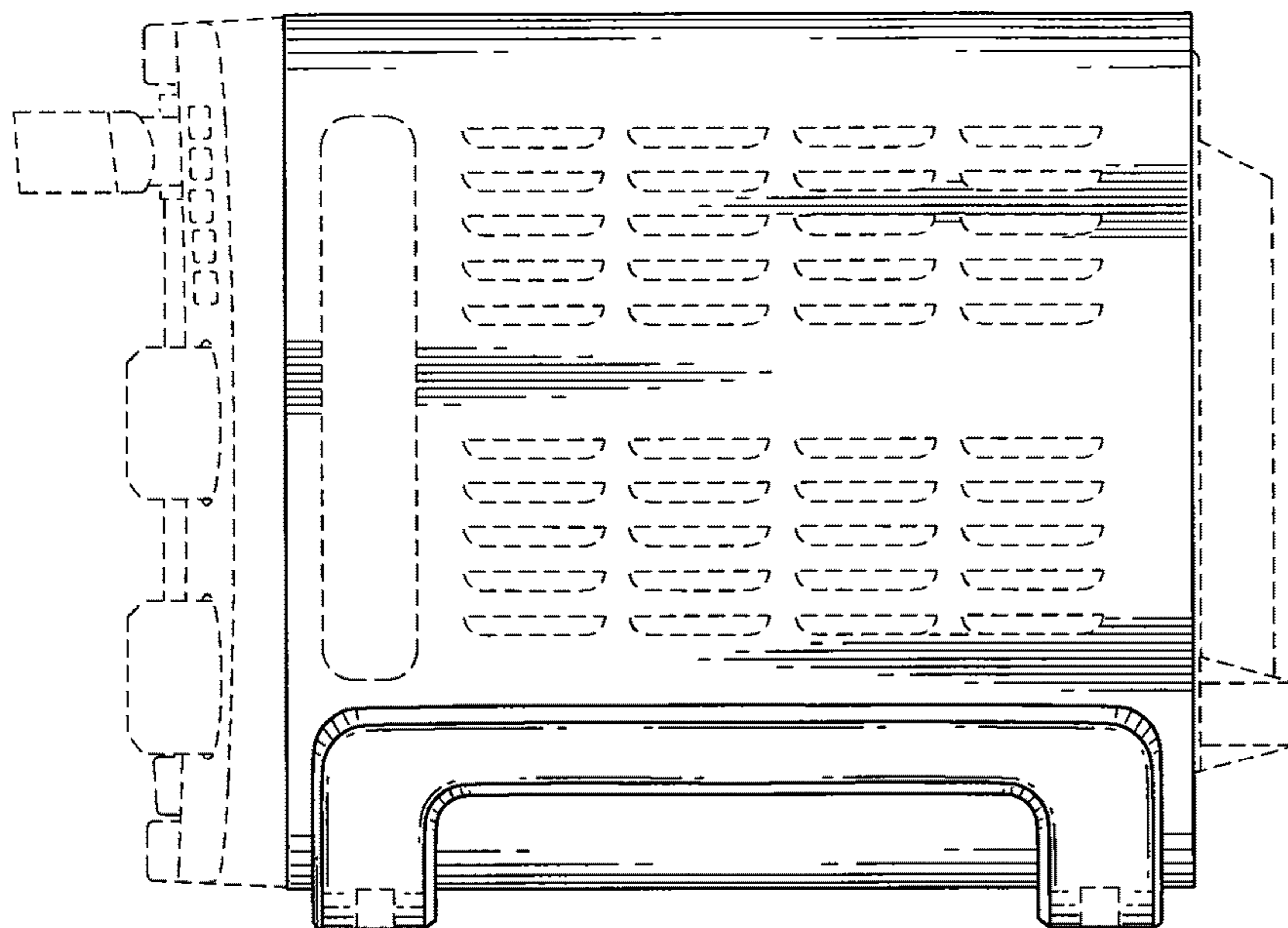


FIG. 6

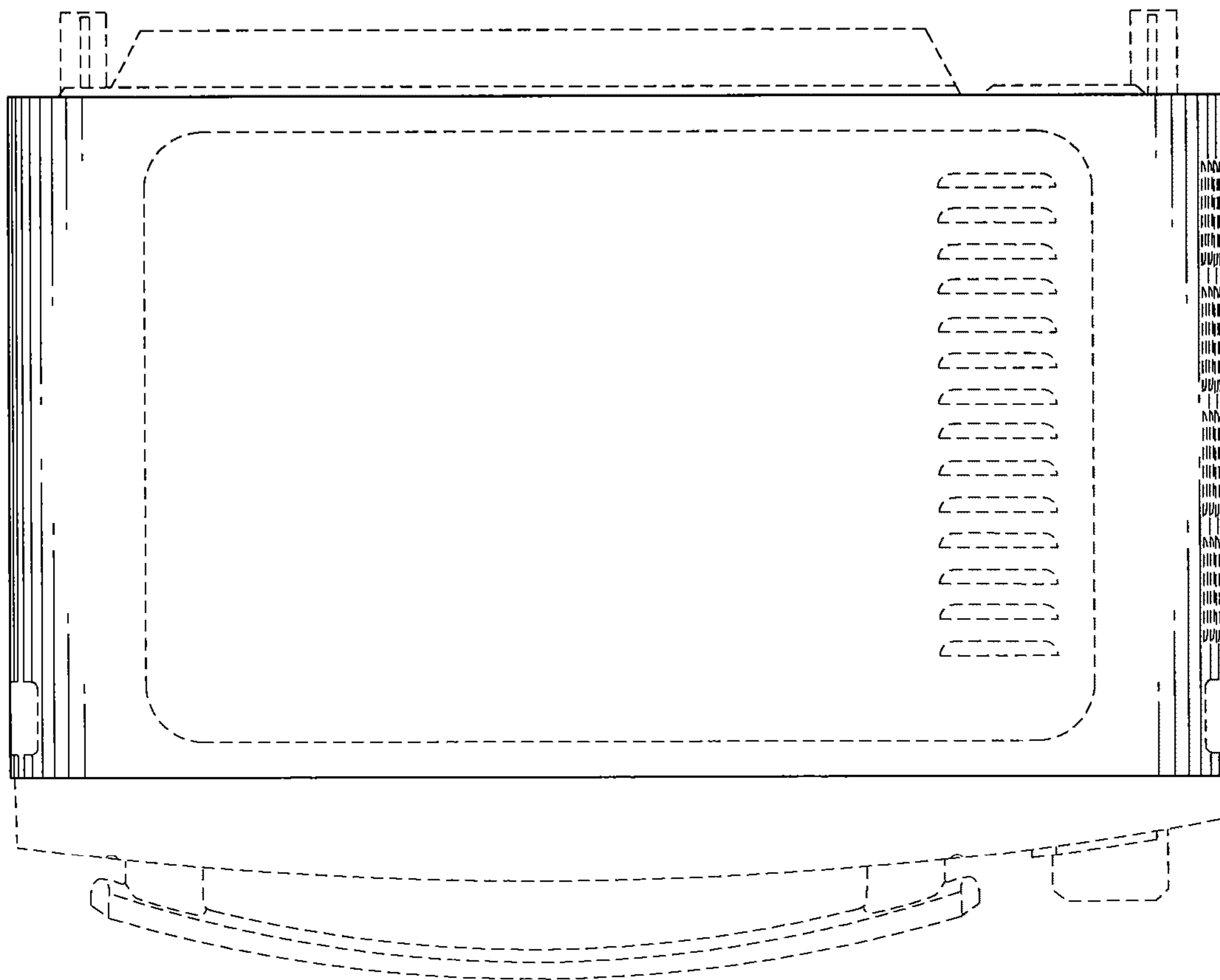


FIG. 7

