

US00D621201S

(12) **United States Design Patent**
Proffitt et al.

(10) **Patent No.:** **US D621,201 S**

(45) **Date of Patent:** **** Aug. 10, 2010**

(54) **GAS GRILL**

(75) Inventors: **Mark Proffitt**, Greeneville, TN (US);
Devin Lee Moore, Decatur, GA (US);
Collin Sobczynski Farill, Decatur, GA (US)

(73) Assignee: **Meco Corporation**, Greeneville, TN (US)

(**) Term: **14 Years**

(21) Appl. No.: **29/333,549**

(22) Filed: **Mar. 11, 2009**

Related U.S. Application Data

(62) Division of application No. 29/299,821, filed on Jan. 4, 2008.

(51) **LOC (9) Cl.** **07-02**

(52) **U.S. Cl.** **D7/334**

(58) **Field of Classification Search** D7/332-337,
D7/402-405, 352-353; 126/519, 25 R, 25 A,
126/25 AA, 41 R, 29-30, 9 R, 38, 37 R, 40,
126/50, 250; 99/444-445, 481-482, 372,
99/375, 250, 389

See application file for complete search history.

(56) **References Cited**

U.S. PATENT DOCUMENTS

D406,489 S * 3/1999 Williams et al. D7/334

D521,308 S *	5/2006	Tseng	D7/334
D549,511 S *	8/2007	Chung	D7/334
D566,456 S *	4/2008	Proffitt	D7/334
D569,168 S *	5/2008	Pai	D7/334
D571,142 S *	6/2008	Chung	D7/334
D571,604 S *	6/2008	Chung	D7/334
D571,605 S *	6/2008	Chung	D7/334

* cited by examiner

Primary Examiner—Ruth McInroy

(74) *Attorney, Agent, or Firm*—McGuireWoods LLP

(57) **CLAIM**

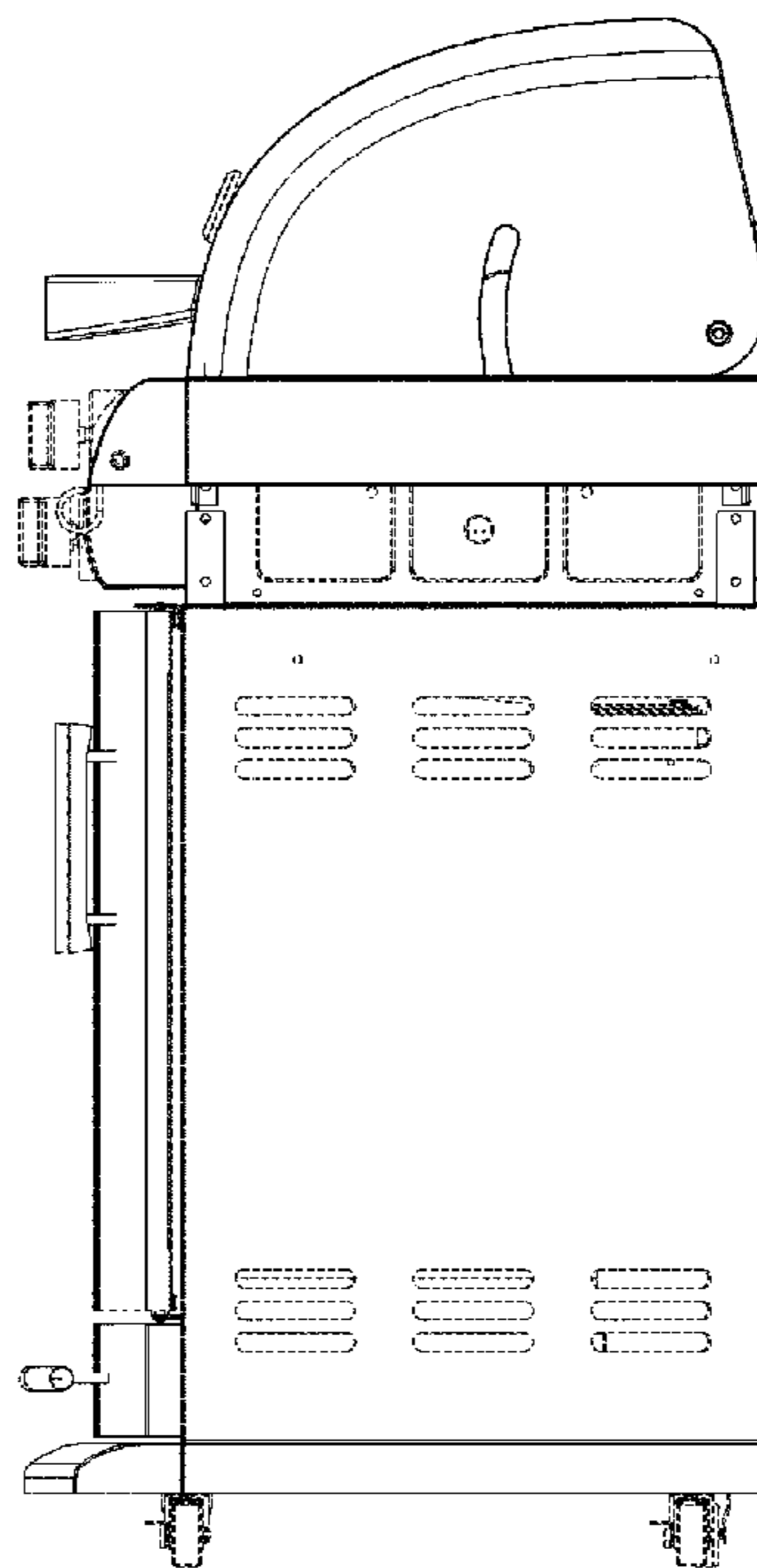
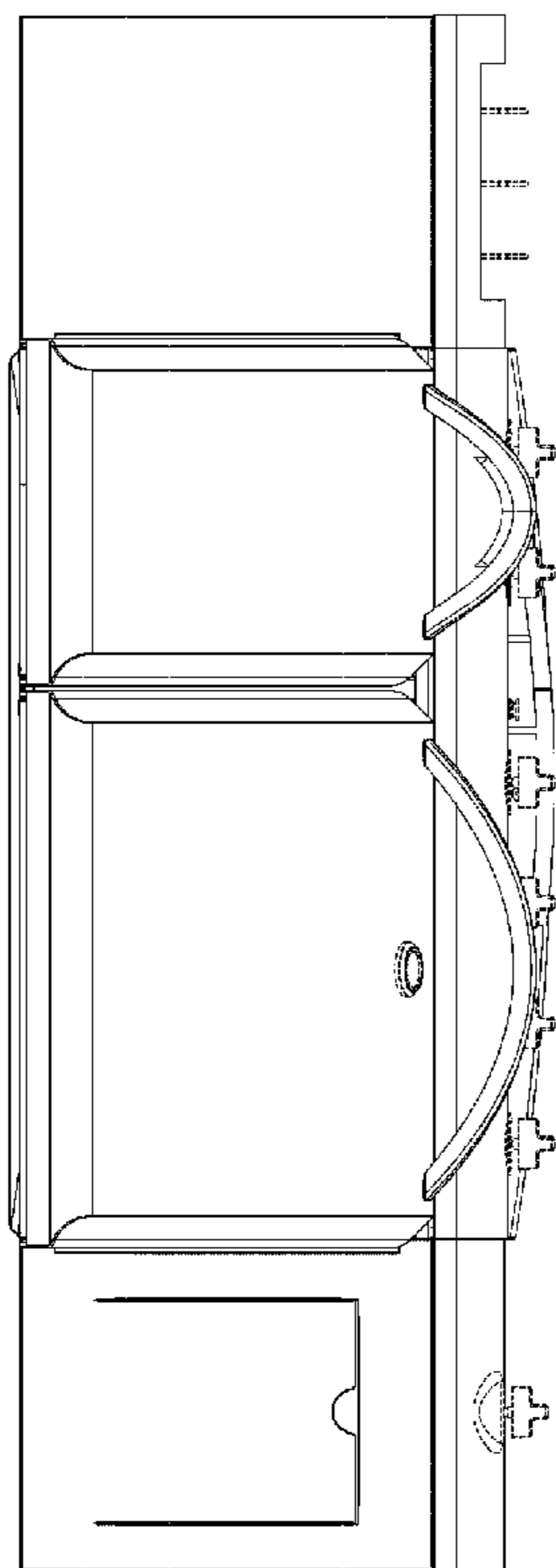
We claim the ornamental design for a gas grill, as shown and described.

DESCRIPTION

FIG. 1 is a front view of a gas grill;
FIG. 2 is a top view of the gas grill shown in FIG. 1;
FIG. 3 is a side view of the gas grill shown in FIG. 1; and,
FIG. 4 is a front perspective view of the gas grill shown in FIG. 1.

The details shown in broken lines form no part of the claimed design.

1 Claim, 4 Drawing Sheets



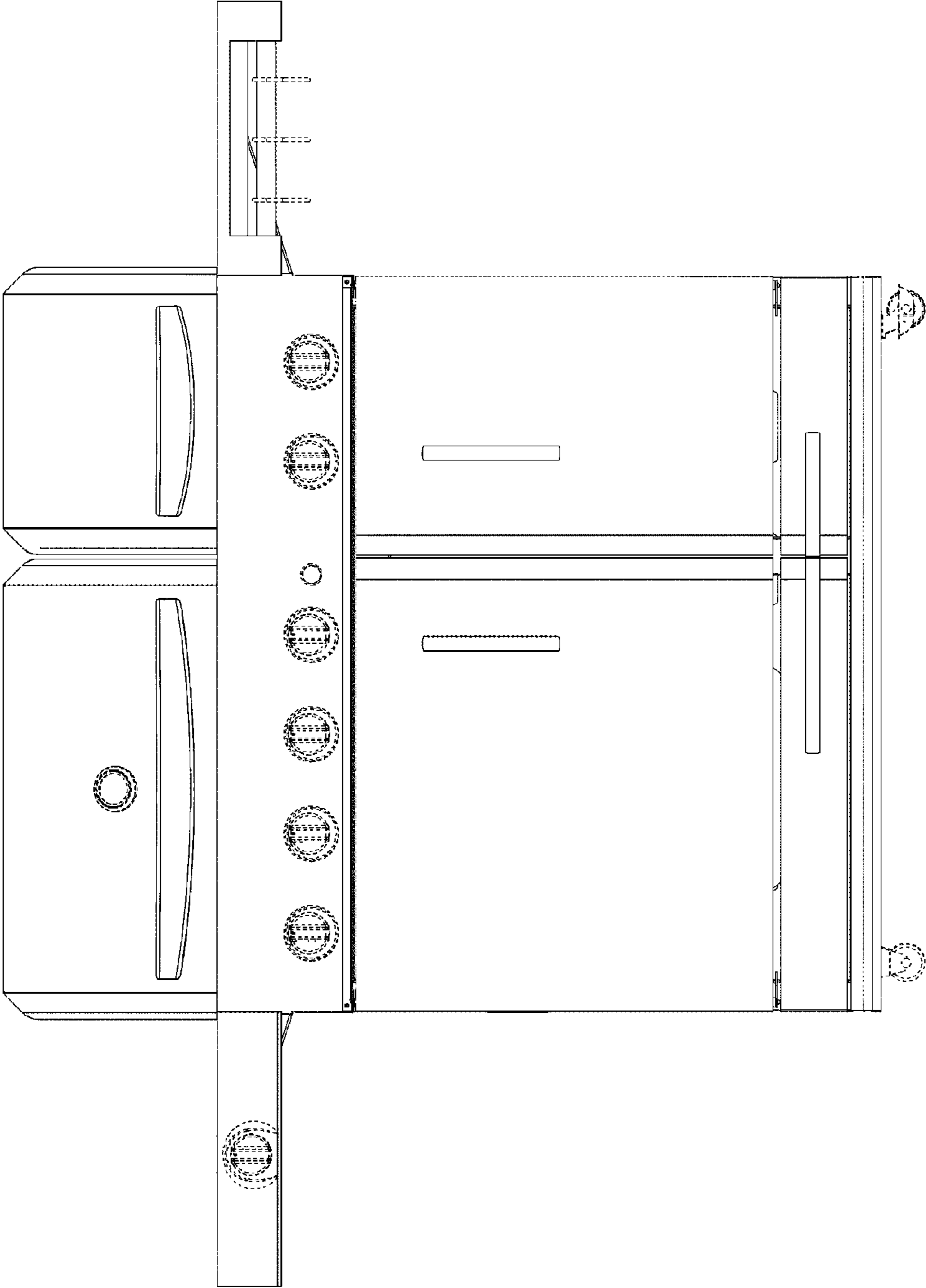


Fig. 1

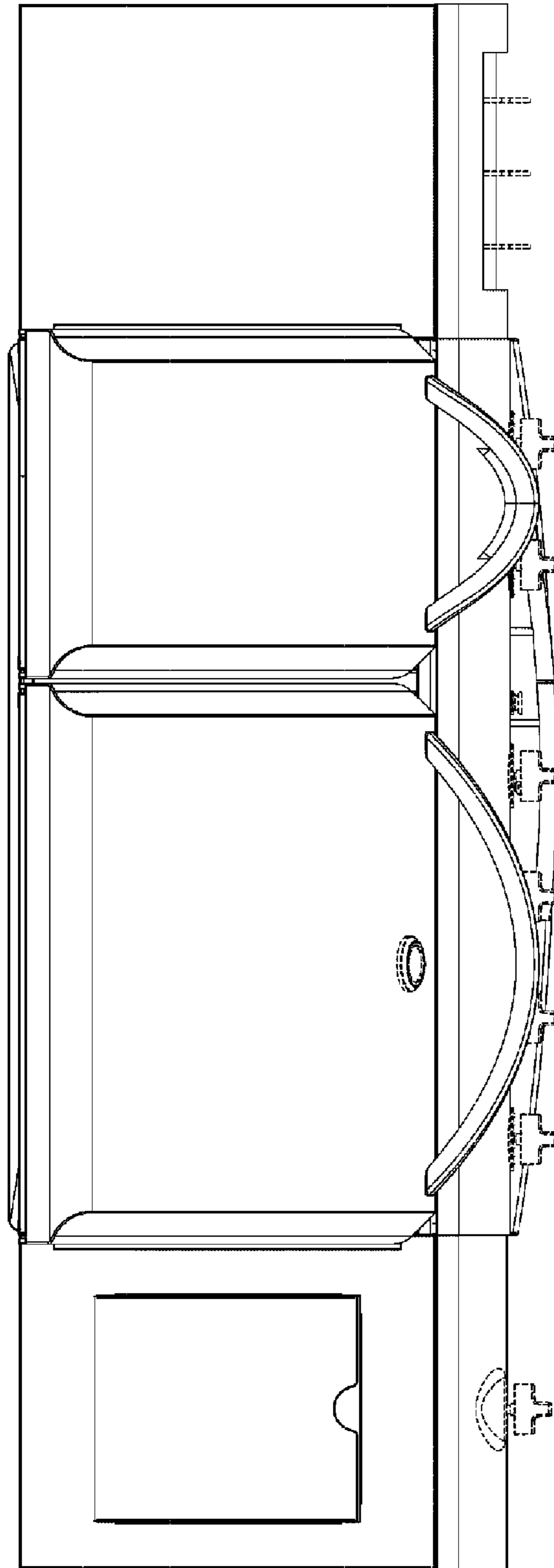


Fig. 2

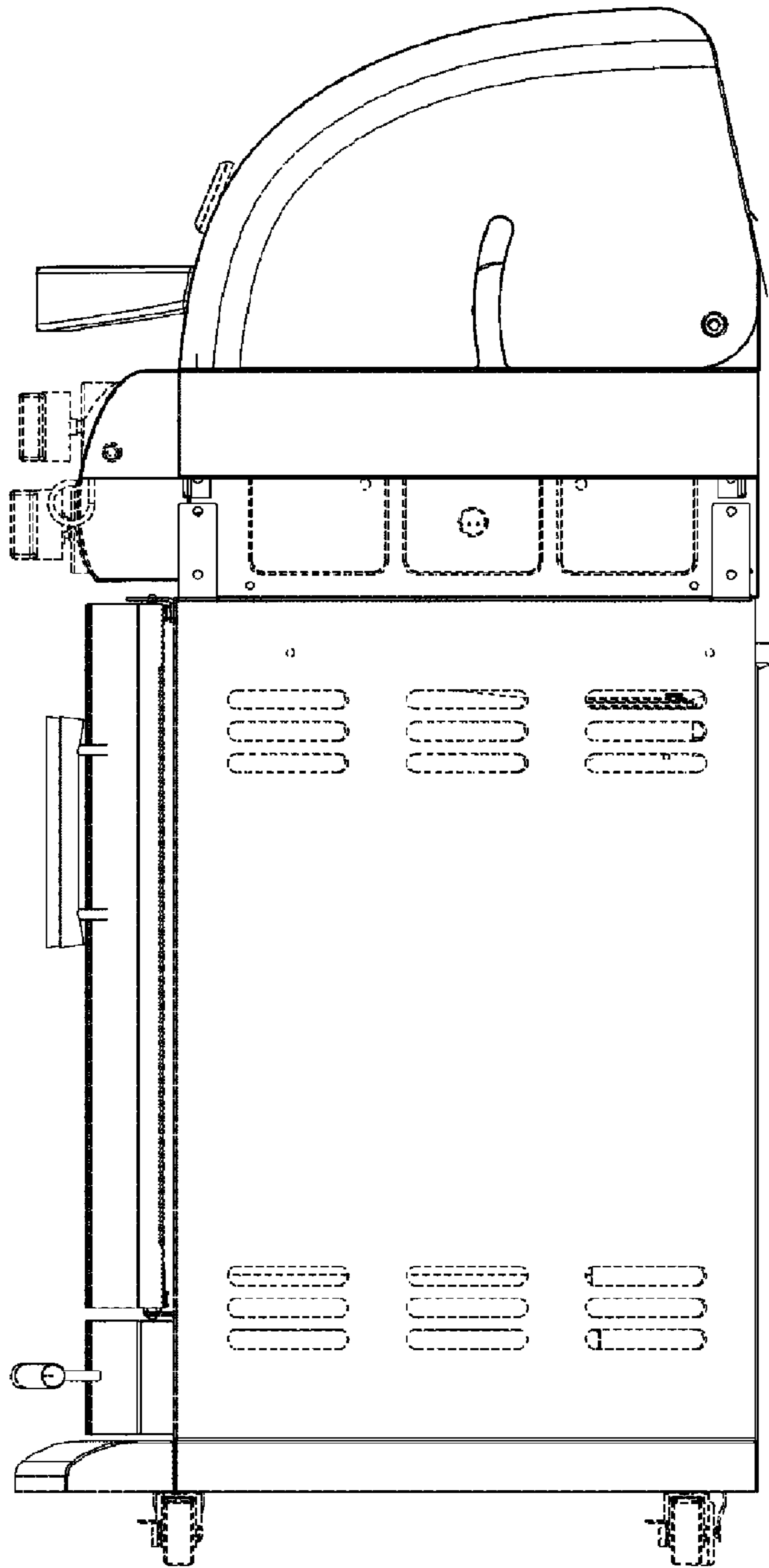


Fig. 3

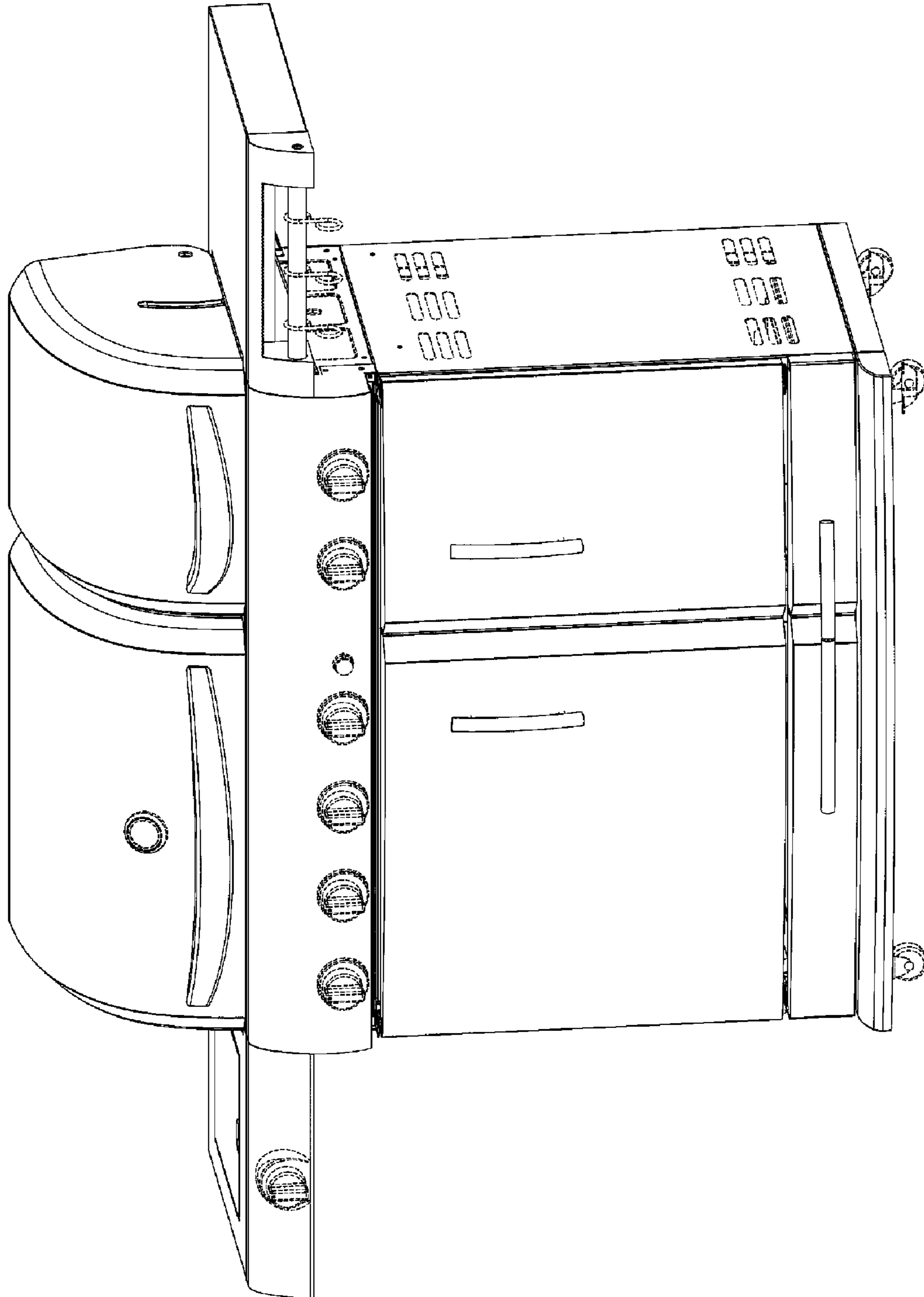


Fig. 4