



US00D621200S

(12) **United States Design Patent**
Gillespie et al.

(10) **Patent No.:** **US D621,200 S**

(45) **Date of Patent:** **** Aug. 10, 2010**

(54) **OUTDOOR COOKING GRILL**

(75) Inventors: **Brad Gillespie**, Midland, GA (US); **Jeff Juskowich**, Smyrna, GA (US); **Kurt Rampton**, Charlotte, NC (US)

(73) Assignee: **W.C. Bradley Company**, Columbus, GA (US)

(**) Term: **14 Years**

(21) Appl. No.: **29/342,150**

(22) Filed: **Aug. 19, 2009**

(51) **LOC (9) Cl.** **15-05**

(52) **U.S. Cl.** **D7/332**

(58) **Field of Classification Search** D7/332,
D7/334-337, 402-405; 99/339, 449, 450,
99/482; 126/25 R, 9 R, 41 R, 50, 276, 304 A,
126/268

See application file for complete search history.

(56) **References Cited**

U.S. PATENT DOCUMENTS

5,572,983	A	*	11/1996	Schlosser et al.	126/25 R
D409,436	S	*	5/1999	Smith	D7/334
D414,374	S	*	9/1999	Ting	D7/334
D463,709	S	*	10/2002	Bossler	D7/334
D465,691	S	*	11/2002	Wu	D7/332
D471,396	S	*	3/2003	Chiang	D7/334
D485,116	S	*	1/2004	Kwok	D7/334

6,684,876	B2	*	2/2004	Bossler	126/25 R
D496,821	S	*	10/2004	Pai	D7/334
D497,281	S	*	10/2004	Pai	D7/334
D499,600	S	*	12/2004	Bossler	D7/335
D505,824	S	*	6/2005	Nipke et al.	D7/334
D507,926	S	*	8/2005	Zhang	D7/334
D507,927	S	*	8/2005	Nipke et al.	D7/334
D508,365	S	*	8/2005	Nipke et al.	D7/334

* cited by examiner

Primary Examiner—Ruth McInroy

(74) *Attorney, Agent, or Firm*—Fellers, Snider, Blankenship, Bailey & Tippens

(57) **CLAIM**

The ornamental design for an outdoor cooking grill, as shown and described.

DESCRIPTION

FIG. 1 is a perspective view illustrating my new design;

FIG. 2 is a front elevational view thereof;

FIG. 3 is a right side elevational view thereof;

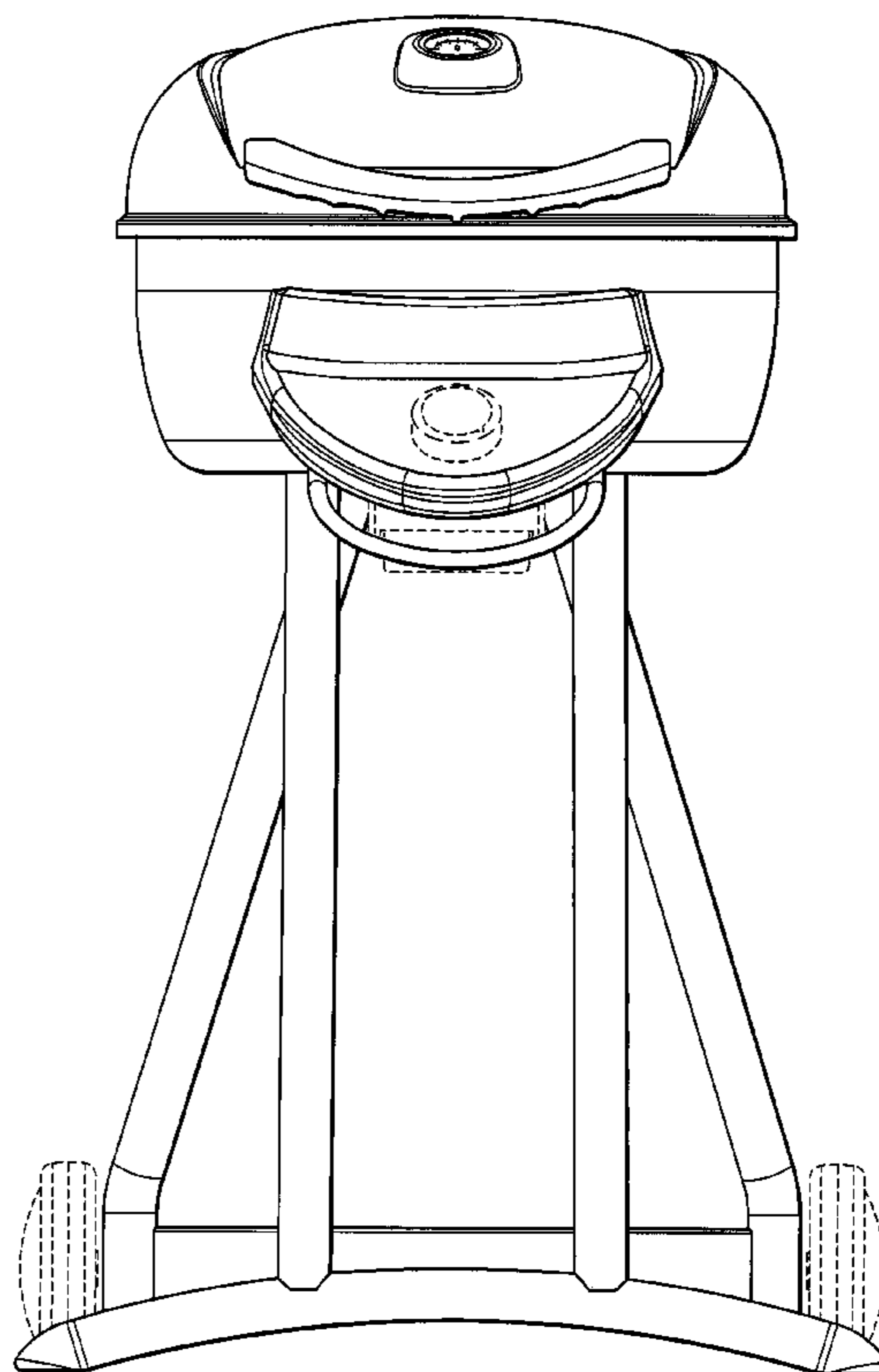
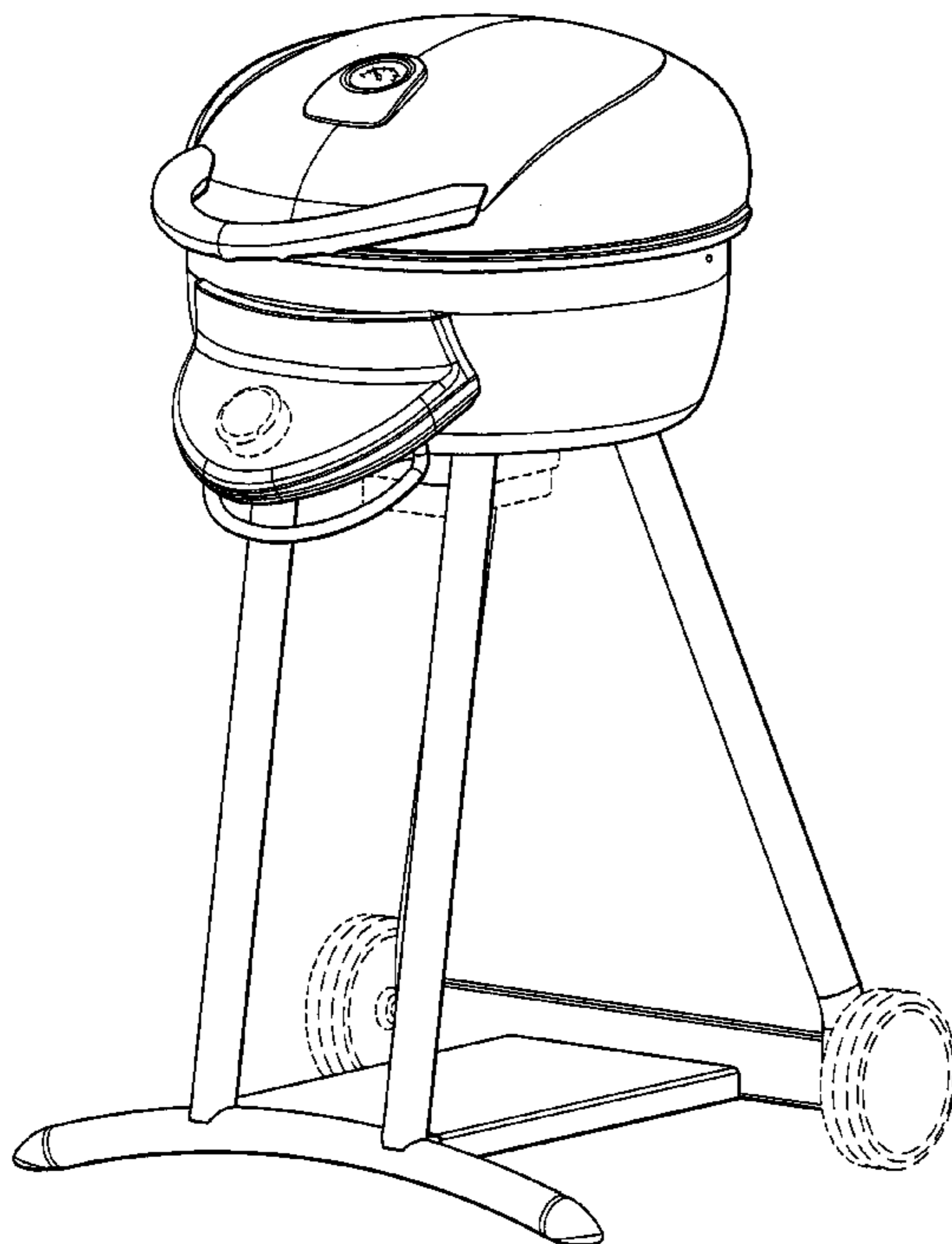
FIG. 4 is a left side elevational view thereof;

FIG. 5 is a top plan view thereof; and,

FIG. 6 is a back elevational view thereof.

The portions shown in broken lines are for illustrative purposes only and form no part of the claimed design.

1 Claim, 6 Drawing Sheets



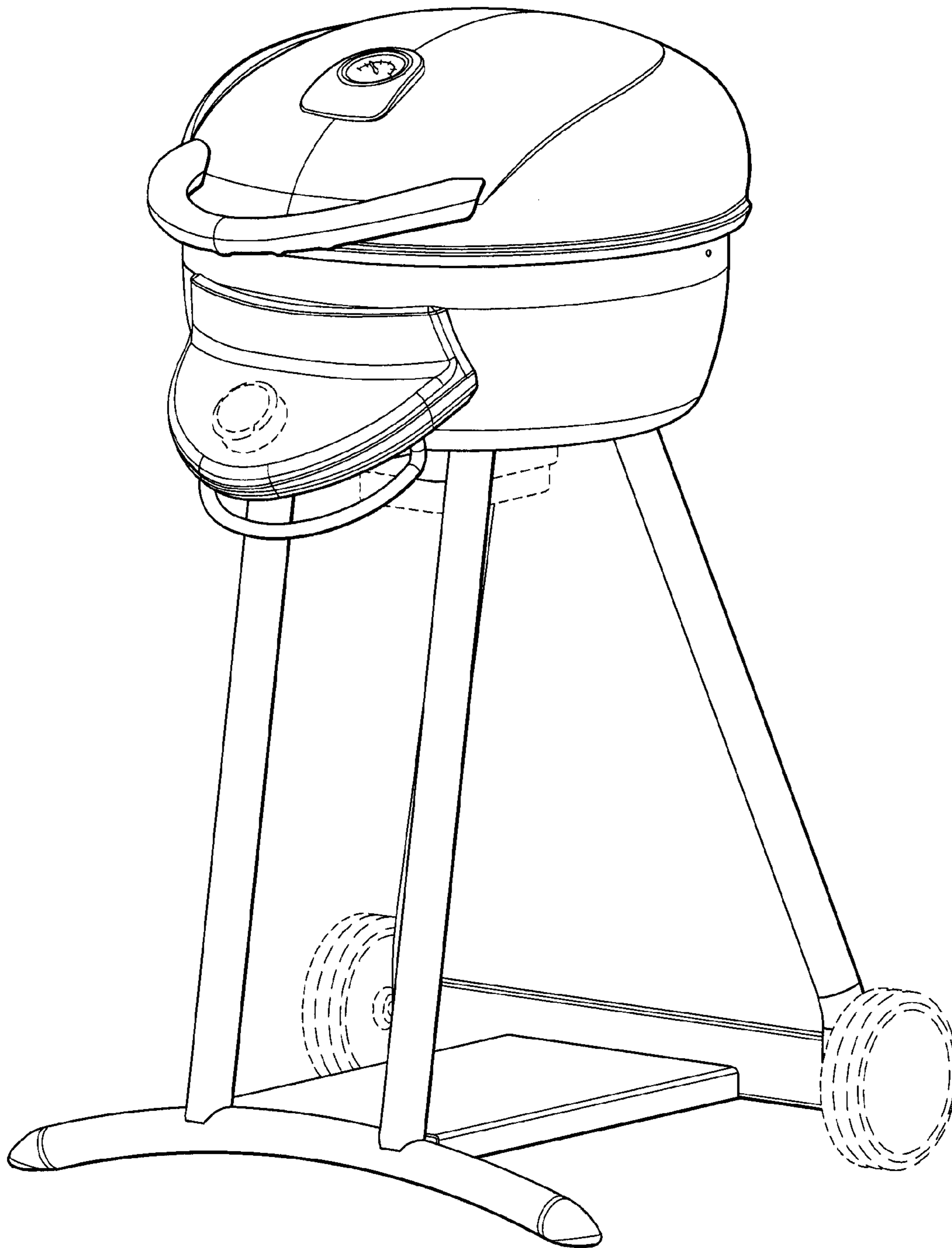


FIG. 1

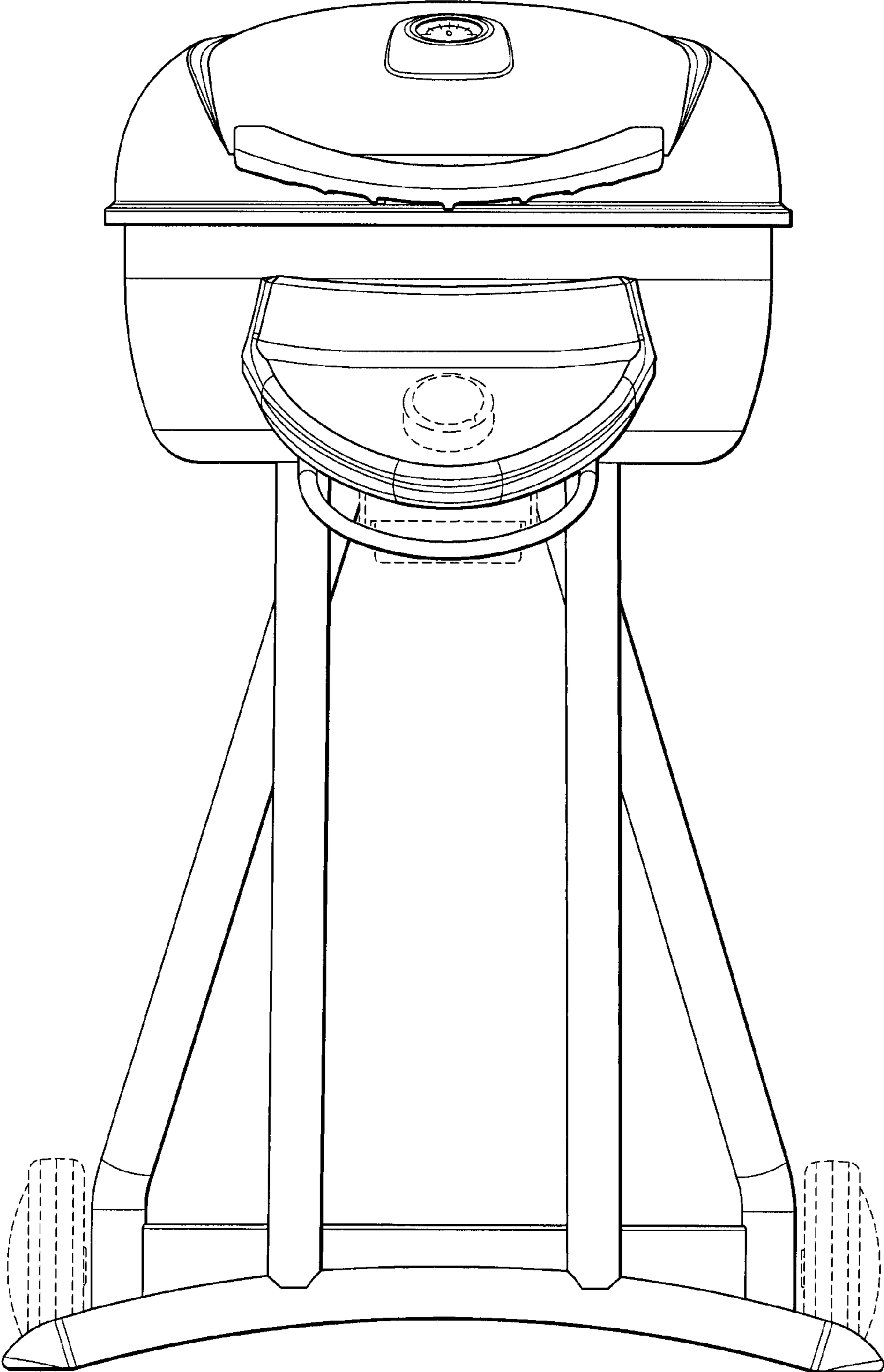


FIG. 2

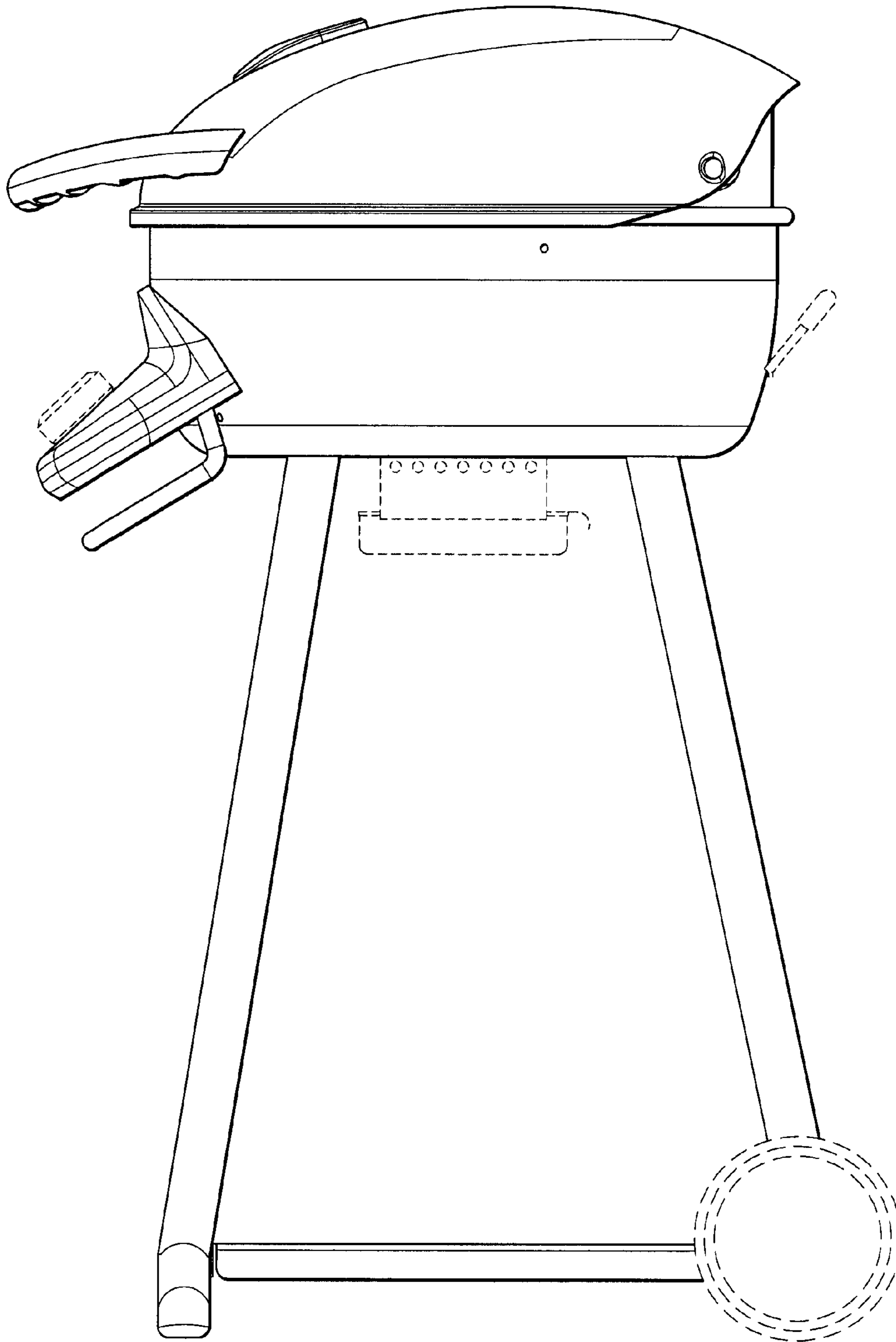


FIG. 3

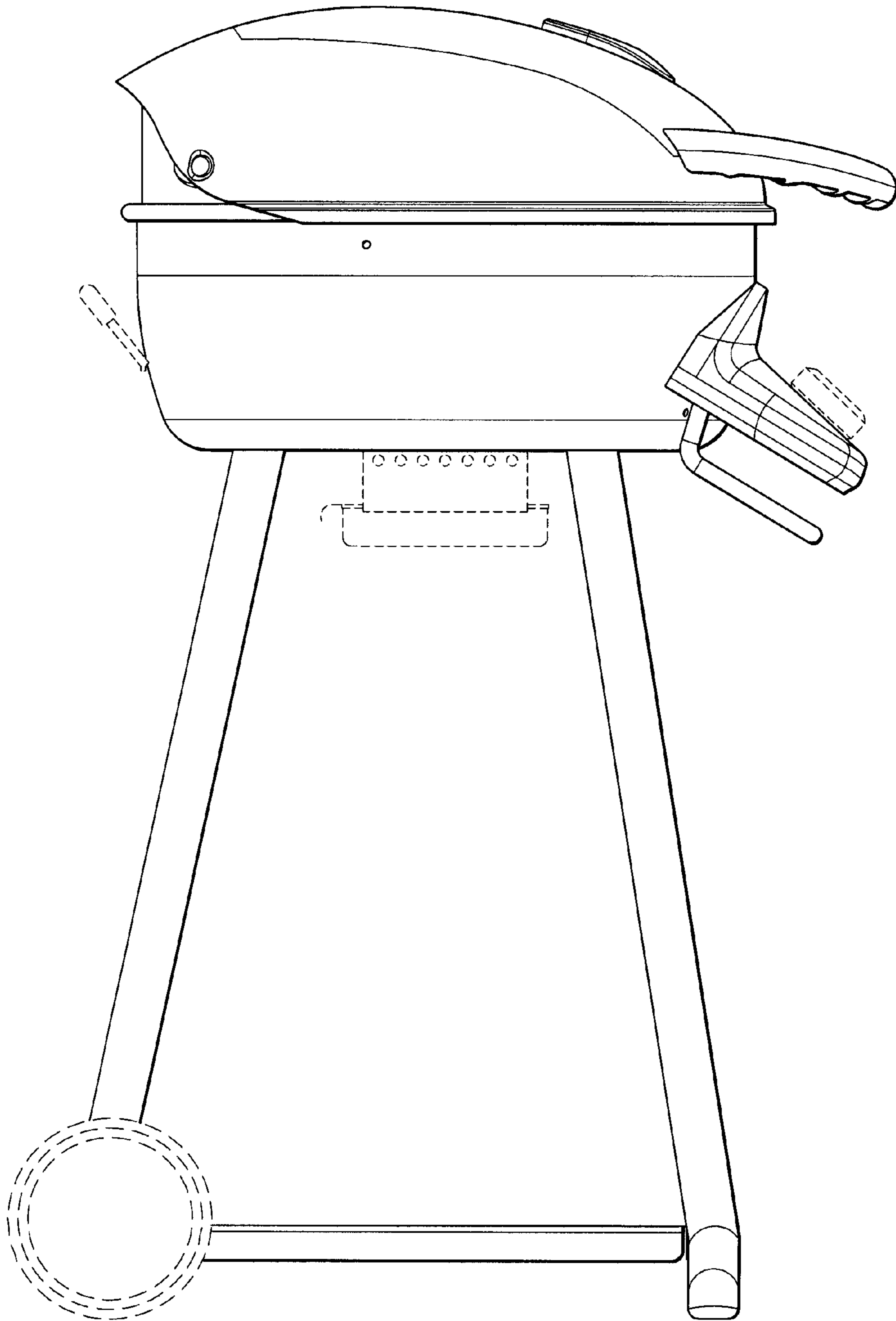


FIG. 4

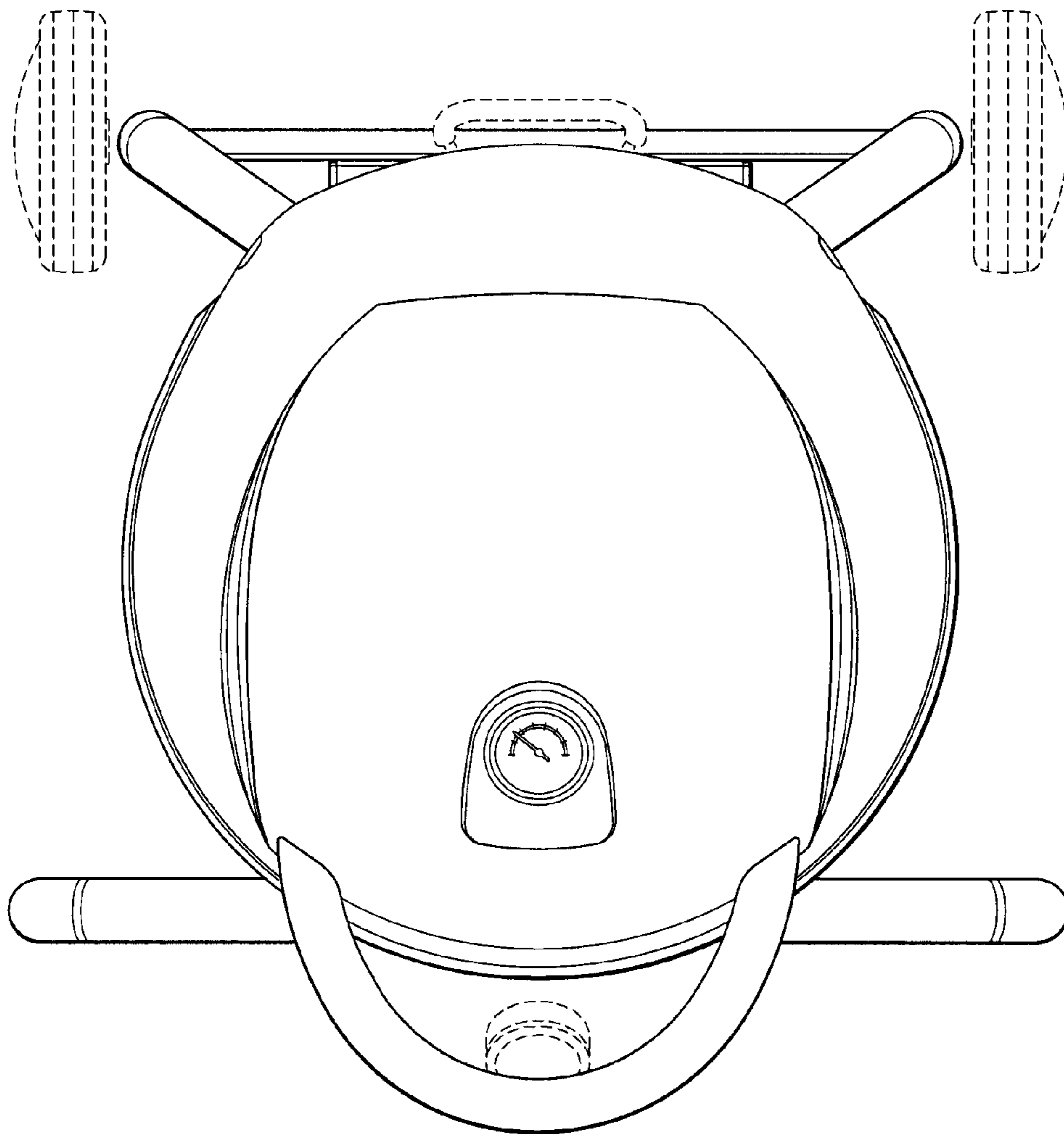


FIG. 5

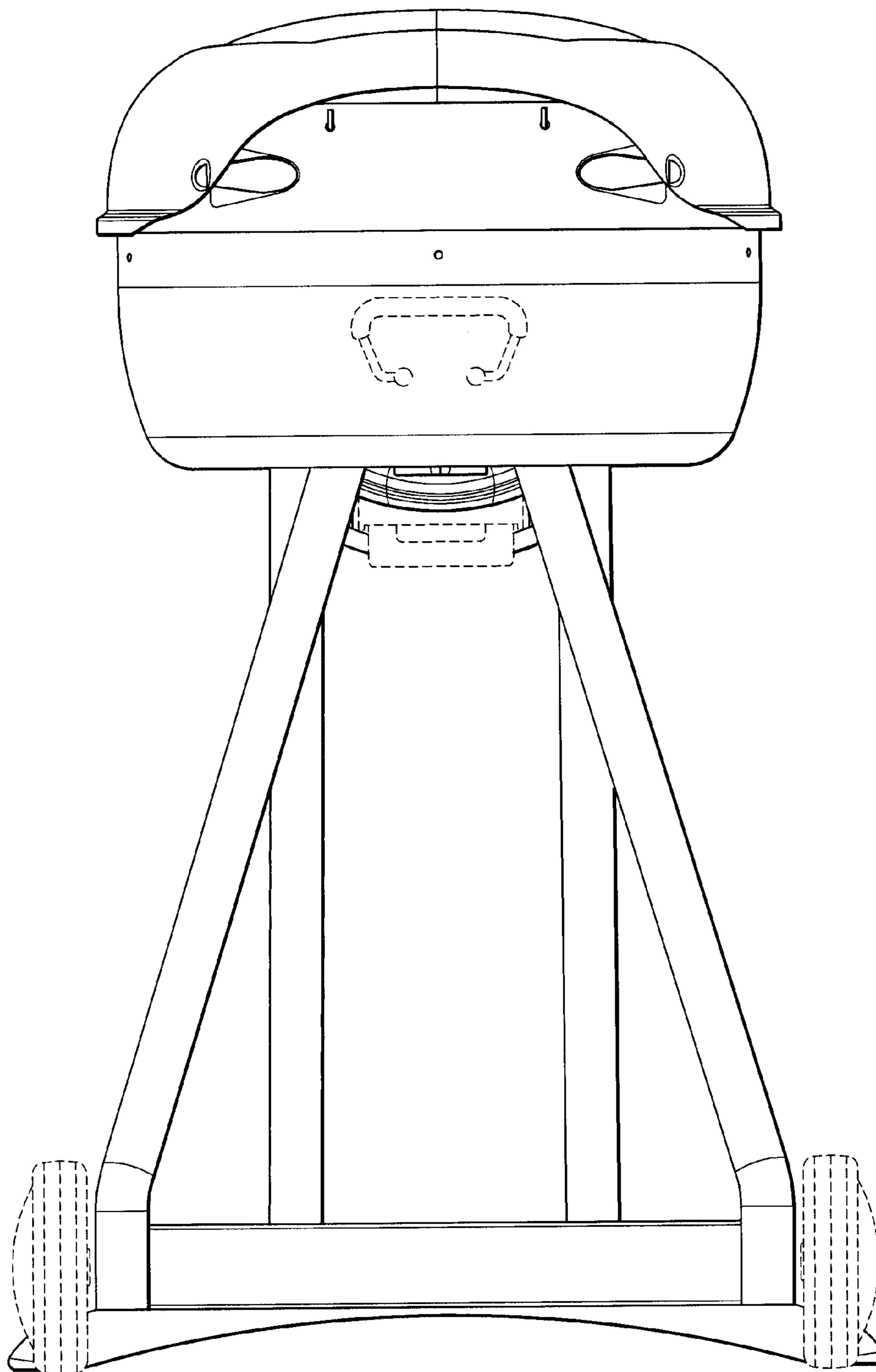


FIG. 6