



US00D621199S

(12) **United States Design Patent**
Lam

(10) **Patent No.:** **US D621,199 S**

(45) **Date of Patent:** **** Aug. 10, 2010**

(54) **AMERICAN FOOTBALL SHAPED POPCORN MAKER**

(76) **Inventor:** **Paul Wood Yik Lam**, Unit 1220
Grandtech Centre, 8 On Ping Street, Siu
Lek Yuen, Shatin, New Territories, Hong
Kong (HK)

(**) **Term:** **14 Years**

(21) **Appl. No.:** **29/322,129**

(22) **Filed:** **Jul. 30, 2008**

(51) **LOC (9) Cl.** **31-00**

(52) **U.S. Cl.** **D7/325**

(58) **Field of Classification Search** D3/271.9,
D3/257; D6/434, 450; D7/308, 323, 325,
D7/330, 334, 354-361, 507, 515, 589, 604,
D7/606, 703; D11/149; D20/3, 7, 29; D28/67;
D99/37; 40/721; 194/255, 296-297; 428/542.4
See application file for complete search history.

(56) **References Cited**

U.S. PATENT DOCUMENTS

| | | | | | | |
|-----------|---|---|---------|-----------------|-------|---------|
| 3,624,939 | A | * | 12/1971 | Gossard | | 40/721 |
| D228,328 | S | * | 9/1973 | Schley | | D7/507 |
| D354,642 | S | * | 1/1995 | Stoddard et al. | | D6/450 |
| D355,792 | S | * | 2/1995 | White | | D6/450 |
| D367,340 | S | * | 2/1996 | Dunn | | D28/67 |
| D377,998 | S | * | 2/1997 | Dunn | | D28/67 |
| D433,115 | S | * | 10/2000 | Leslie | | D23/381 |

| | | | | | | |
|----------|---|---|--------|------------------|-------|---------|
| D458,672 | S | * | 6/2002 | Marchiano et al. | | D23/378 |
| D541,552 | S | * | 5/2007 | Weldon | | D6/434 |
| D547,696 | S | * | 7/2007 | Wheeler | | D11/149 |
| D575,079 | S | * | 8/2008 | Hirsh | | D6/434 |
| D607,260 | S | * | 1/2010 | Lam | | D7/325 |

* cited by examiner

Primary Examiner—Caron Veynar

Assistant Examiner—Ricky Pham

(57) **CLAIM**

The ornamental design for an American football shaped popcorn maker, as shown and described.

DESCRIPTION

FIG. 1 is a front view of an American football shaped popcorn maker showing my new design

FIG. 2 is the rear view thereof;

FIG. 3 is the top view thereof;

FIG. 4 is the bottom view thereof;

FIG. 5 is the left view thereof;

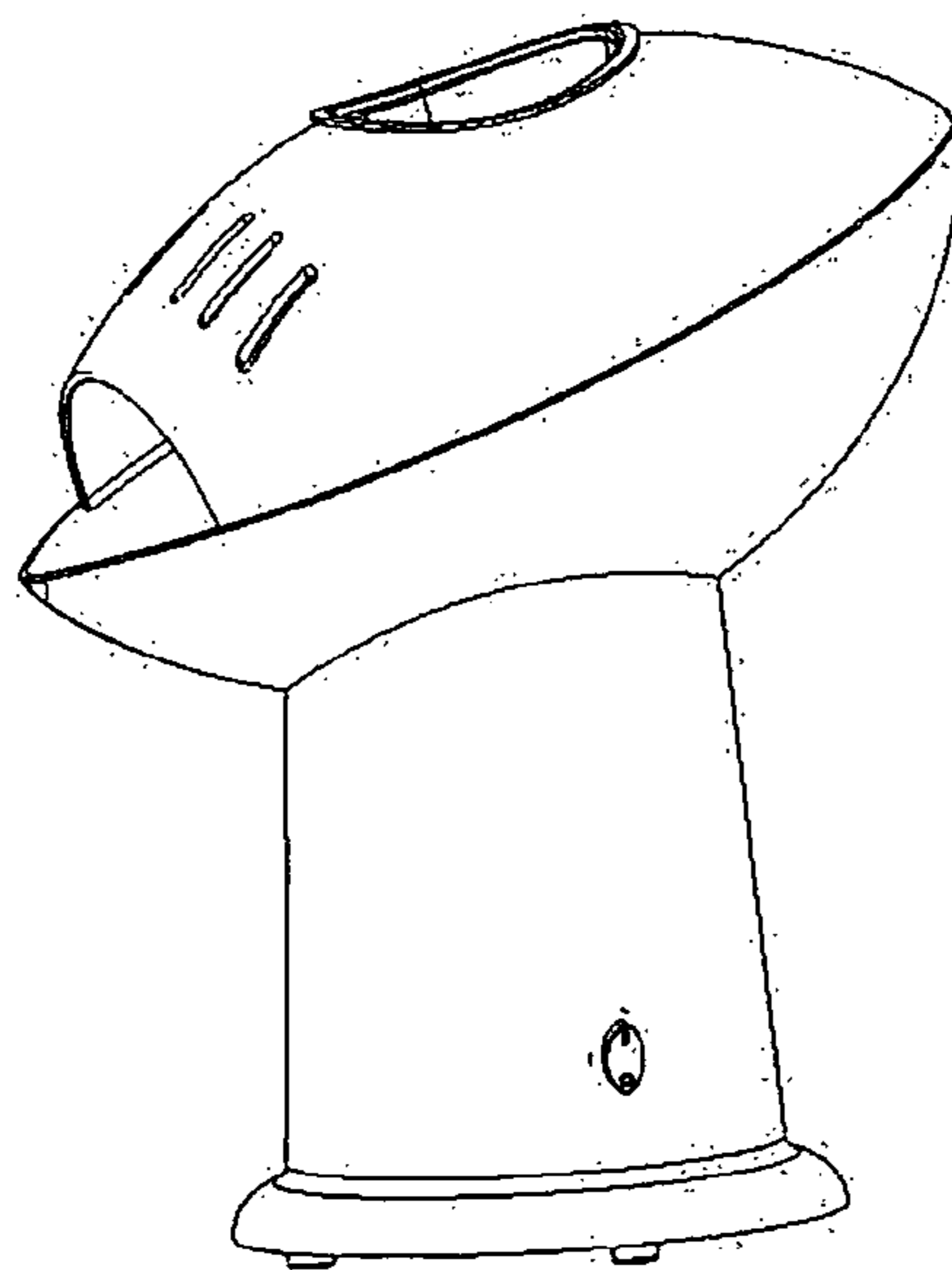
FIG. 6 is the right view thereof;

FIG. 7 is a bottom perspective view thereof;

FIG. 8 is a top perspective view thereof; shown with the top cover removed for ease of illustration; and,

FIG. 9 is top view thereof; shown with the top cover removed for ease of illustration.

1 Claim, 5 Drawing Sheets



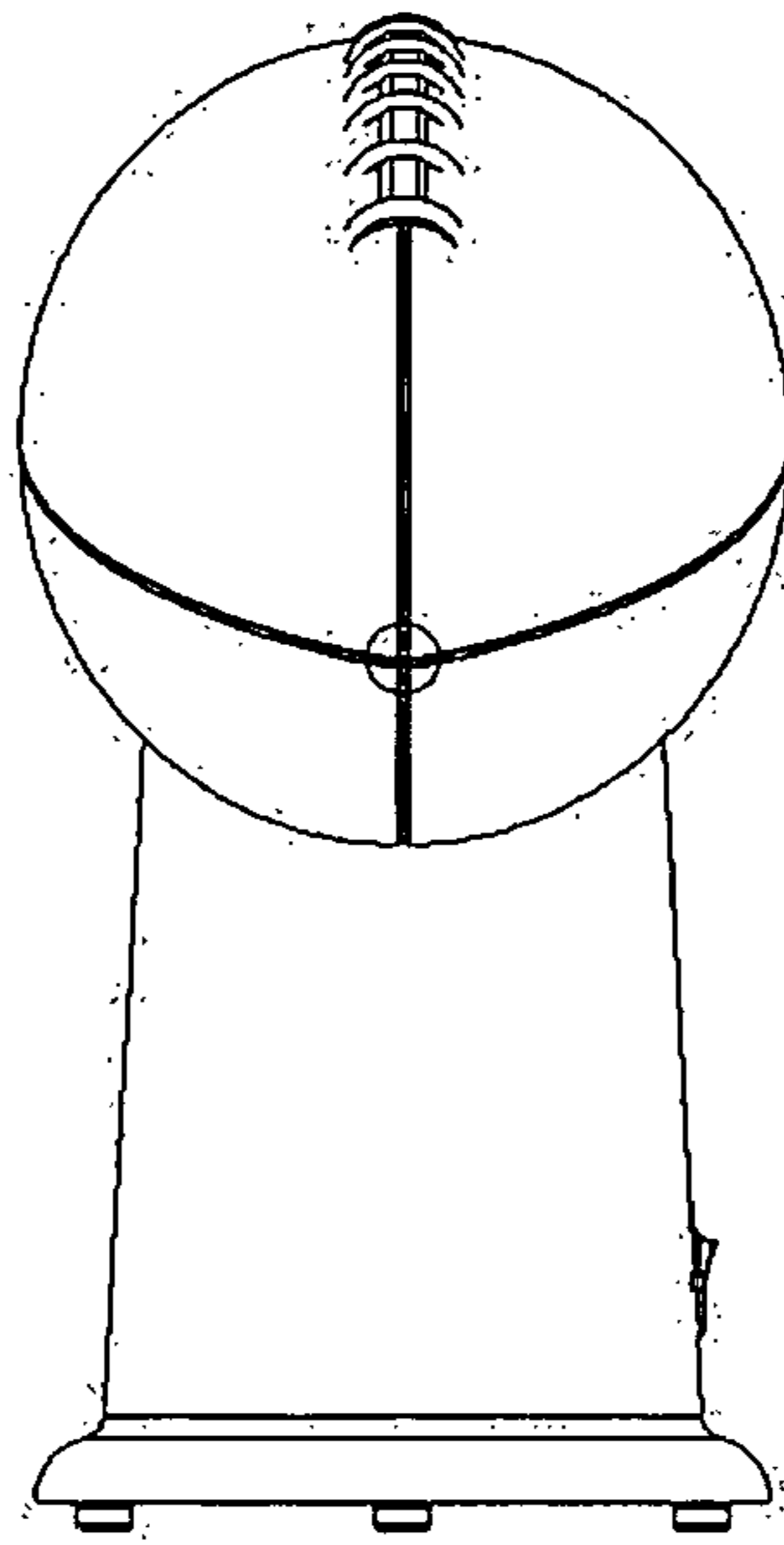


FIG.1

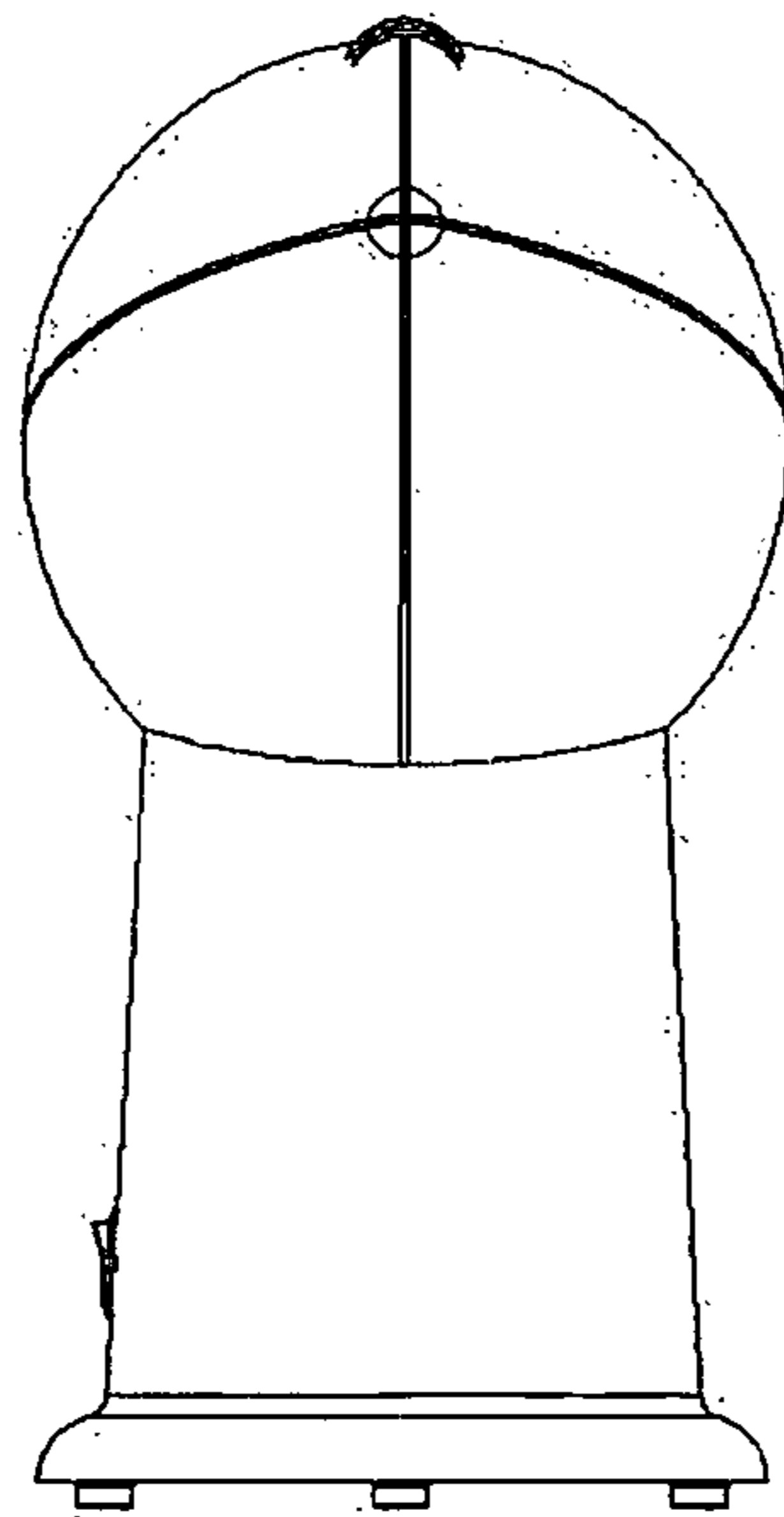


FIG.2

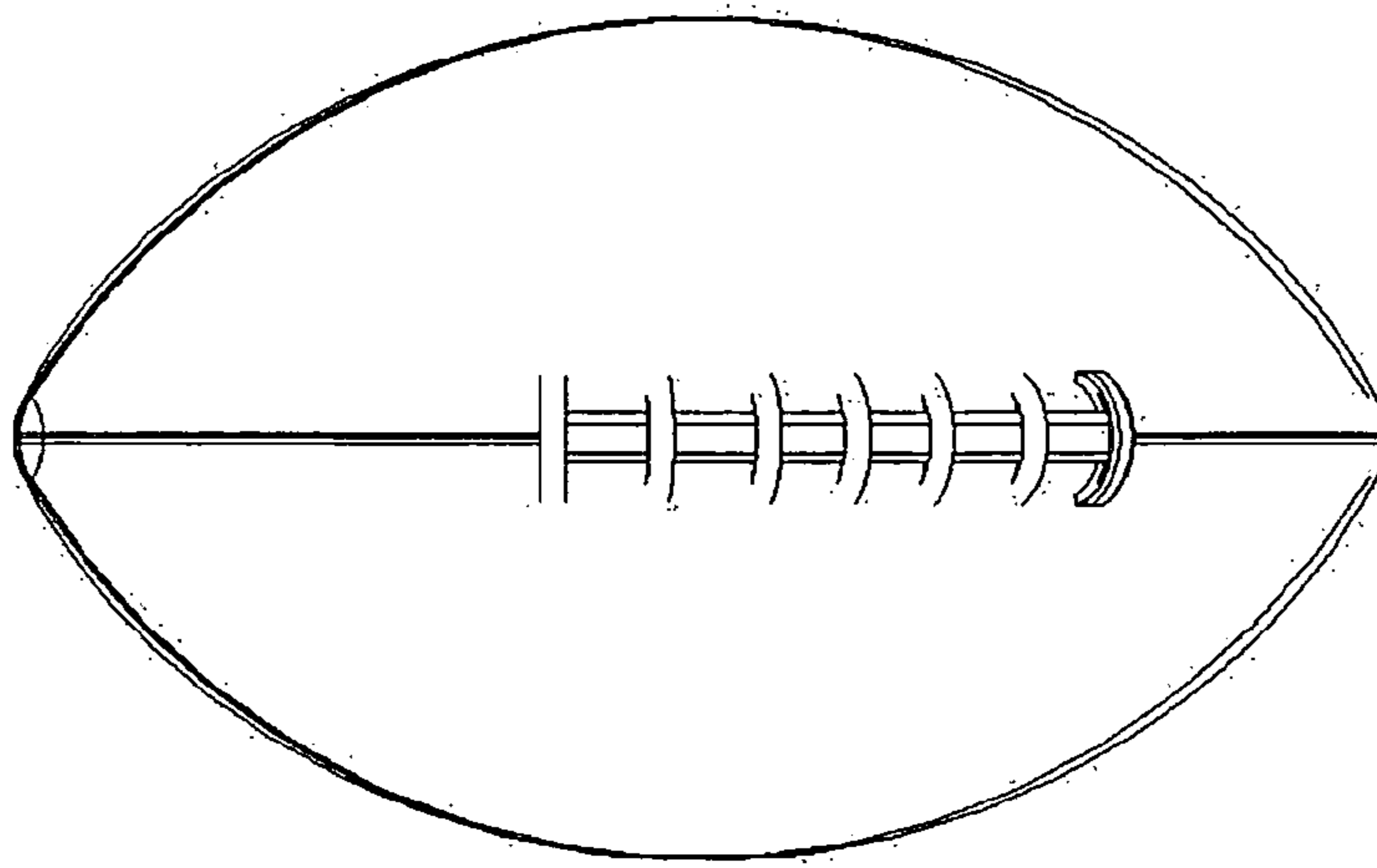


FIG.3

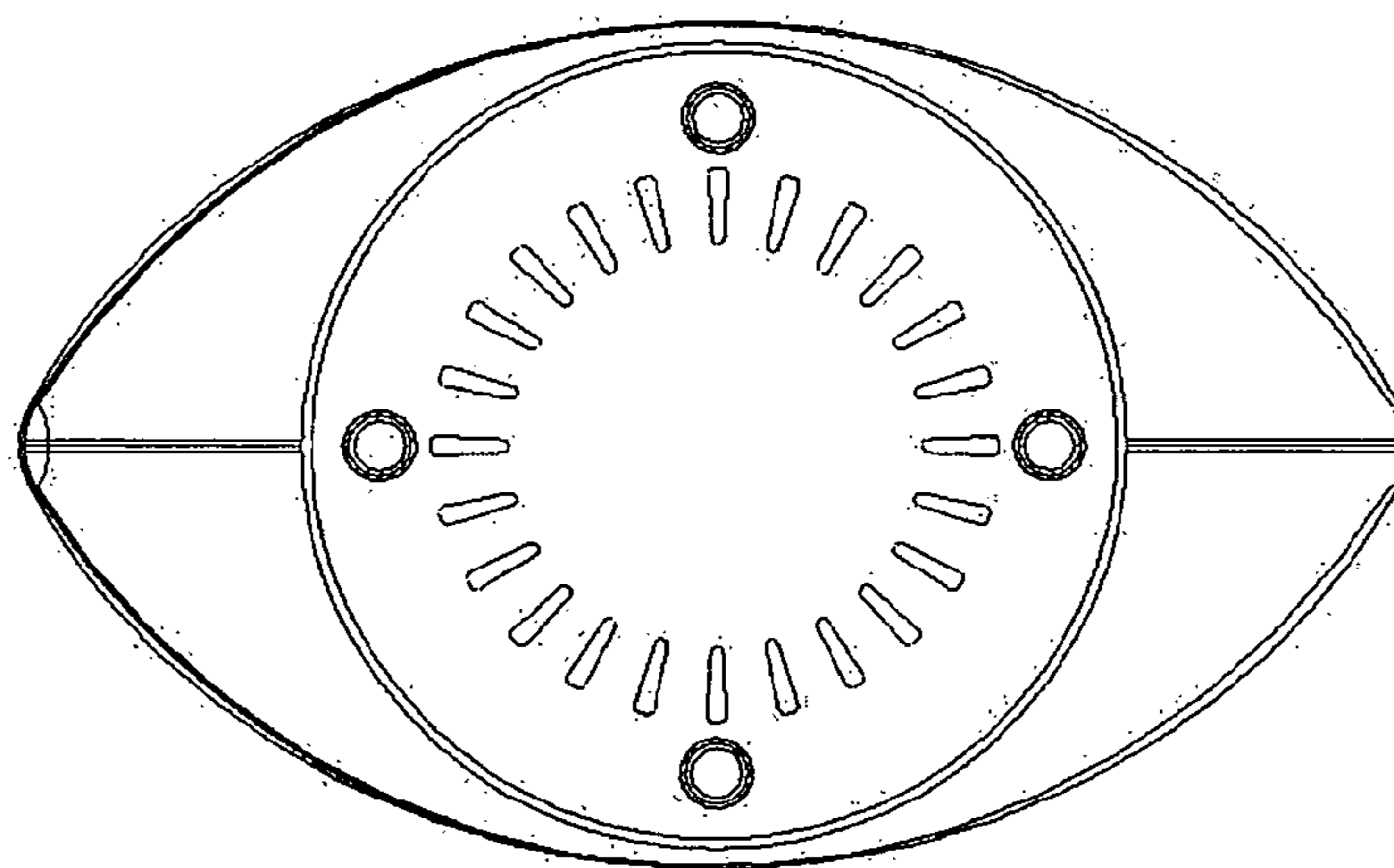


FIG.4

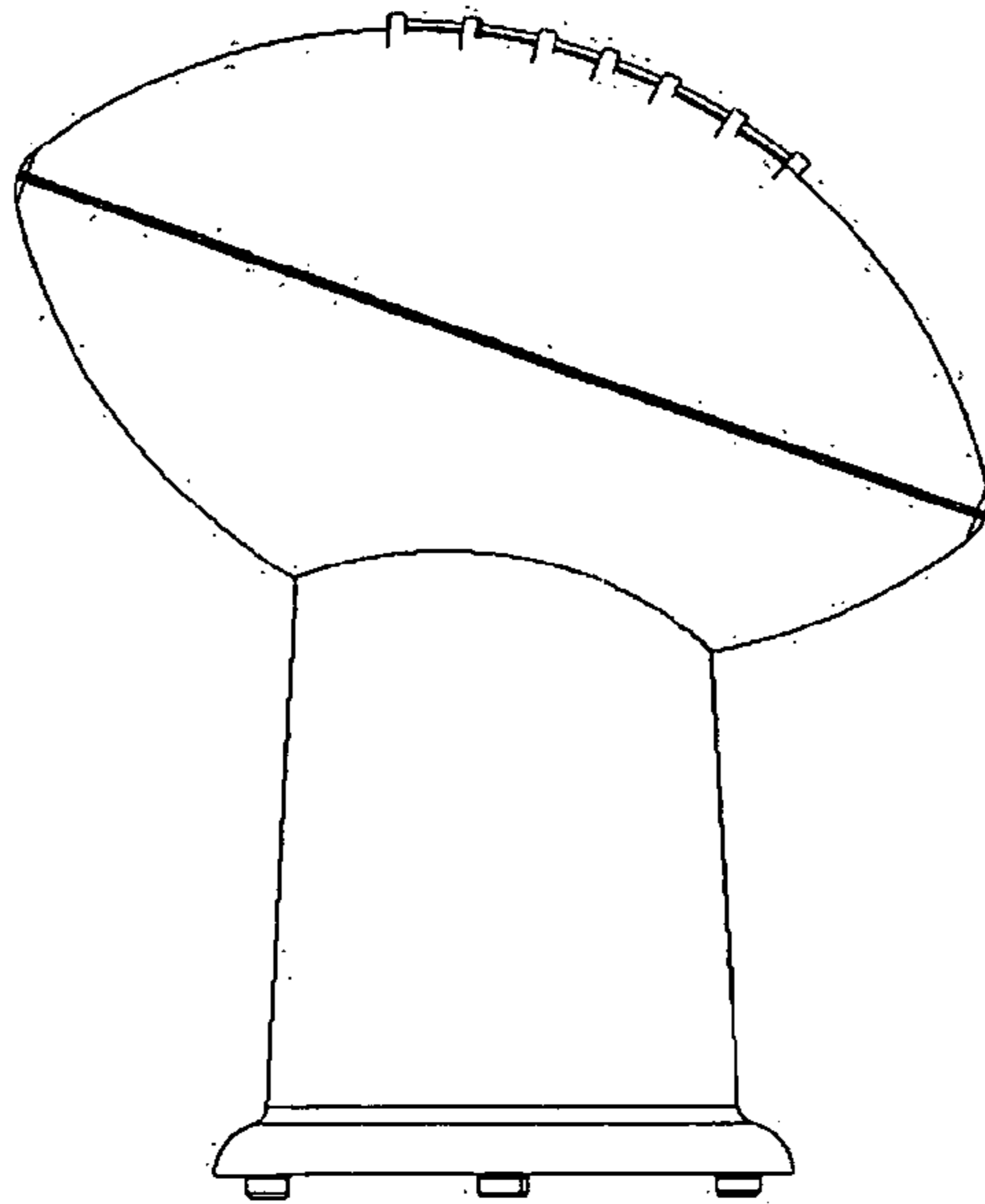


FIG. 5

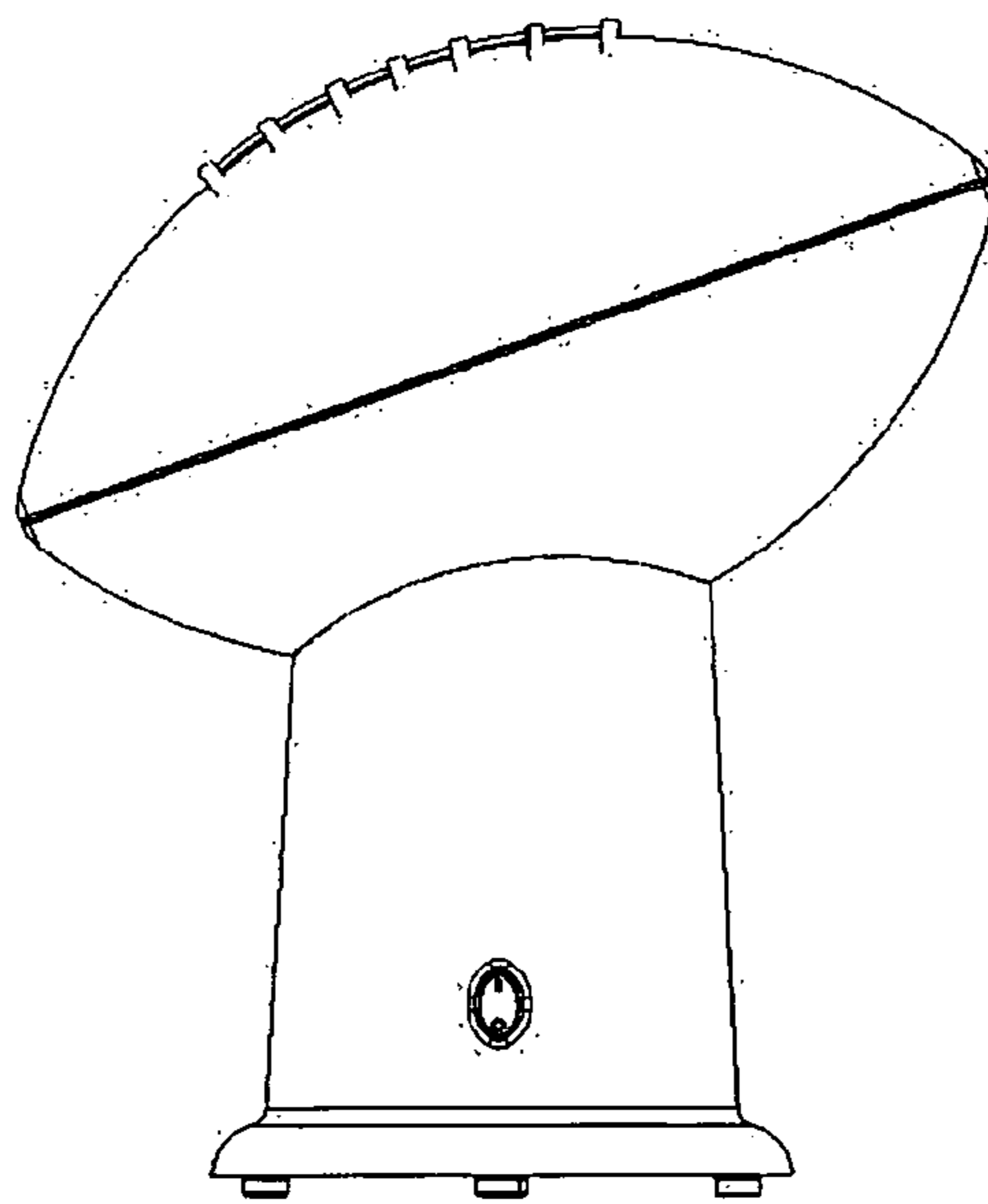


FIG. 6

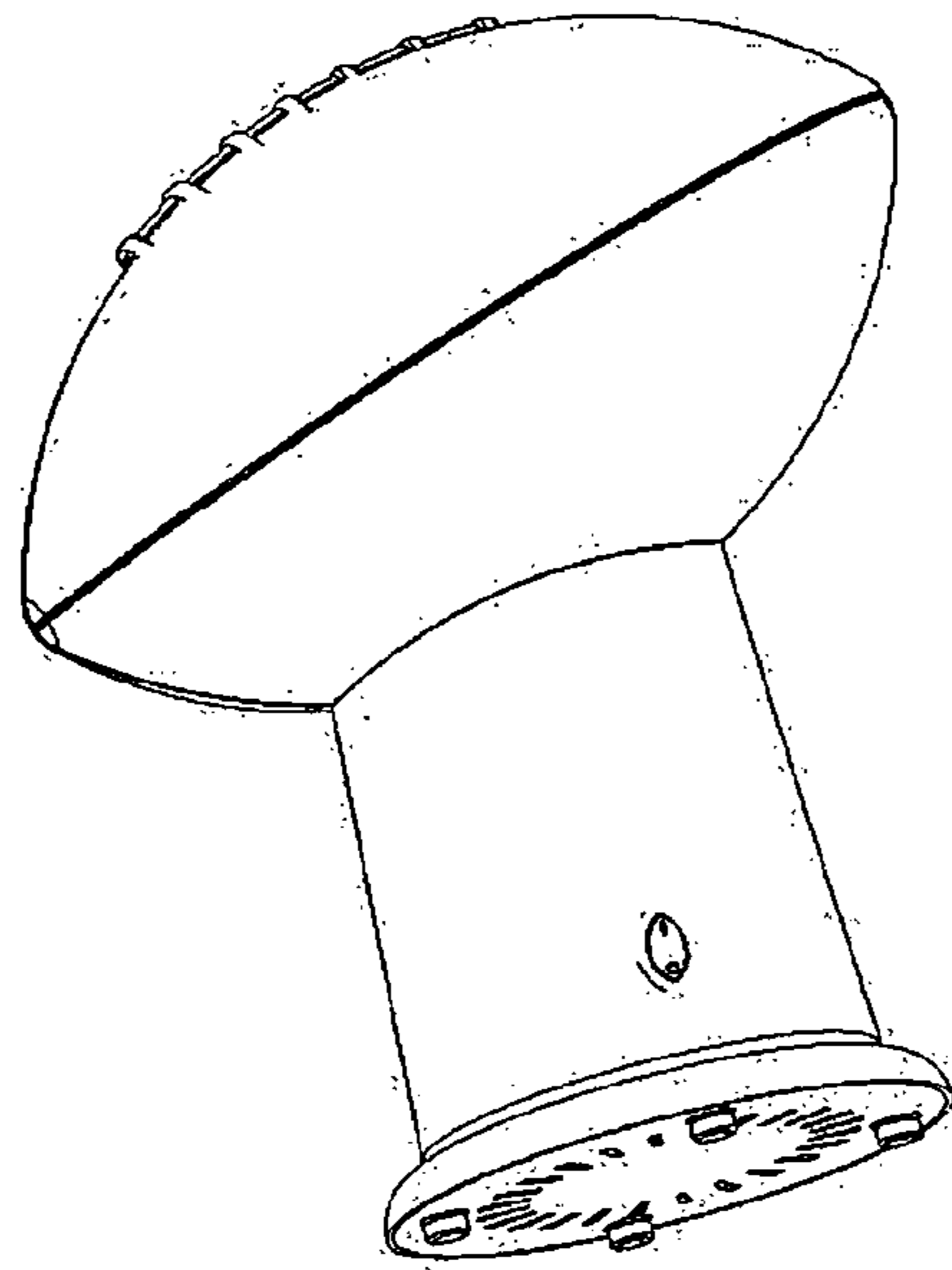


FIG. 7

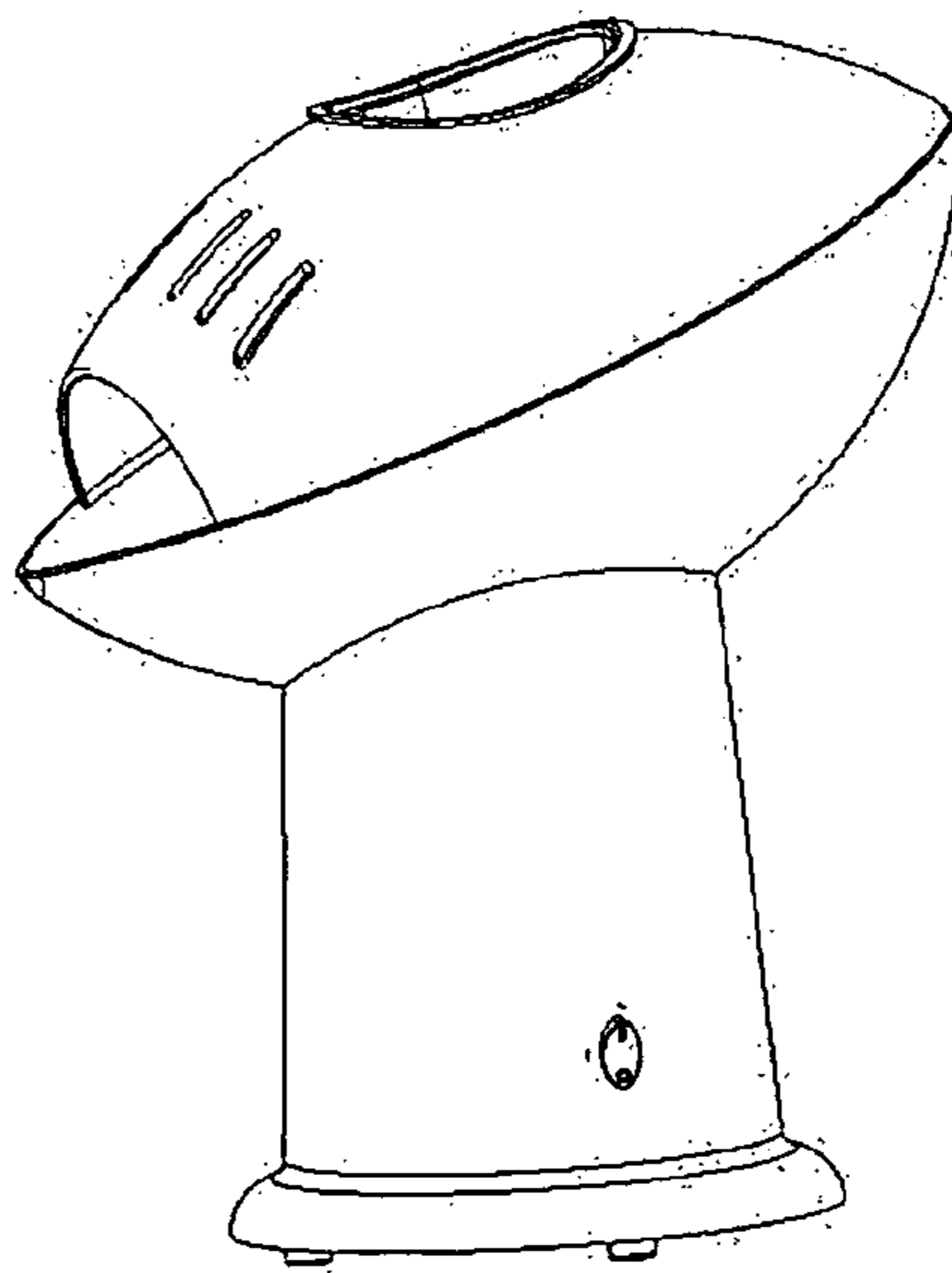


FIG. 8

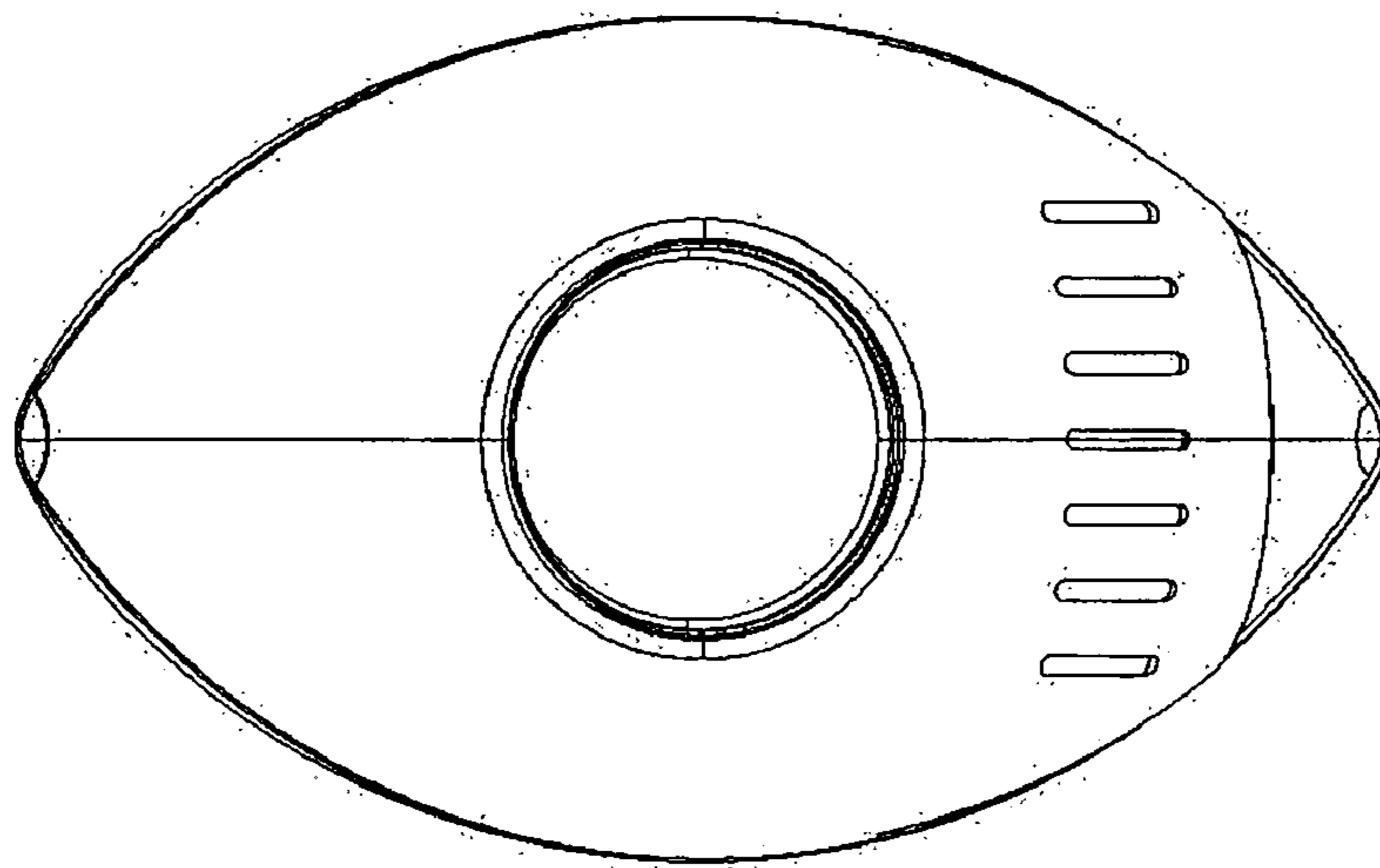


FIG.9