



US00D621193S

(12) **United States Design Patent**  
**Bauchet et al.**

(10) **Patent No.:** **US D621,193 S**

(45) **Date of Patent:** **\*\* Aug. 10, 2010**

(54) **SHELF**

(75) Inventors: **Eric F. Bauchet**, Stevensville, MI (US);  
**Gil A. Gaska**, Saint Joseph, MI (US);  
**Robert K. Lance**, Newburgh, IN (US);  
**Travis M. Perkins**, Granger, IN (US);  
**Michael J. Scherzer**, Saint Joseph, MI (US)

(73) Assignee: **Whirlpool Corporation**, Benton Harbor, MI (US)

(\*\*) Term: **14 Years**

(21) Appl. No.: **29/357,607**

(22) Filed: **Mar. 15, 2010**

**Related U.S. Application Data**

(62) Division of application No. 29/324,658, filed on Sep. 17, 2008, now Pat. No. Des. 614,428.

(51) **LOC (9) Cl.** ..... **06-04**

(52) **U.S. Cl.** ..... **D6/574**

(58) **Field of Classification Search** ..... D6/518-524,  
D6/548-550, 574; D8/300, 303, 315-321,  
D8/349, 354, 363, 373, 380; 108/28-29;  
211/13.1, 16, 60.1, 100, 86.01, 87.01, 88.01,  
211/88.04, 105.1-105.2, 123, 182, 181.1;  
248/176, 176.1, 251, 302, 309.1; 16/110.1,  
16/412, 415; 242/570, 590, 595-598

See application file for complete search history.

(56) **References Cited**

**U.S. PATENT DOCUMENTS**

D293,404 S \* 12/1987 Murphy ..... D6/574

D338,121 S \* 8/1993 Pelosi ..... D6/574  
D361,238 S \* 8/1995 Richards et al. .... D6/574  
D397,898 S \* 9/1998 Walters-Dowding et al. . D6/574  
D443,163 S \* 6/2001 Welch ..... D6/574  
D477,957 S \* 8/2003 Mikich et al. .... D6/574  
D485,109 S \* 1/2004 Oberhaus ..... D6/574  
D549,026 S \* 8/2007 Parshad ..... D6/574  
D549,506 S \* 8/2007 Stacy ..... D6/574  
D594,261 S \* 6/2009 Maxwell ..... D6/574  
D598,228 S \* 8/2009 West ..... D6/574

\* cited by examiner

*Primary Examiner*—Brian N Vinson

(74) *Attorney, Agent, or Firm*—Tara M. Hartman

(57) **CLAIM**

The ornamental design for a shelf, as shown and described.

**DESCRIPTION**

FIG. 1 is a front perspective view of the shelf showing our new design;

FIG. 2 is a top view thereof;

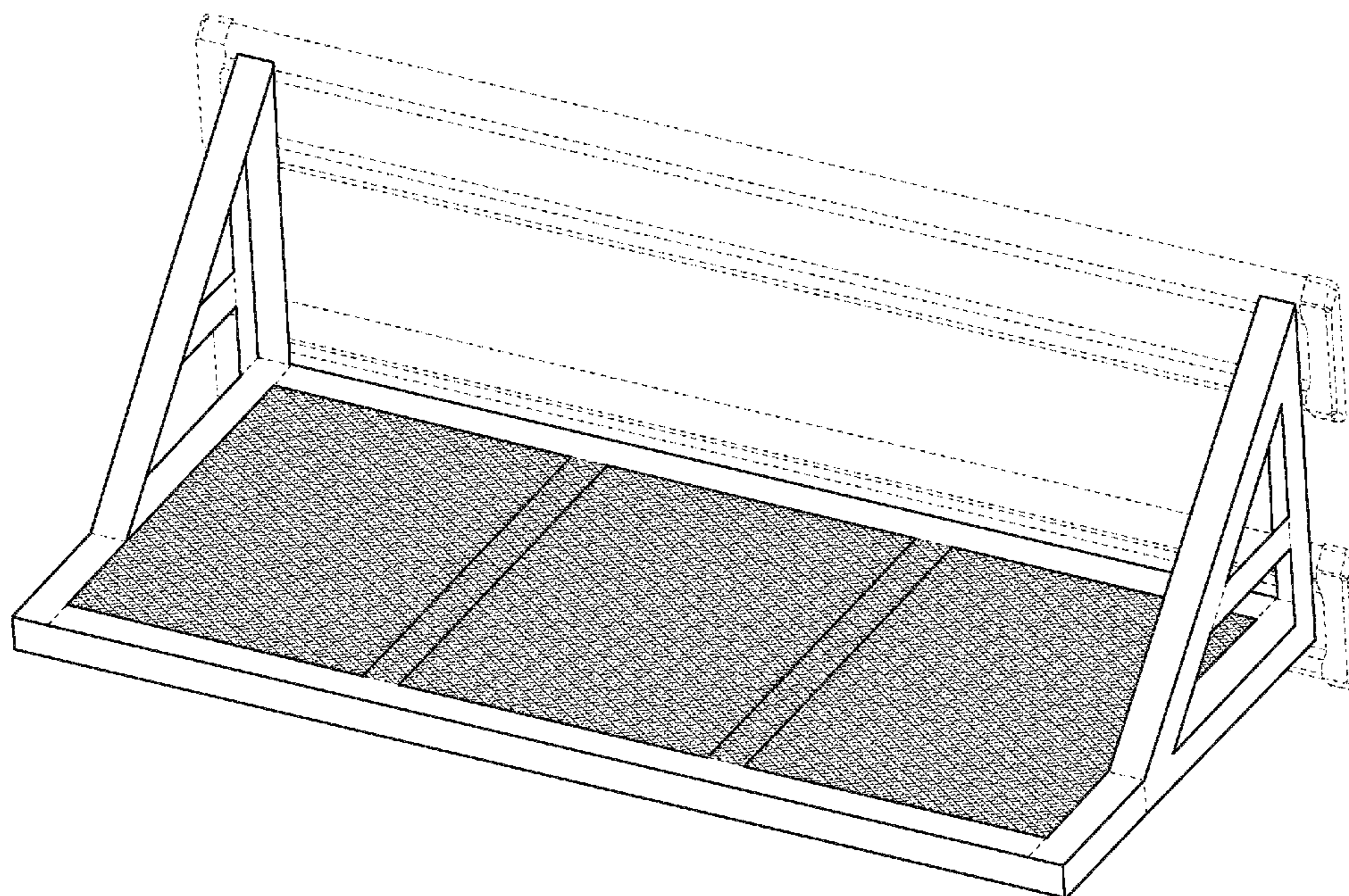
FIG. 3 is a bottom view thereof;

FIG. 4 is a front perspective view of the shelf of FIG. 1 shown in an optional orientation, which is the reverse of FIG. 1; and,

FIG. 5 is a fragmentary enlarged perspective view of the screen surface thereof, with the remainder of the structure omitted for clarity of illustration.

The broken-line disclosure of the supporting slot wall structures have been shown for illustrative purpose only and form no part of the claimed design.

**1 Claim, 3 Drawing Sheets**





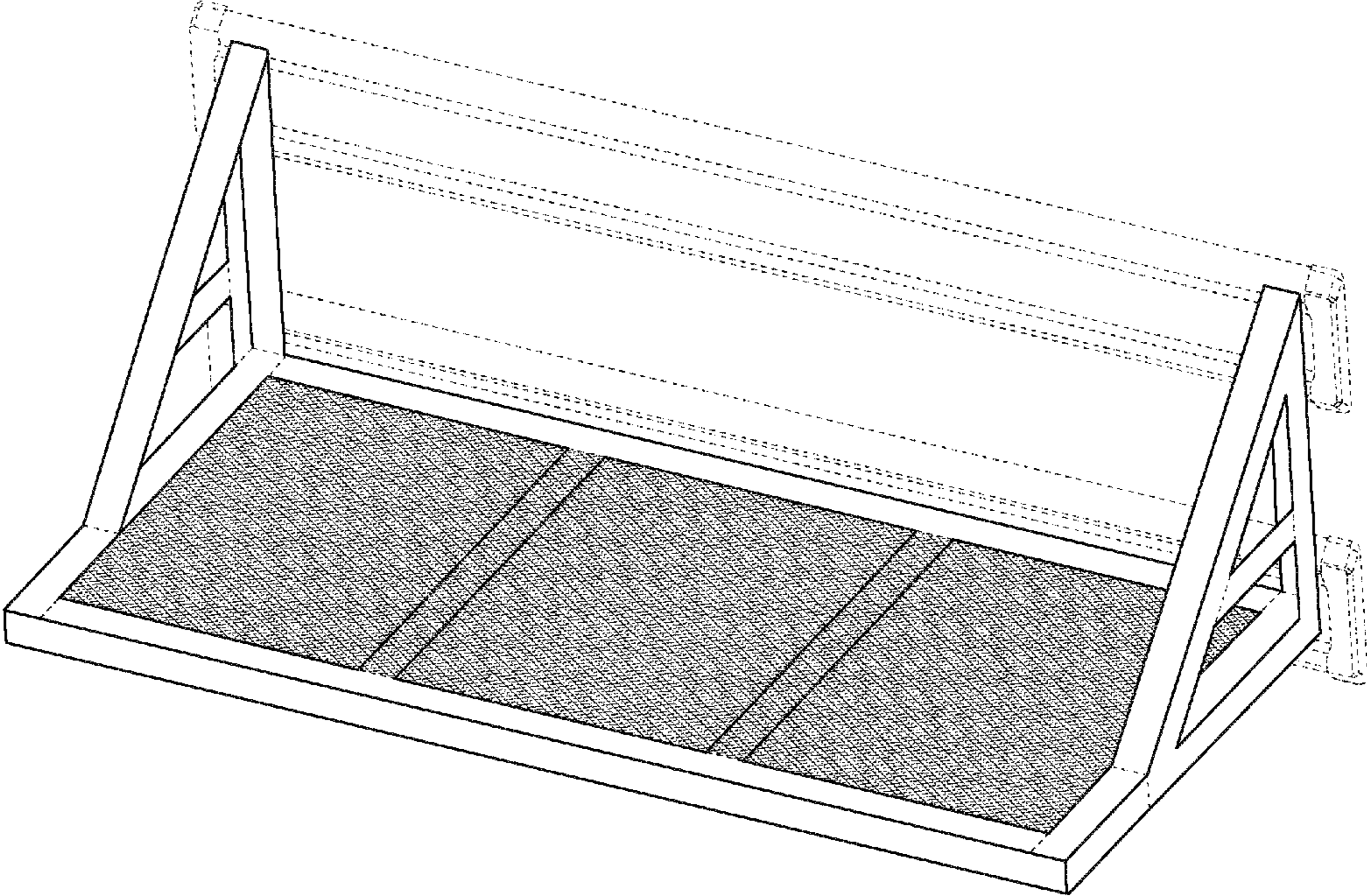


Fig. 1



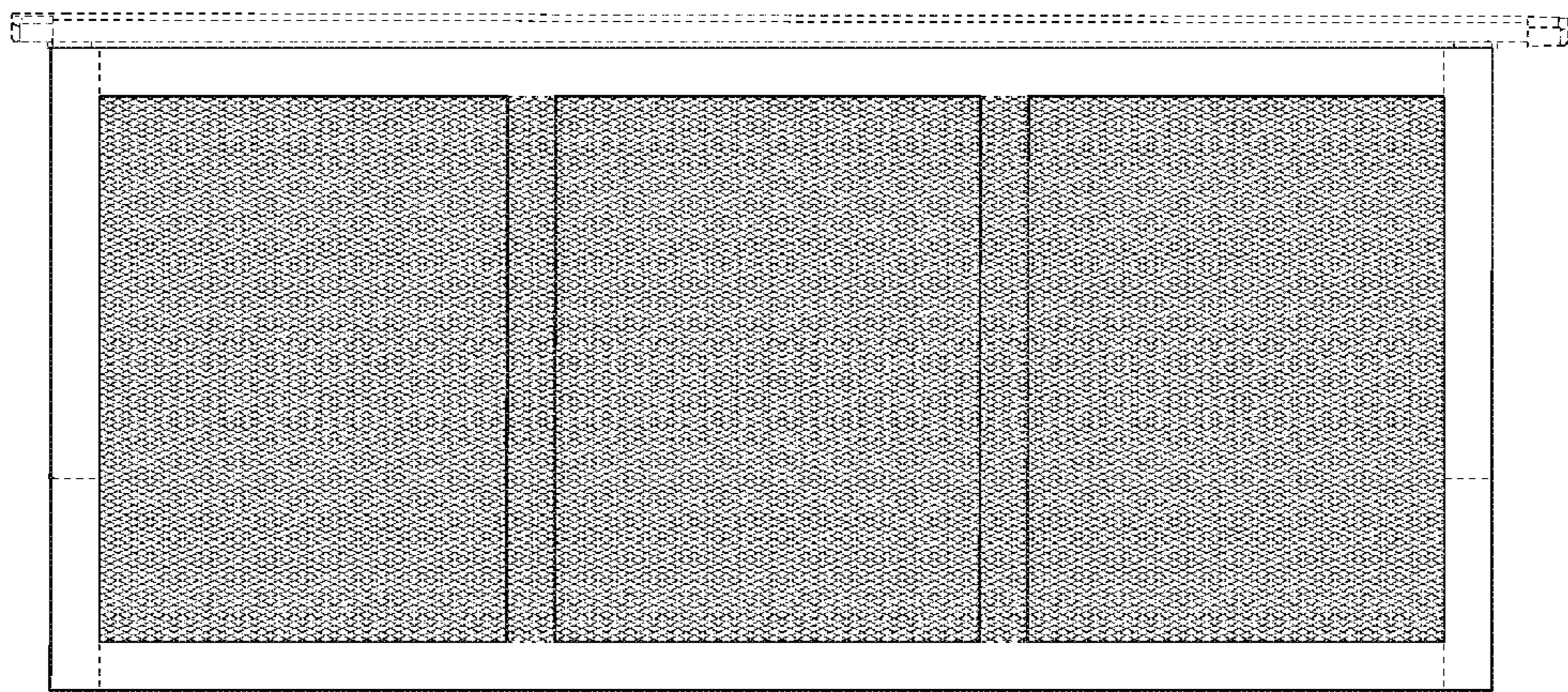


Fig. 2

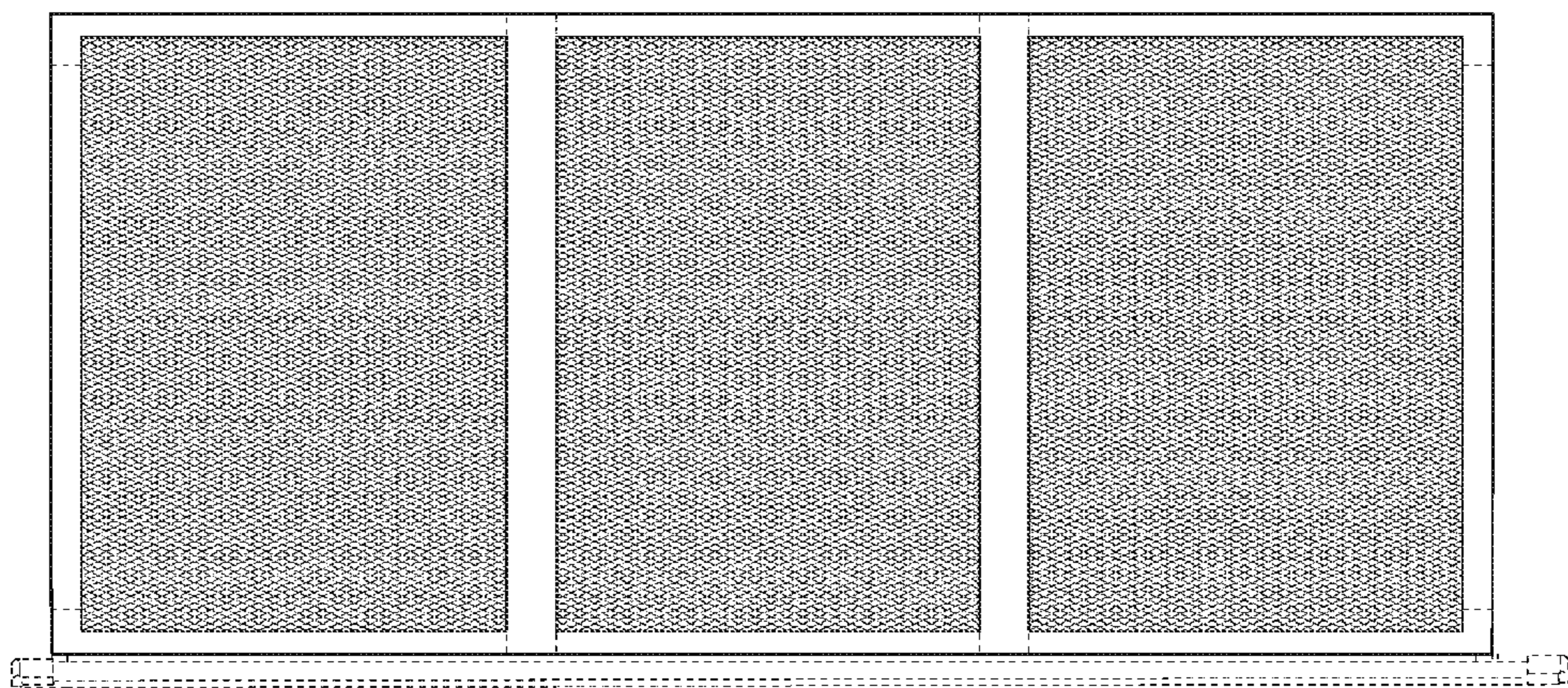


Fig. 3



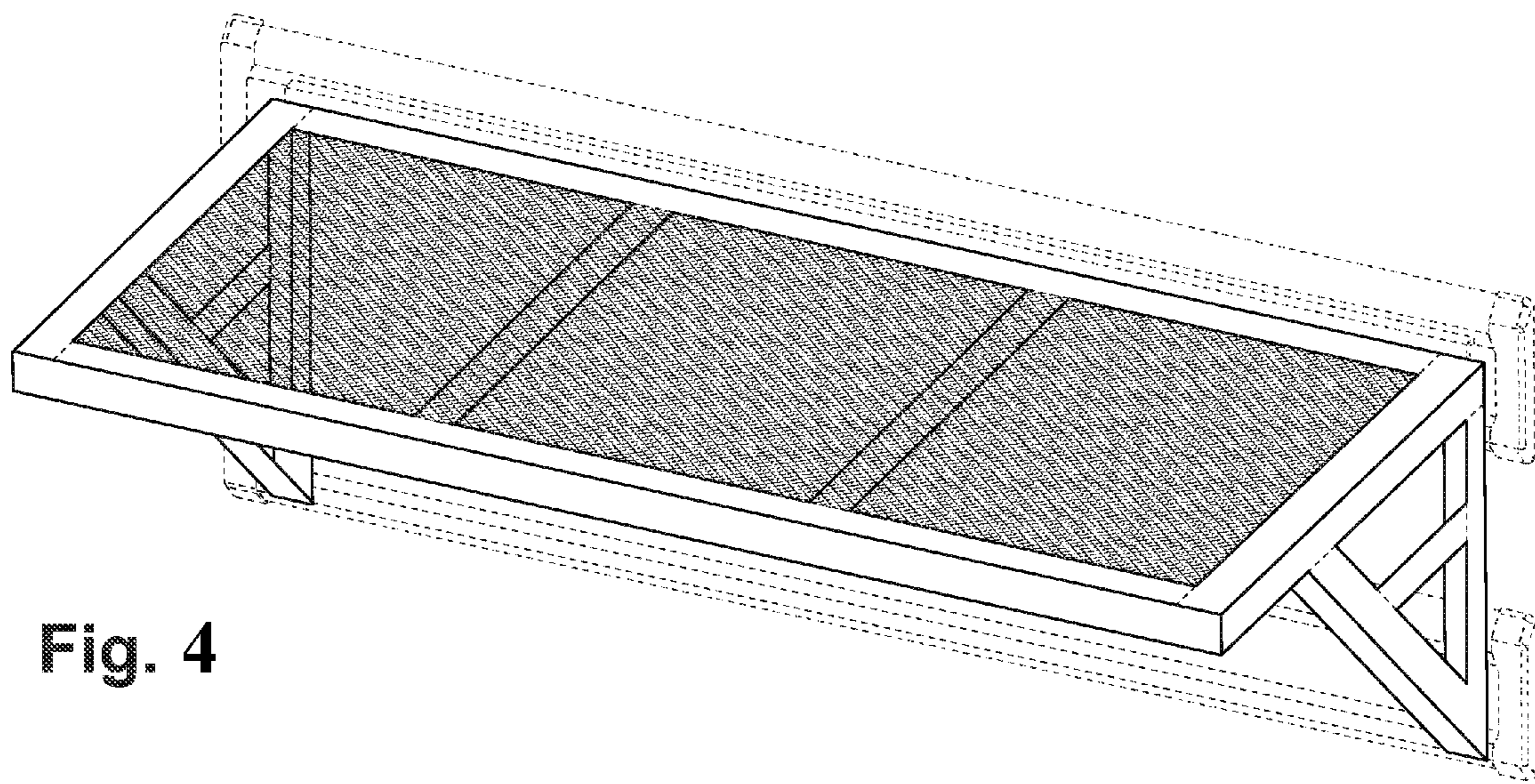


Fig. 4

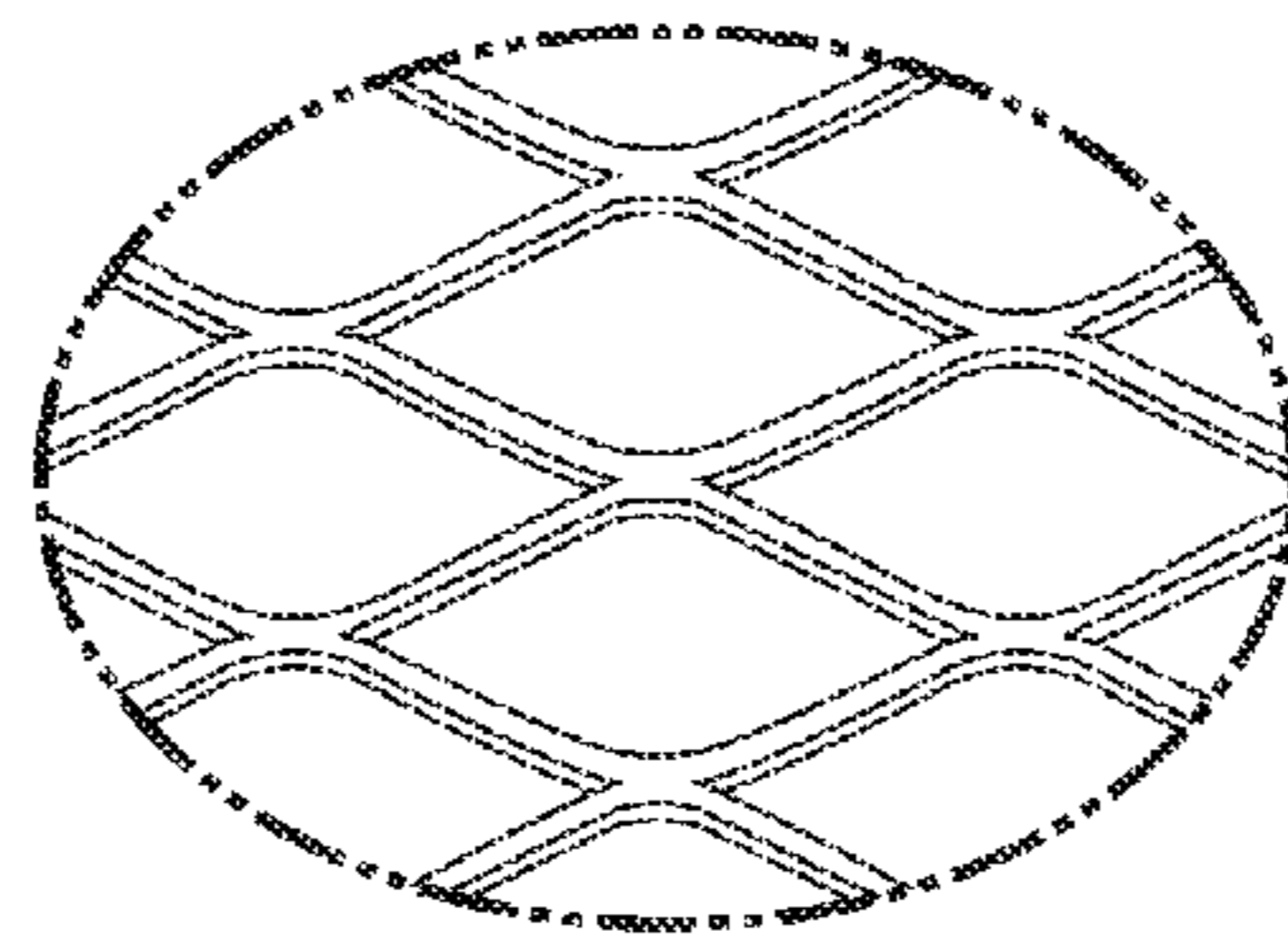


Fig. 5