



US00D621192S

(12) **United States Design Patent**
Yang

(10) **Patent No.:** **US D621,192 S**
(45) **Date of Patent:** **** Aug. 10, 2010**

(54) **TOOL HOLDER**

(75) Inventor: **Jack Yang**, Taichung (TW)

(73) Assignee: **Danaher Tool Limited, Taiwan Branch**, Taichung (TW)

(**) Term: **14 Years**

(21) Appl. No.: **29/338,553**

(22) Filed: **Jun. 12, 2009**

(51) **LOC (9) Cl.** **06-04**

(52) **U.S. Cl.** **D6/567**

(58) **Field of Classification Search** D6/553,
D6/567, 574, 512, 524; 211/13.1, 60.1, 60.9,
211/69.1, 69.5, 70.1, 70.6, 71.01; 248/309.1,
248/309.2, 310, 314

See application file for complete search history.

(56) **References Cited**

U.S. PATENT DOCUMENTS

3,370,696	A *	2/1968	Groe	211/70.6
D343,976	S *	2/1994	Chow	D6/571
D356,462	S *	3/1995	Ko	D6/570
D383,347	S *	9/1997	Cheung et al.	D6/553
D392,489	S *	3/1998	Ernst	D6/571

D443,160	S *	6/2001	Ernst	D6/553
D458,070	S *	6/2002	Bennett et al.	D6/567
D575,972	S *	9/2008	Shiao	D6/567
D602,724	S *	10/2009	Liu	D6/567

* cited by examiner

Primary Examiner—Brian N Vinson

(74) *Attorney, Agent, or Firm*—Pai Patent & Trademark Law Firm; Chao-Chang David Pai

(57) **CLAIM**

The ornamental design for tool holder, as shown and described.

DESCRIPTION

FIG. 1 is a perspective view of a tool holder showing my new design;

FIG. 2 is a front view thereof;

FIG. 3 is a rear view thereof;

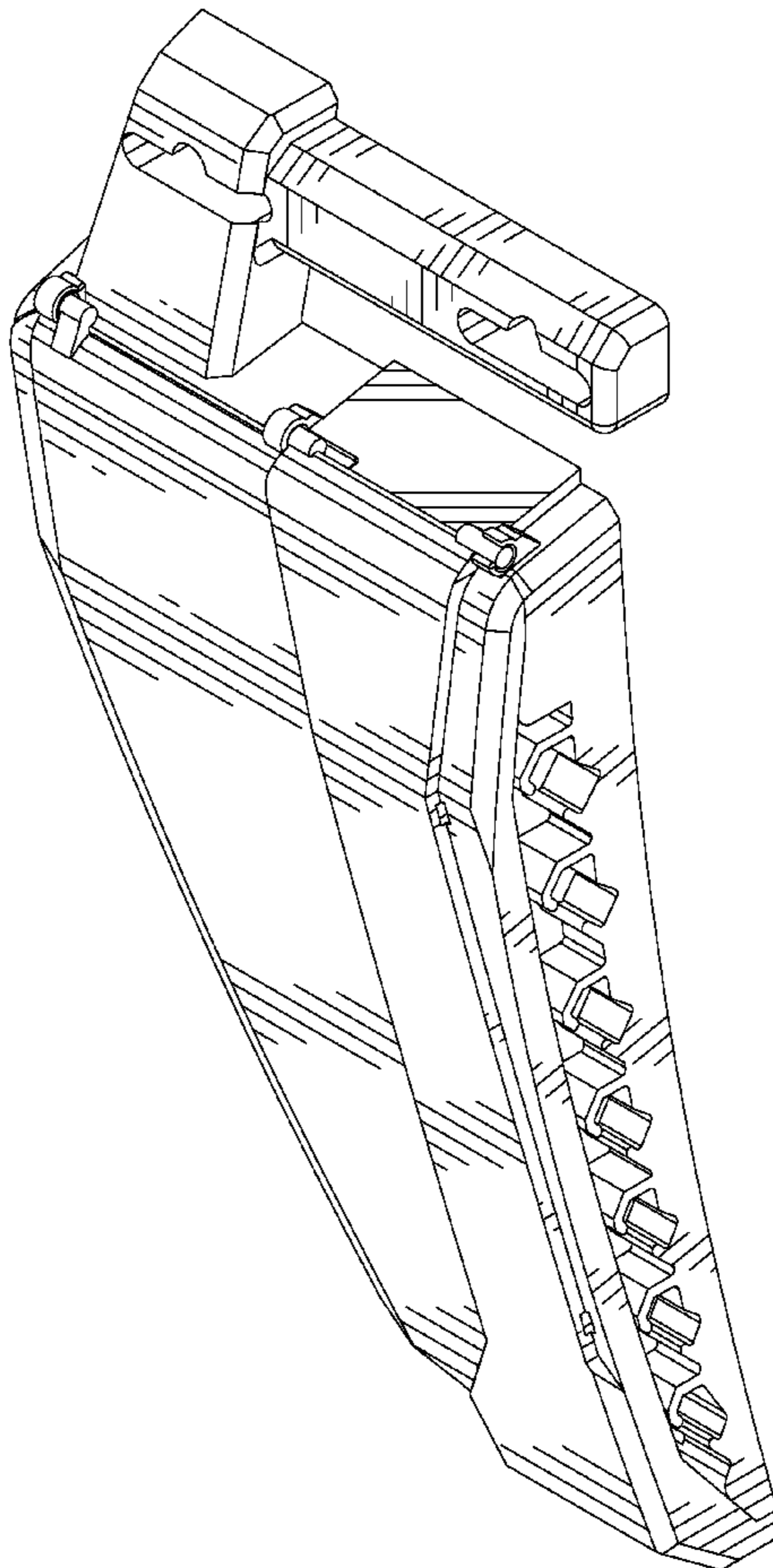
FIG. 4 is a left view thereof;

FIG. 5 is a right view thereof;

FIG. 6 is a top view thereof; and,

FIG. 7 is a bottom view thereof.

1 Claim, 5 Drawing Sheets



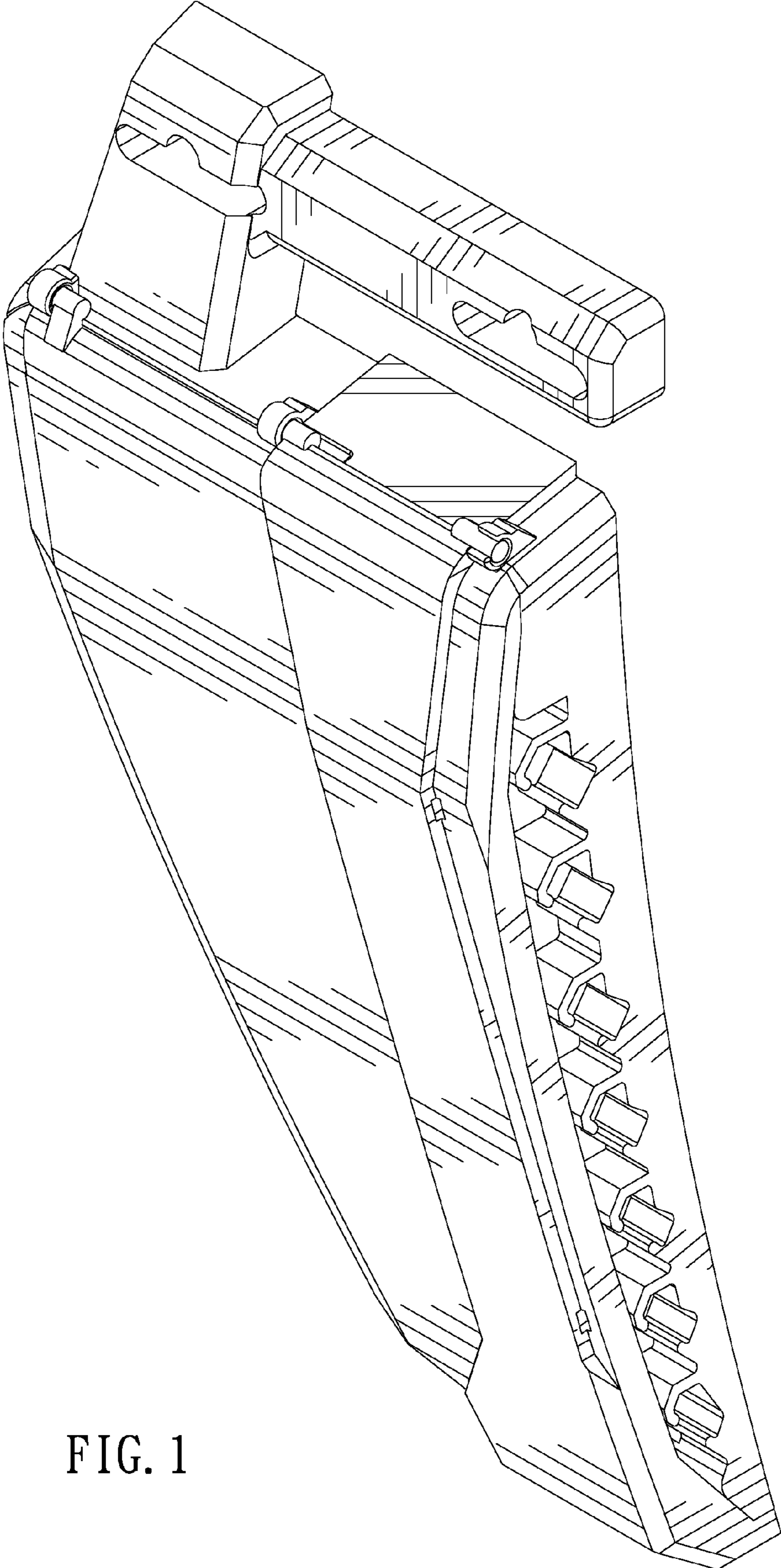


FIG. 1

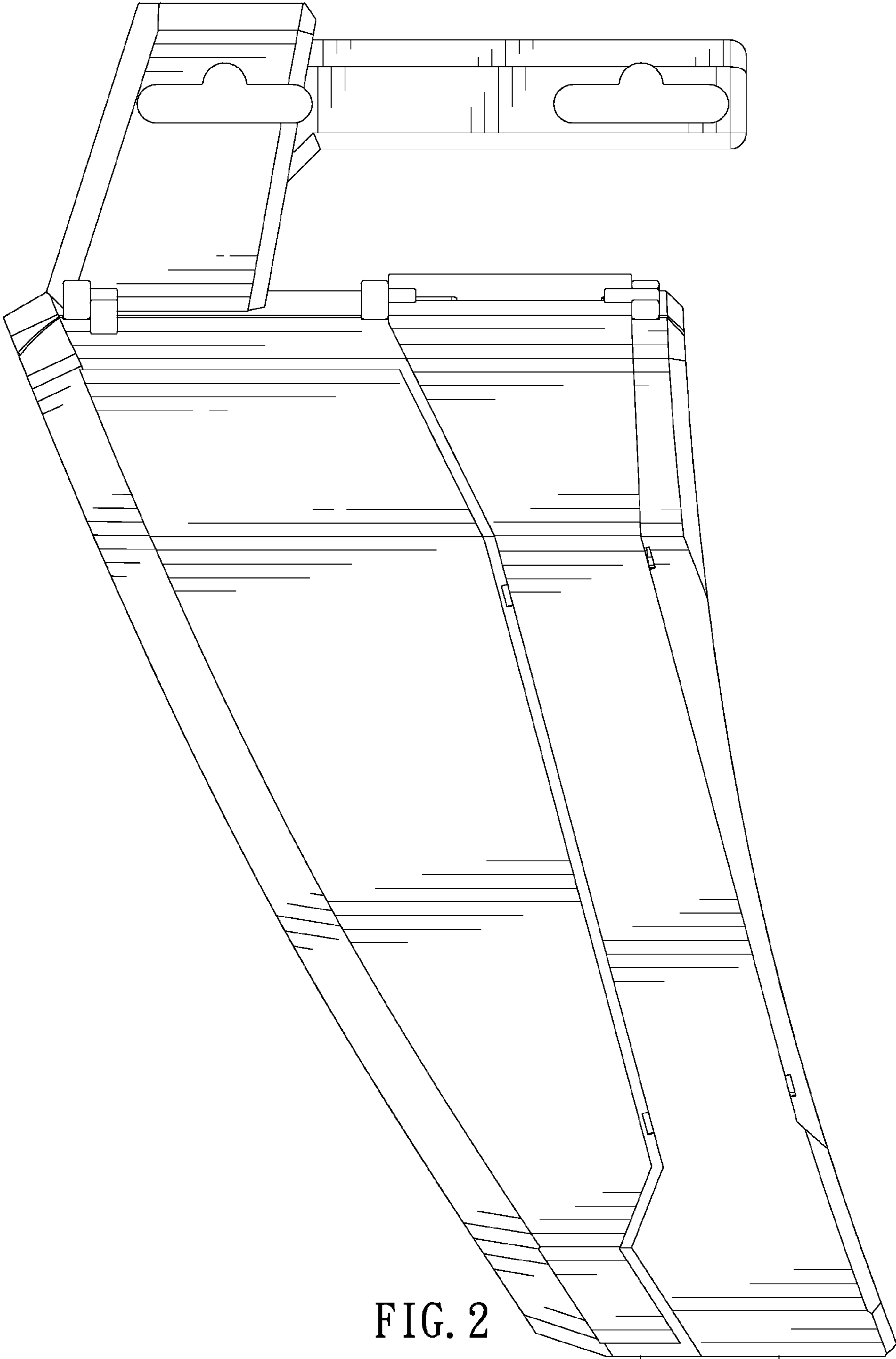


FIG. 2

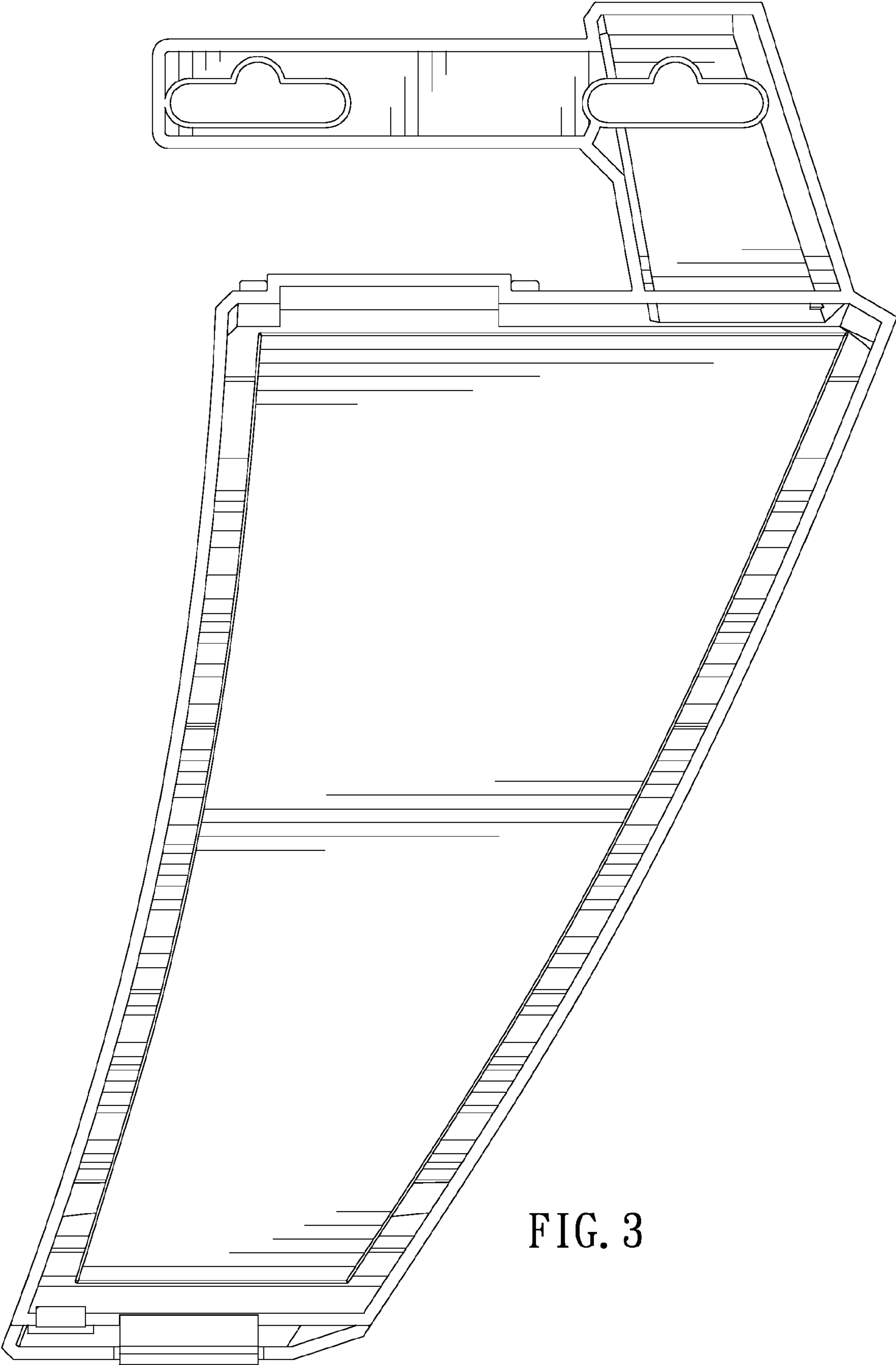


FIG. 3

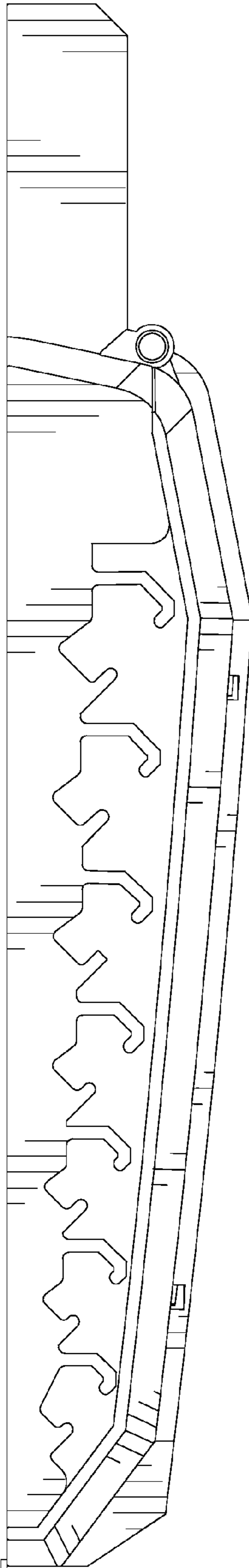


FIG. 4

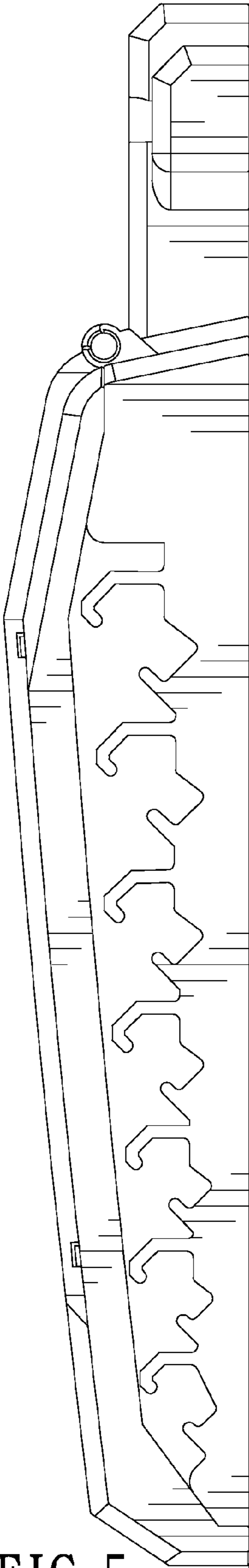


FIG. 5

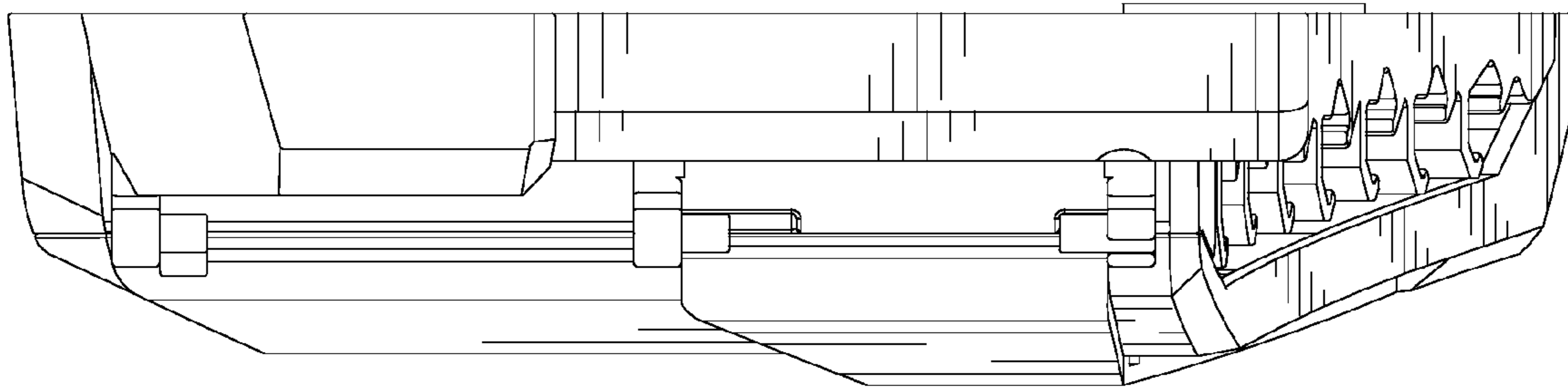


FIG. 6

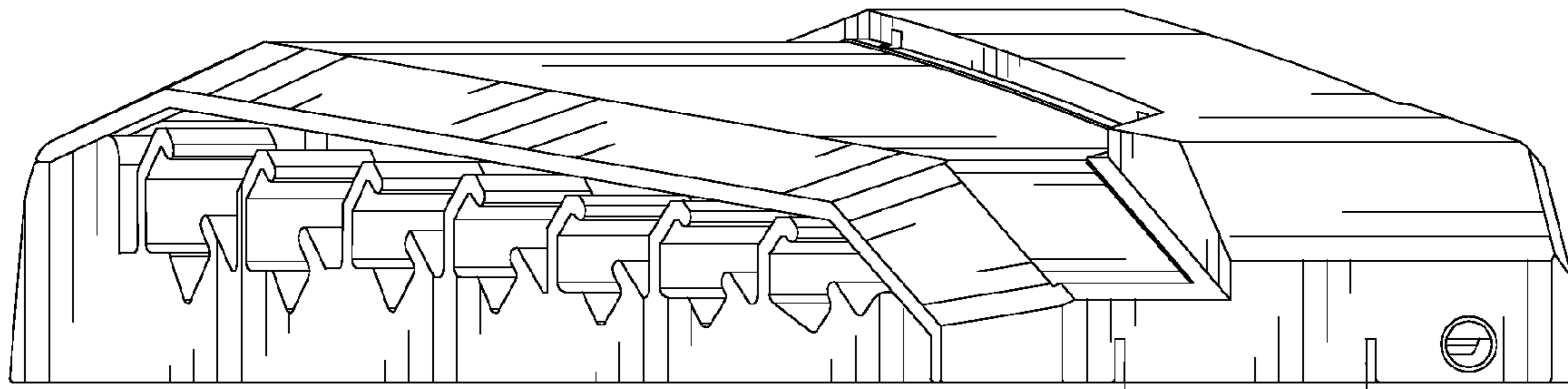


FIG. 7