



US00D621189S

(12) **United States Design Patent**
Hutson et al.

(10) **Patent No.:** **US D621,189 S**

(45) **Date of Patent:** **** Aug. 10, 2010**

(54) **SWIVELING ROLL HOLDER**

(75) Inventors: **Rocky L. Hutson**, 415 1/2 Ridge Trail,
Grand Junction, CO (US) 81504; **Marc
R. Coutu**, Whitewater, CO (US)

(73) Assignee: **Rocky L. Hutson**, Grand Junction, CO
(US)

(**) Term: **14 Years**

(21) Appl. No.: **29/355,366**

(22) Filed: **Feb. 5, 2010**

(51) **LOC (9) Cl.** **23-02**

(52) **U.S. Cl.** **D6/523**

(58) **Field of Classification Search** D6/518-524,
D6/546-550; 108/28-29; 211/13.1, 16,
211/60.1, 86.01, 87.01, 88.01, 88.04, 100,
211/105.1, 105.2, 123, 181.1, 182; 248/175,
248/176.1, 251, 302; 16/110.1, 415; 242/570,
242/590, 595-598; D8/300, 303, 315-321
See application file for complete search history.

(56) **References Cited**

U.S. PATENT DOCUMENTS

| | | | | |
|--------------|--------|-----------------|-------|--------|
| D477,167 S * | 7/2003 | Hoernig | | D6/523 |
| D486,681 S * | 2/2004 | Hoernig | | D6/523 |
| D540,593 S * | 4/2007 | Hoernig | | D6/523 |
| D550,489 S * | 9/2007 | Williams et al. | | D6/523 |
| D559,599 S * | 1/2008 | Bickler et al. | | D6/523 |
| D562,605 S * | 2/2008 | Hoernig | | D6/523 |
| D600,478 S * | 9/2009 | Linyear et al. | | D6/523 |

OTHER PUBLICATIONS

U.S. Appl. No. 12/701,288, filed Feb. 5, 2010, 23 pages.

* cited by examiner

Primary Examiner—Brian N Vinson

(74) *Attorney, Agent, or Firm*—Sheridan Ross P.C.

(57) **CLAIM**

We claim, the ornamental design for a swiveling roll holder,
as shown and described.

DESCRIPTION

This application is related to U.S. patent application Ser. No. 12/701,288, filed Feb. 5, 2010, directed to a swiveling roll holder, the entire disclosure of which is hereby incorporated herein by reference.

FIG. 1 is a perspective view of a swiveling roll holder of the present invention;

FIG. 2 is a first side elevation view of the invention illustrated in FIG. 1;

FIG. 3 is a top plan view of the invention illustrated in FIG. 1;

FIG. 4 is a second side elevation view of the invention illustrated in FIG. 1;

FIG. 5 is a rear elevation view of the invention illustrated in FIG. 1;

FIG. 6 is a front elevation view of the invention illustrated in FIG. 1; and,

FIG. 7 is a bottom plan view of the invention illustrated in FIG. 1.

The broken lines in the figures represent environment and form no part of the claimed design.

1 Claim, 3 Drawing Sheets

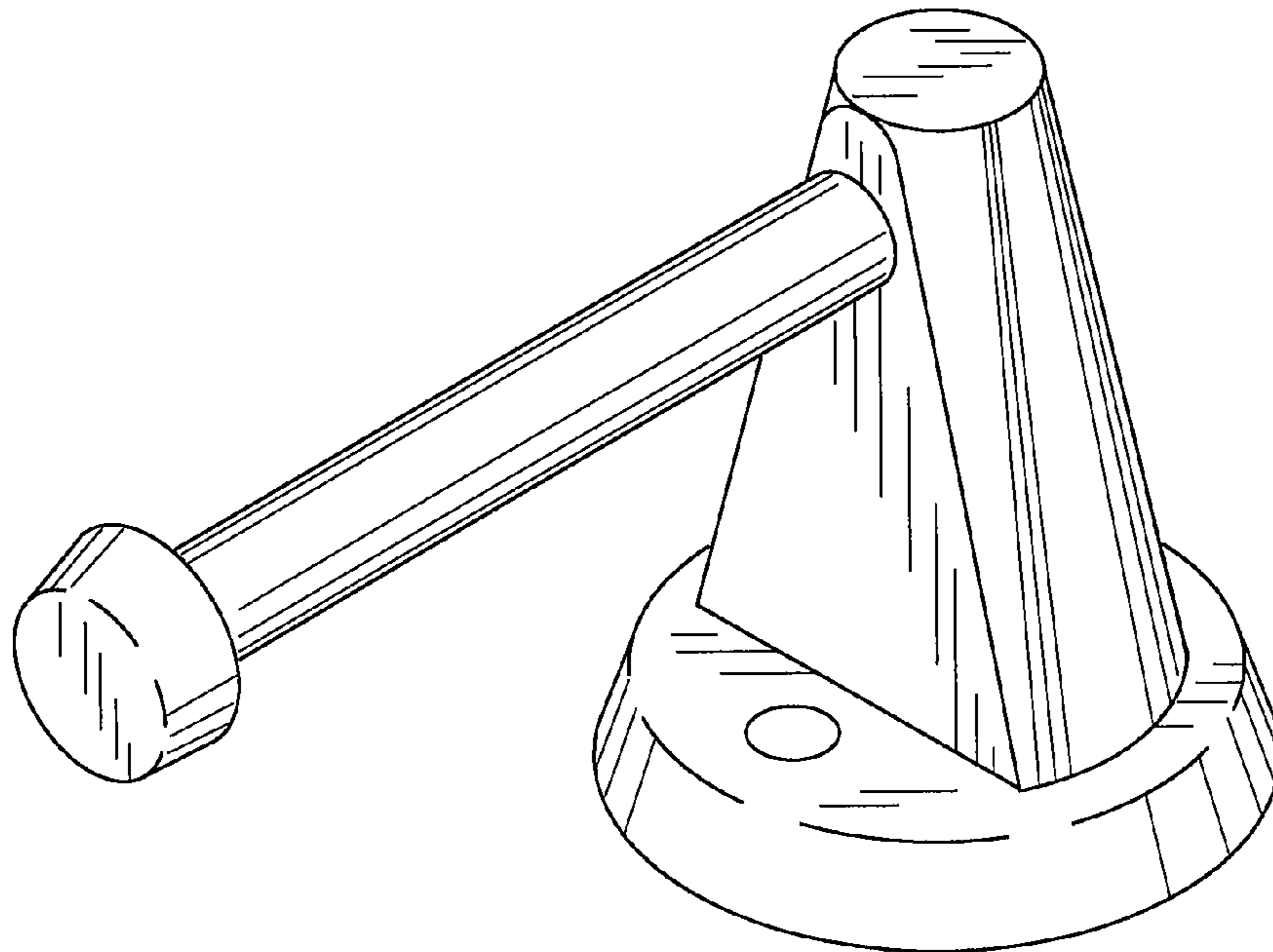


Fig. 1

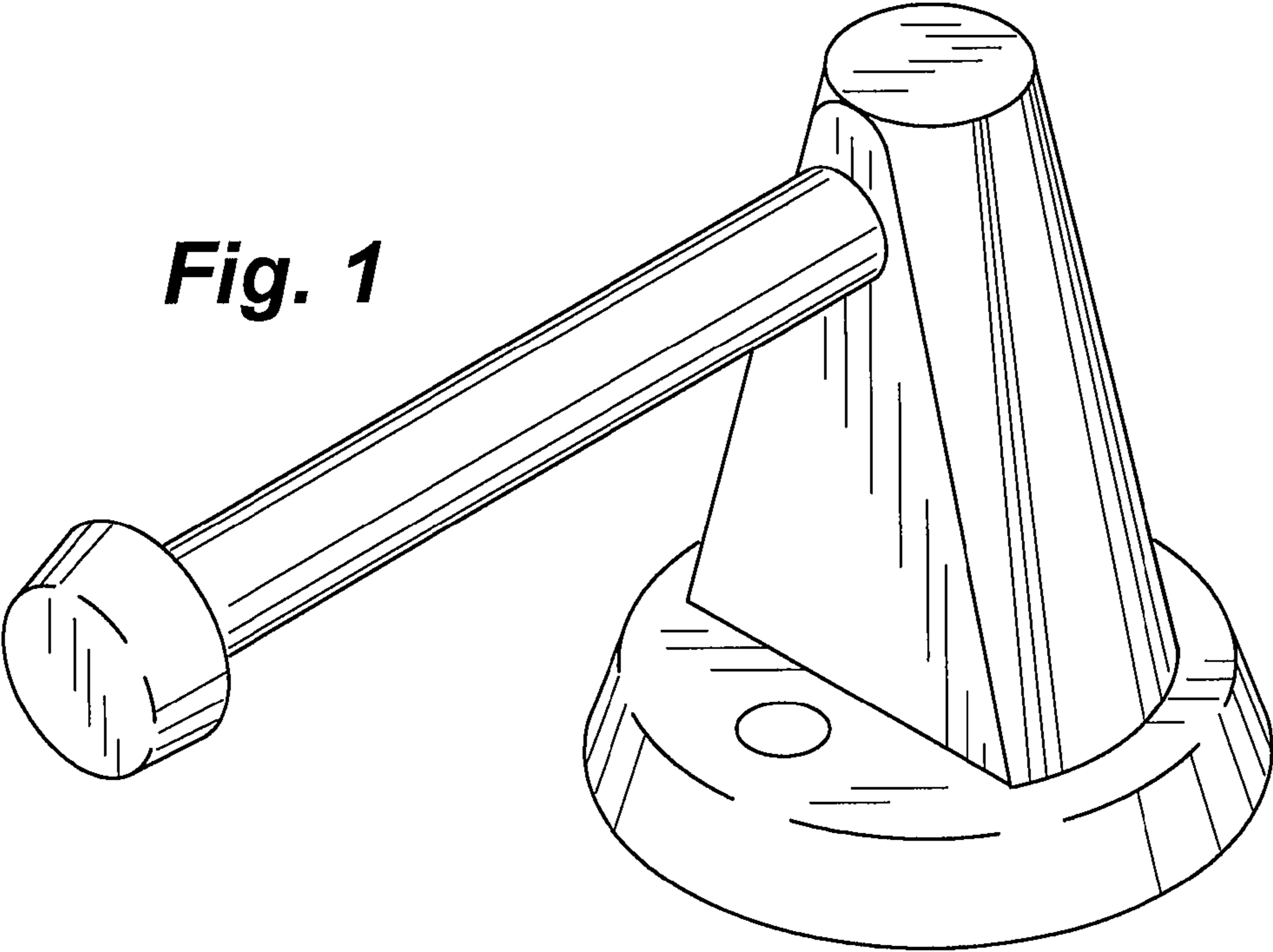
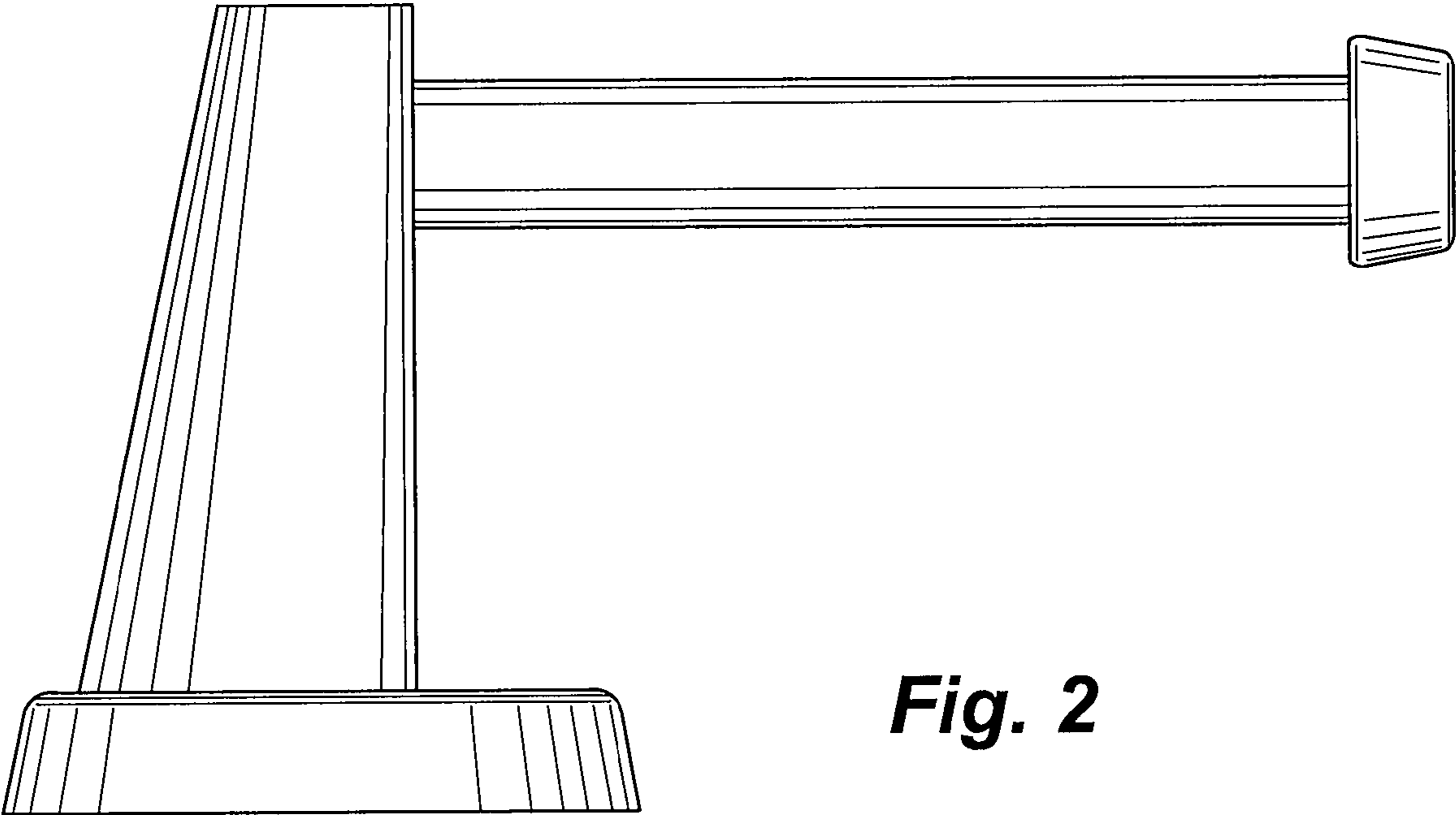


Fig. 2



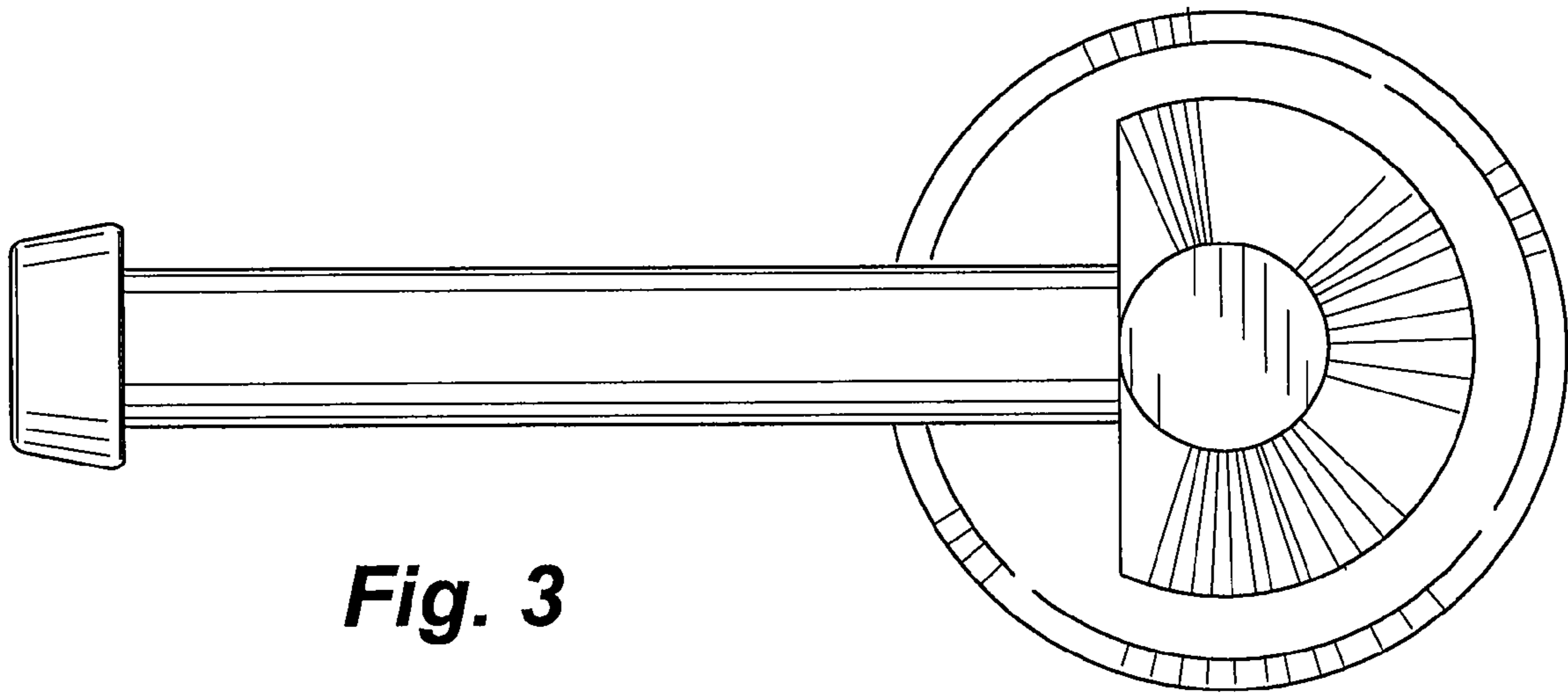


Fig. 3

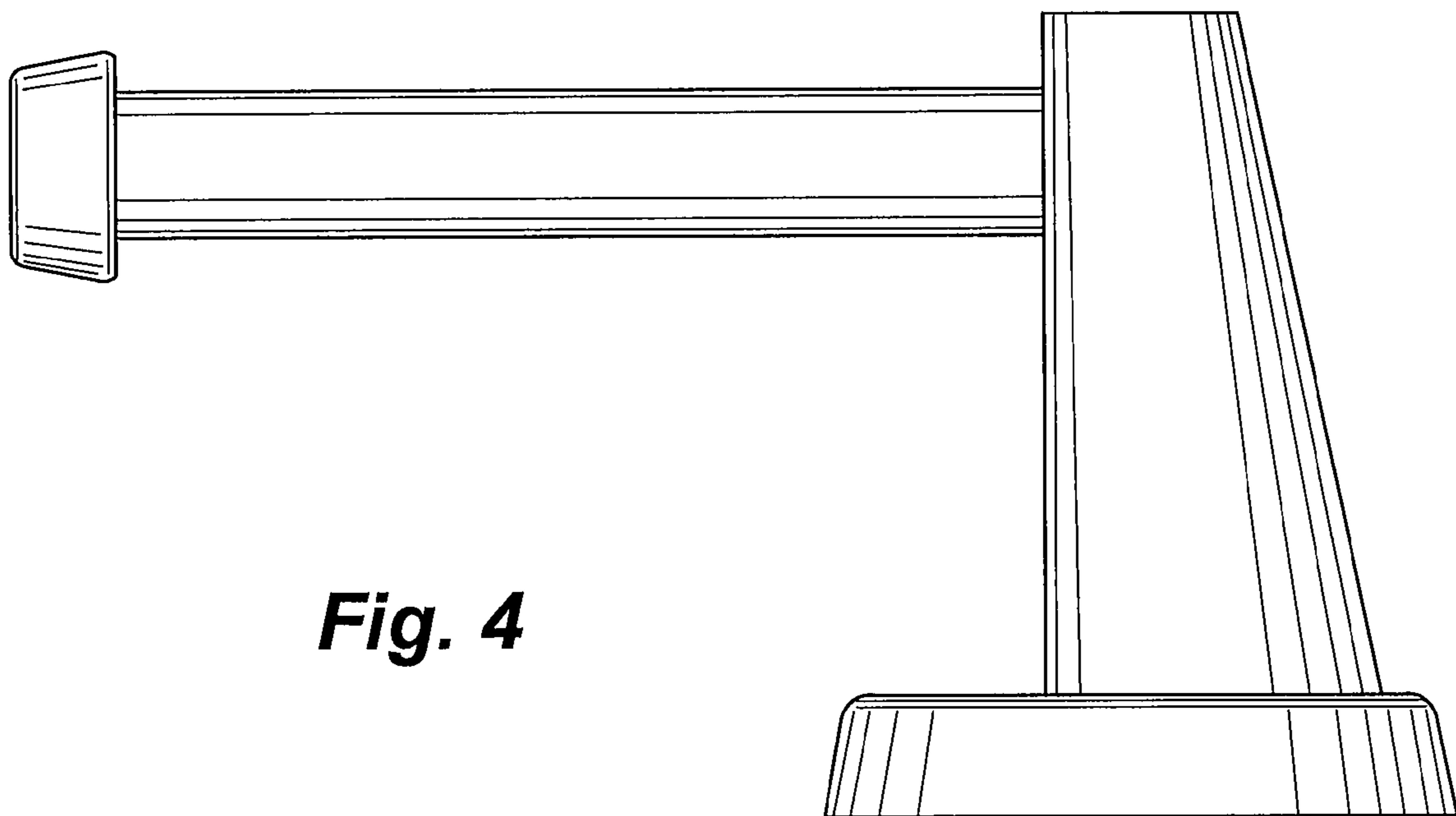


Fig. 4

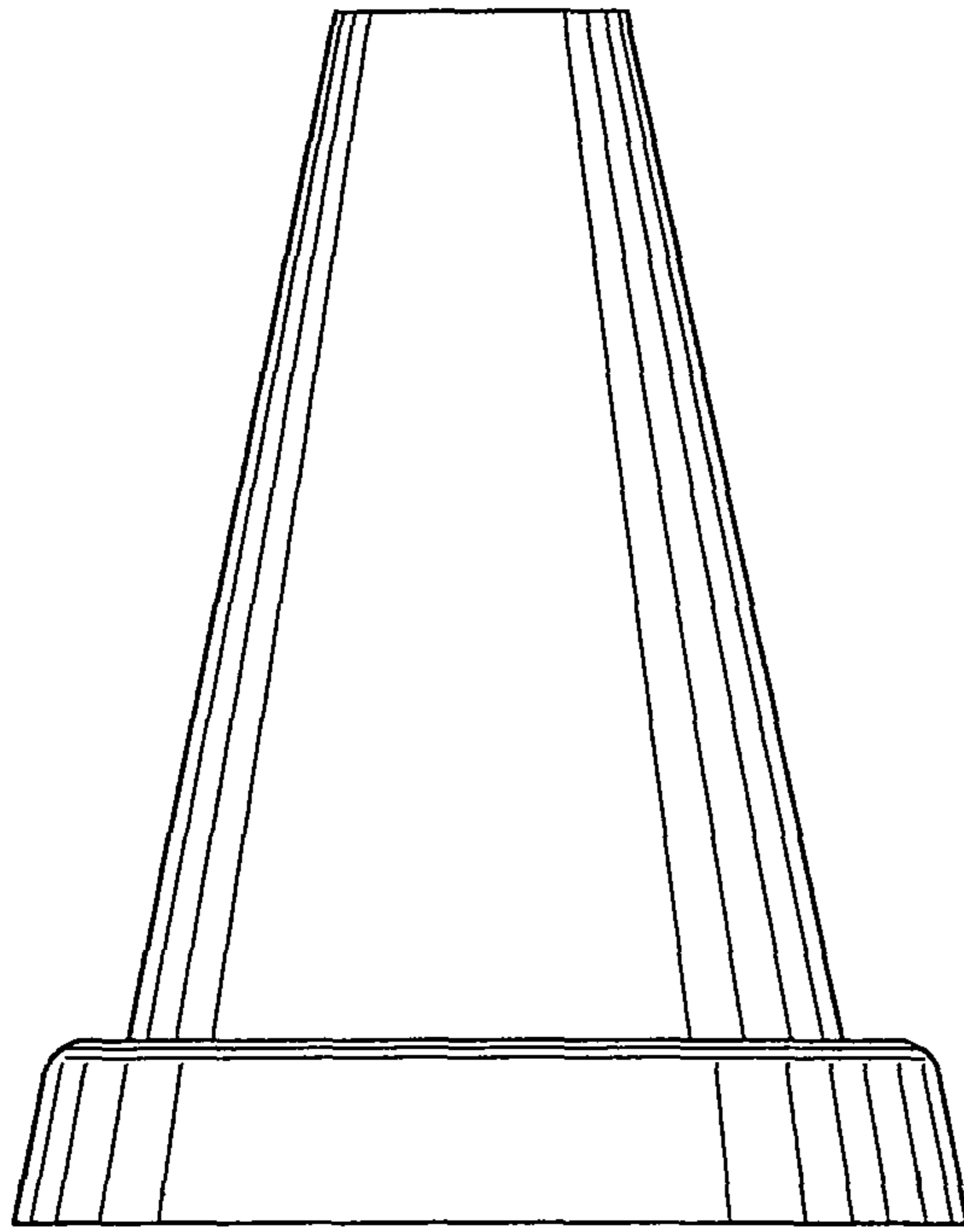


Fig. 5

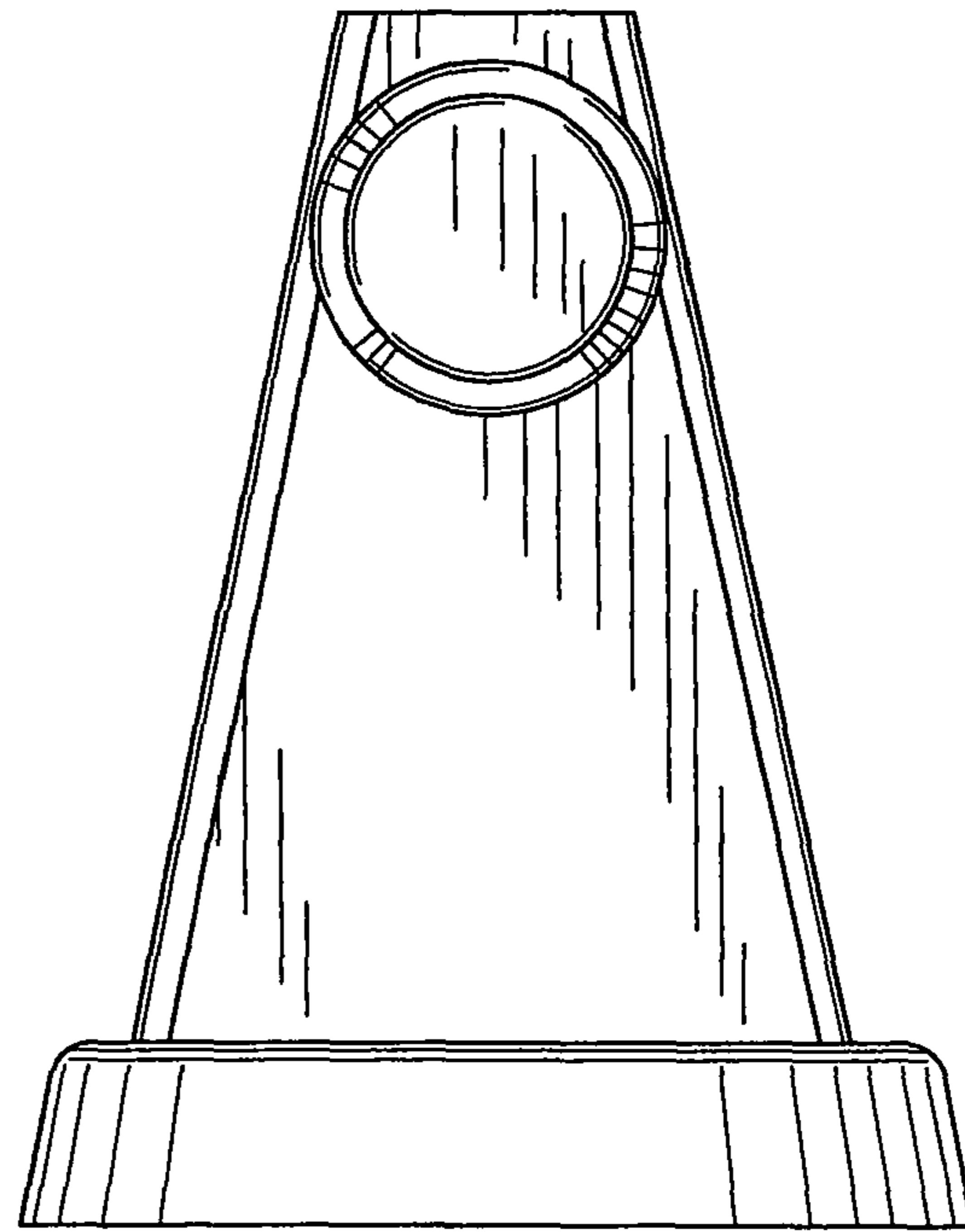


Fig. 6

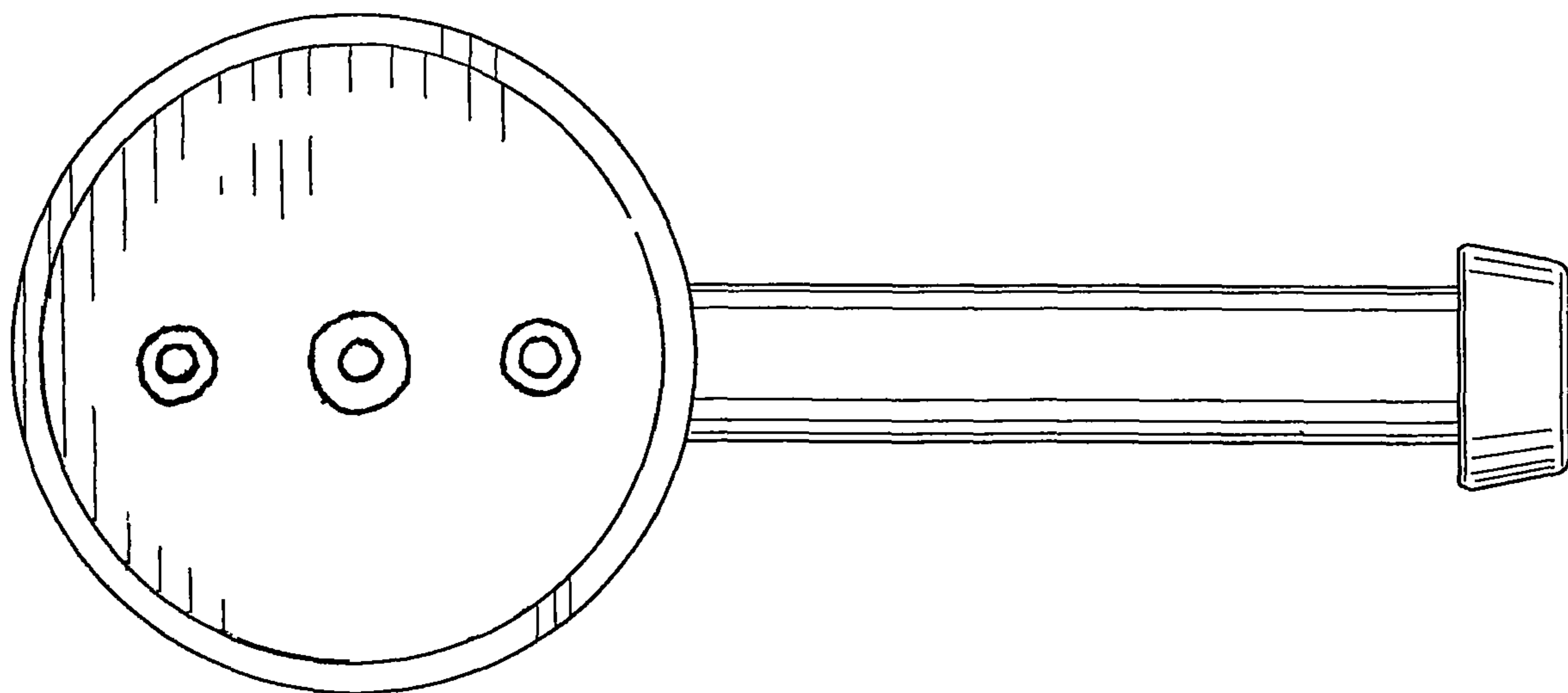


Fig. 7