



US00D621183S

(12) **United States Design Patent**
Wang et al.

(10) **Patent No.:** **US D621,183 S**

(45) **Date of Patent:** **** *Aug. 10, 2010**

(54) **TEA TABLE**

(75) Inventors: **Qiang Wang**, Shanghai (CN); **Deshi Zhu**, Shanghai (CN)

(73) Assignee: **Crosplus Home Furnishings(Shanghai) Co., Ltd**, Shanghai (CN)

(*) Notice: This patent is subject to a terminal disclaimer.

(**) Term: **14 Years**

(21) Appl. No.: **29/317,372**

(22) Filed: **Apr. 29, 2008**

(30) **Foreign Application Priority Data**

Dec. 20, 2007 (CN) 200730086602

(51) **LOC (9) Cl.** **06-03**

(52) **U.S. Cl.** **D6/484**

(58) **Field of Classification Search** D6/480-489,
D6/495-499, 429-430, 477, 479, 349, 436;
108/153.1, 155, 156, 161, 50.01, 50.02; 248/188,
248/188.1, 188.8; D21/522

See application file for complete search history.

(56) **References Cited**

U.S. PATENT DOCUMENTS

D239,672 S *	4/1976	Adkinson	D6/484
D389,346 S *	1/1998	Schefcik	D6/484
D476,504 S *	7/2003	Jackson	D6/429
D553,386 S *	10/2007	Soressi	D6/436
D554,395 S *	11/2007	Kreiss	D6/484

* cited by examiner

Primary Examiner—Janice E Seeger

(74) *Attorney, Agent, or Firm*—Bourque and Associates, PA

(57) **CLAIM**

The ornamental design for a tea table, as shown.

DESCRIPTION

FIG. 1 is a front view of a the tea table;

FIG. 2 is a right side view of the tea table;

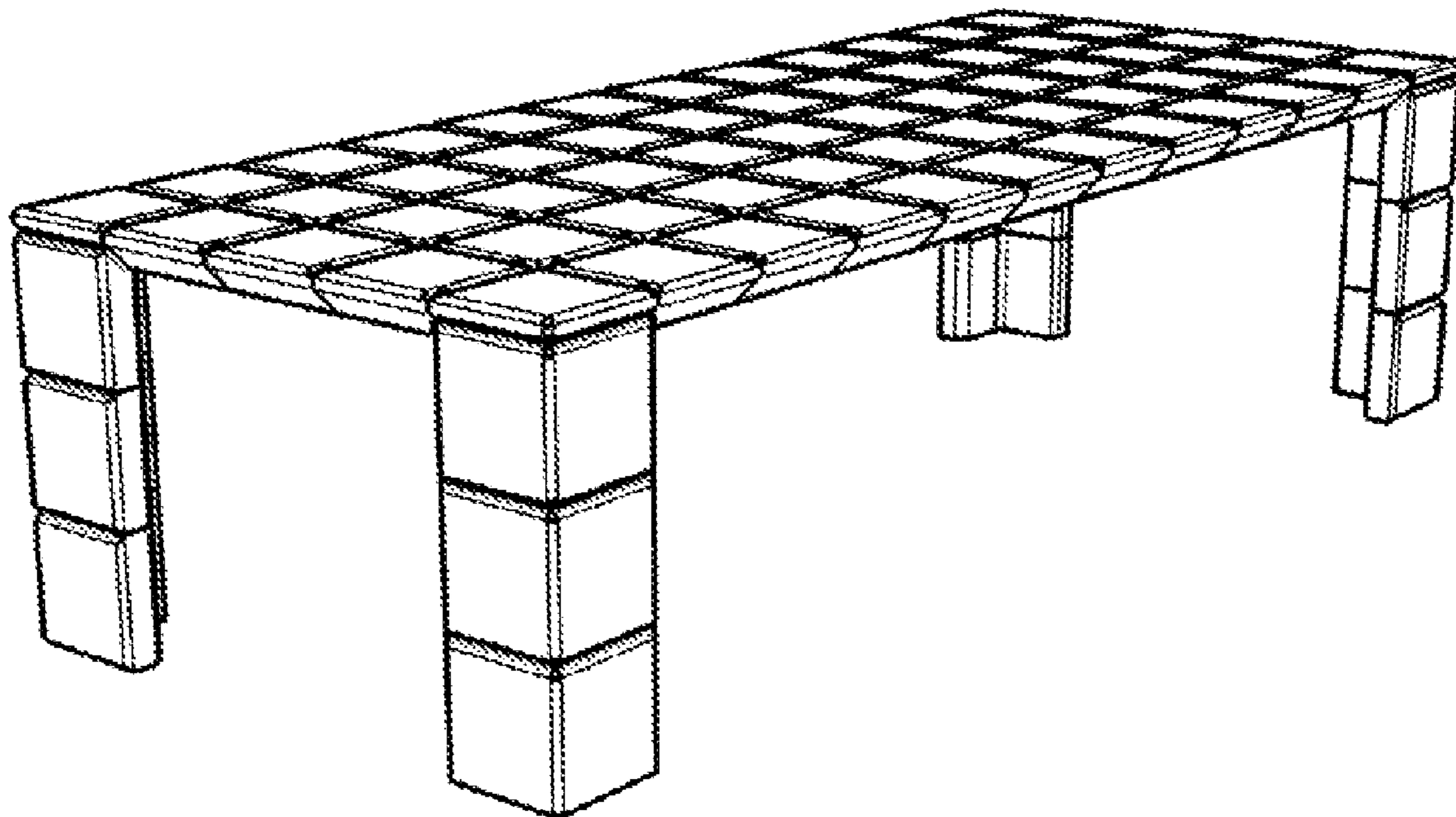
FIG. 3 is a left side view of the tea table;

FIG. 4 is a bottom view of the tea table;

FIG. 5 is a top view of the table; and,

FIG. 6 is a front and left side perspective view of the tea table.

1 Claim, 2 Drawing Sheets



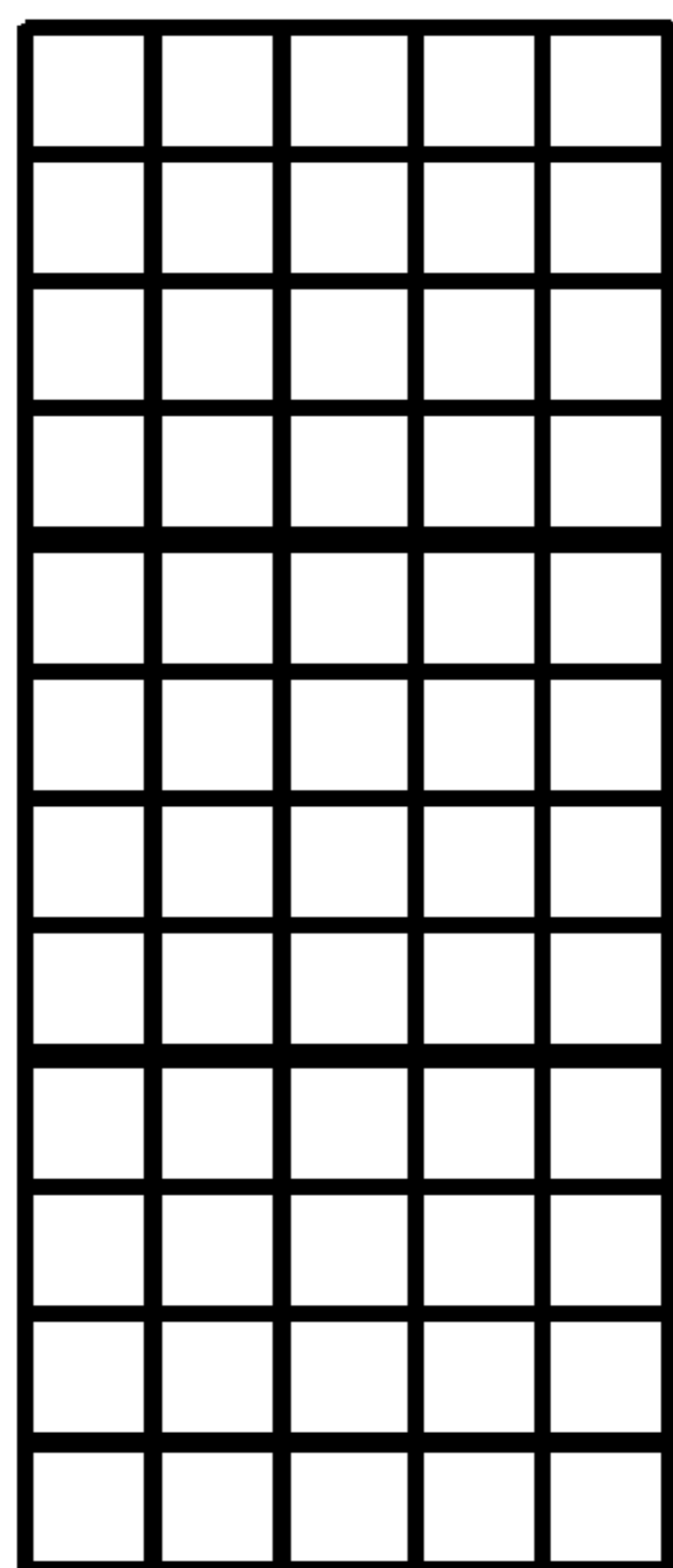


Figure 5

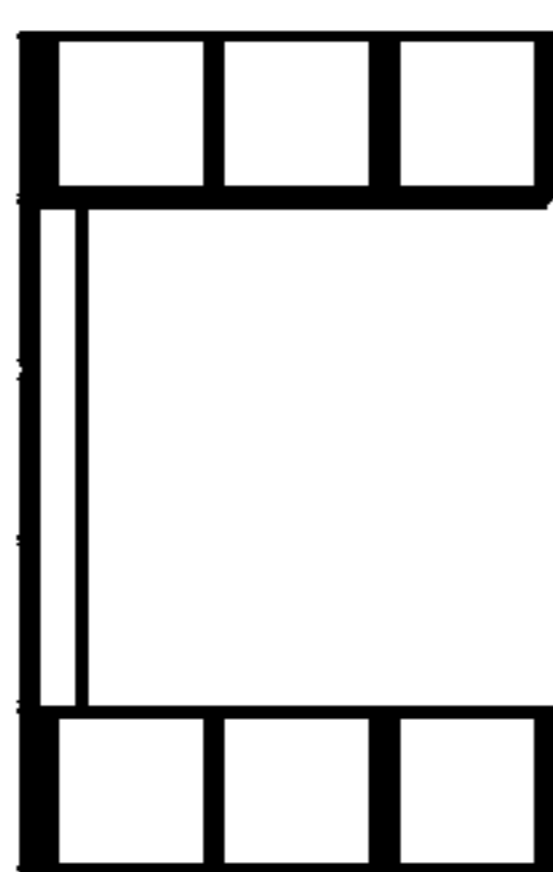


Figure 2



Figure 1

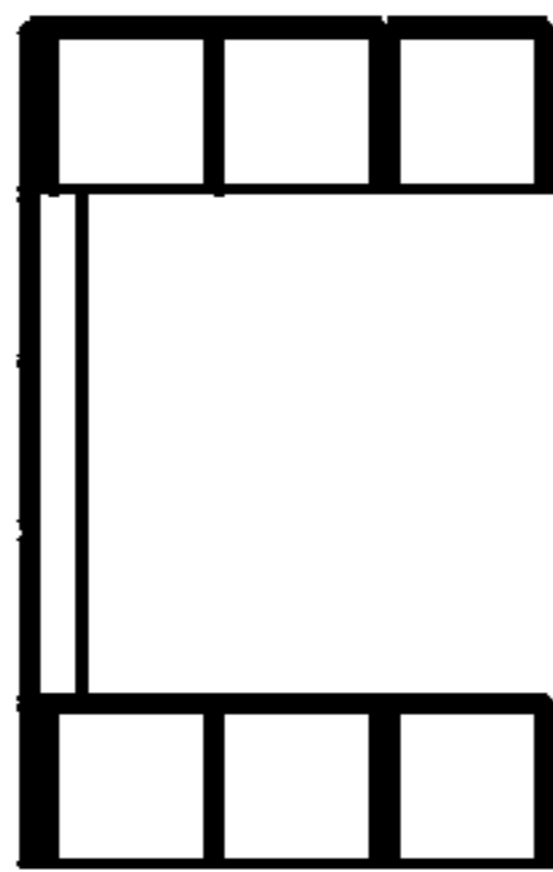


Figure 3

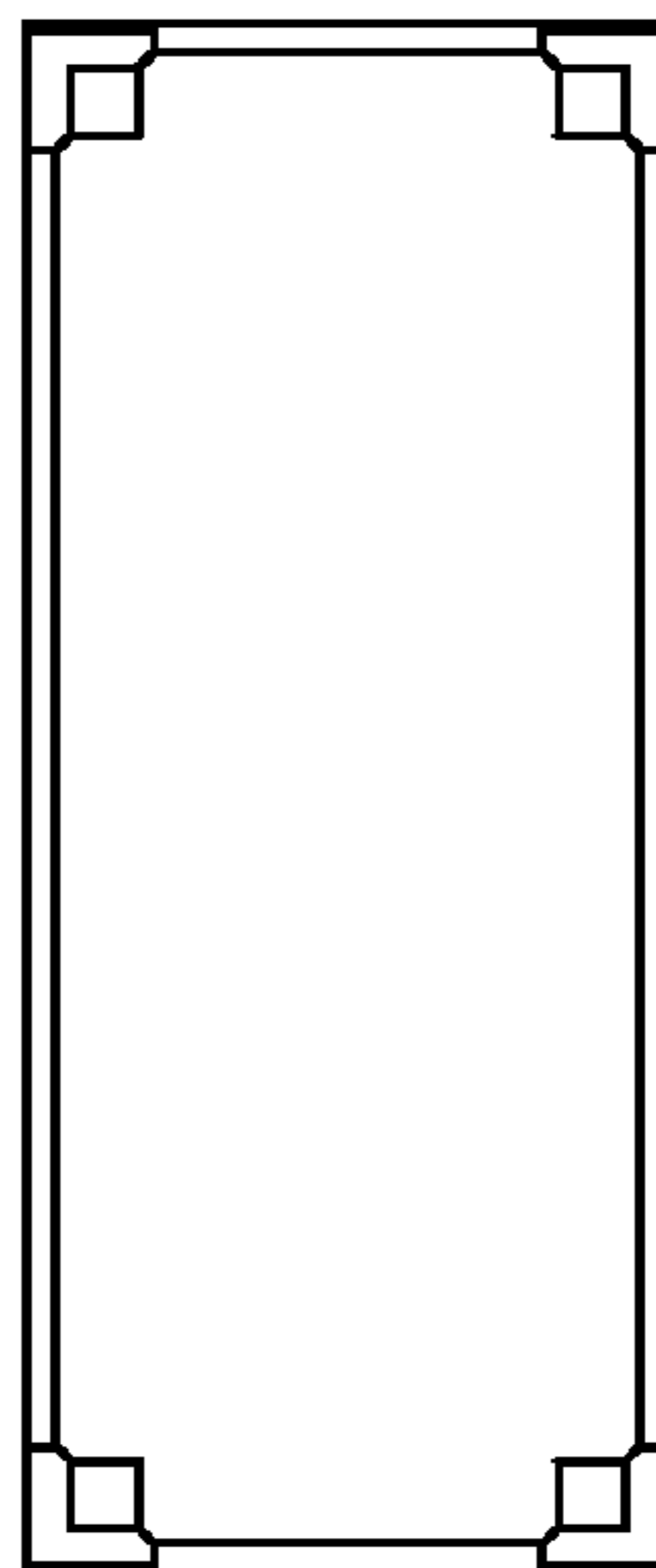


Figure 4

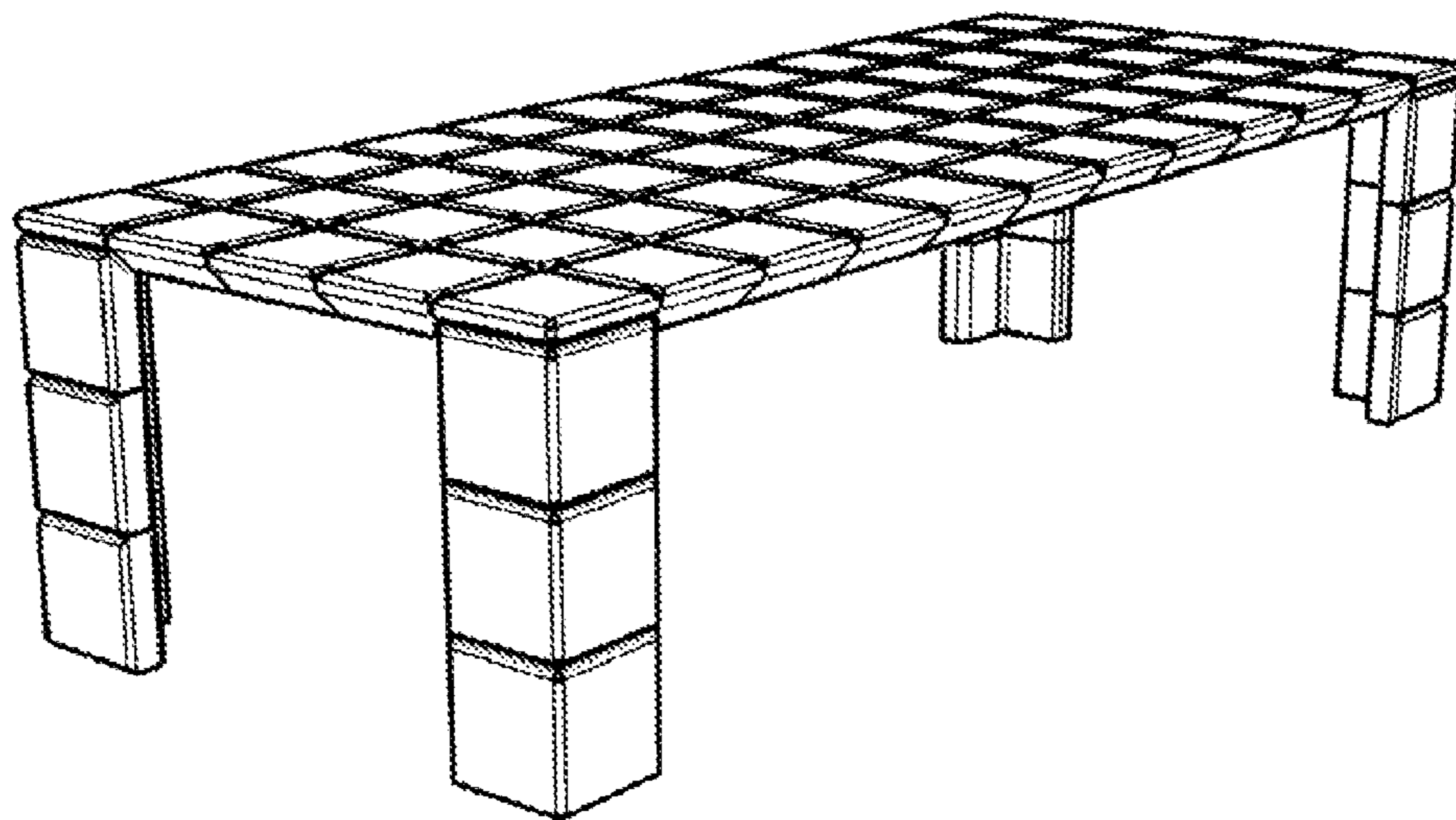


Figure 6