



US00D621180S

(12) **United States Design Patent**
Barabas et al.

(10) **Patent No.:** **US D621,180 S**

(45) **Date of Patent:** **** Aug. 10, 2010**

(54) **MOUNT FOR A DIGITAL MEDIA PLAYER**

(75) Inventors: **Alfred Barabas**, La Habra, CA (US);
Laszlo Barabas, Rancho Palos Verdes,
CA (US)

(73) Assignee: **Dice Electronics, LLC**, Signal Hill, CA
(US)

(**) Term: **14 Years**

(21) Appl. No.: **29/352,366**

(22) Filed: **Dec. 18, 2009**

Related U.S. Application Data

(60) Continuation-in-part of application No. 29/335,310,
filed on Apr. 13, 2009, now Pat. No. Des. 609,030,
which is a division of application No. 29/256,552, filed
on Mar. 22, 2006, now Pat. No. Des. 590,184.

(51) **LOC (9) Cl.** **06-04**

(52) **U.S. Cl.** **D6/466**

(58) **Field of Classification Search** D6/466,
D6/436, 449, 473-479; 312/7.1, 7.2, 9.1,
312/111; D14/126, 133, 239, 224, 224.1,
D14/251; 211/85.7, 133.1

See application file for complete search history.

(56) **References Cited**

U.S. PATENT DOCUMENTS

D98,786 S 3/1936 Sunderhauf
D123,019 S 10/1940 Rivers
D323,085 S 1/1992 Konkel
D361,450 S 8/1995 Weatherby

D391,098 S 2/1998 Northrop
D468,134 S 1/2003 Oikawa
D471,034 S 3/2003 Bong et al.
D476,171 S 6/2003 Hirano
D517,838 S 3/2006 Luong
D529,316 S 10/2006 Fujiki
D581,187 S 11/2008 Vihauer
D590,184 S * 4/2009 Barabas et al. D6/466

* cited by examiner

Primary Examiner—Caron Veynar

Assistant Examiner—Abraham Bahta

(74) *Attorney, Agent, or Firm*—Knobbe, Martens, Olson &
Bear LLP

(57) **CLAIM**

The ornamental design for a mount for a digital media player,
as shown and described.

DESCRIPTION

FIG. 1 is a perspective view of a mount for a digital media
player, in an exploded condition.

FIG. 2 is a perspective view of a top, front and right side of the
mount of FIG. 1.

FIG. 3 is a front view of the mount of FIG. 1.

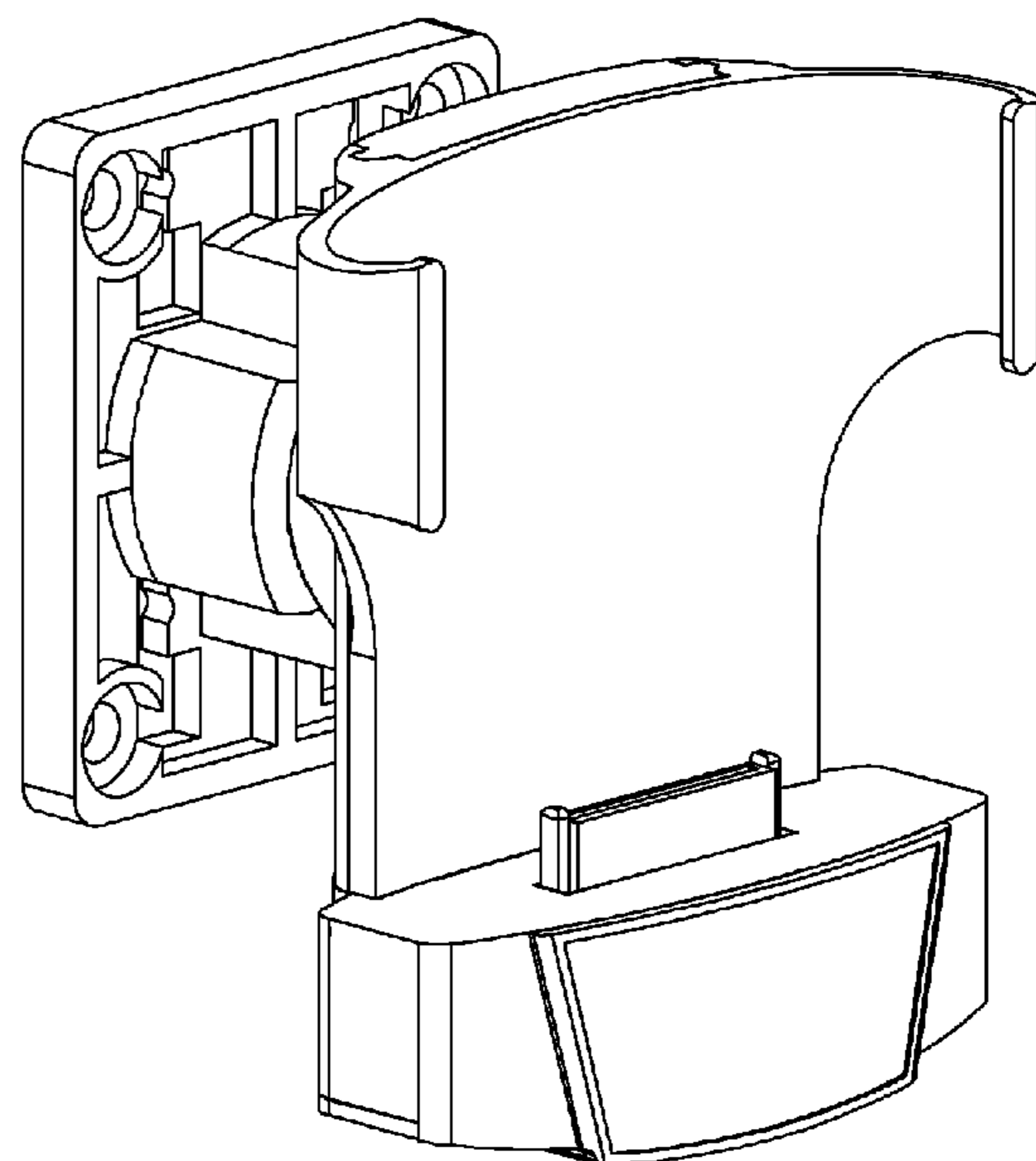
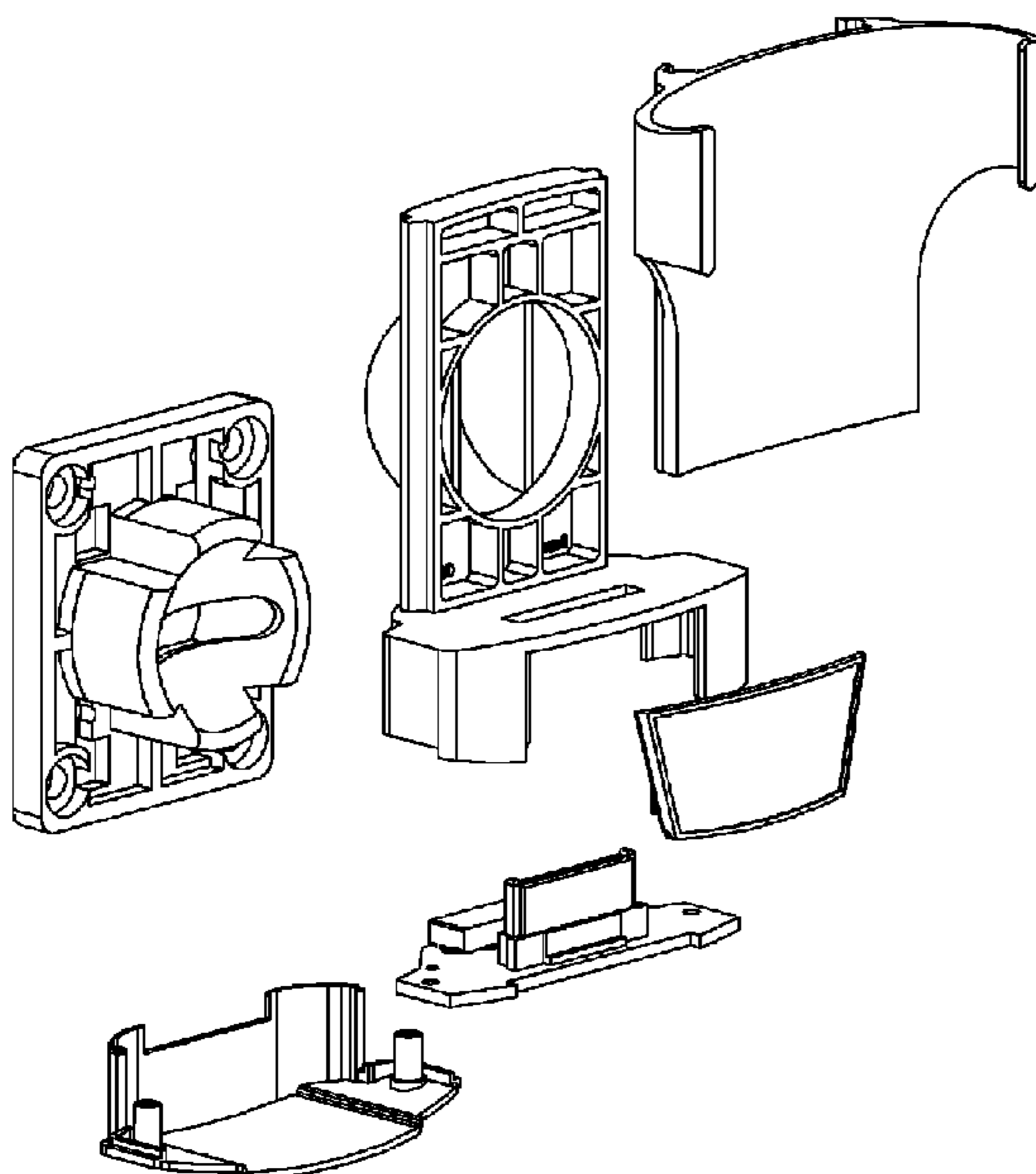
FIG. 4 is a rear view of the mount of FIG. 1.

FIG. 5 is a top view of the mount of FIG. 1.

FIG. 6 is a bottom view of the mount of FIG. 1; and,

FIG. 7 is a right side view of the mount of FIG. 1, the left side
view being a mirror image thereof.

1 Claim, 4 Drawing Sheets



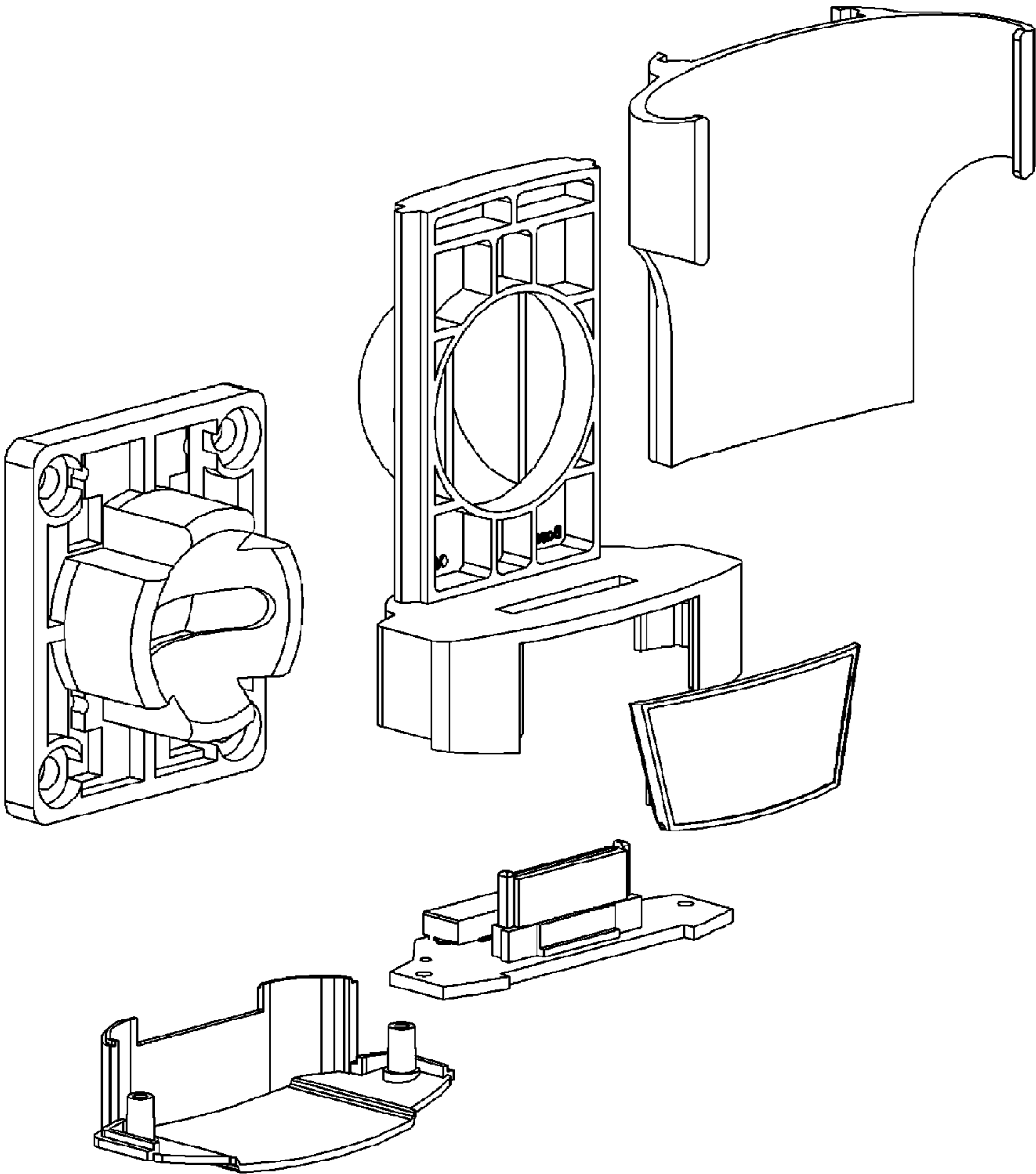


FIG. 1

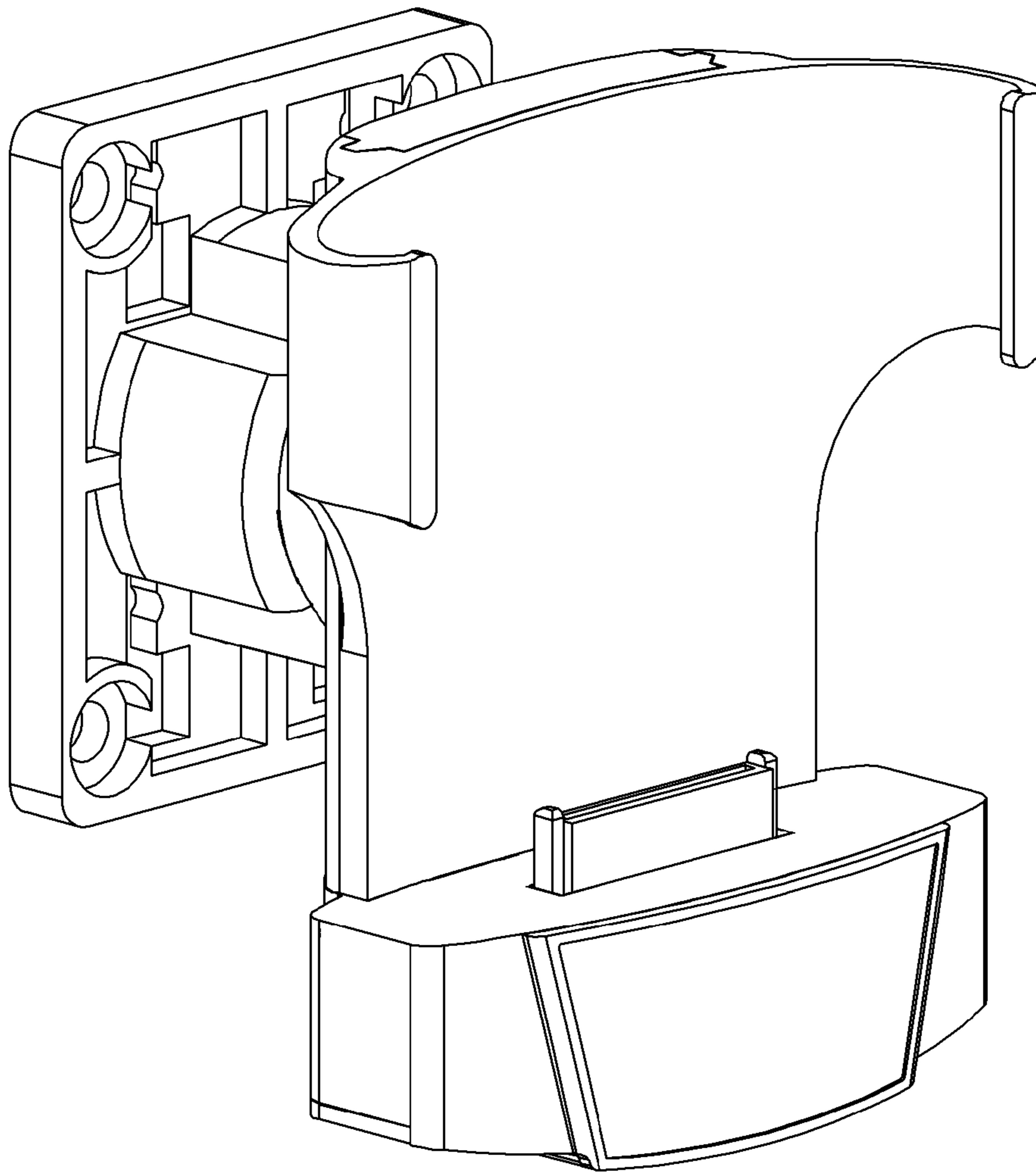


FIG. 2

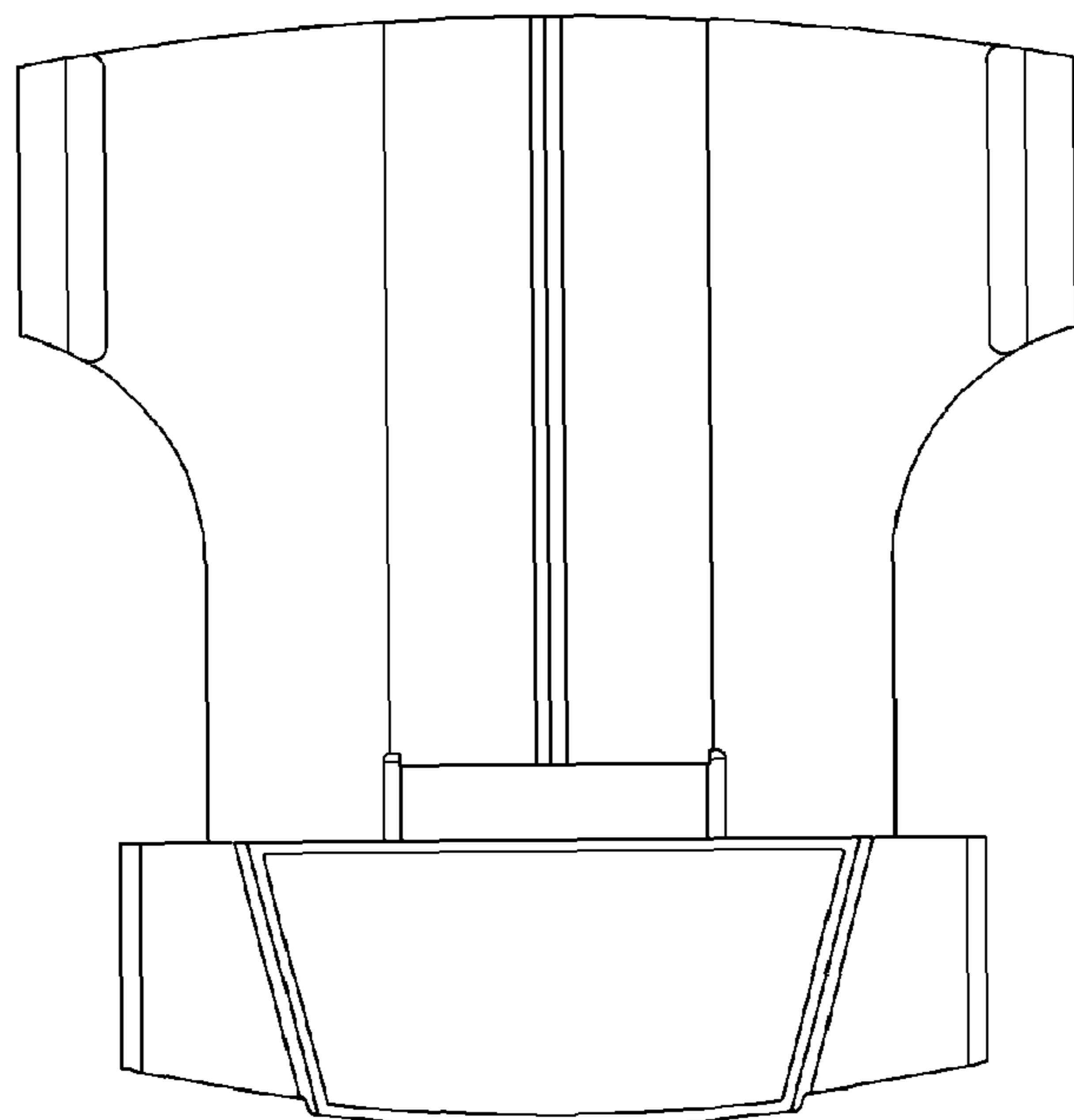


FIG. 3

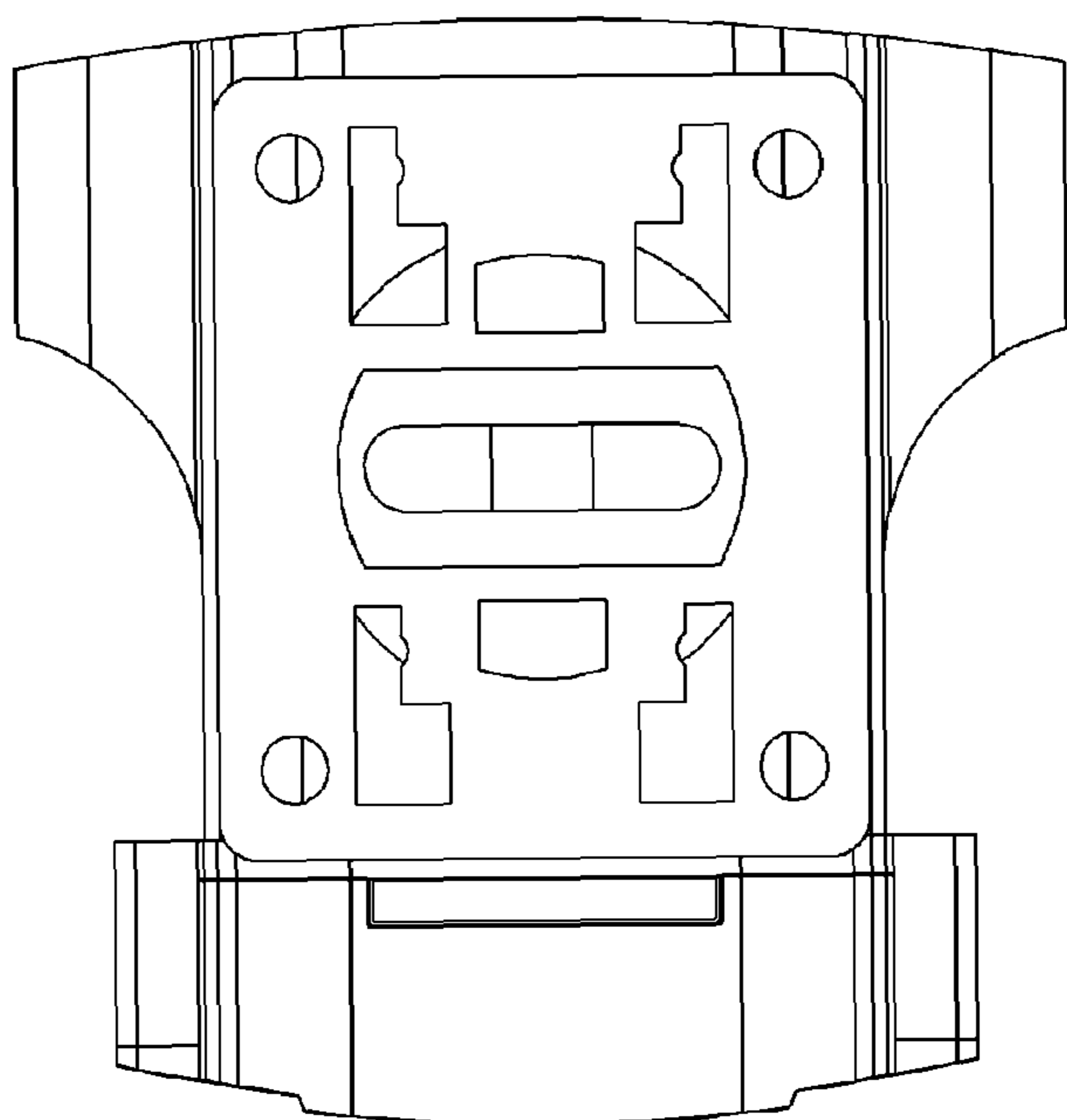


FIG. 4

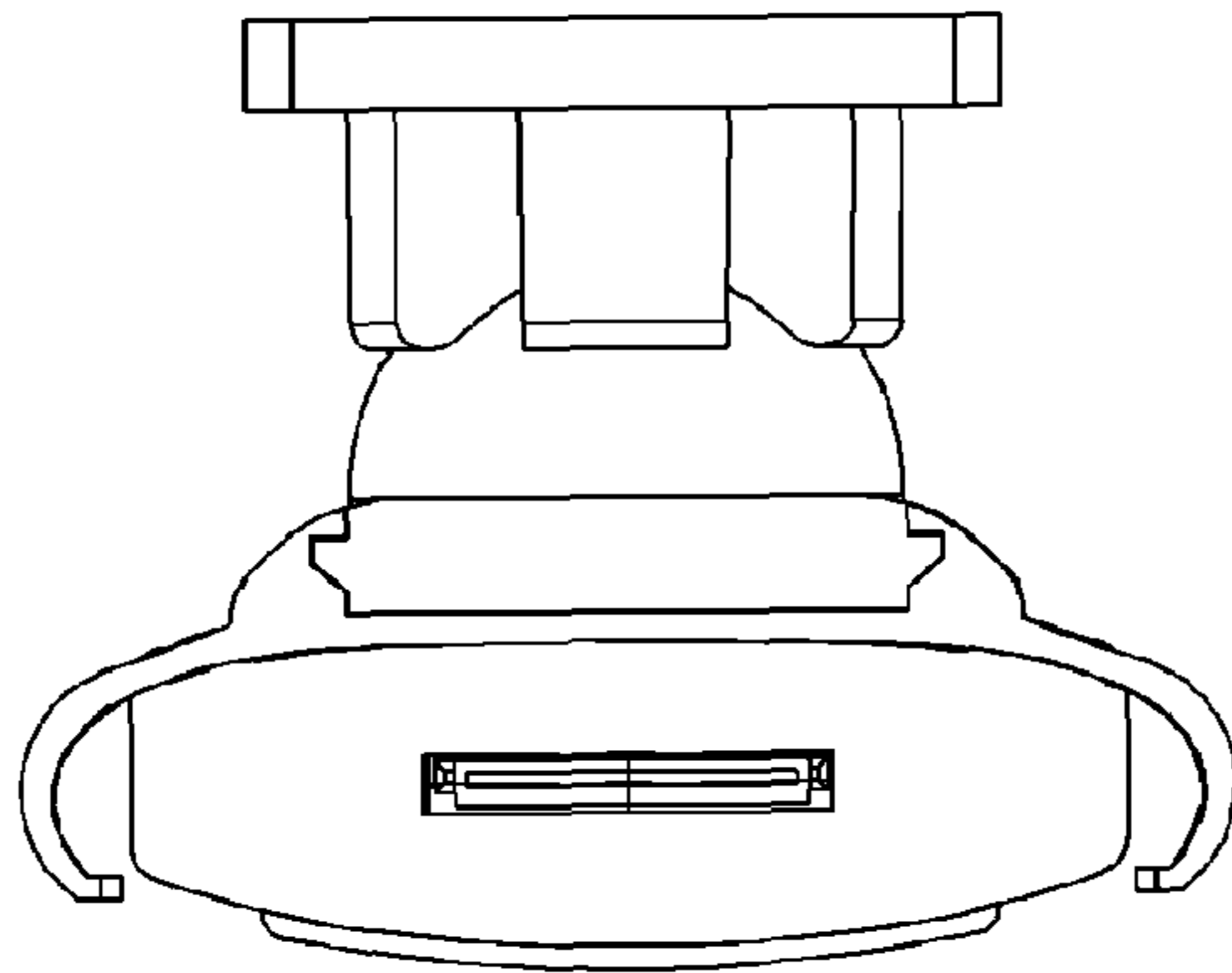


FIG. 5

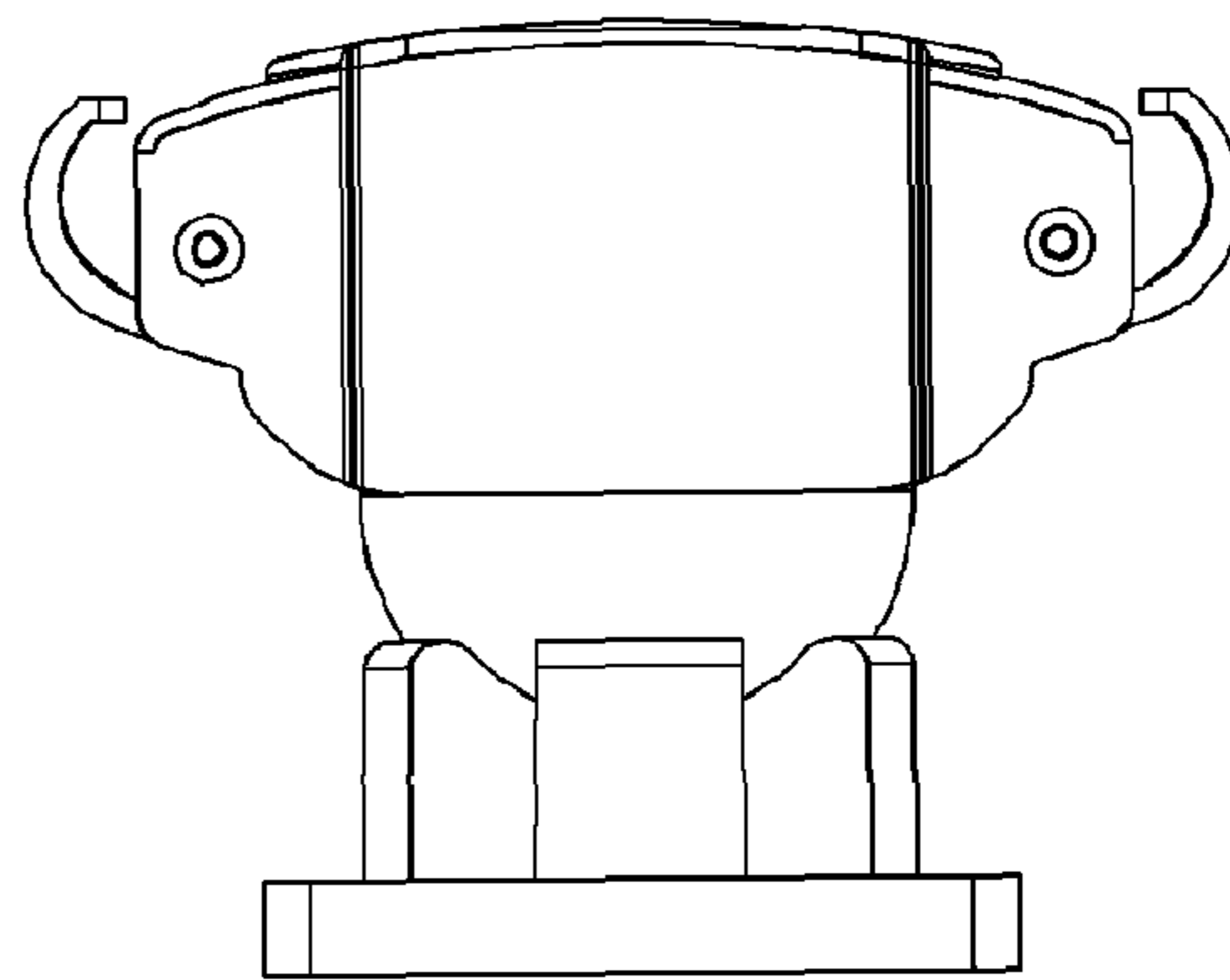


FIG. 6

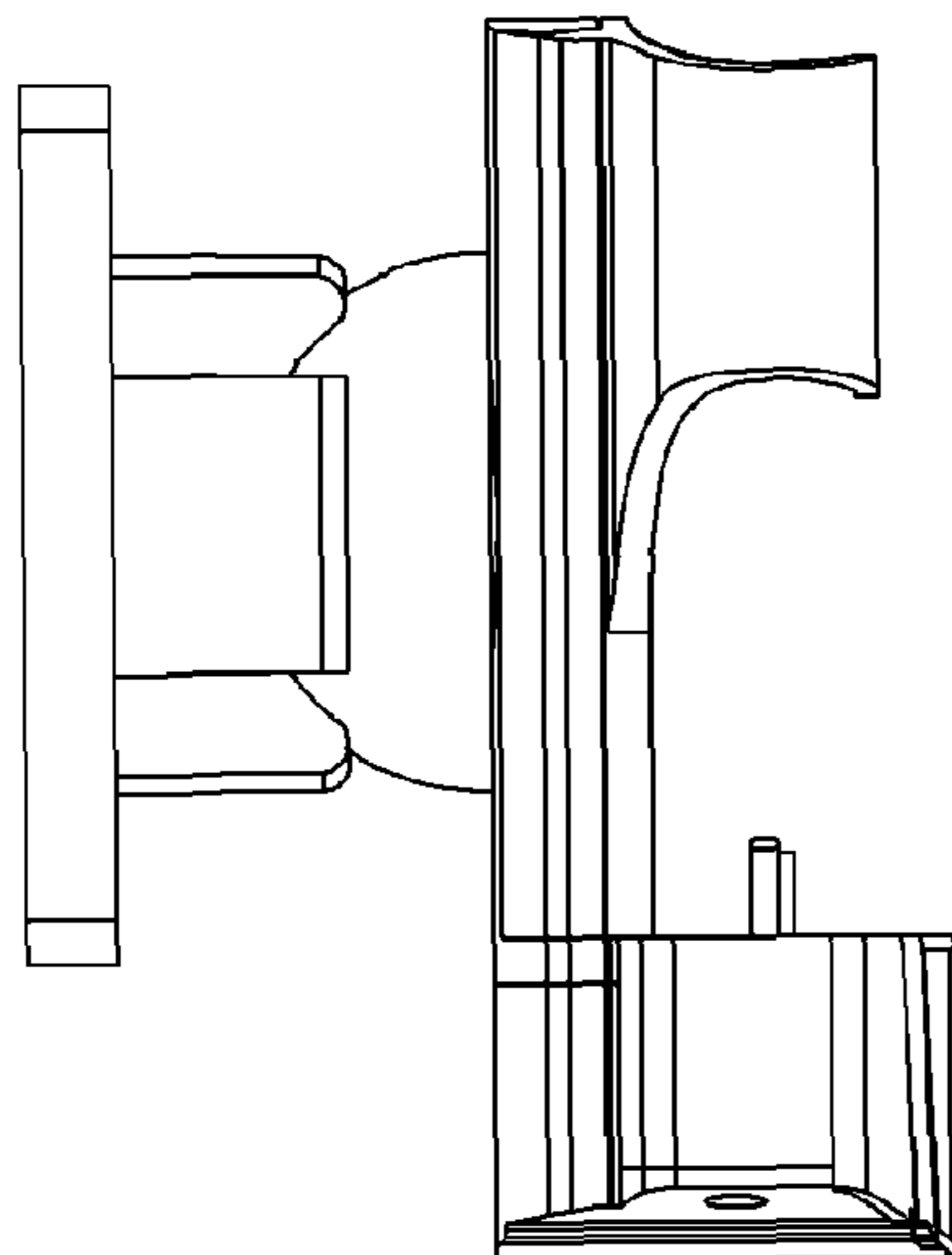


FIG. 7