



US00D621179S

(12) **United States Design Patent**  
**Biraghi**

(10) **Patent No.:** **US D621,179 S**

(45) **Date of Patent:** **\*\* Aug. 10, 2010**

(54) **CONTAINER**

D434,445 S \* 11/2000 Marone ..... D20/3  
D476,506 S \* 7/2003 Sneider ..... D6/450

(75) Inventor: **Alessandro Biraghi**, Lainate (IT)

\* cited by examiner

(73) Assignee: **Perfetti Van Melle S.p.A.**, Lainate (IT)

*Primary Examiner*—Philip S Hyder

(\*\*) Term: **14 Years**

*Assistant Examiner*—Sydney R Buffalow

(21) Appl. No.: **29/345,442**

(74) *Attorney, Agent, or Firm*—Young & Thompson

(22) Filed: **Oct. 15, 2009**

(57) **CLAIM**

(30) **Foreign Application Priority Data**

The ornamental design for a container, as shown.

Apr. 16, 2009 (EM) ..... 001122212-0001

**DESCRIPTION**

(51) **LOC (9) Cl.** ..... **06-04**

FIG. 1 is a top and side perspective view of a container showing my new design;

(52) **U.S. Cl.** ..... **D6/450**

FIG. 2 is a front elevational view thereof;

(58) **Field of Classification Search** ..... D6/449,  
D6/450, 461, 467, 455, 396; D20/7, 3, 4;  
222/78; D7/589, 590; 211/155, 240, 245,  
211/92, 128

FIG. 3 is a rear elevational view thereof;

See application file for complete search history.

FIG. 4 is a side elevational view thereof from the right of FIG. 2;

(56) **References Cited**

FIG. 5 is a side elevational view thereof from the left of FIG. 2;

**U.S. PATENT DOCUMENTS**

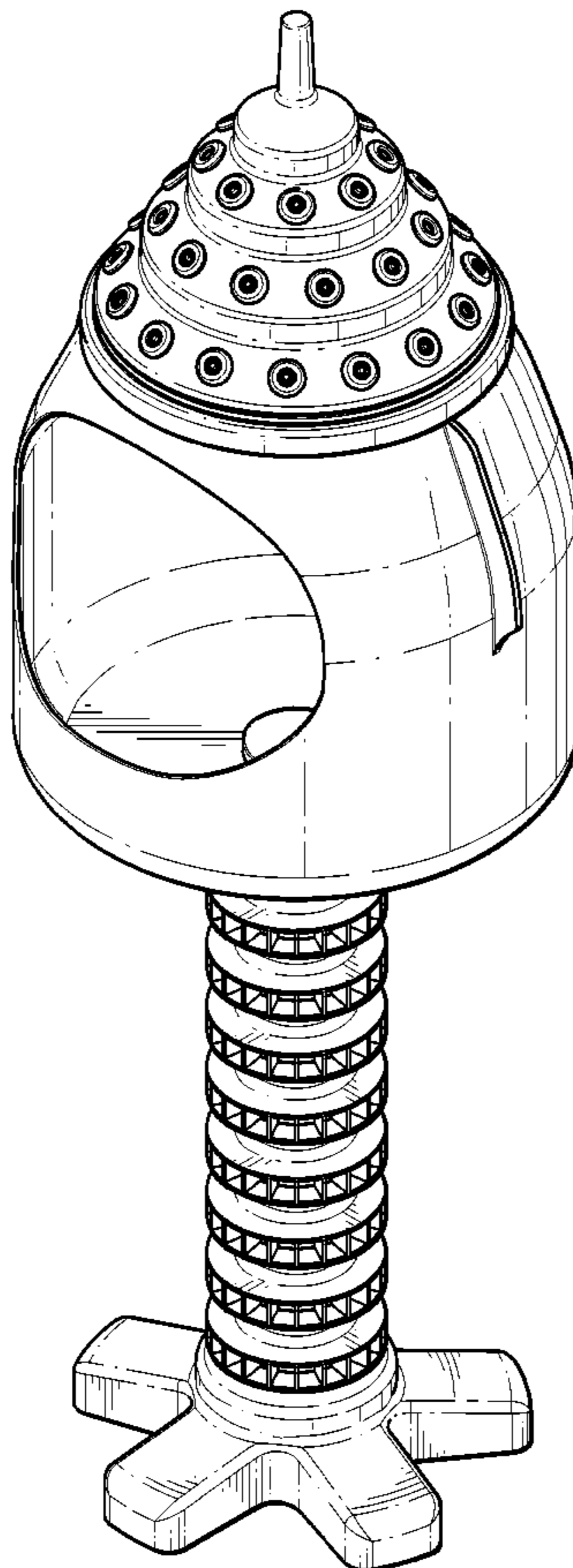
D375,023 S \* 10/1996 Cohen et al. .... D7/641

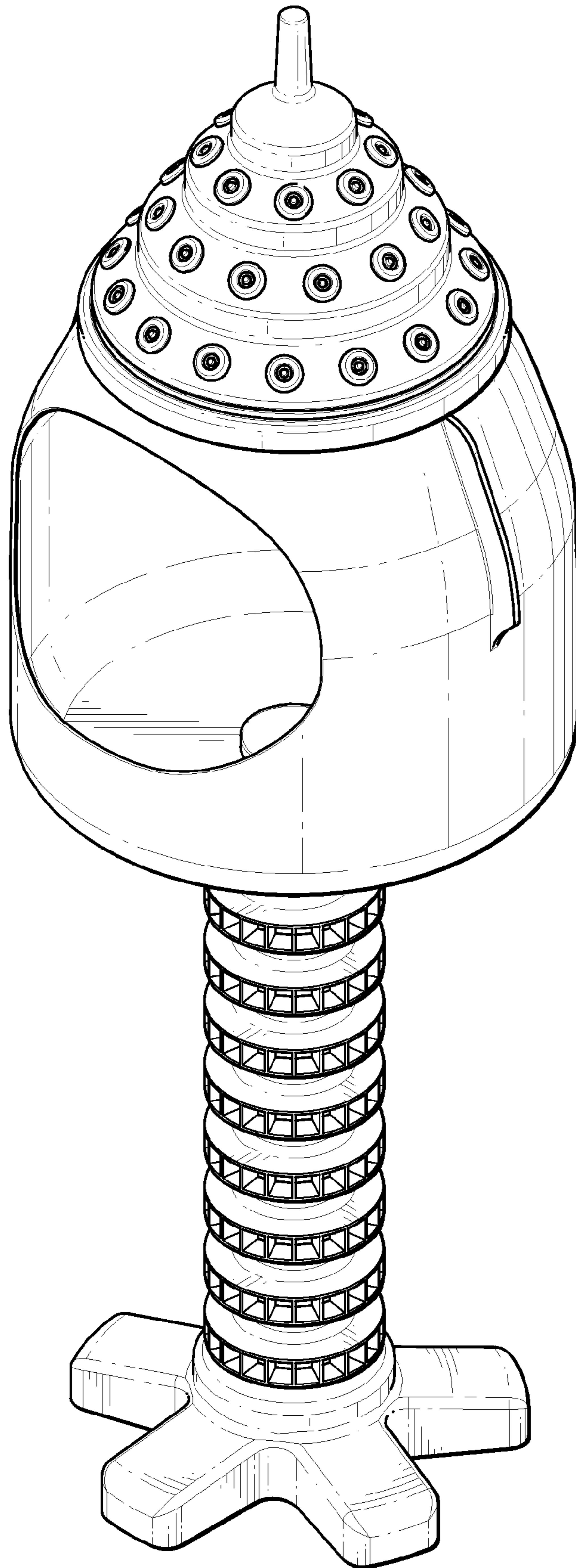
FIG. 6 is a top plan view thereof; and,

D399,878 S \* 10/1998 Lin ..... D20/7

FIG. 7 is a bottom plan view thereof.

**1 Claim, 6 Drawing Sheets**





*FIG. 1*

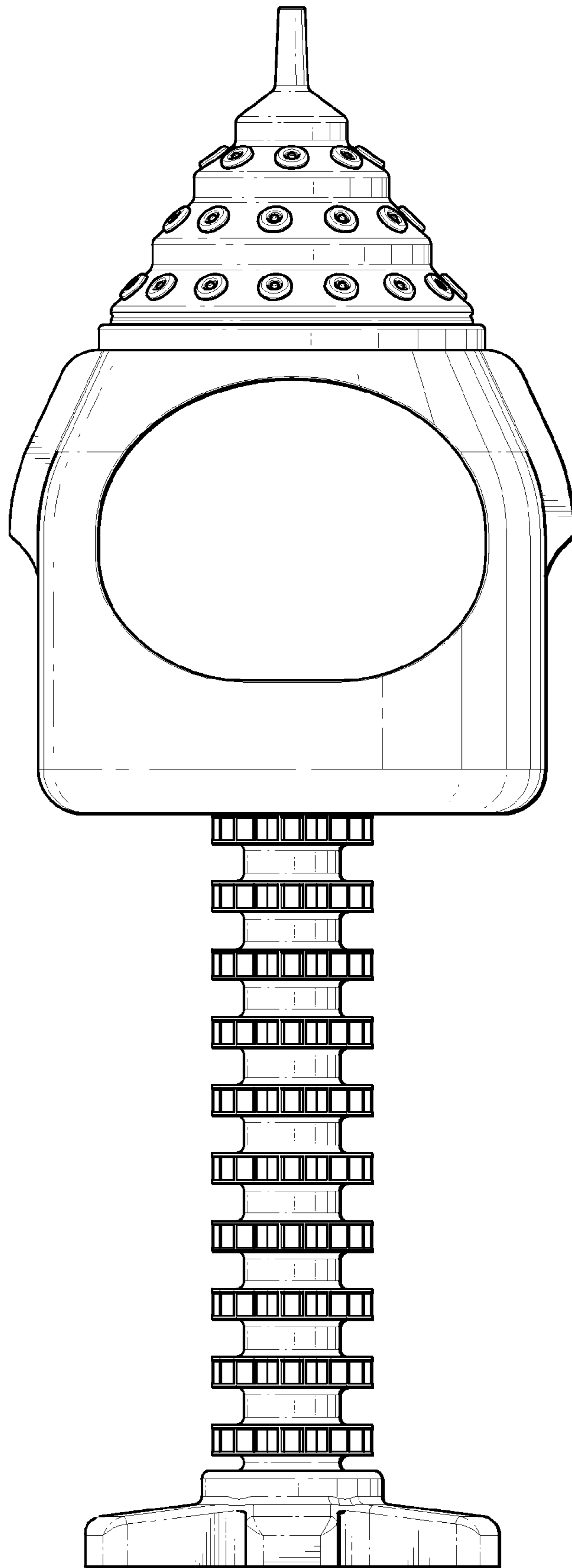
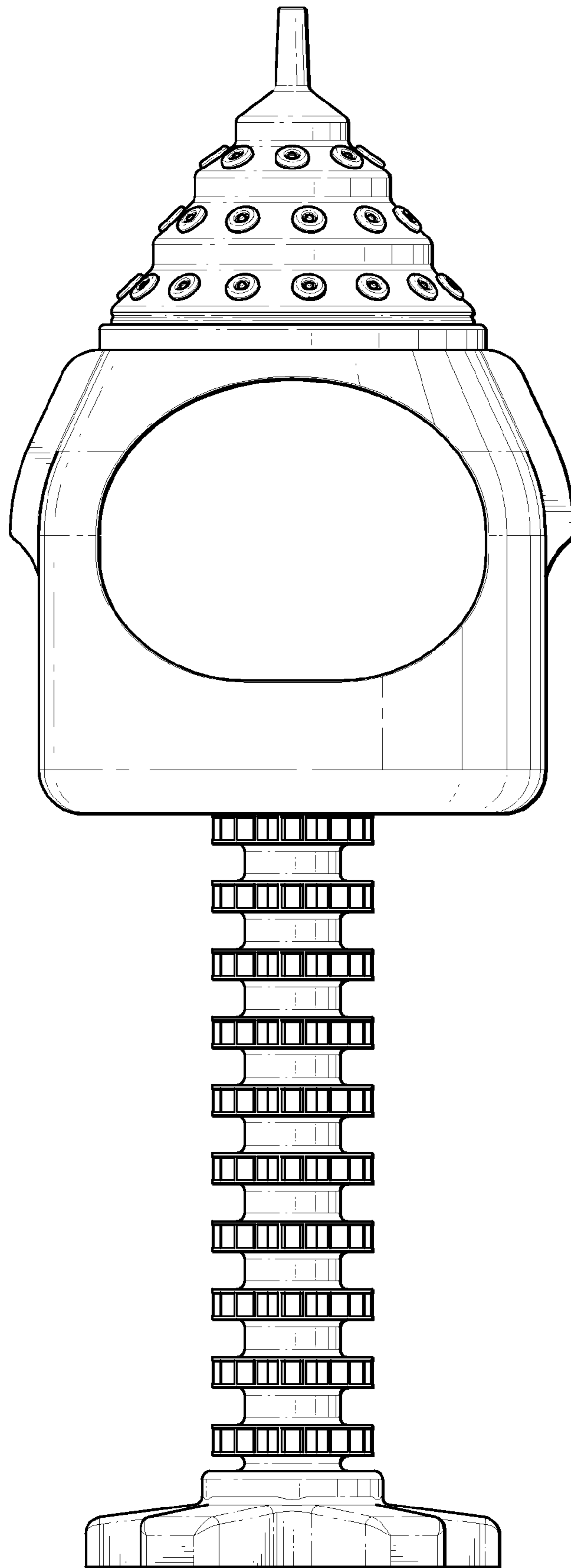


FIG. 2



*FIG. 3*

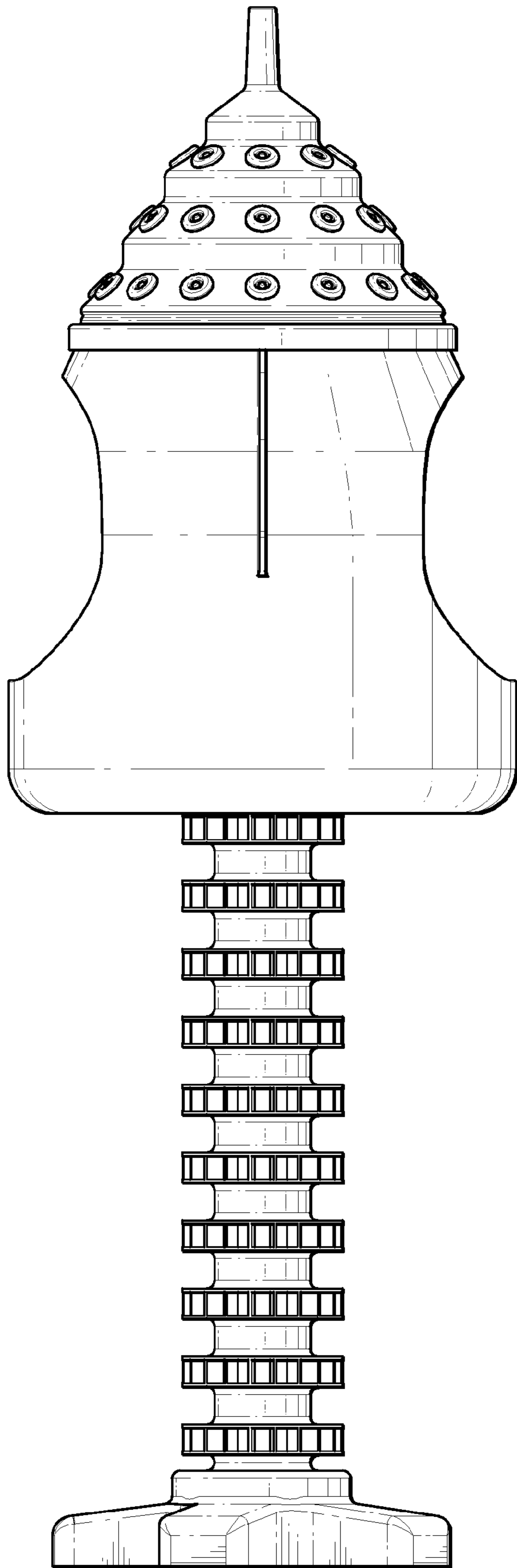
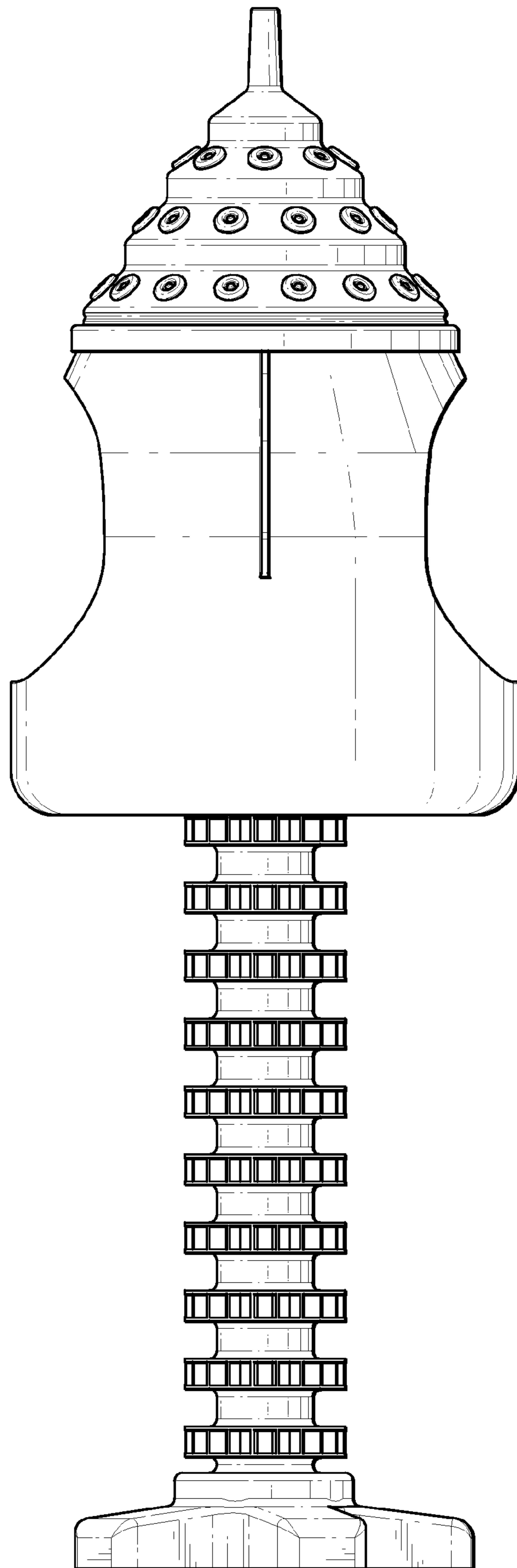
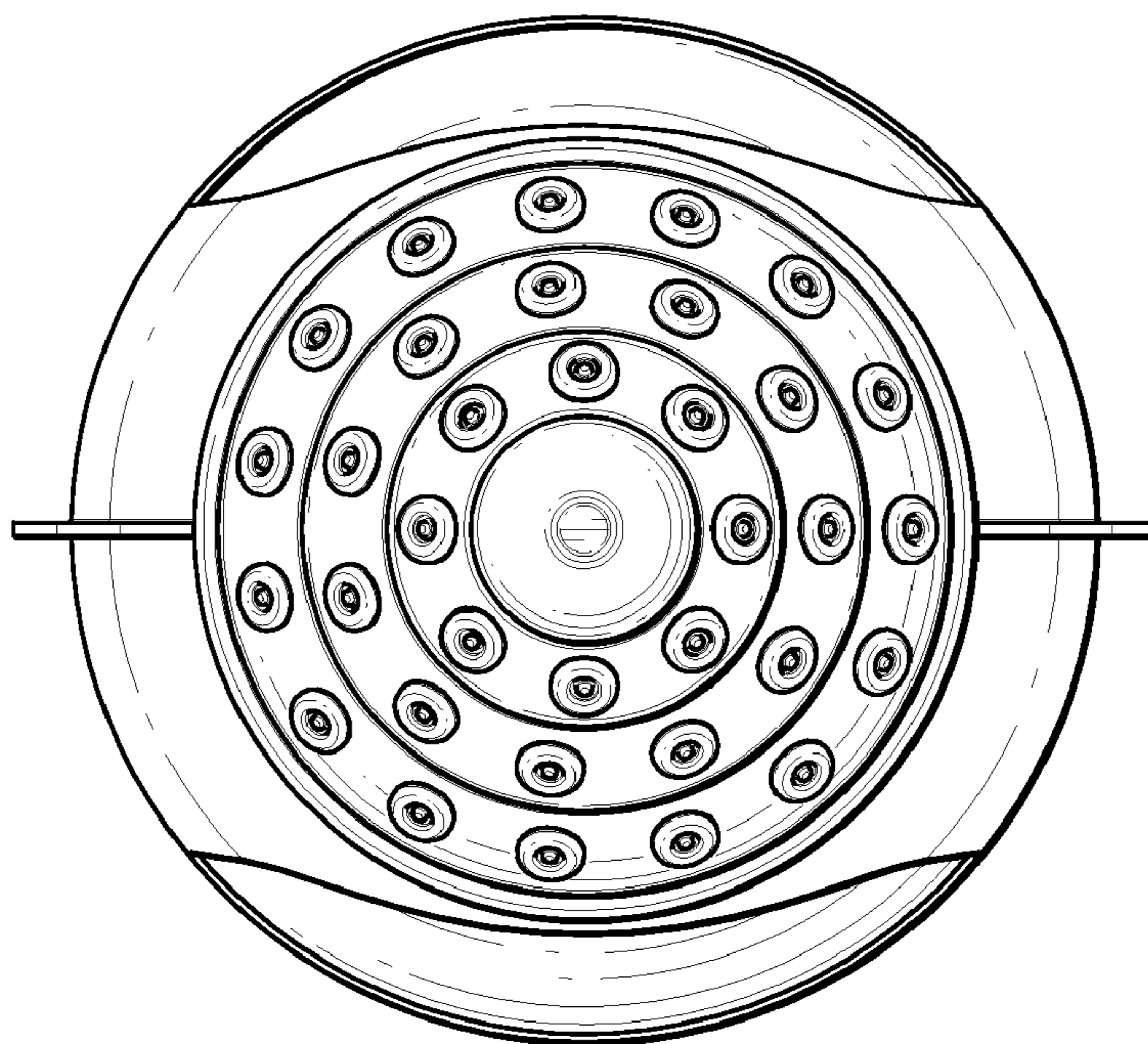


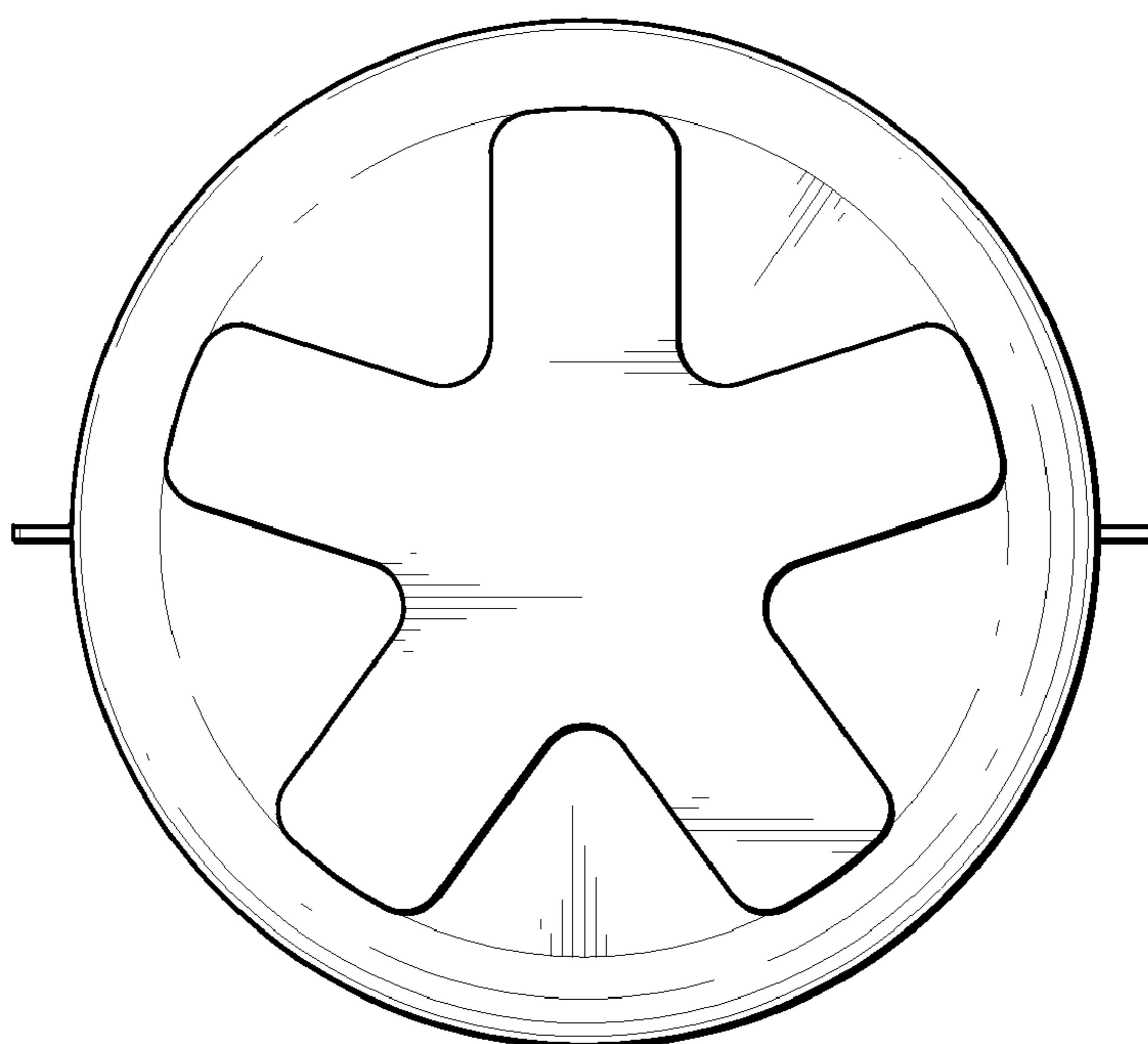
FIG. 4



*FIG. 5*



*FIG. 6*



*FIG. 7*