



US00D621177S

(12) **United States Design Patent**
LeTourneau

(10) **Patent No.:** **US D621,177 S**
(45) **Date of Patent:** **** Aug. 10, 2010**

(54) **VANITY**

D610,368 S * 2/2010 LeTourneau D6/432

(75) Inventor: **Alexander V. LeTourneau**, Sheboygan,
WI (US)

(73) Assignee: **Kohler Co.**, Kohler, WI (US)

(**) Term: **14 Years**

(21) Appl. No.: **29/355,167**

(22) Filed: **Feb. 3, 2010**

Related U.S. Application Data

(62) Division of application No. 29/279,760, filed on May
7, 2007, now Pat. No. Des. 610,368.

(51) **LOC (9) Cl.** **06-04**

(52) **U.S. Cl.** **D6/432**

(58) **Field of Classification Search** D6/397,
D6/425-426, 429, 432-448, 470, 474, 477-480,
D6/484, 492, 495, 561; D23/286, 308; D27/188;
4/643; 312/108, 114, 117, 204, 224, 227,
312/237, 297, 308, 330.1, 334.36, 348.3
See application file for complete search history.

(56) **References Cited**

U.S. PATENT DOCUMENTS

- D524,078 S * 7/2006 Bruce D6/446
- D525,050 S * 7/2006 Bruce D6/446
- D532,626 S * 11/2006 McDiarmid et al. D6/446
- D533,925 S * 12/2006 Mayer D23/286
- D536,770 S * 2/2007 Mayer D23/286
- D549,491 S 8/2007 Brimacombe et al.
- D579,233 S 10/2008 LeTourneau
- D588,833 S * 3/2009 LeTourneau D6/432
- D591,976 S * 5/2009 Mayer et al. D6/446
- D609,028 S * 2/2010 LeTourneau D6/432

OTHER PUBLICATIONS

800Saving.com. FW-2144 Bathroom Vanity with White Marble countertop. 800Saving.com online catalog. Copyright 2004-2007 800saving.com.

Baker Furniture. "1532 Sideboard". Baker Catalog, p. 9.

Empire. "Empire 48 inch Dark Malibu 100 Collection Bathroom Vanity". Empire online catalog. Copyright 1997-2007 Mercantila, Inc.

Homecraft—Fine Home Furnishings Division—B. Altman & Co. "Arlington Vanestal". Homecraft.com online catalog. Copyright 2006 B. Altman & Co.

Vanity Flair. "Vanity Flair Deja Vanity". Model No. 1030-Accent. HomeAnnex.com online catalog. Copyright 2003-2006 HomeAnnex.com.

* cited by examiner

Primary Examiner—Caron Veynar

Assistant Examiner—Ricky Pham

(74) *Attorney, Agent, or Firm*—Quarles & Brady LLP

(57) **CLAIM**

The ornamental design for a vanity, as shown and described.

DESCRIPTION

FIG. 1 is a right, top, front perspective view of a vanity according to my new design;

FIG. 2 is a front elevational view thereof;

FIG. 3 is a right side elevational view thereof, the left side elevational view thereof being a mirror image of the right side shown;

FIG. 4 is a top plan view thereof;

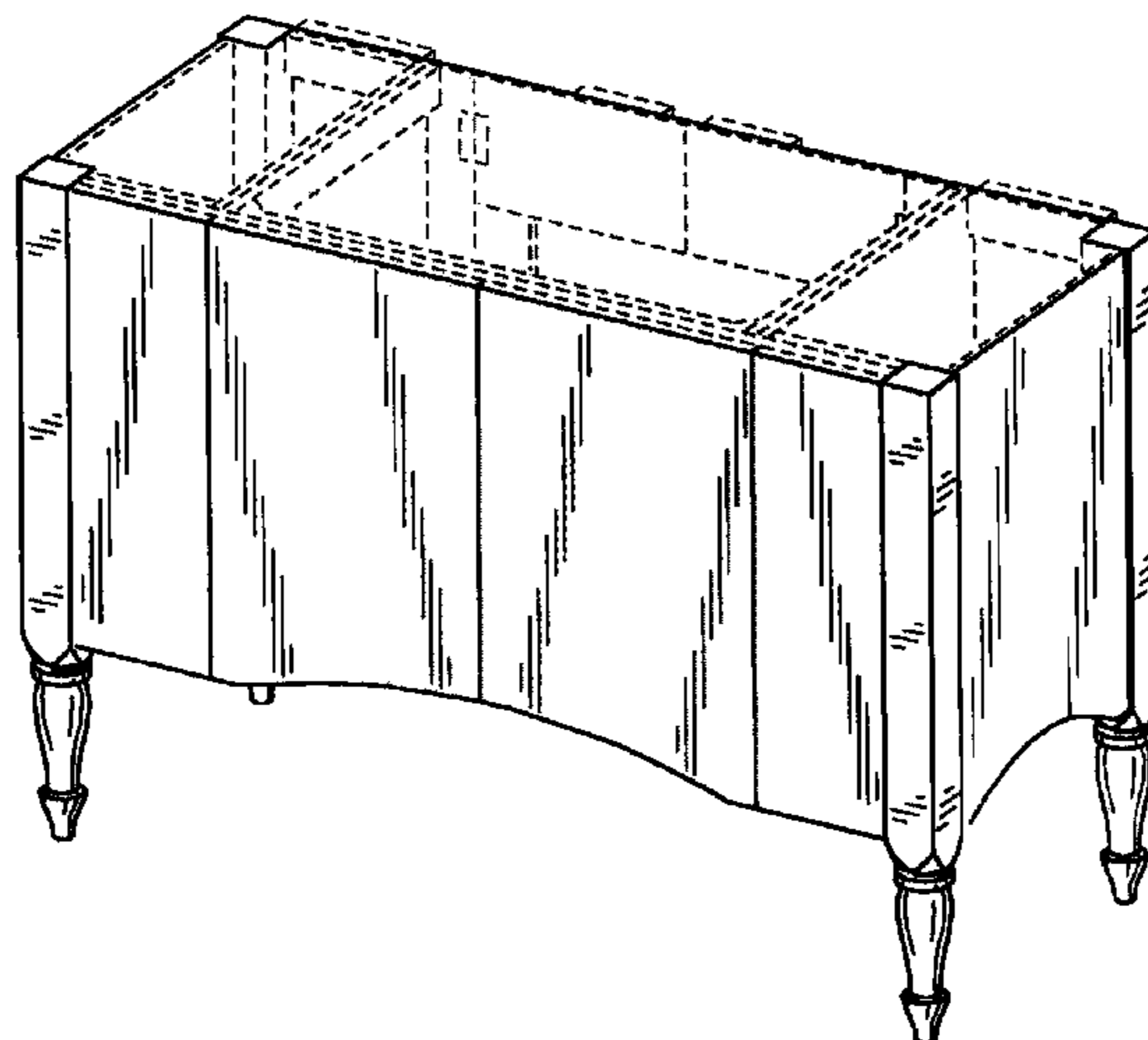
FIG. 5 is a rear elevational view thereof; and,

FIG. 6 is a bottom plan view thereof.

The broken line representations in the figures for the purpose of illustration only, and form no part of the claimed design.

In a preferred embodiment, the nature of this product is a vanity such as can be used to support a lavatory.

1 Claim, 3 Drawing Sheets



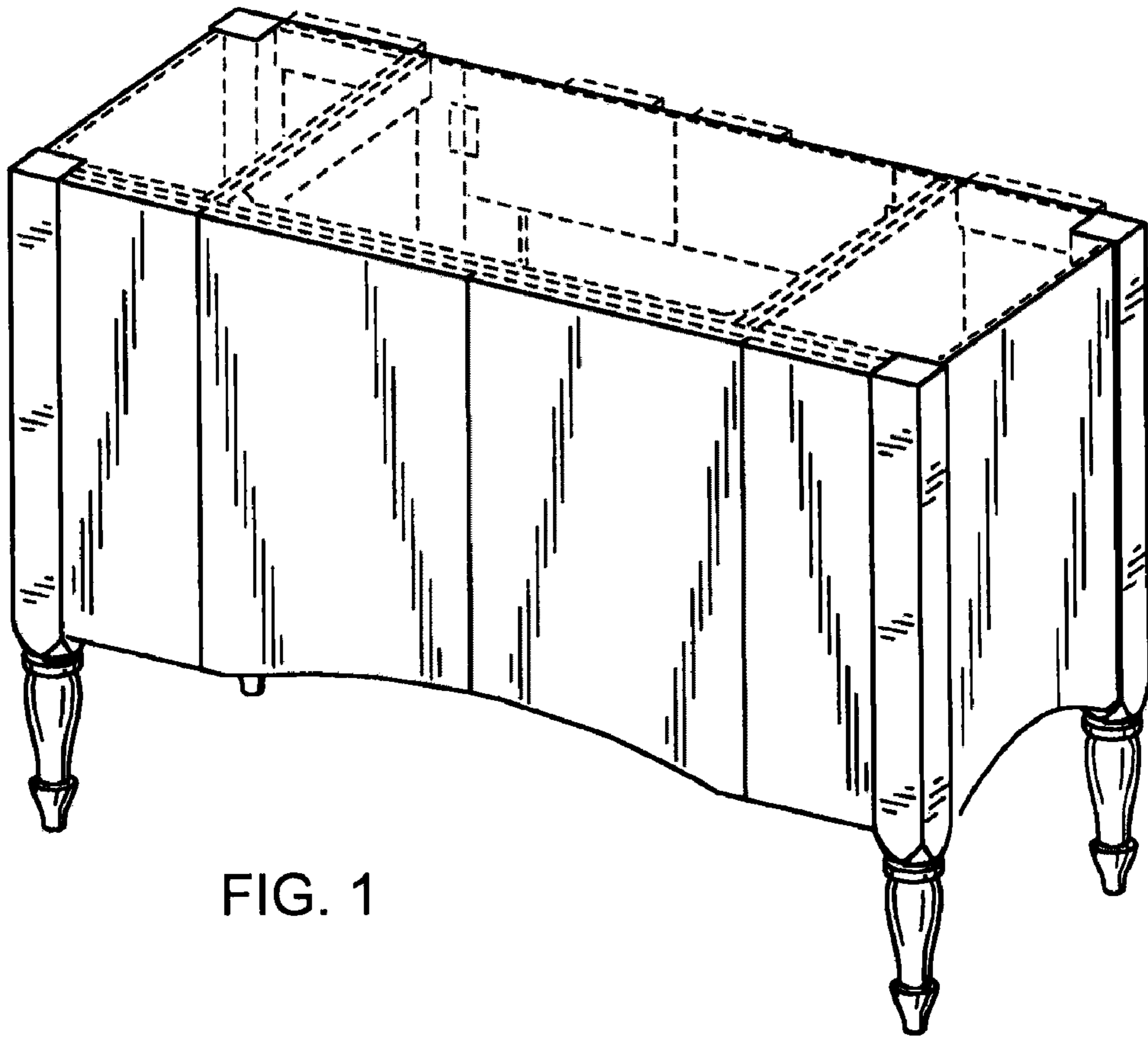


FIG. 1

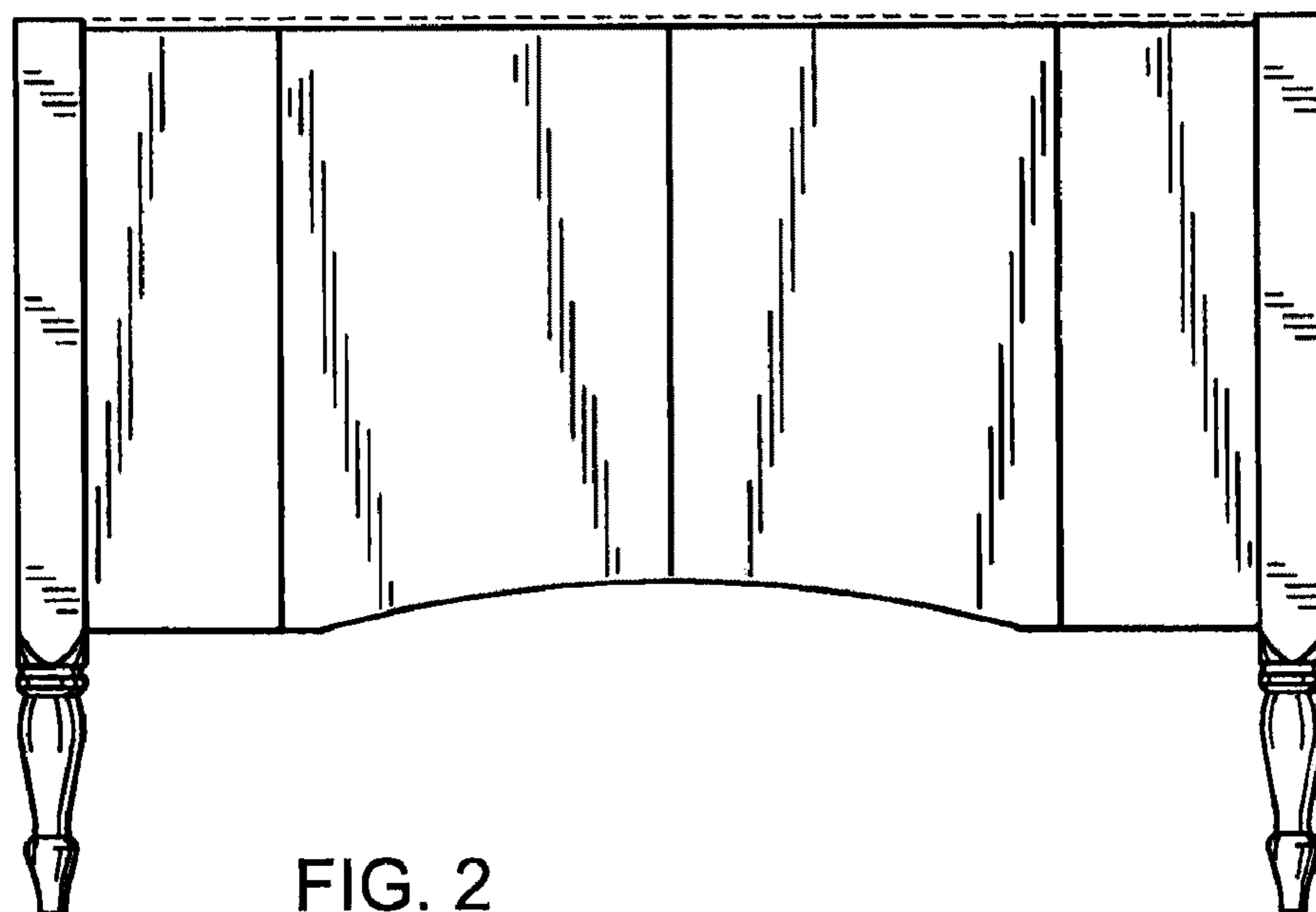


FIG. 2

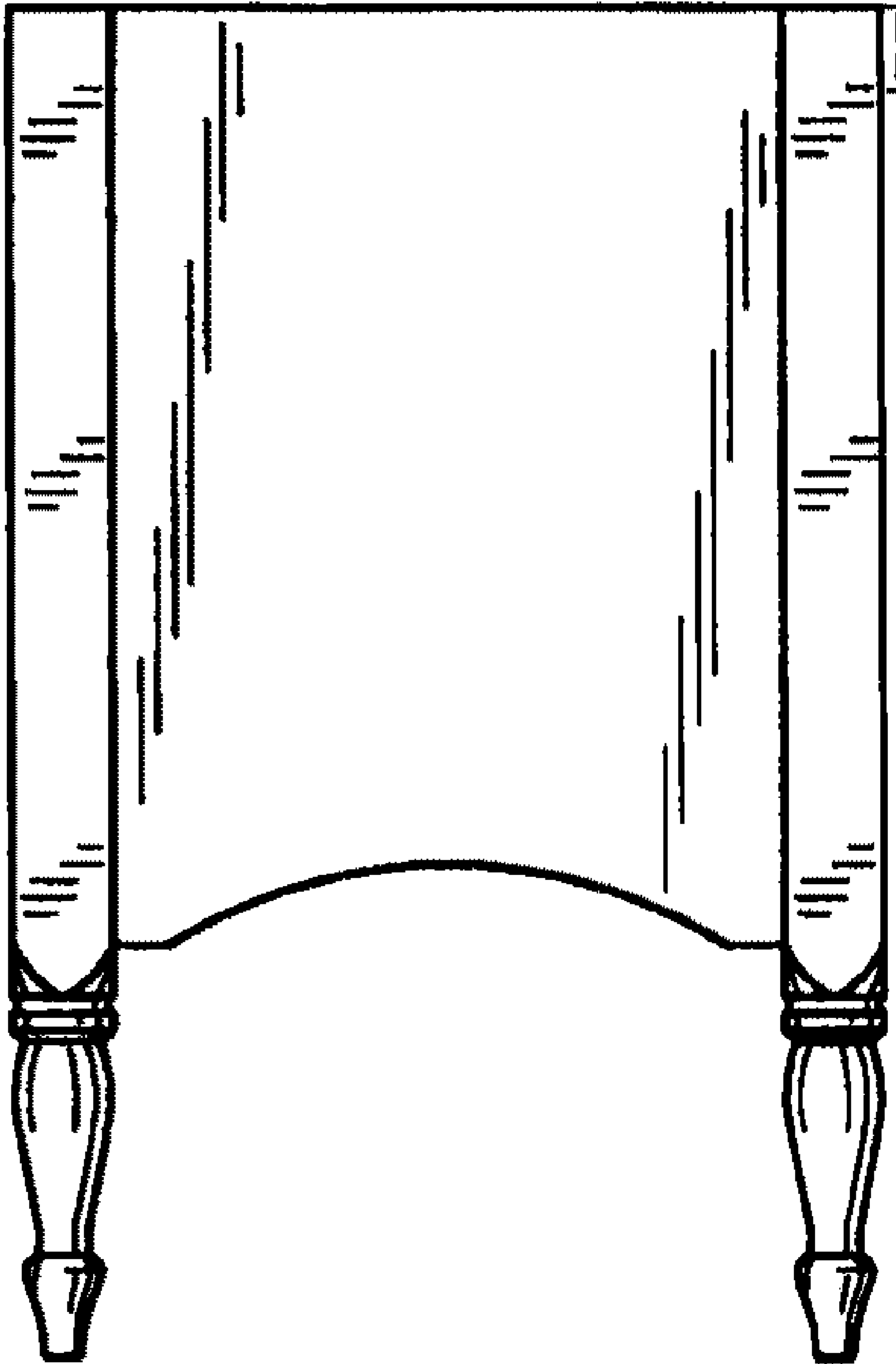


FIG. 3

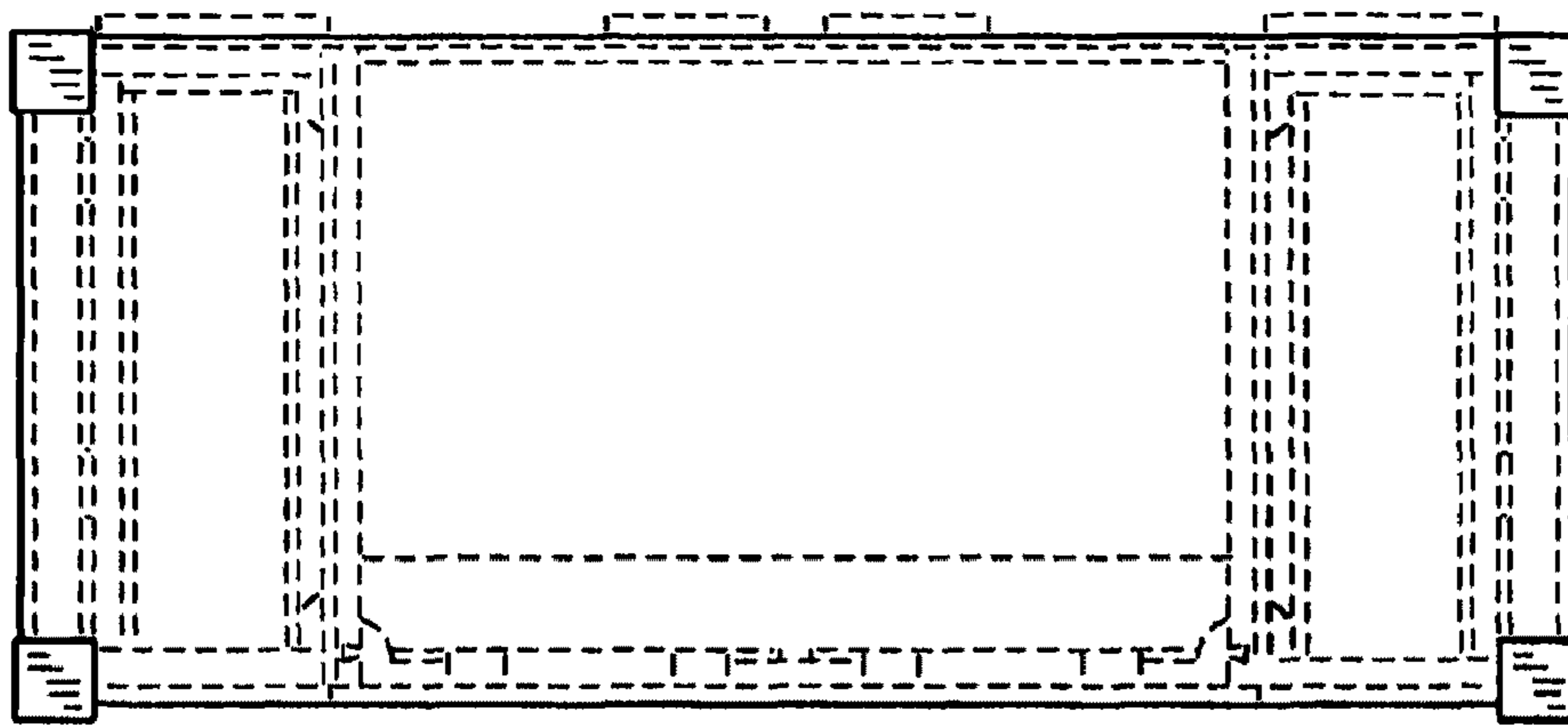


FIG. 4

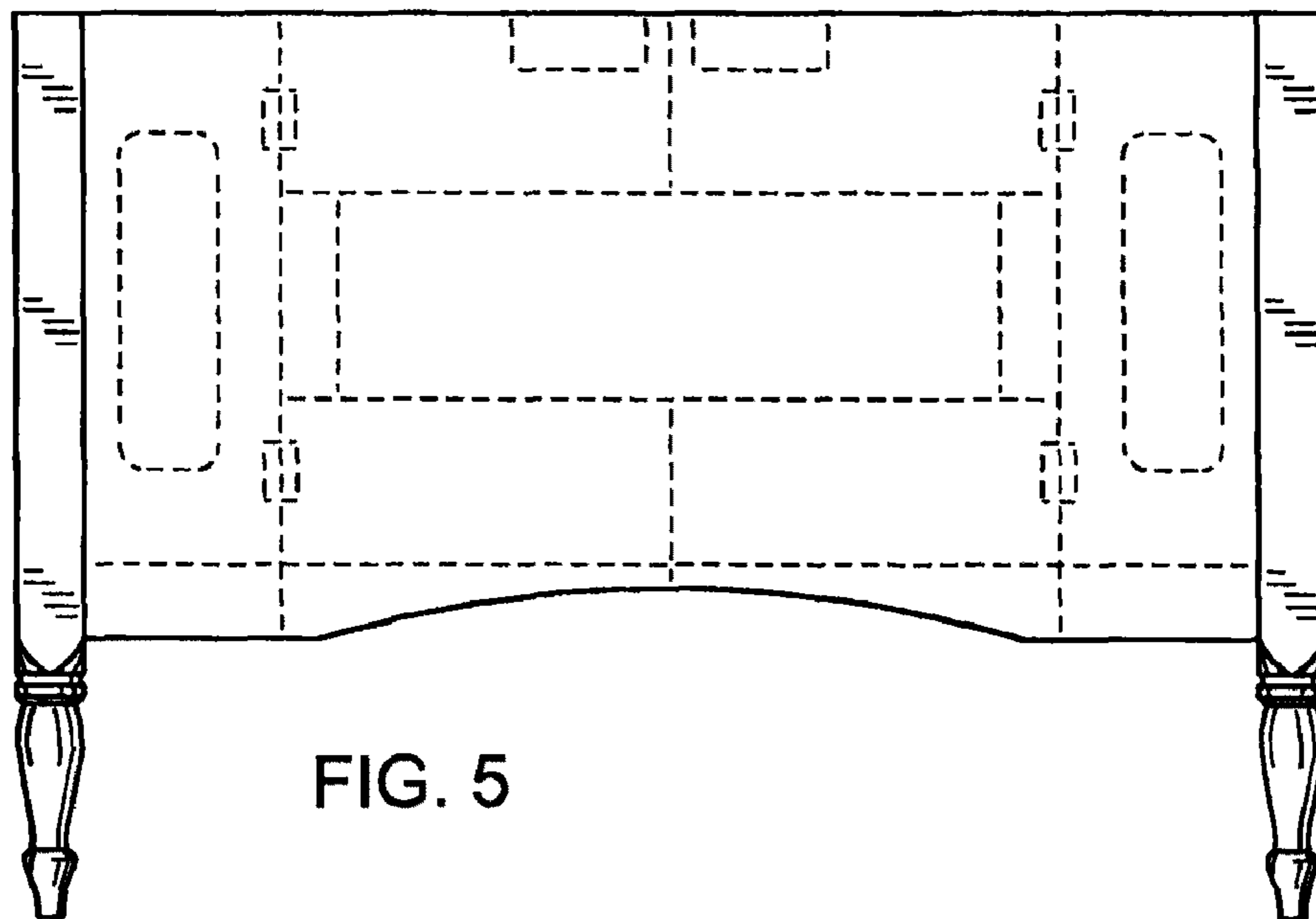


FIG. 5

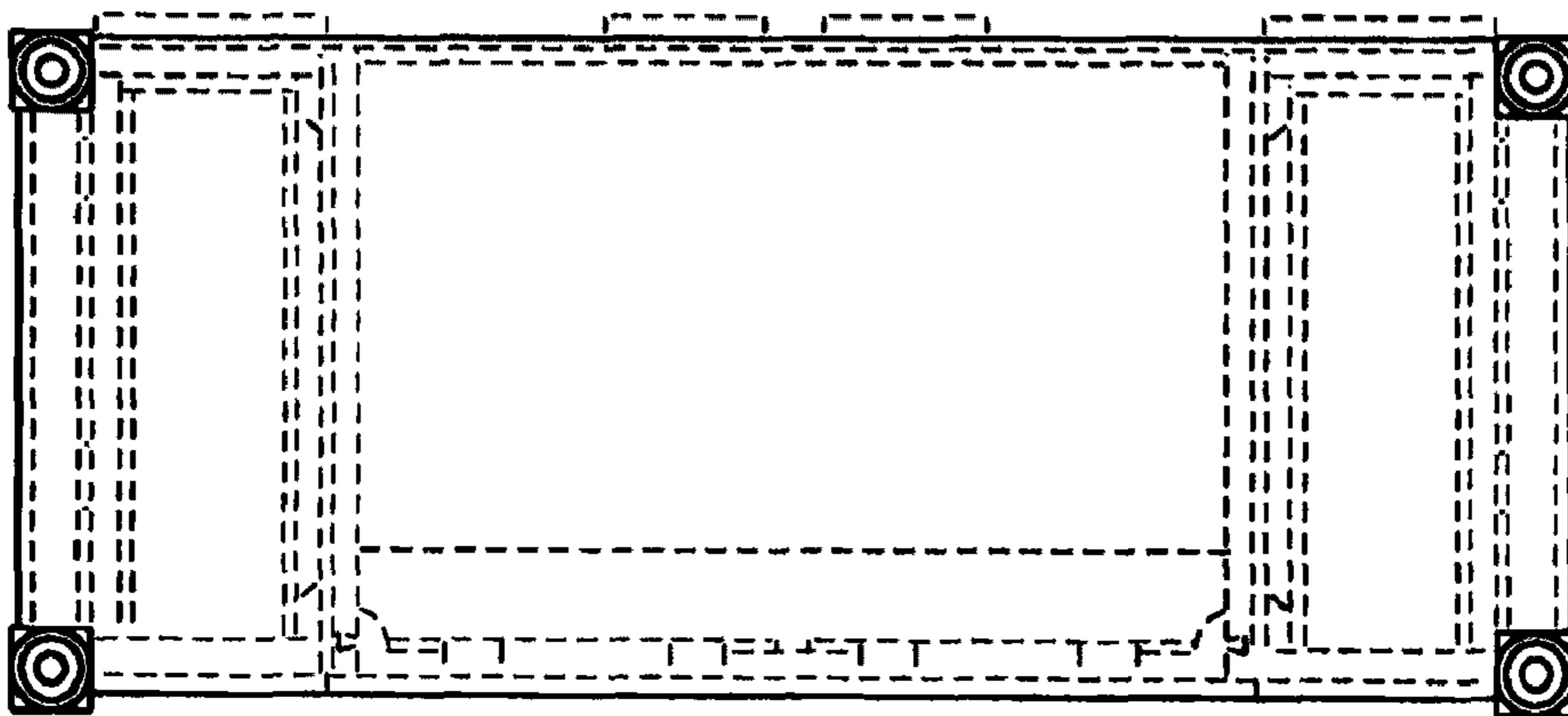


FIG. 6