



US00D621176S

(12) **United States Design Patent**
Glass et al.

(10) **Patent No.:** **US D621,176 S**

(45) **Date of Patent:** **** *Aug. 10, 2010**

(54) **DESK WITH FLOATING TOP**

(75) Inventors: **Peter Glass**, Arroyo Grande, CA (US);
Robert Mills, Torrance, CA (US)

(73) Assignee: **Virco Mfg. Corporation**, Torrance, CA
(US)

(*) Notice: This patent is subject to a terminal disclaimer.

(**) Term: **14 Years**

(21) Appl. No.: **29/343,485**

(22) Filed: **Sep. 14, 2009**

(51) **LOC (9) Cl.** **06-04**

(52) **U.S. Cl.** **D6/422**

(58) **Field of Classification Search** D6/422-428,
D6/491, 509, 511; 312/194-196, 239, 279;
108/50.01, 50.02

See application file for complete search history.

(56) **References Cited**

U.S. PATENT DOCUMENTS

D102,053 S *	11/1936	Jones	D6/422
D141,353 S *	5/1945	Brandenburger	D6/422
D167,189 S *	7/1952	Blazey	D6/422
D169,320 S *	4/1953	Knoll	D6/422
D173,835 S	1/1955	Chapman et al.		
D203,195 S *	12/1965	Hughes	D6/428
D207,712 S *	5/1967	Sullivan	D6/422
D277,152 S *	1/1985	Hannah	D6/423
D304,268 S *	10/1989	Bartlett	D6/428
5,088,669 A	2/1992	Zinnbauer		

5,242,141 A	9/1993	Chester		
D362,573 S *	9/1995	Finlayson et al.	D6/511
D450,951 S	11/2001	Sikora		
D587,924 S *	3/2009	Woods	D6/422

* cited by examiner

Primary Examiner—Janice E Seeger

(74) *Attorney, Agent, or Firm*—Denton L. Anderson; Robert M. Hupe; Sheldon Mak Rose & Anderson PC

(57) **CLAIM**

The ornamental design for a desk with floating top, as shown and described.

DESCRIPTION

FIG. 1 is a perspective view of a desk with floating top, showing our new design, the broken lines are for environmental purposes only and form no part of the claimed design;

FIG. 2 is a front view of the desk with floating top illustrated in FIG. 1;

FIG. 3 is a top view of the desk with floating top illustrated in FIG. 1;

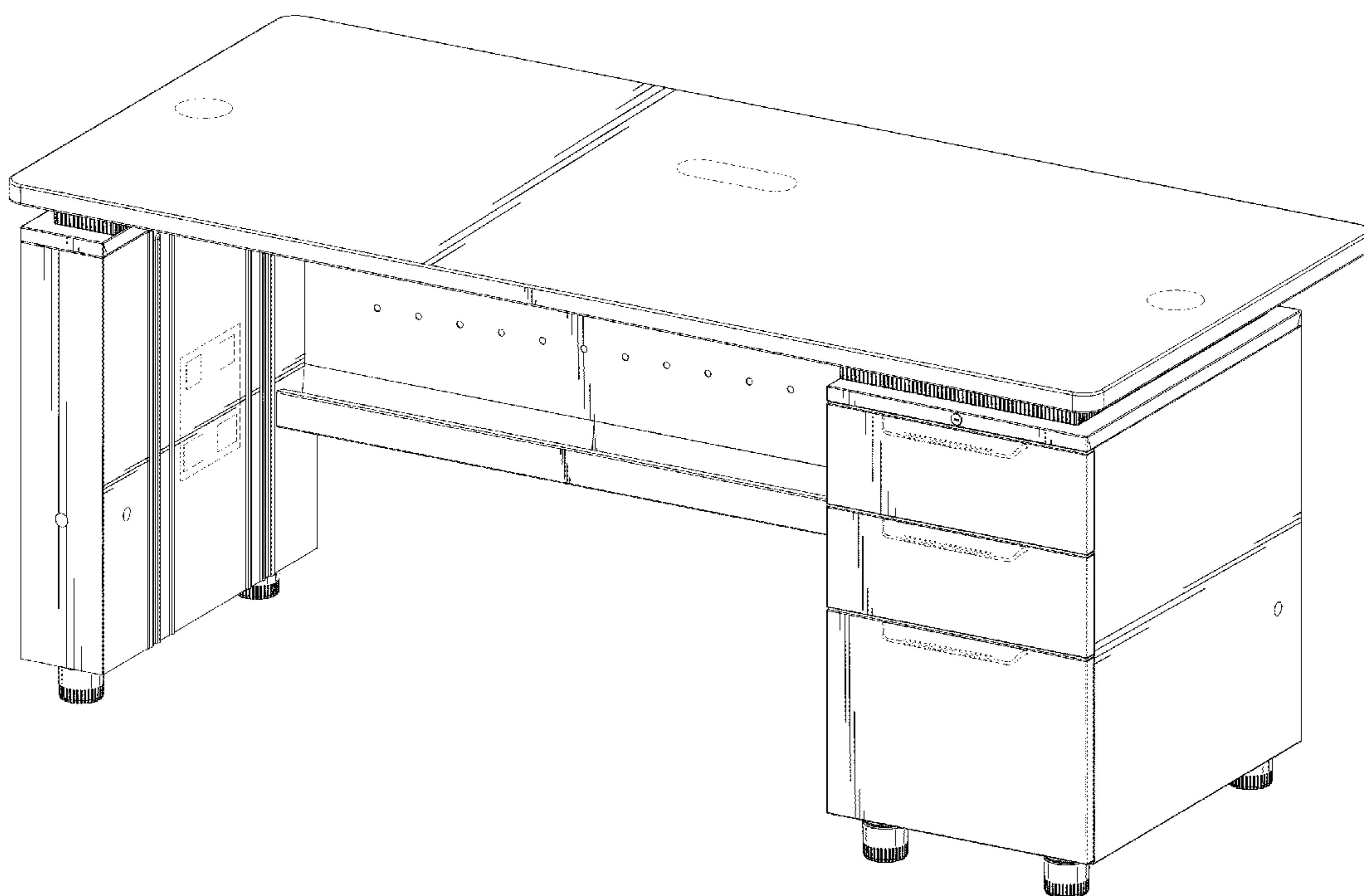
FIG. 4 is a first side view of the desk with floating top illustrated in FIG. 1;

FIG. 5 is a second side view of the desk with floating top illustrated in FIG. 1;

FIG. 6 is a back view of the desk with floating top illustrated in FIG. 1; and,

FIG. 7 is a bottom view of the desk with floating top illustrated in FIG. 1.

1 Claim, 6 Drawing Sheets



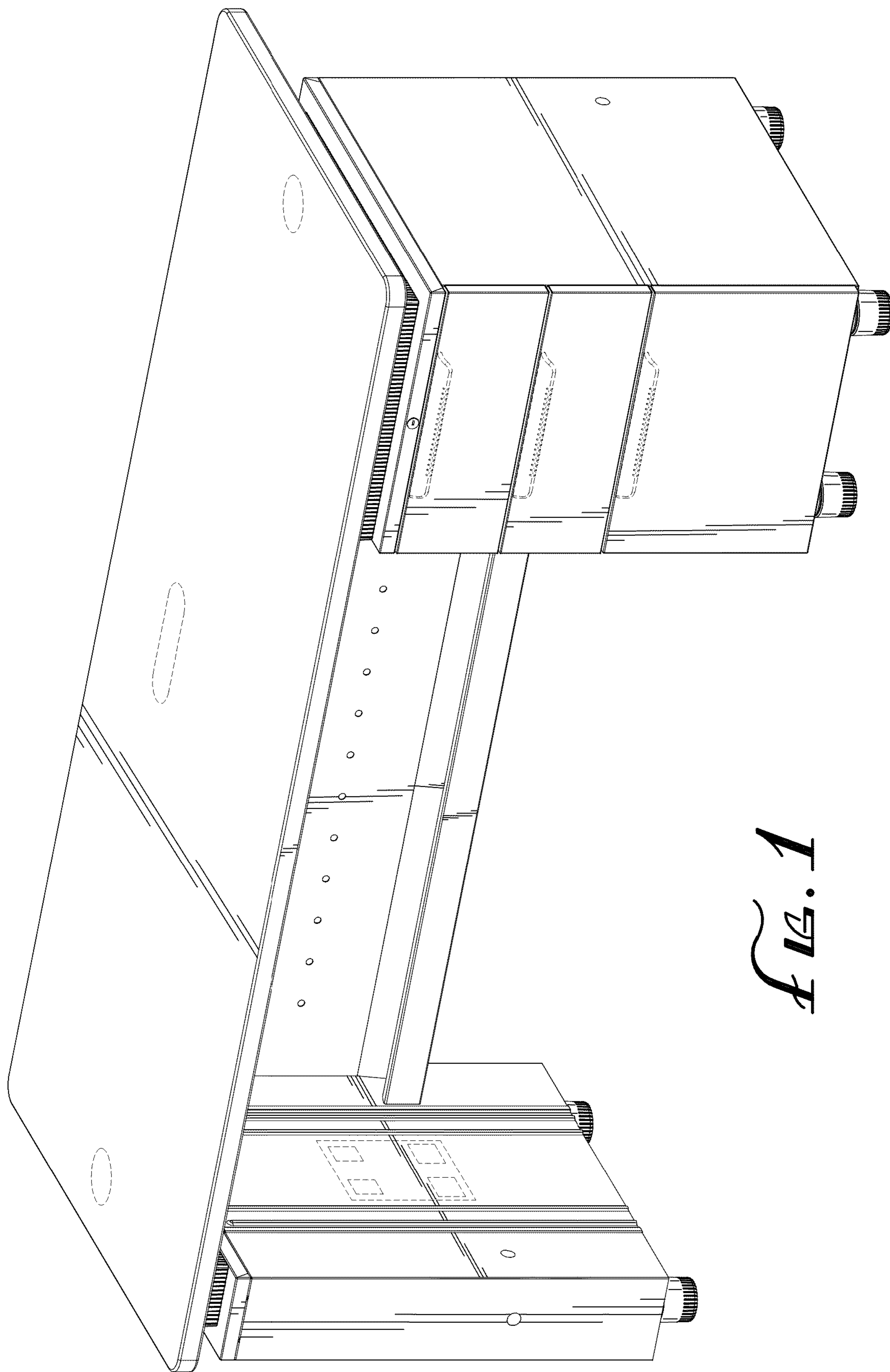


FIG. 1

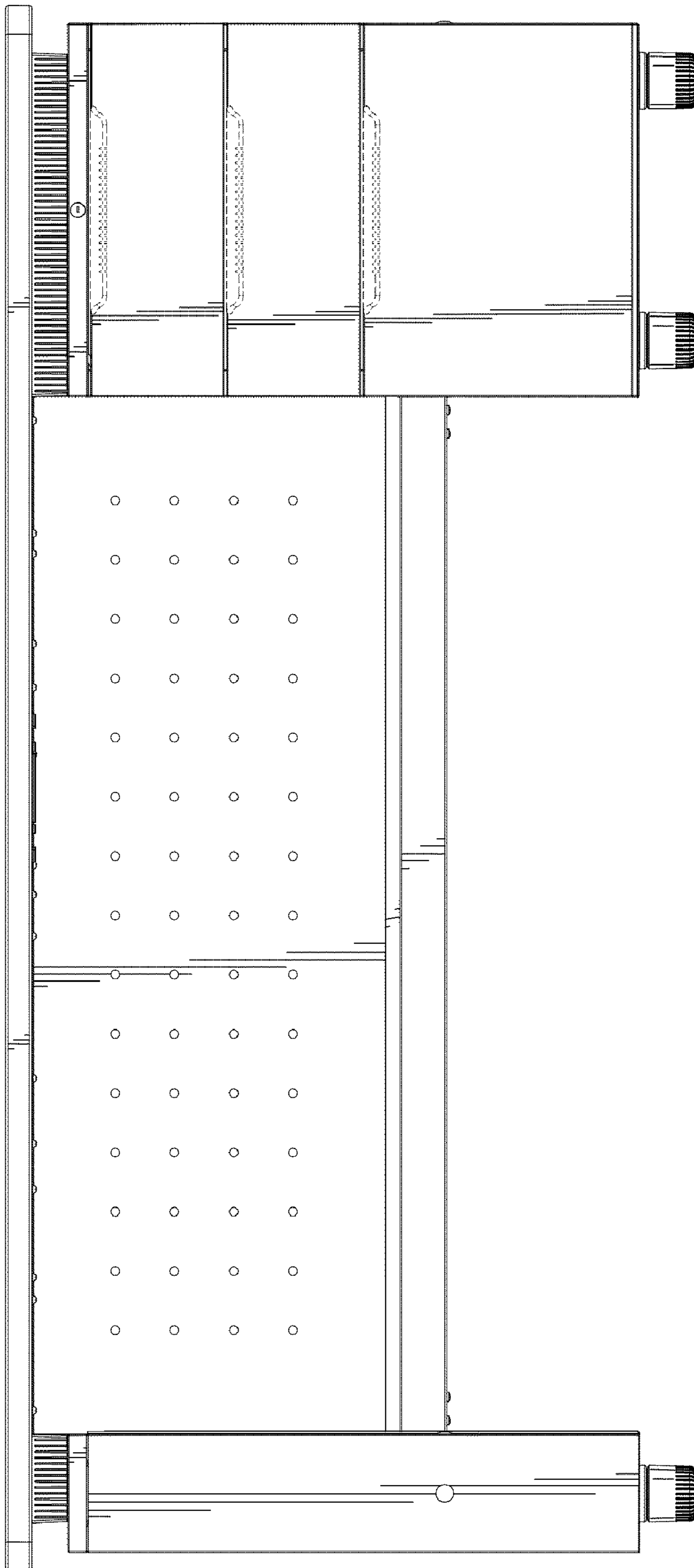


FIG. 2

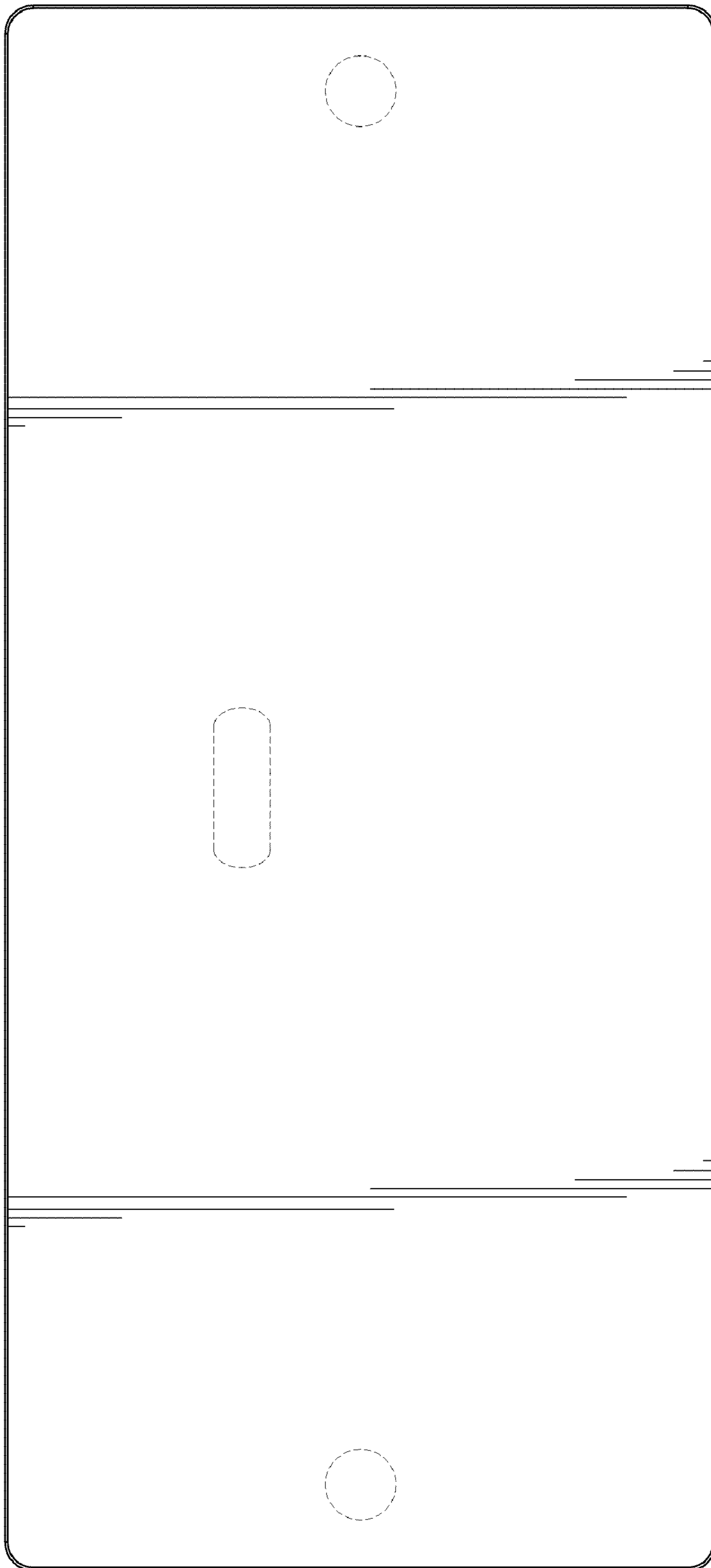


FIG. 3

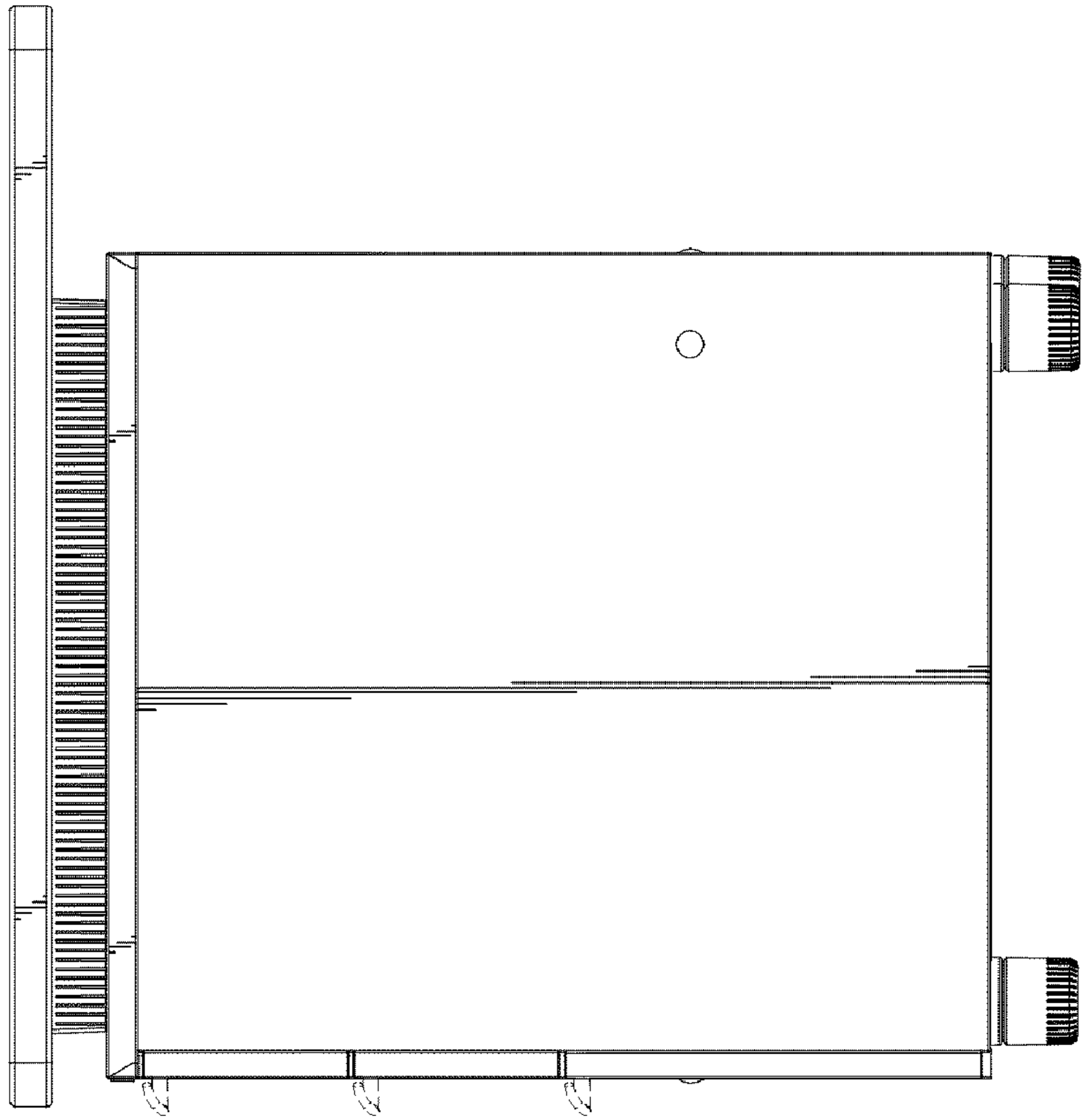


FIG. 5

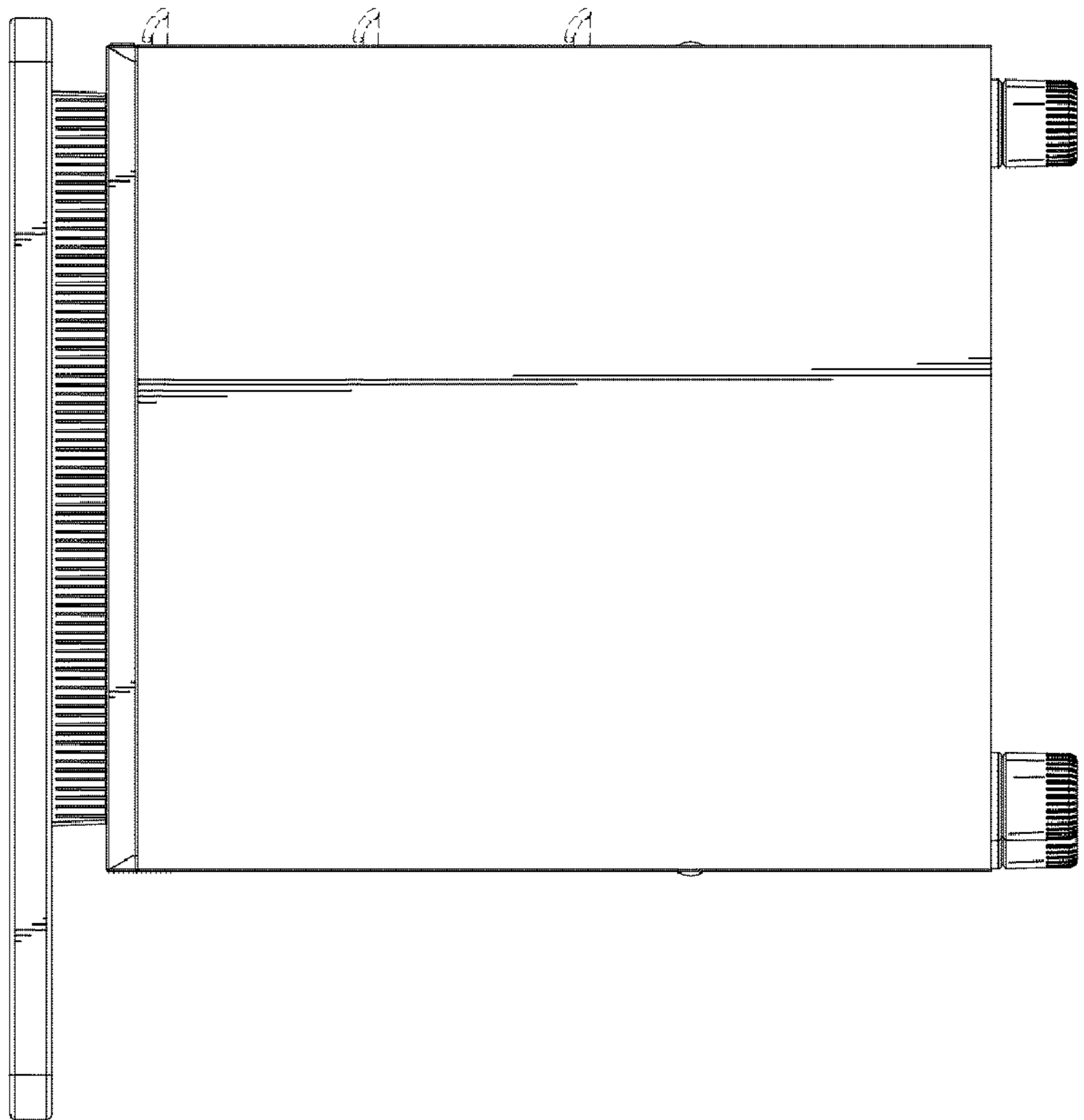


FIG. 4

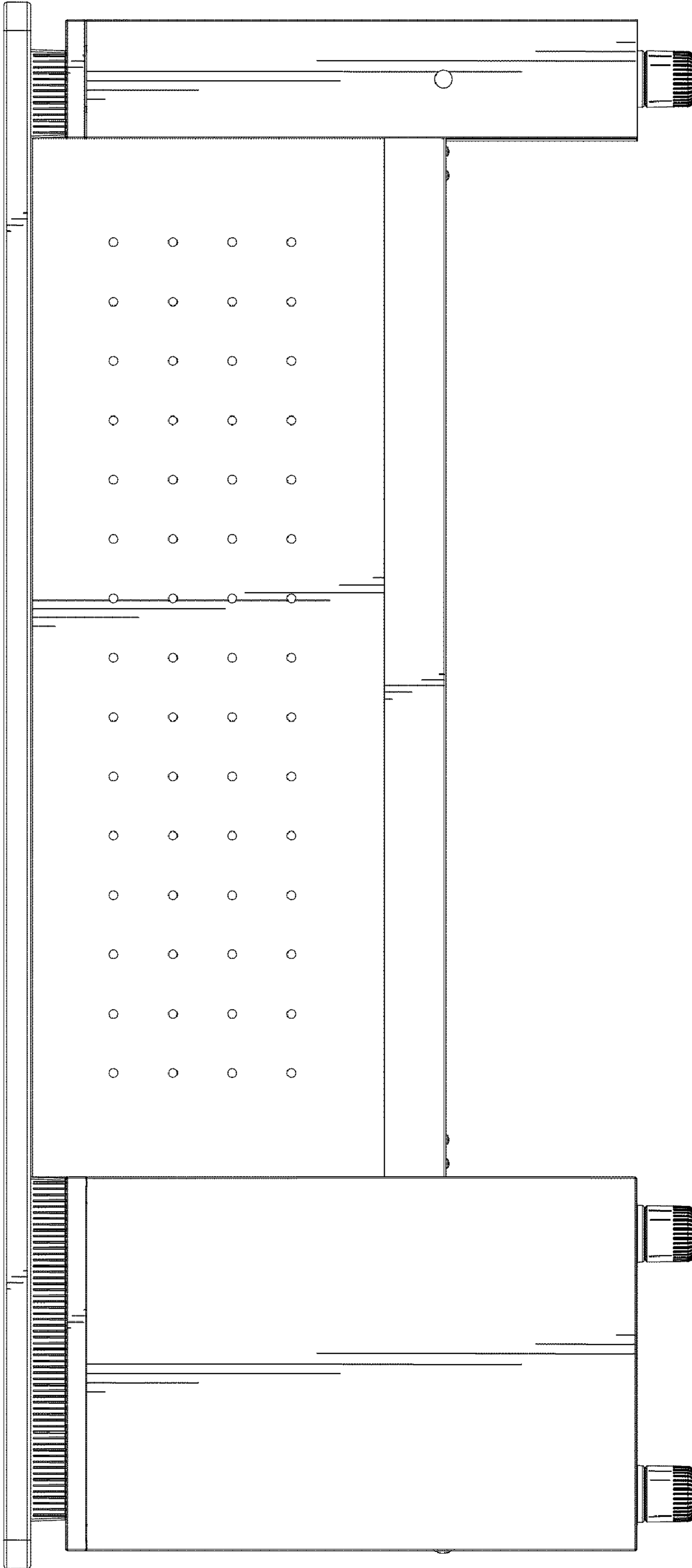


FIG. 0

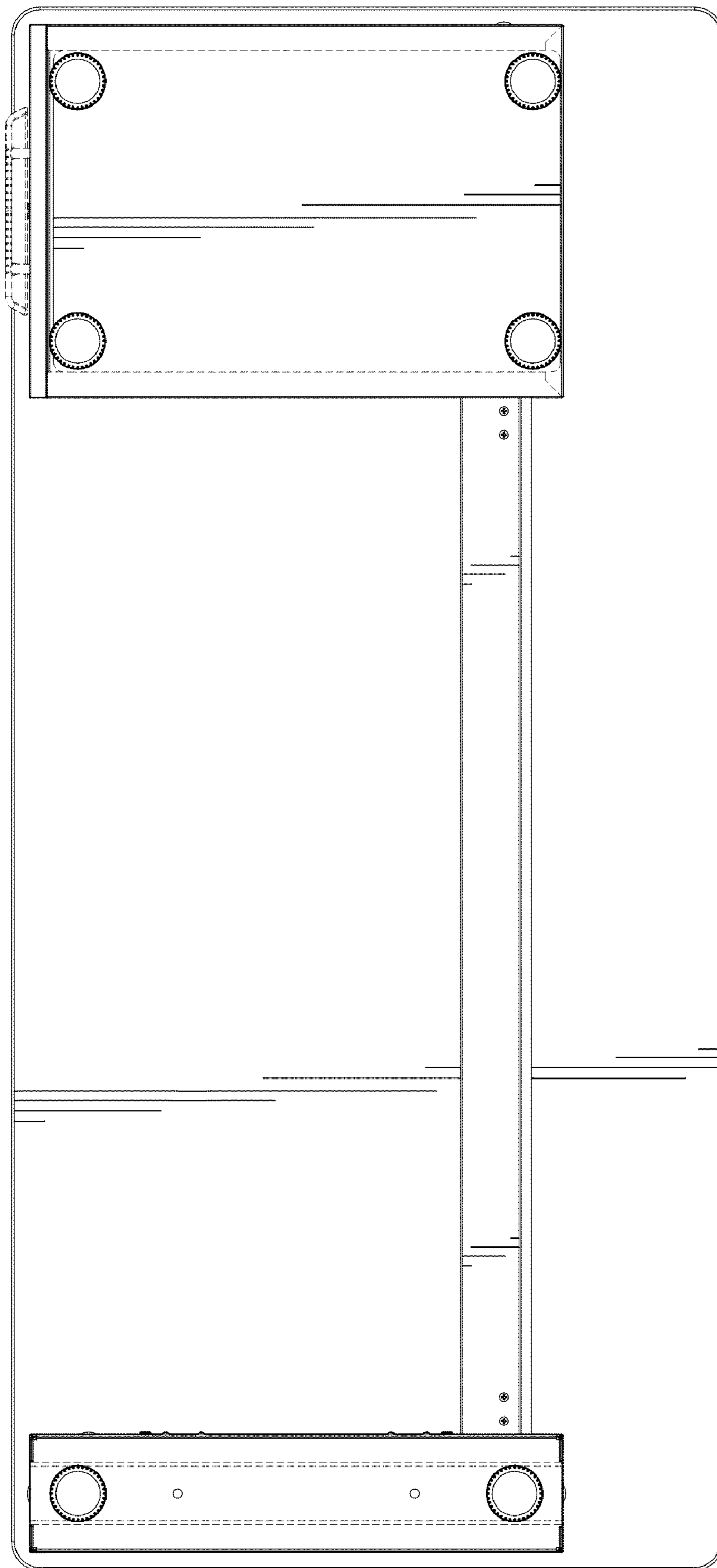


Fig. 7