



US00D621175S

(12) **United States Design Patent**  
**Glass et al.**

(10) **Patent No.:** **US D621,175 S**

(45) **Date of Patent:** **\*\* \*Aug. 10, 2010**

(54) **DESK WITH FLOATING TOP**

(75) Inventors: **Peter Glass**, Arroyo Grande, CA (US);  
**Robert Mills**, Torrance, CA (US)

(73) Assignee: **Virco Mfg. Corporation**, Torrance, CA  
(US)

(\*) Notice: This patent is subject to a terminal disclaimer.

(\*\*) Term: **14 Years**

(21) Appl. No.: **29/343,484**

(22) Filed: **Sep. 14, 2009**

(51) **LOC (9) Cl.** ..... **06-04**

(52) **U.S. Cl.** ..... **D6/422**

(58) **Field of Classification Search** ..... D6/422-428,  
D6/491, 509, 511; 312/194-196, 239, 279;  
108/50.01, 50.02

See application file for complete search history.

(56) **References Cited**

U.S. PATENT DOCUMENTS

D102,053 S *	11/1936	Jones	.....	D6/422
D141,353 S *	5/1945	Brandenburger	.....	D6/422
D167,189 S *	7/1952	Blazey	.....	D6/422
D169,320 S *	4/1953	Knoll	.....	D6/422
D203,195 S *	12/1965	Hughes	.....	D6/428
D207,712 S *	5/1967	Sullivan	.....	D6/422
D277,152 S *	1/1985	Hannah	.....	D6/423
D304,268 S *	10/1989	Bartlett	.....	D6/428

D362,573 S *	9/1995	Finlayson et al.	.....	D6/511
D587,924 S *	3/2009	Woods	.....	D6/422
D602,337 S	10/2009	Hanes		

\* cited by examiner

*Primary Examiner*—Janice E Seeger

(74) *Attorney, Agent, or Firm*—Denton L. Anderson; Robert M. Hupe; Sheldon Mak Rose & Anderson PC

(57) **CLAIM**

The ornamental design for a desk with floating top, as shown and described.

**DESCRIPTION**

FIG. 1 is a perspective view of a desk with floating top, showing our new design, the broken lines are for environmental purposes only and form no part of the claimed design;

FIG. 2 is a front view of the desk with floating top illustrated in FIG. 1;

FIG. 3 is a top view of the desk with floating top illustrated in FIG. 1;

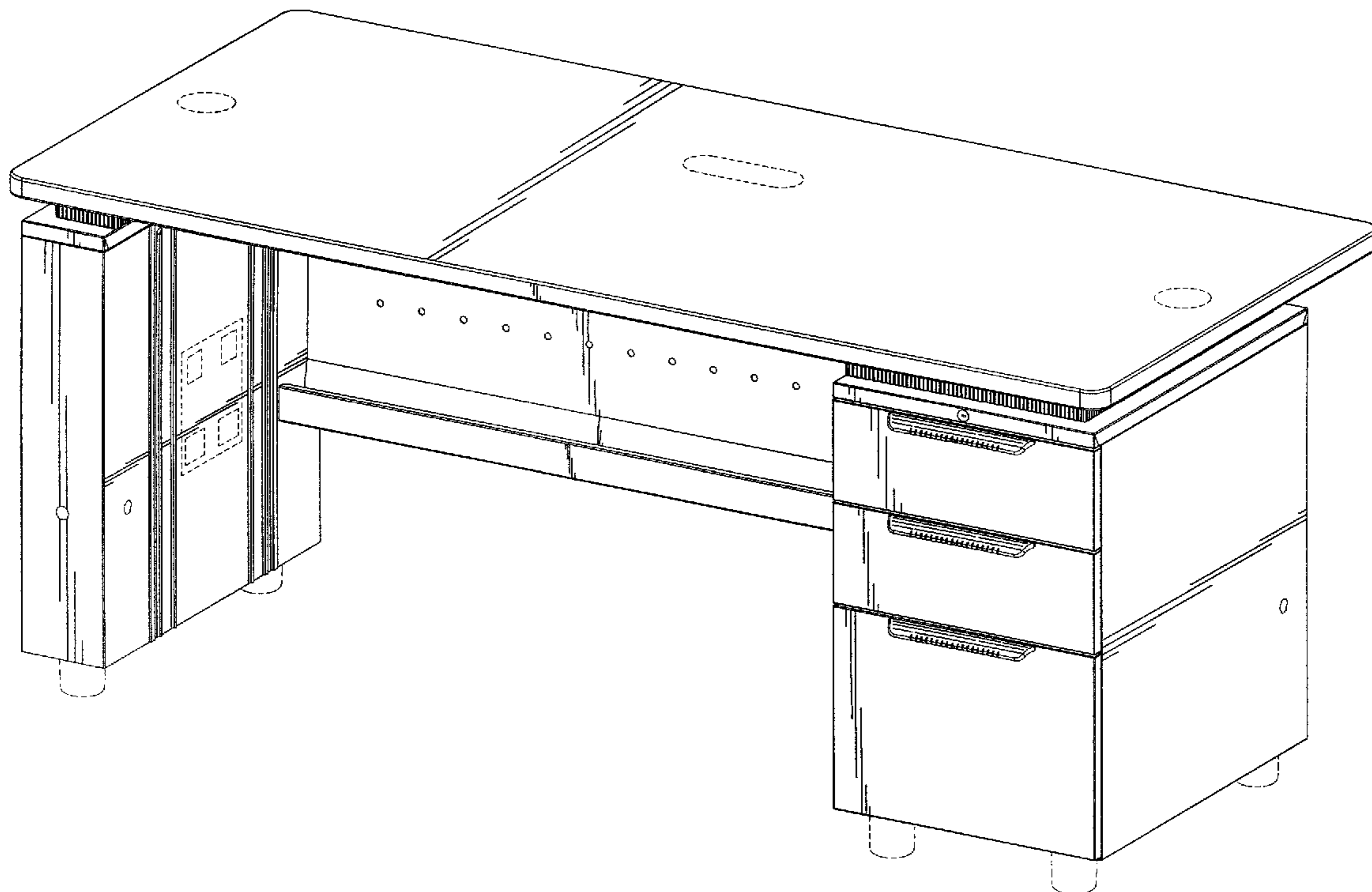
FIG. 4 is a first side view of the desk with floating top illustrated in FIG. 1;

FIG. 5 is a second side view of the desk with floating top illustrated in FIG. 1;

FIG. 6 is a back view of the desk with floating top illustrated in FIG. 1; and,

FIG. 7 is a bottom view of the desk with floating top illustrated in FIG. 1.

**1 Claim, 6 Drawing Sheets**



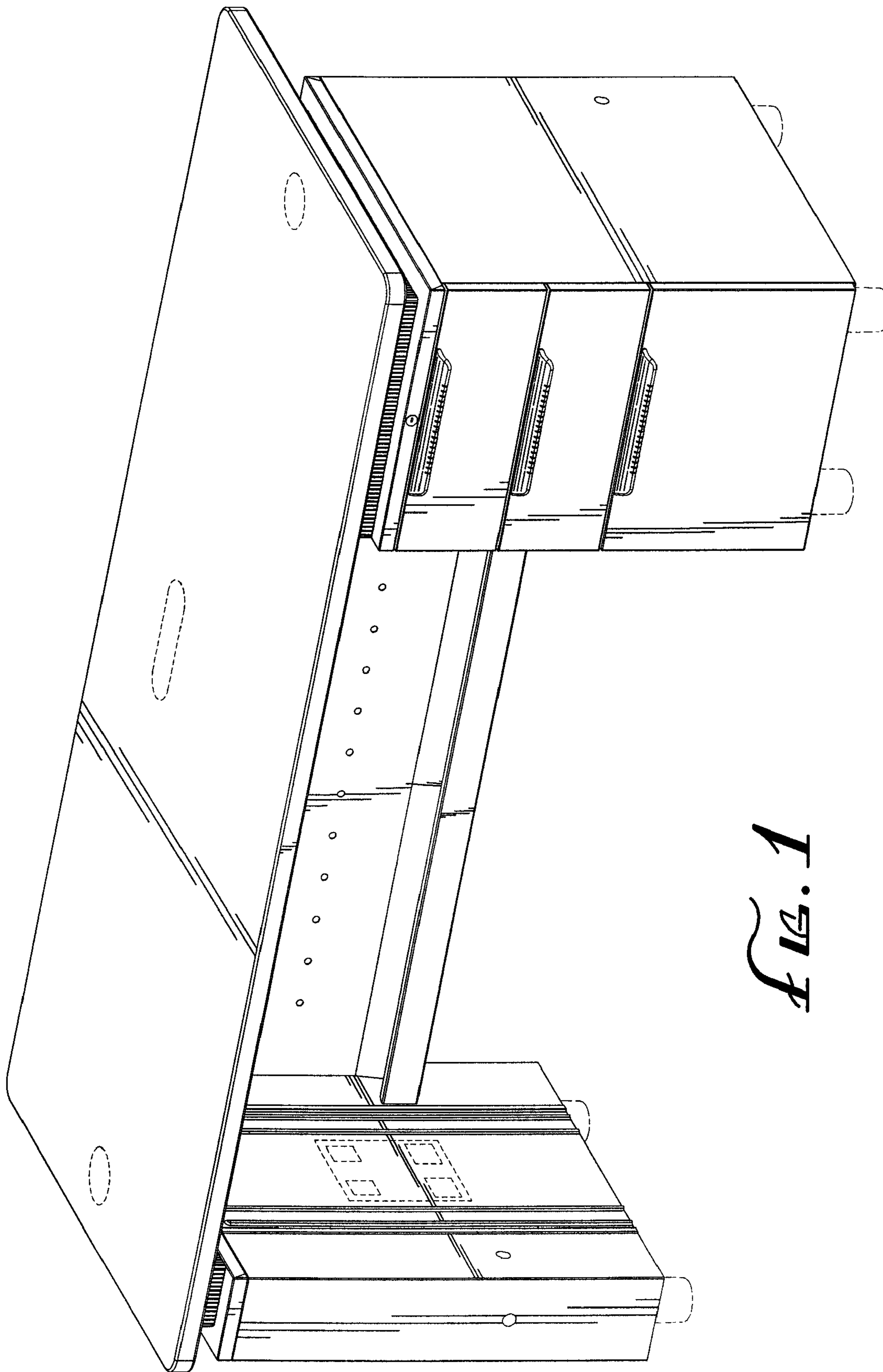


FIG. 1

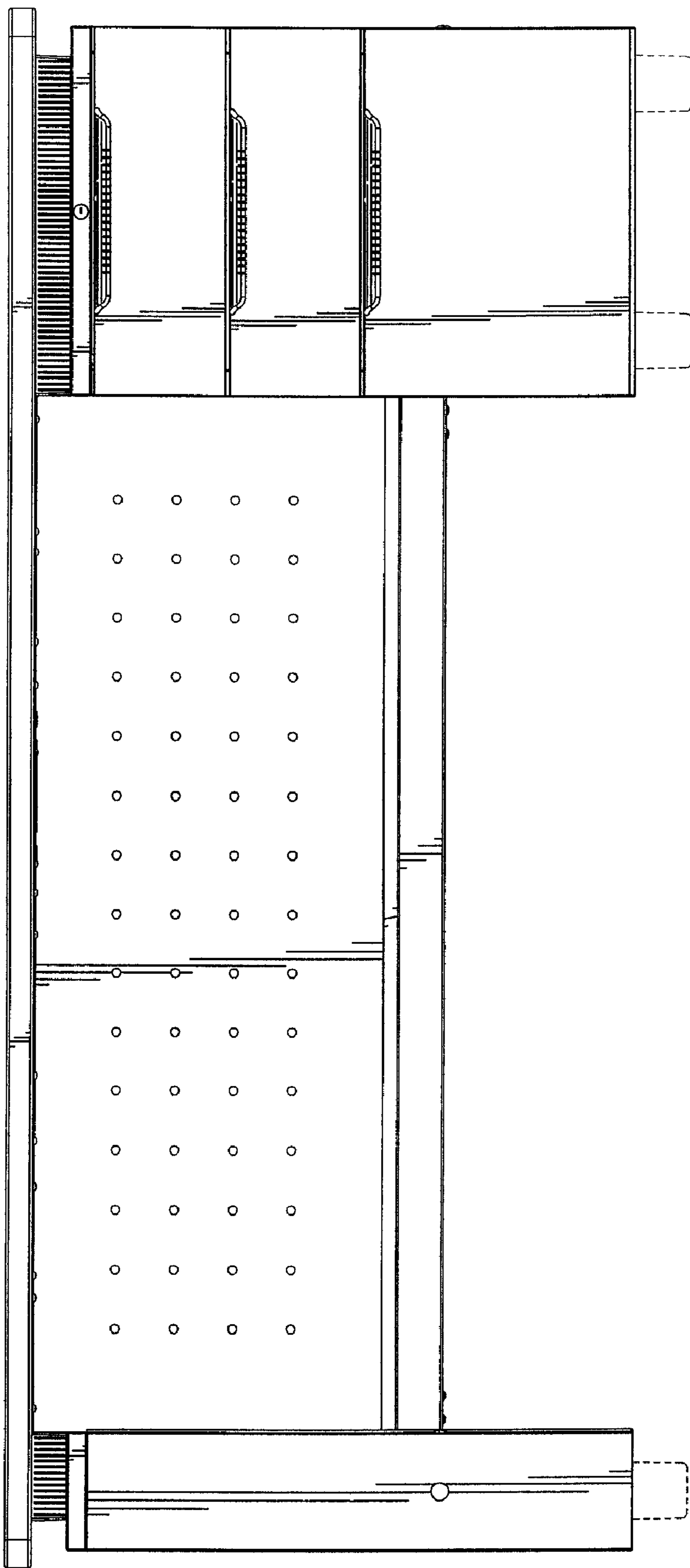


FIG. 2

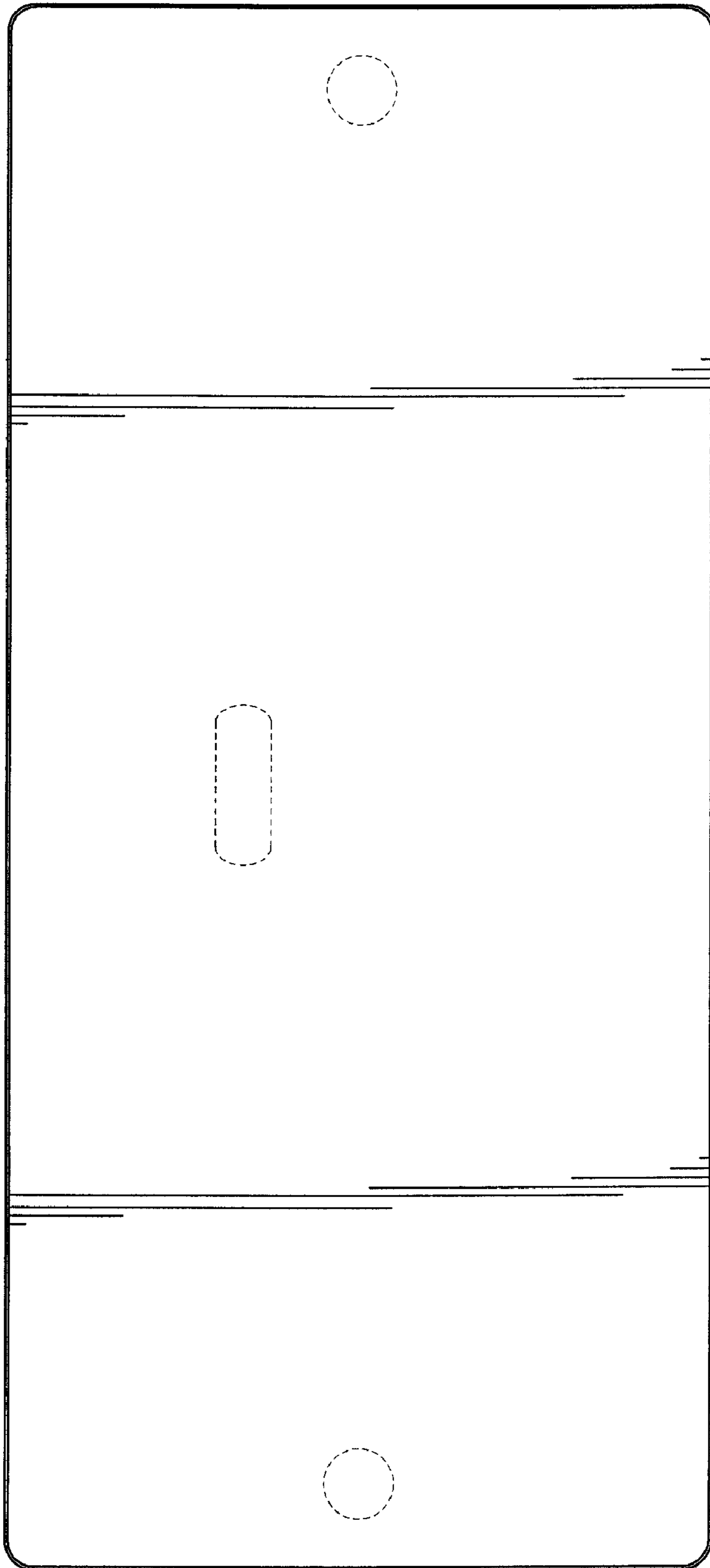


Fig. 3

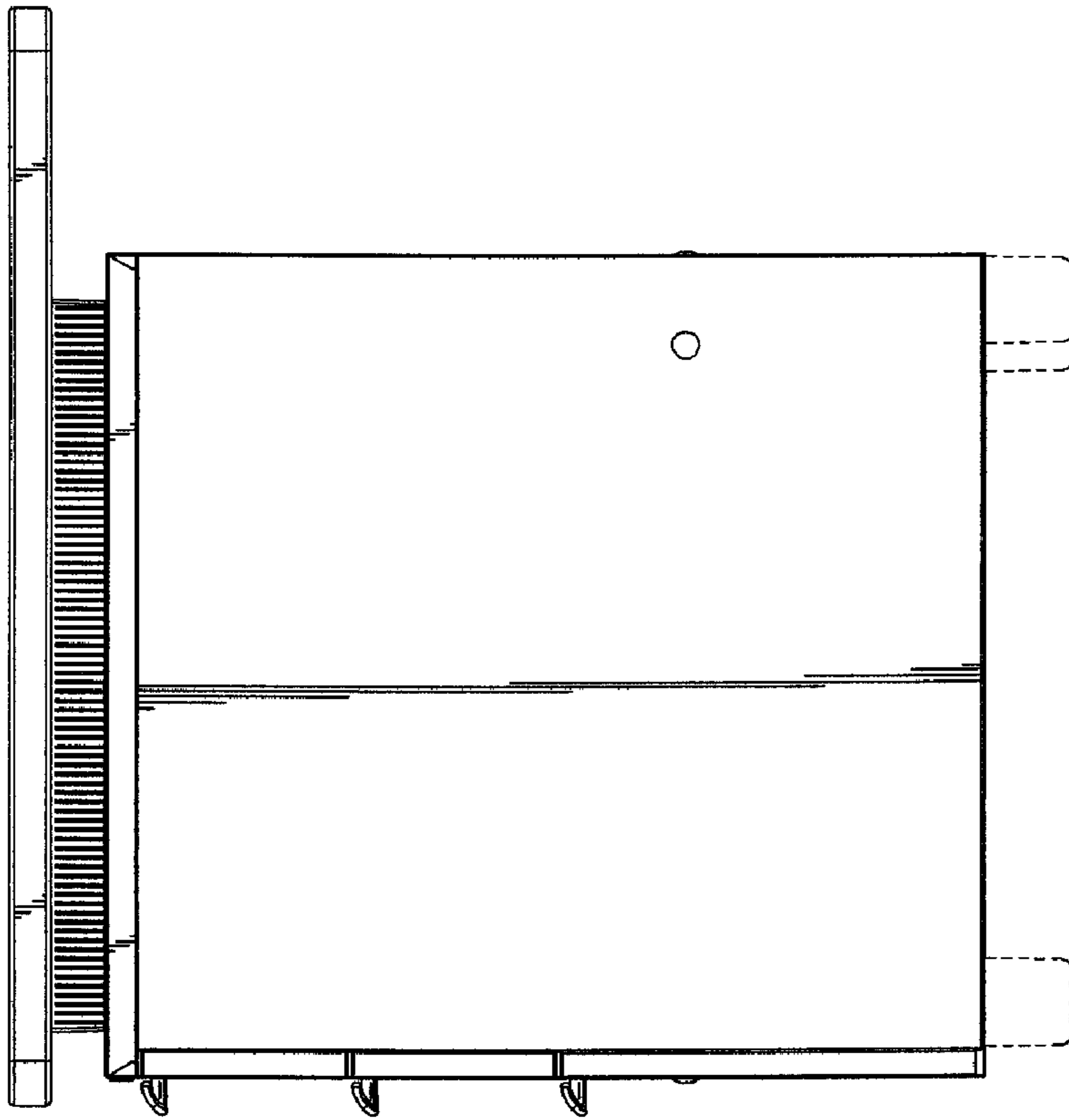


Fig. 5

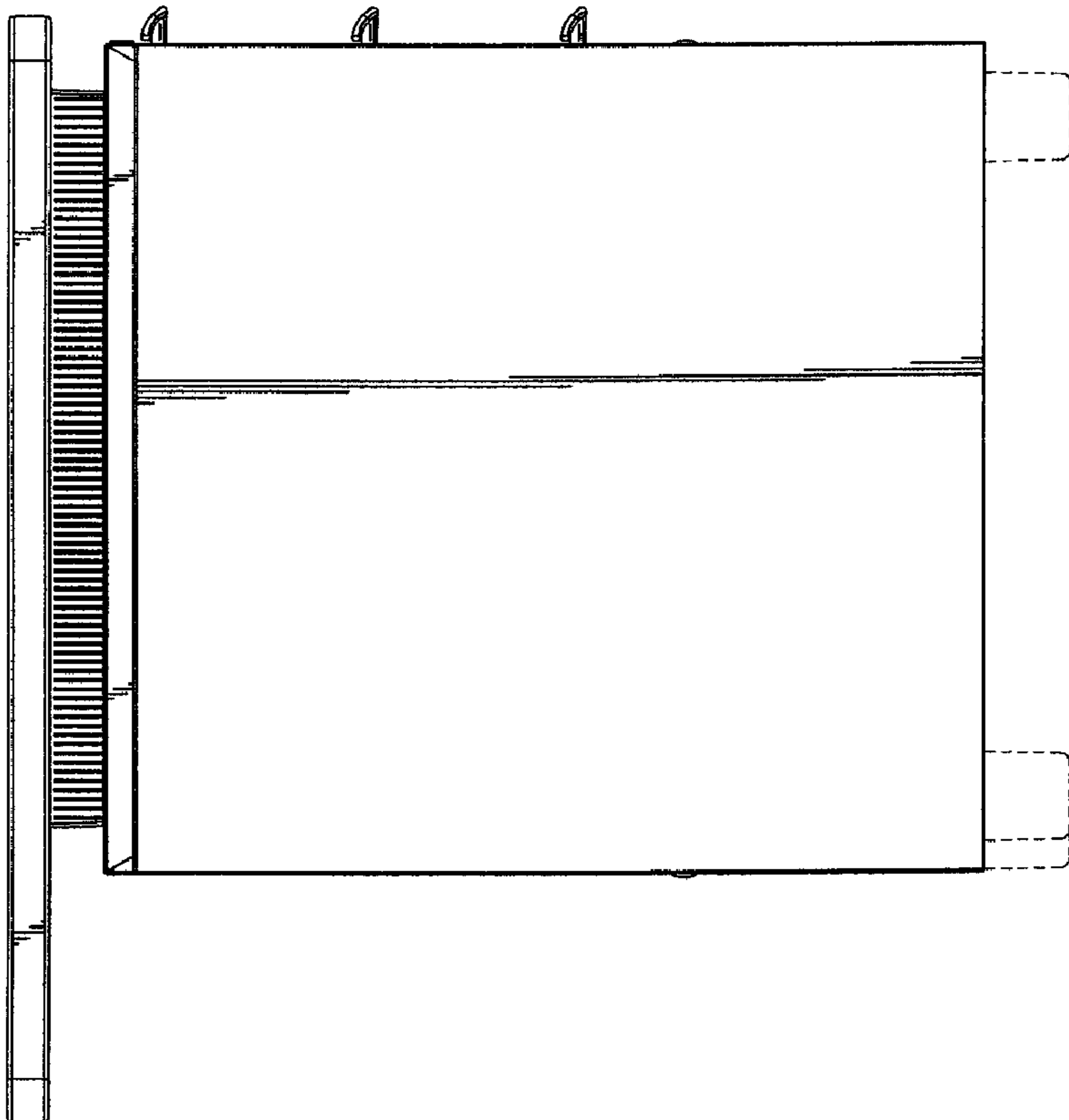


Fig. 4

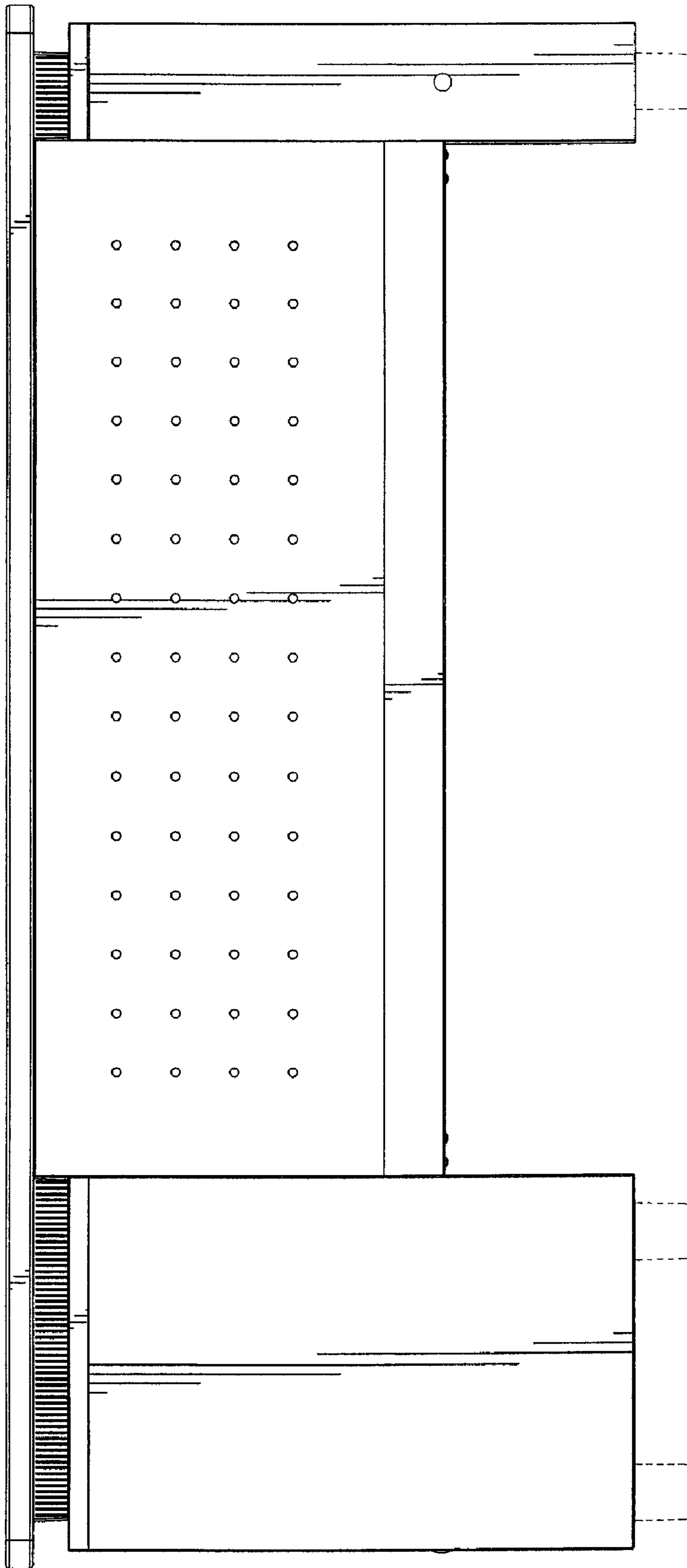


FIG. 10

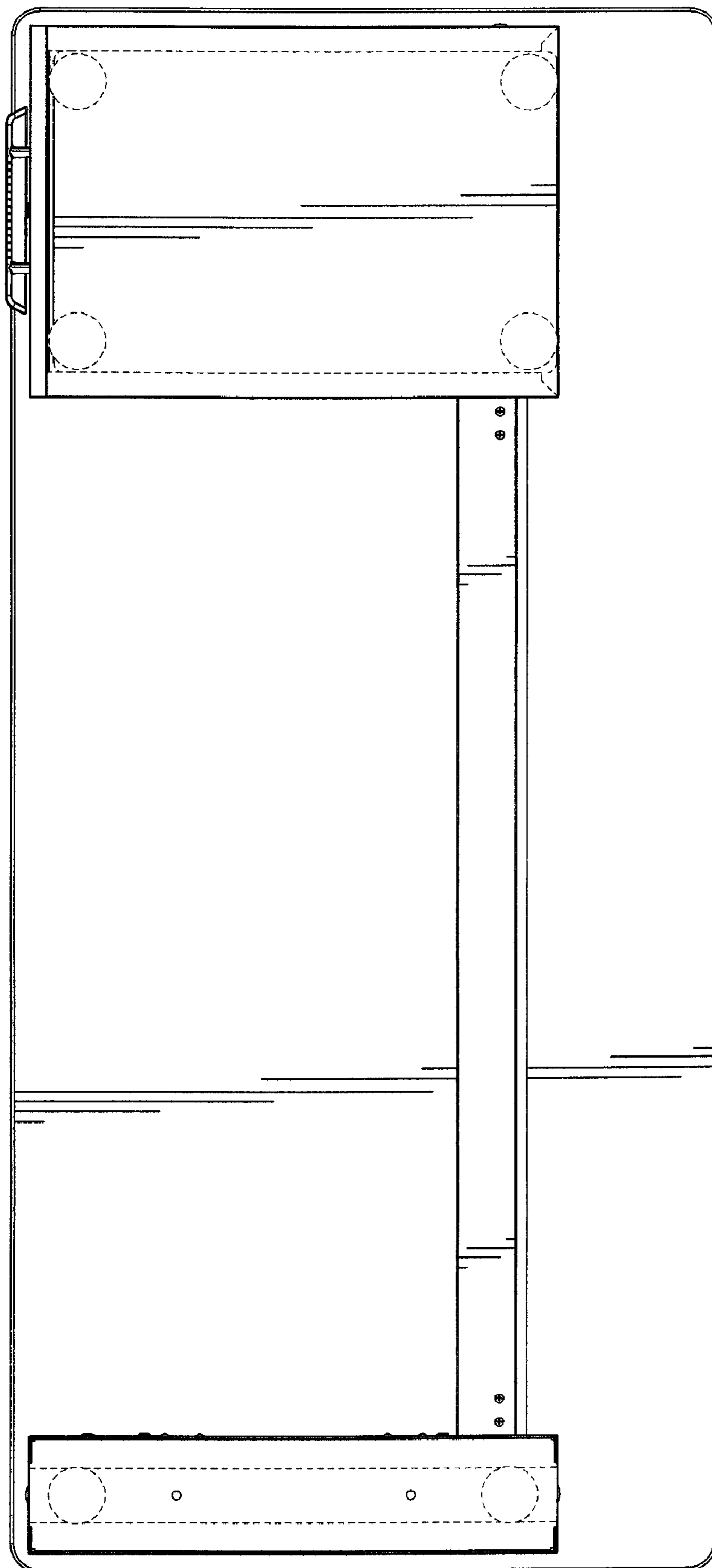


Fig. 7