



US00D621169S

(12) **United States Design Patent**
Fallander

(10) **Patent No.:** **US D621,169 S**

(45) **Date of Patent:** **** Aug. 10, 2010**

(54) **CONNECTOR FOR JOINING MULTIPLE PICTURE FRAMES**

(76) Inventor: **Dean Fallander**, 17560 S. Golden Rd., Golden, CO (US) 80401

(**) Term: **14 Years**

(21) Appl. No.: **29/335,201**

(22) Filed: **Apr. 9, 2009**

Related U.S. Application Data

(63) Continuation-in-part of application No. 11/106,235, filed on Apr. 14, 2005, now abandoned.

(51) **LOC (9) Cl.** **06-07**

(52) **U.S. Cl.** **D6/310**

(58) **Field of Classification Search** D6/300-314;
40/124.1, 709, 729, 725, 745, 752, 730, 782,
40/783; 248/441.1, 450, 473, 469, 466, 452;
D19/90, 86, 91, 26, 75, 100; 211/45, 50,
211/10, 11

See application file for complete search history.

(56) **References Cited**

U.S. PATENT DOCUMENTS

4,125,243	A *	11/1978	Liptak	248/473
D308,449	S *	6/1990	Canetti	D6/310
D454,703	S *	3/2002	Doeing	D6/310
D465,660	S *	11/2002	Doeing	D6/310
D477,920	S *	8/2003	McCarty et al.	D6/310
D501,887	S *	2/2005	Lee	D19/90

* cited by examiner

Primary Examiner—Caron Veynar
Assistant Examiner—Abraham Bahta
(74) *Attorney, Agent, or Firm*—Gregory W. O'Connor

(57) **CLAIM**

The ornamental design for a connector for joining multiple picture frames, as shown and described.

DESCRIPTION

FIG. 1 is a front perspective view of a connector for joining multiple picture frames showing my new design, this embodiment being shown in a transparent or translucent material.

FIG. 2 is a front elevational view thereof.

FIG. 3 is a back view thereof.

FIG. 4 is a right side view thereof, the left side view being a mirror image thereof.

FIG. 5 is a top view thereof, the bottom view being a mirror image thereof.

FIG. 6 is a front perspective view of a second embodiment of a connector for joining multiple picture frames showing my new design, this embodiment being shown in an opaque material.

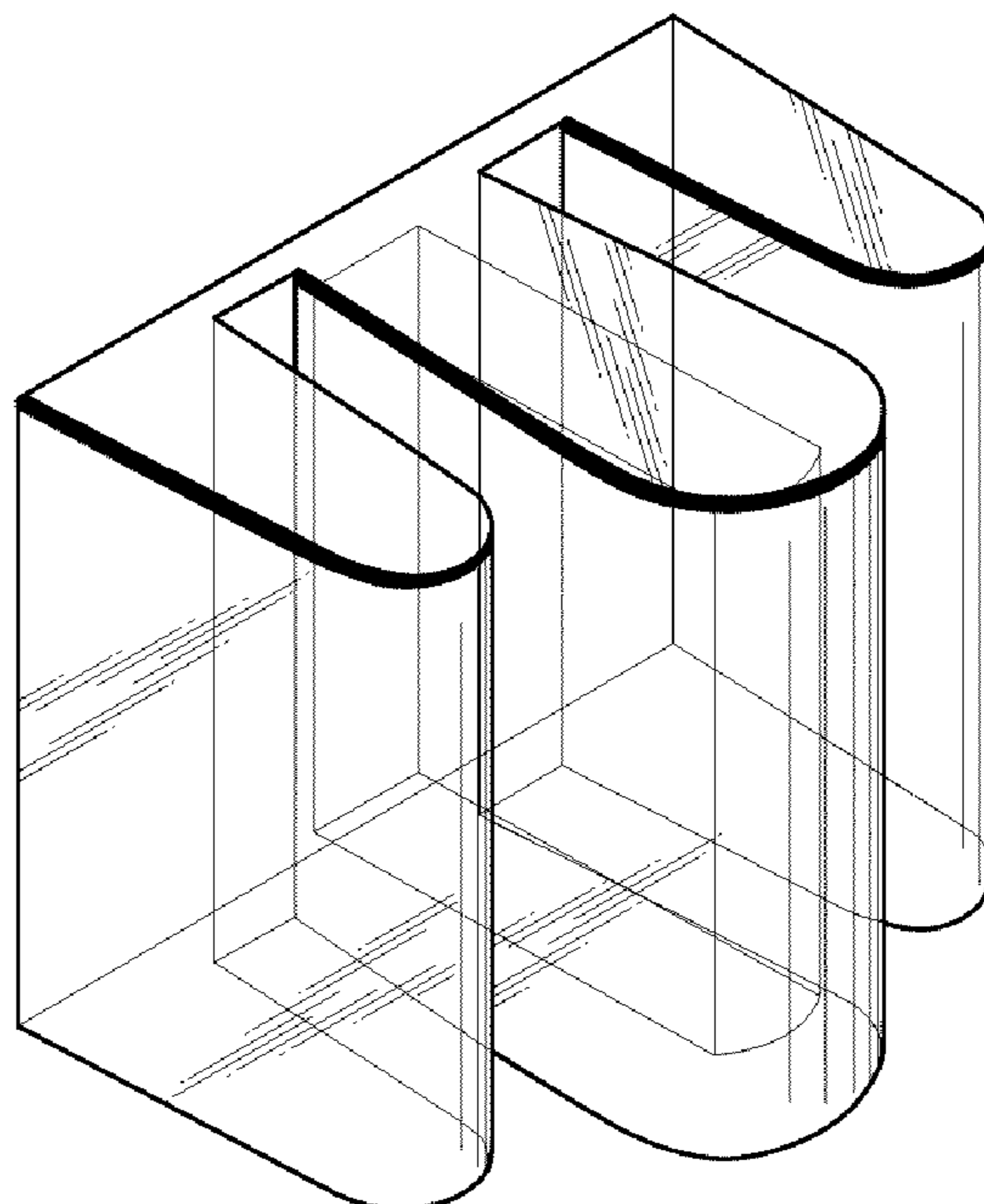
FIG. 7 is a front elevational view of this second embodiment.

FIG. 8 is a back view of this second embodiment.

FIG. 9 is a right side view thereof, the left side view being a mirror image of this second embodiment; and,

FIG. 10 is a top view thereof, the bottom view being a mirror image of this second embodiment.

1 Claim, 2 Drawing Sheets



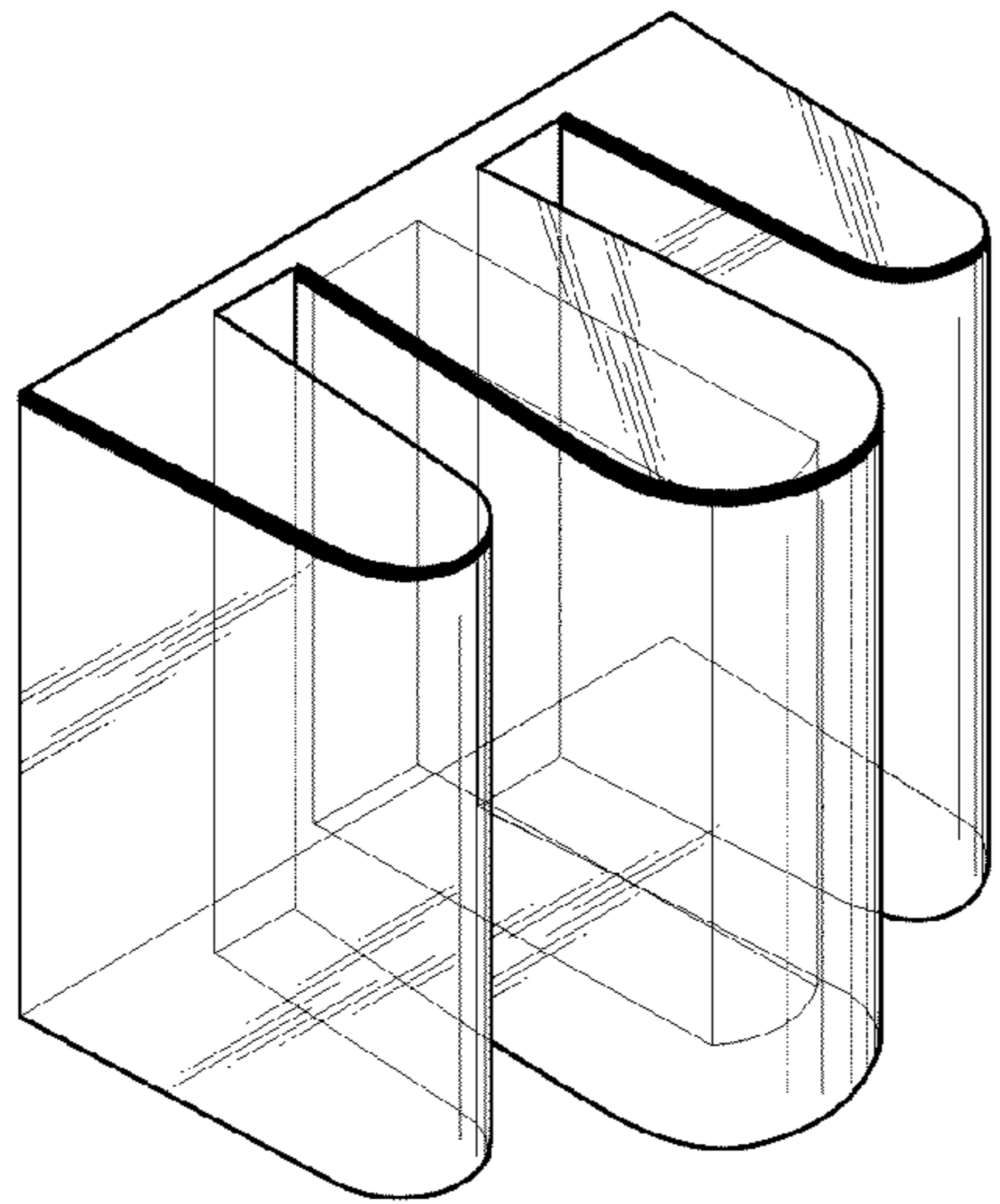


FIG. 1

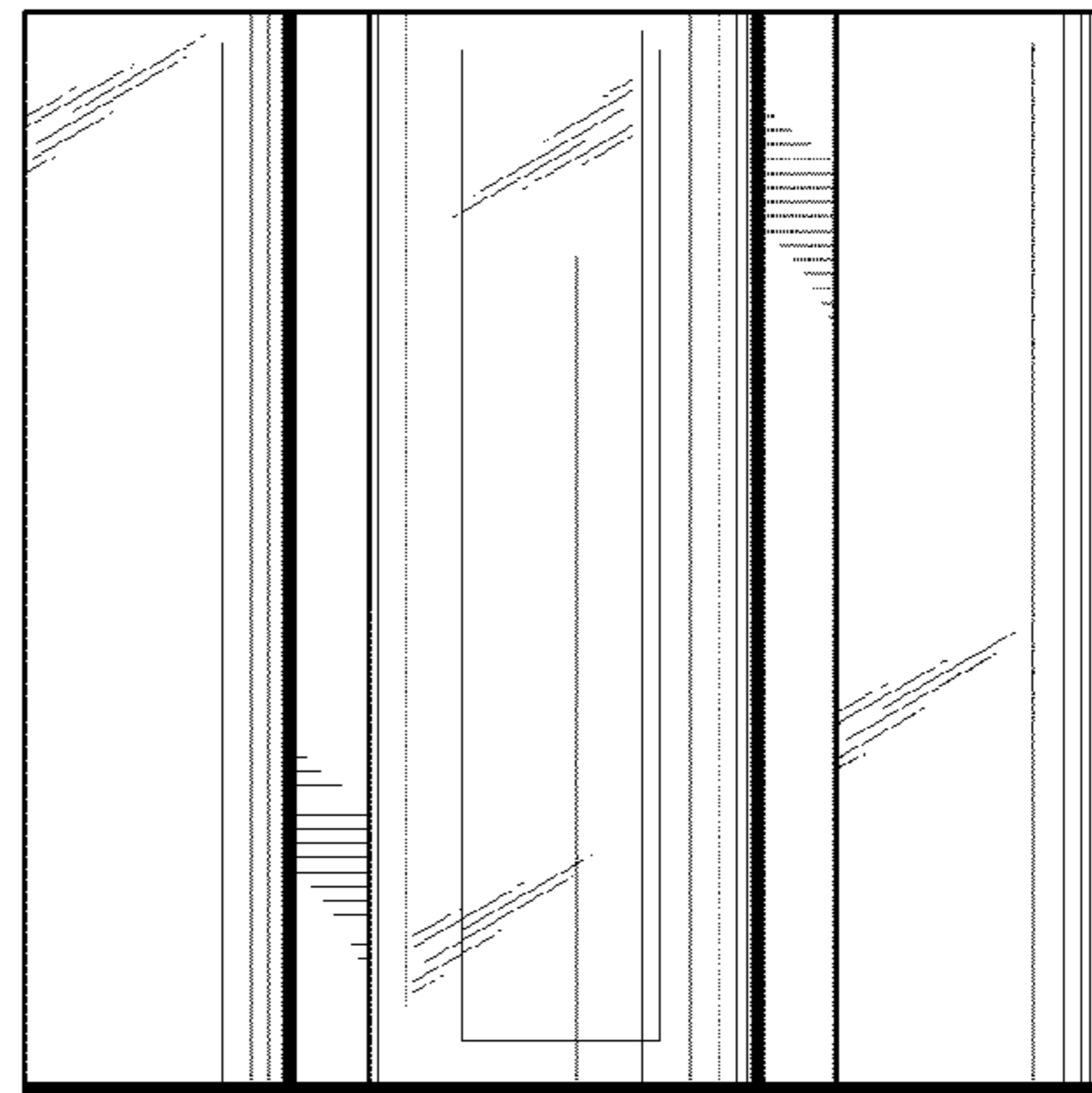


FIG. 2

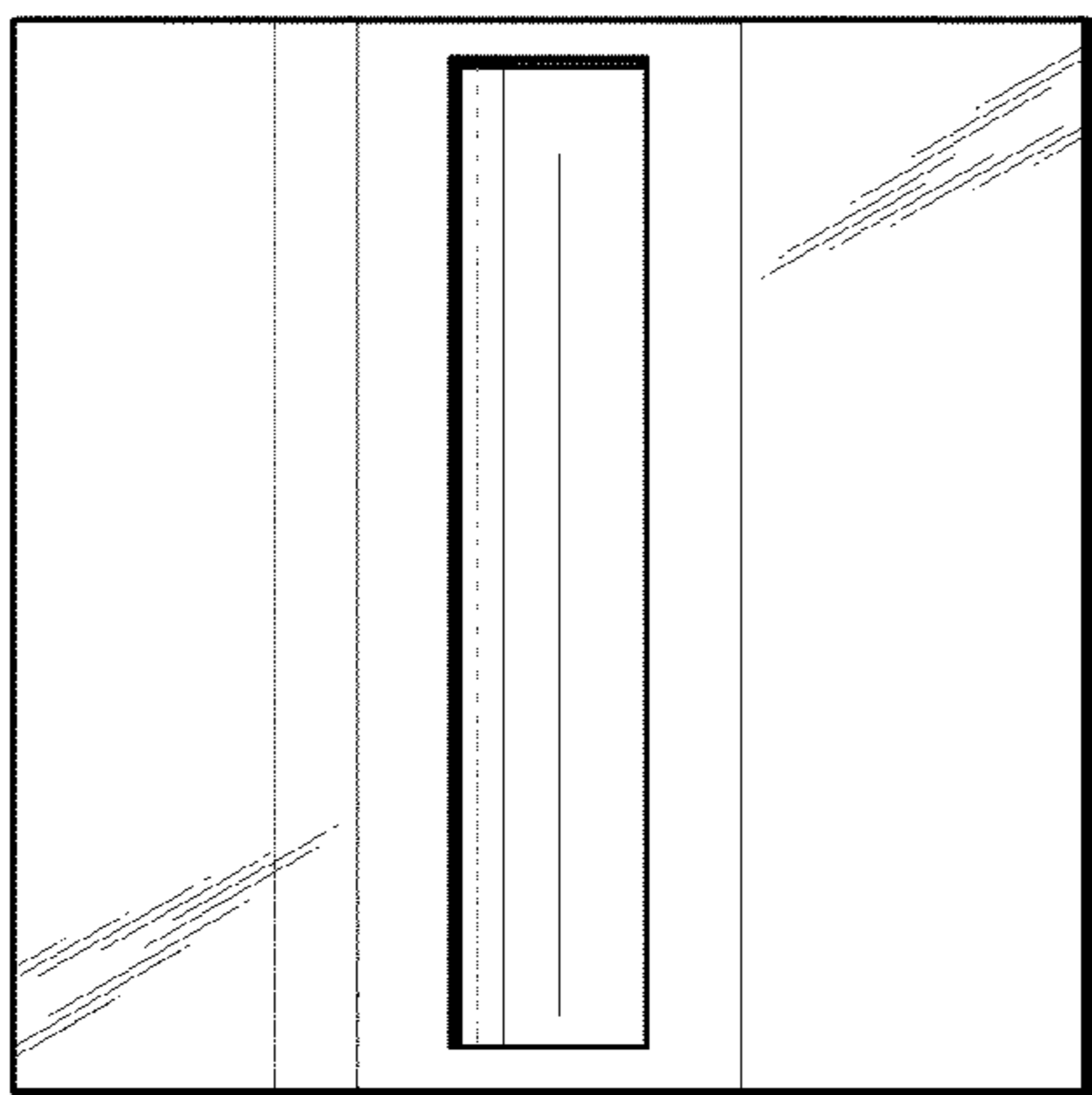


FIG. 3



FIG. 4

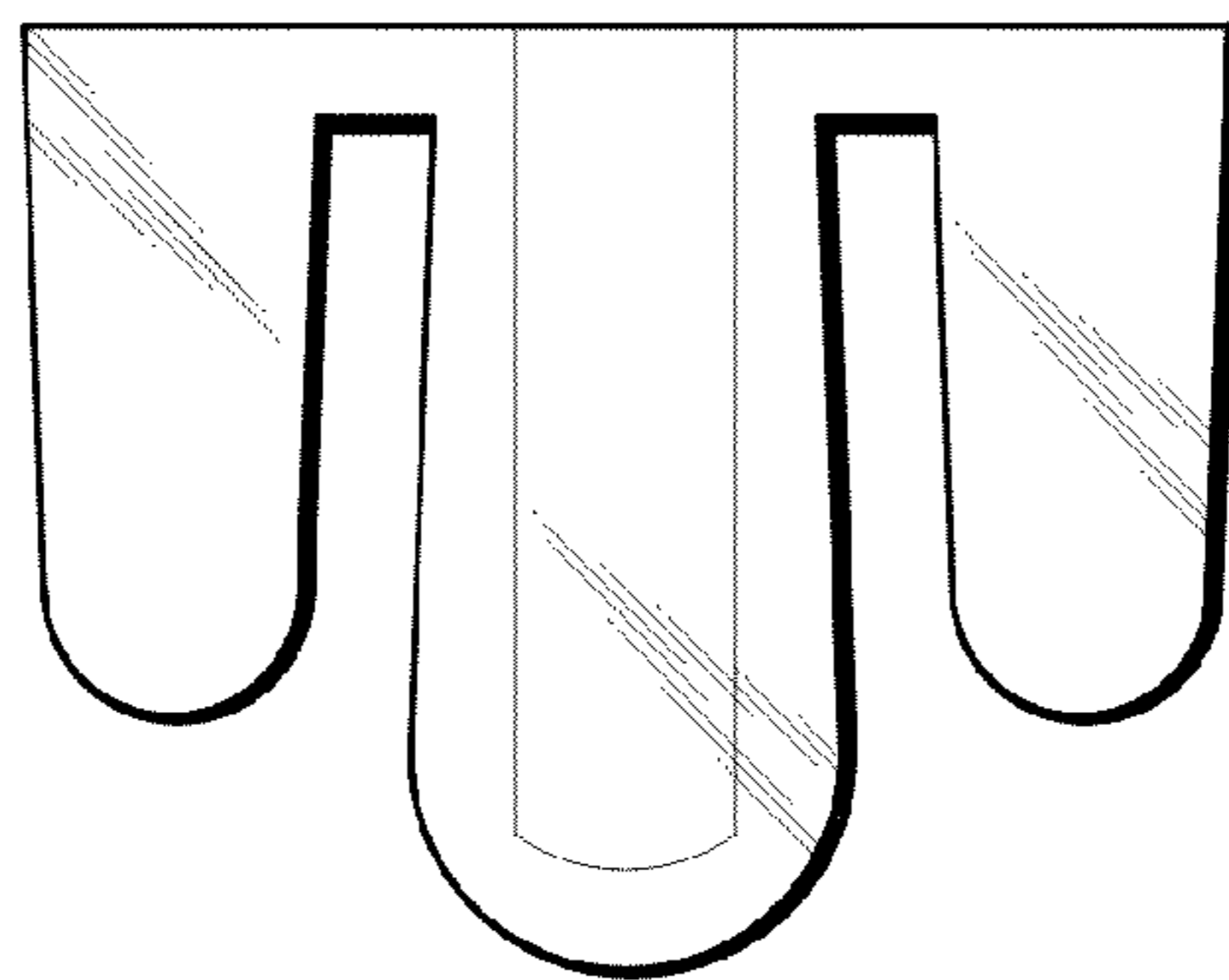


FIG. 5

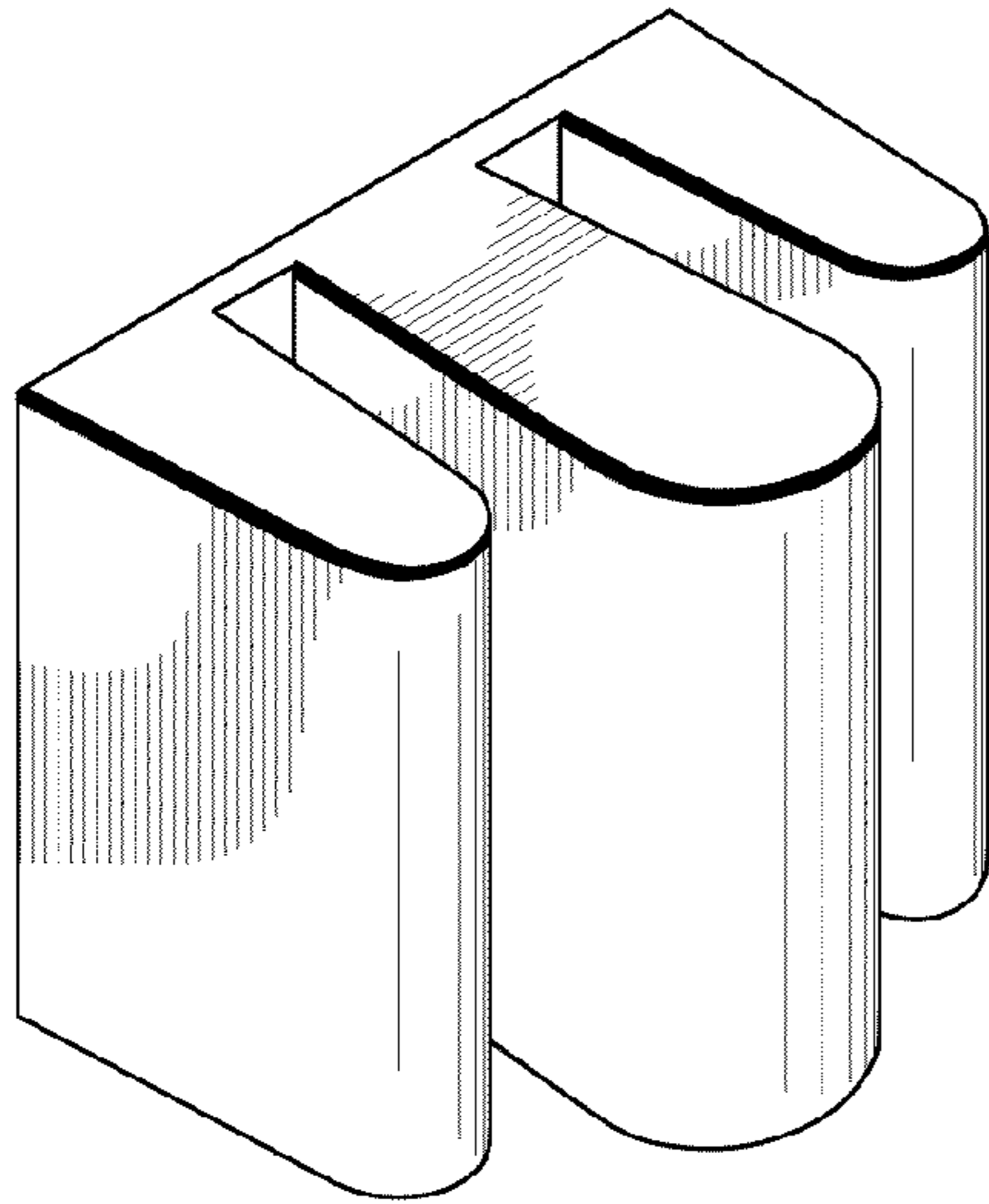


FIG. 6

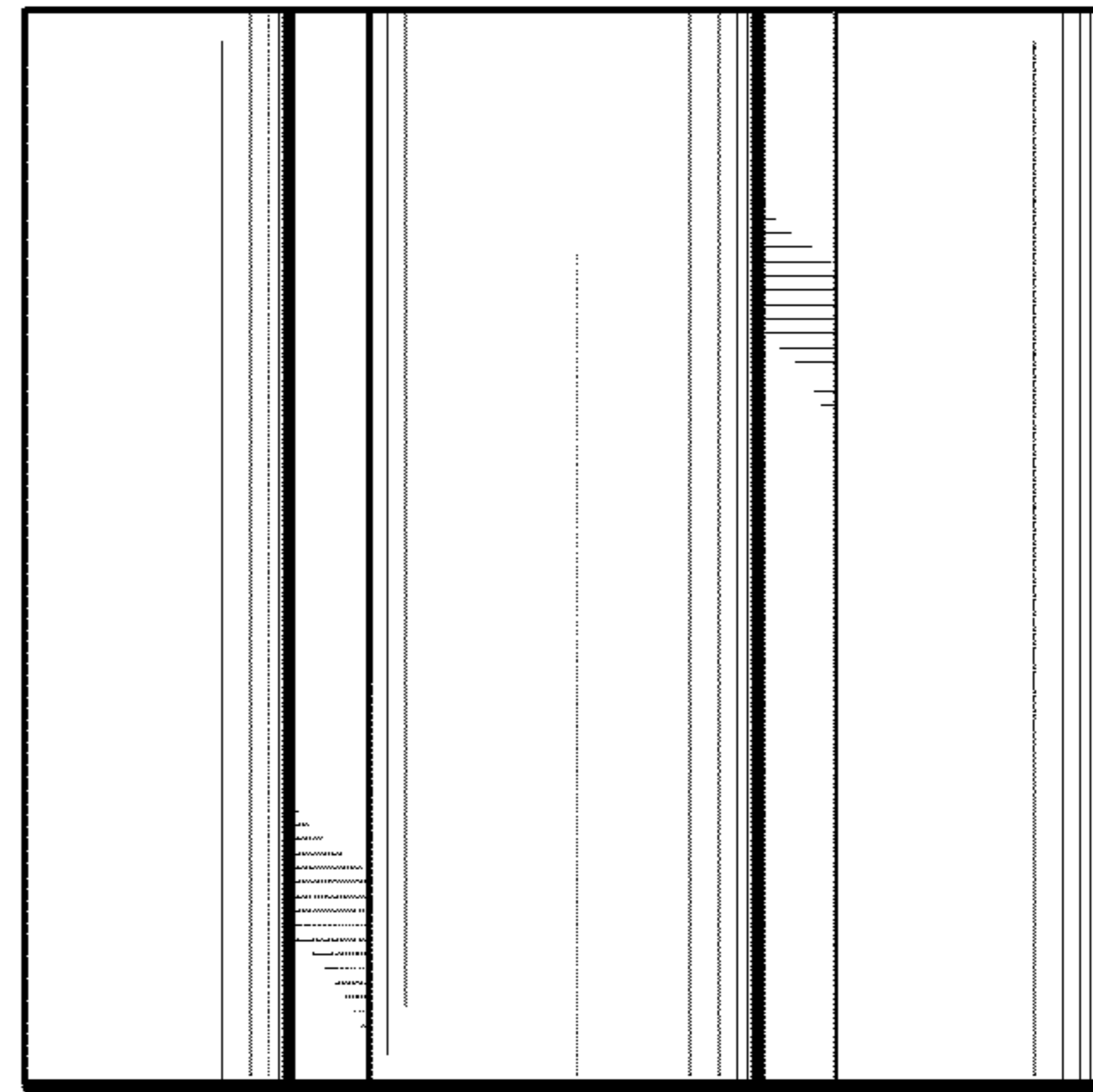


FIG. 7

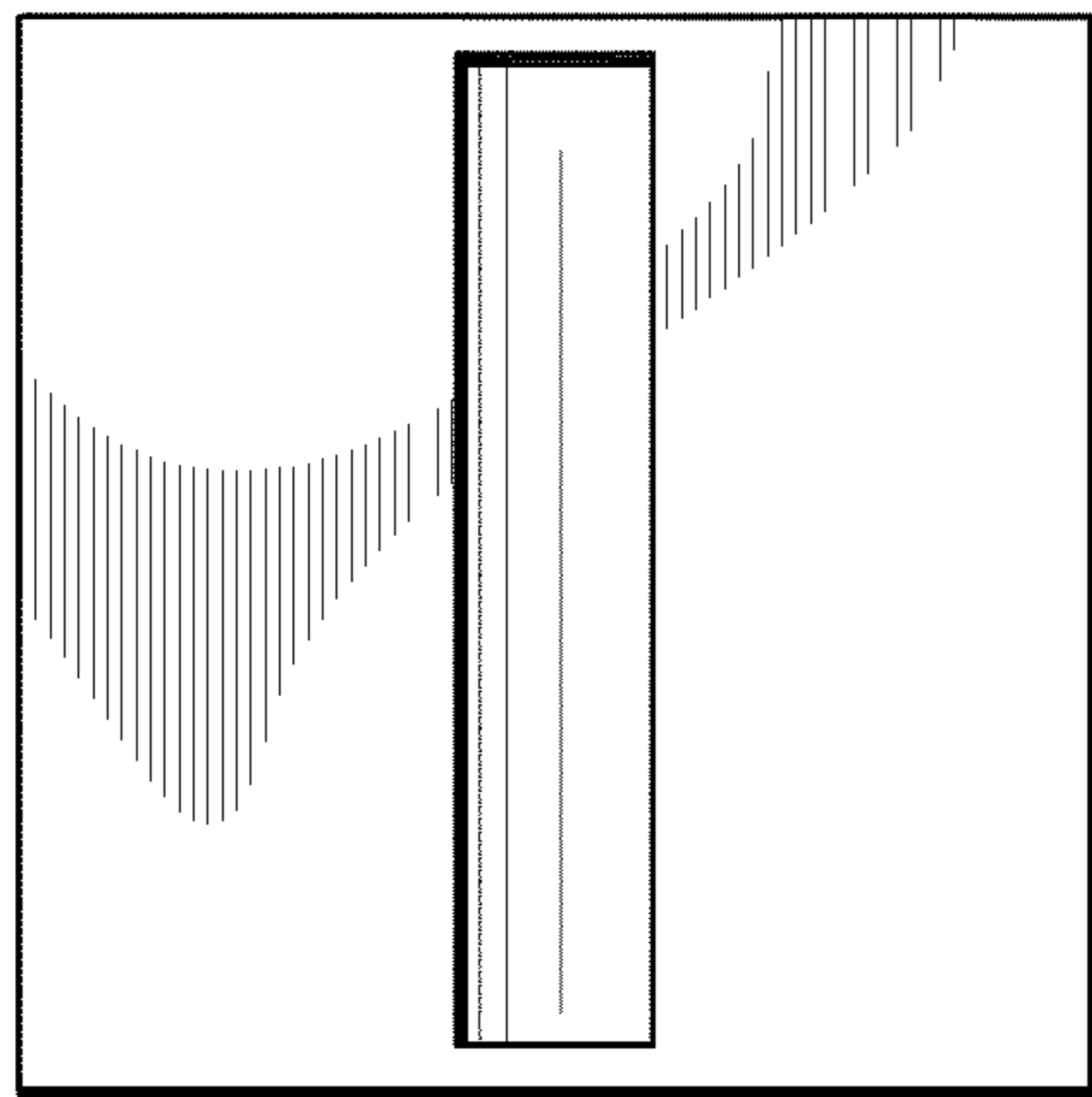


FIG. 8

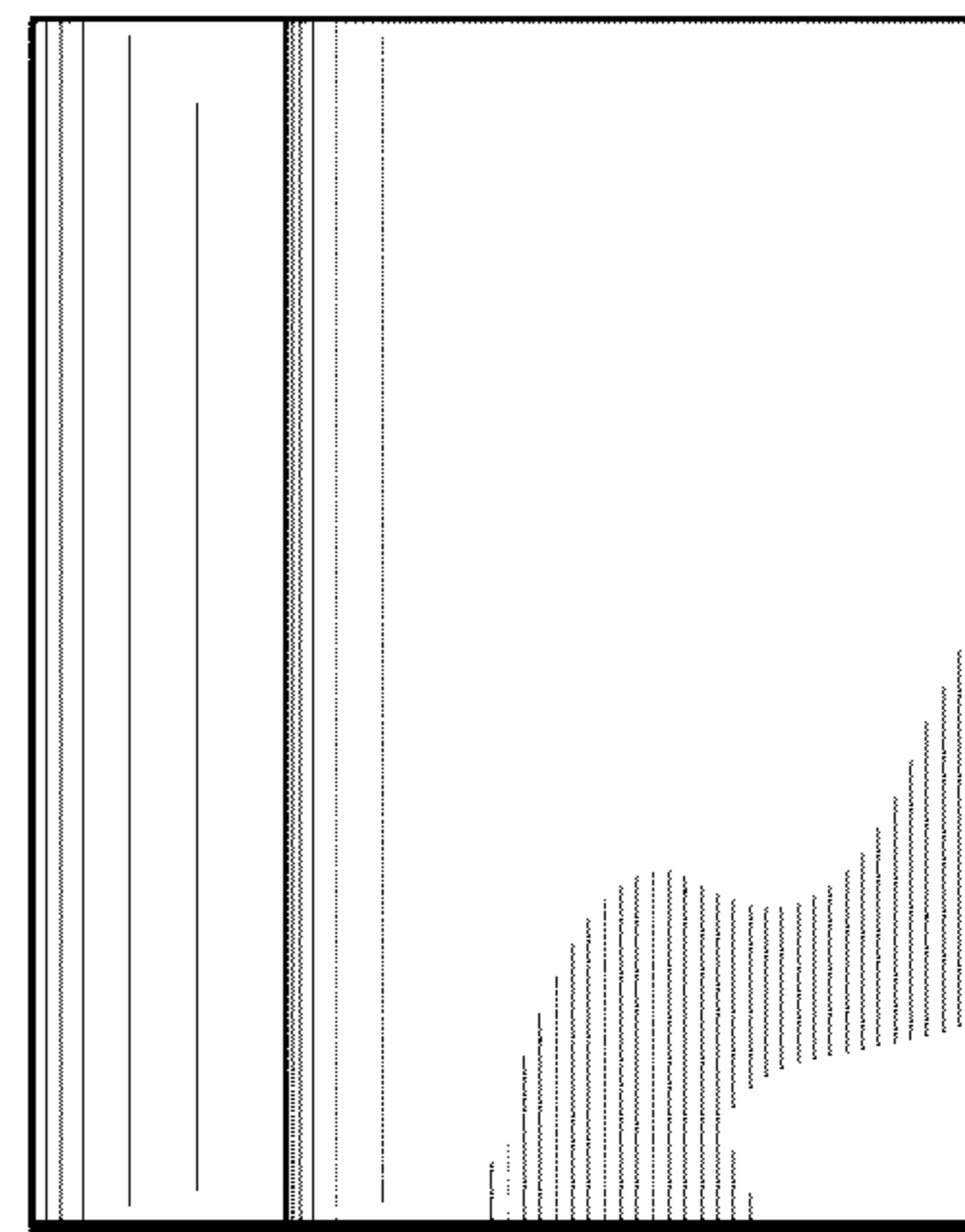


FIG. 9

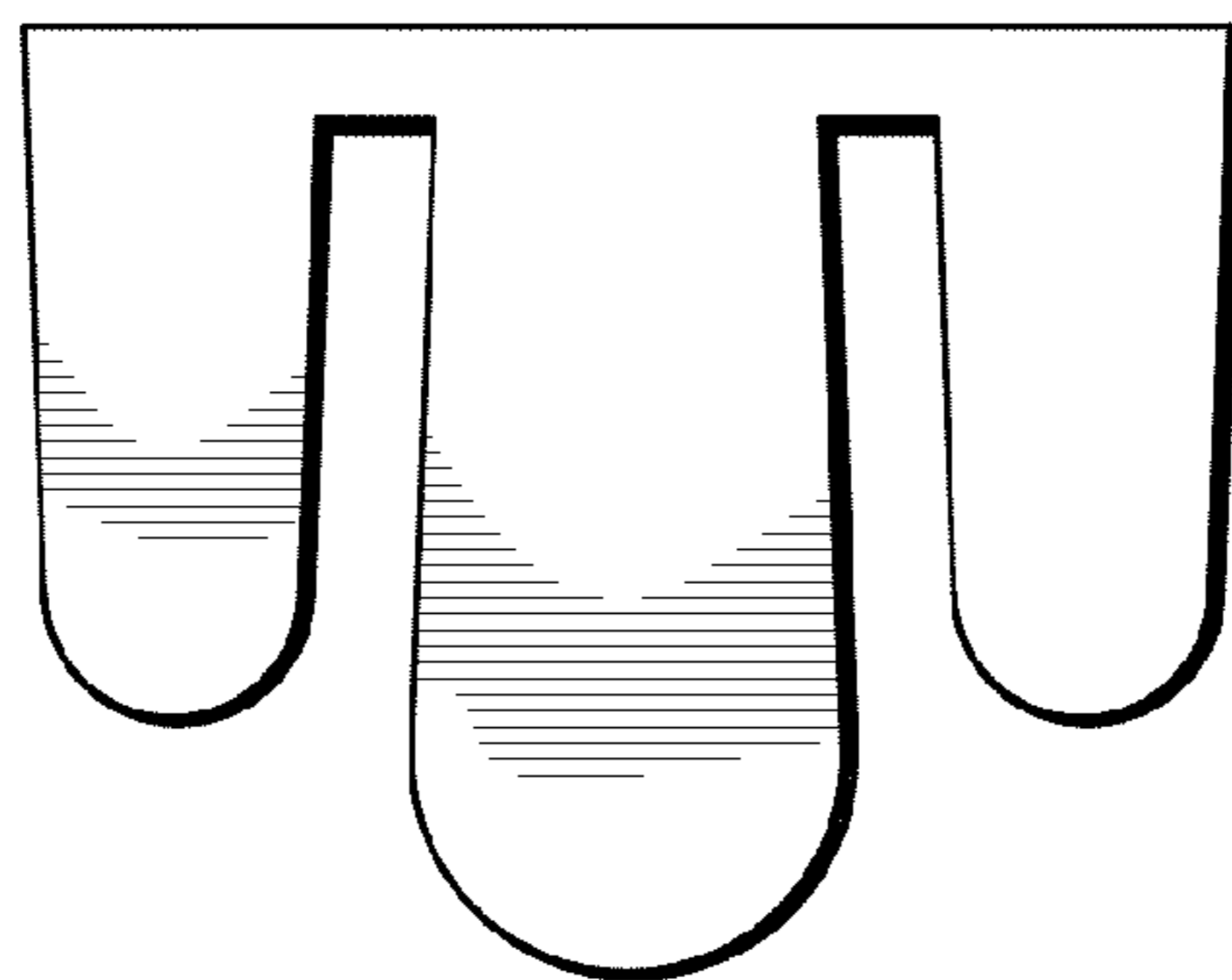


FIG. 10