



US00D621162S

(12) **United States Design Patent**  
**Buck et al.**

(10) **Patent No.:** **US D621,162 S**

(45) **Date of Patent:** **\*\* Aug. 10, 2010**

(54) **TOILET BRUSHWARE**

(75) Inventors: **Spencer Buck**, Weston-super-Mare (GB); **John Lamb**, Near Pewsey (GB); **Martin Bunce**, Pewsey (GB)

(73) Assignee: **Taxi Studio Limited**, Bristol (GB)

(\*\*) Term: **14 Years**

(21) Appl. No.: **29/339,105**

(22) Filed: **Jun. 24, 2009**

(30) **Foreign Application Priority Data**

Mar. 25, 2009 (EM) ..... 001112312-0003

(51) **LOC (9) Cl.** ..... **04-01**

(52) **U.S. Cl.** ..... **D4/127; D4/138**

(58) **Field of Classification Search** ..... D4/127, D4/135, 138, 199; D32/35, 51; 15/104.16, 15/104.31, 143.1, 211, 224, 225

See application file for complete search history.

(56) **References Cited**

**U.S. PATENT DOCUMENTS**

- 265,319 A \* 10/1882 Howell, Jr. .... 15/104.16
- 265,320 A \* 10/1882 Howell, Jr. .... 15/104.31
- 2,176,795 A \* 10/1939 Hartley ..... 401/264
- 3,560,101 A \* 2/1971 Leland ..... 206/361
- 3,754,297 A \* 8/1973 Metz ..... 15/236.1
- D290,798 S \* 7/1987 Zuliani ..... D6/551
- 5,850,654 A \* 12/1998 Coffey ..... 15/1.7
- 5,941,379 A 8/1999 Barardo
- 2004/0045112 A1 3/2004 Naumann
- 2005/0108844 A1 5/2005 Grobbel et al.

**FOREIGN PATENT DOCUMENTS**

DE 2810845 A \* 9/1979

DE	29817209	3/1999
DE	102006034405 B3 *	10/2007
JP	2001008856	1/2001
JP	2001186929	7/2001
JP	2006271644	10/2006

\* cited by examiner

*Primary Examiner*—Melanie H Tung

*Assistant Examiner*—Lavone D Tabor

(74) *Attorney, Agent, or Firm*—Stites & Harbison PLLC; Douglas E. Jackson

(57) **CLAIM**

The ornamental design for a toilet brushware, as shown and described.

**DESCRIPTION**

FIG. 1 is front view showing the new design.

FIG. 2 is a perspective front, top and right side view thereof, the corresponding perspective front, top and left side view being a mirror image thereof.

FIG. 3 is a perspective back, top and right side view thereof, the corresponding perspective back, top and left side view being a mirror image thereof.

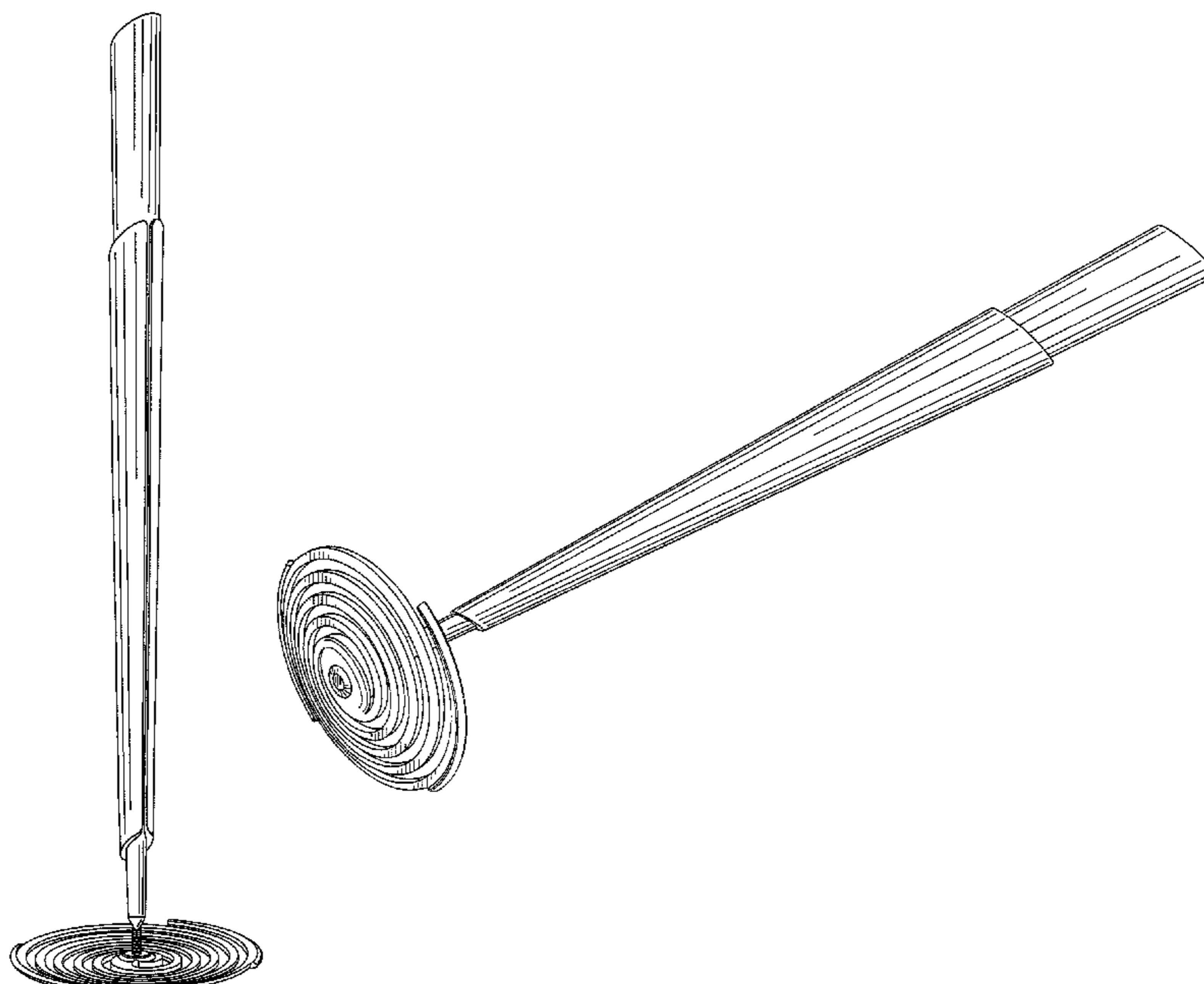
FIG. 4 is a greatly enlarged bottom view thereof.

FIG. 5 is a greatly enlarged top view thereof; and,

FIG. 6 is a perspective front, bottom and right side view thereof, the corresponding perspective front, top and left side view being a mirror image thereof.

The broken lines in FIG. 1, showing two replaceable portions which are located over the shaft end and head areas, is for the purpose of illustrating a ready-to-use brushware and forms no part of the claimed design.

**1 Claim, 3 Drawing Sheets**



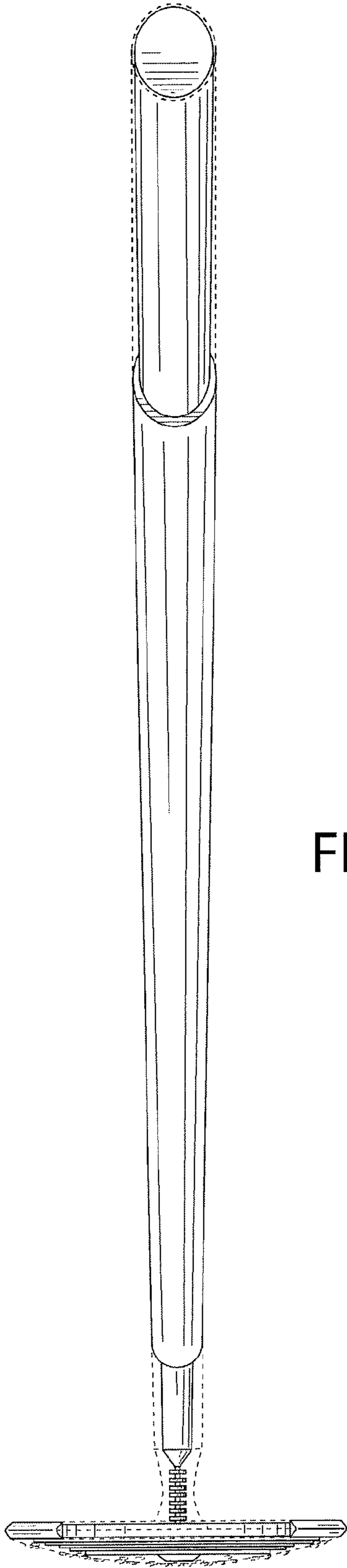


FIG. 1

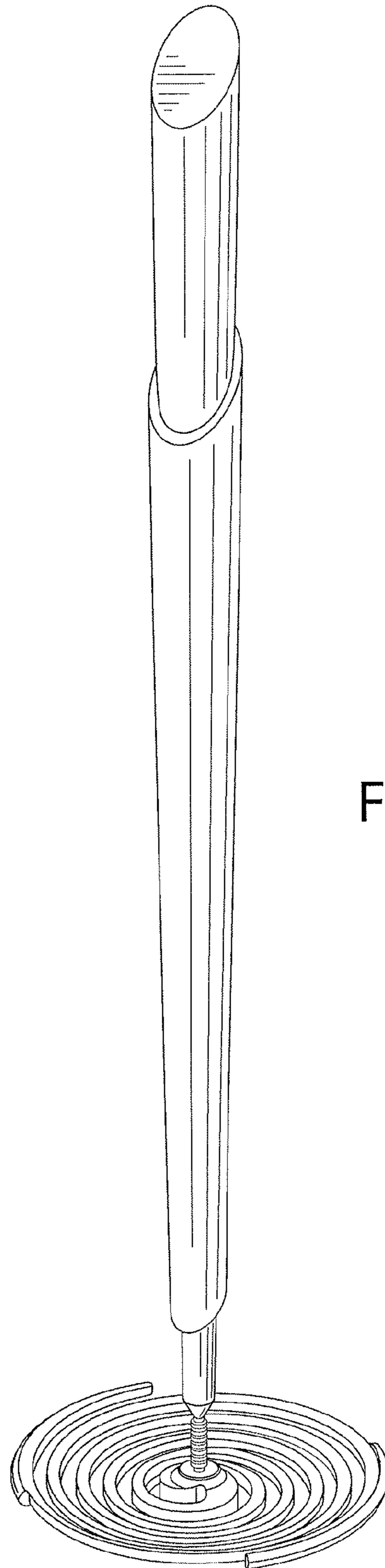


FIG. 2

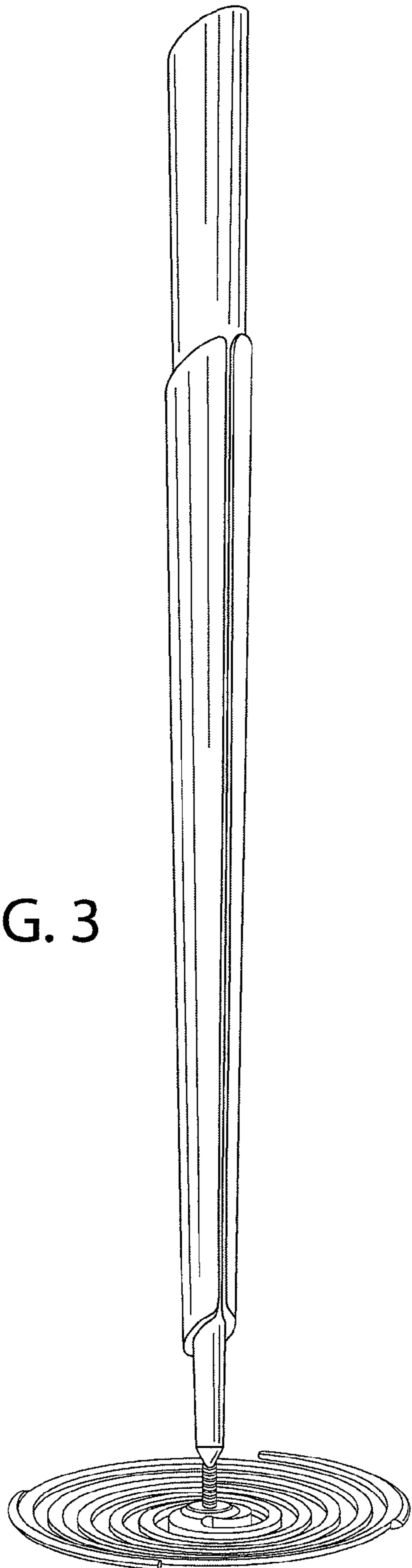


FIG. 3

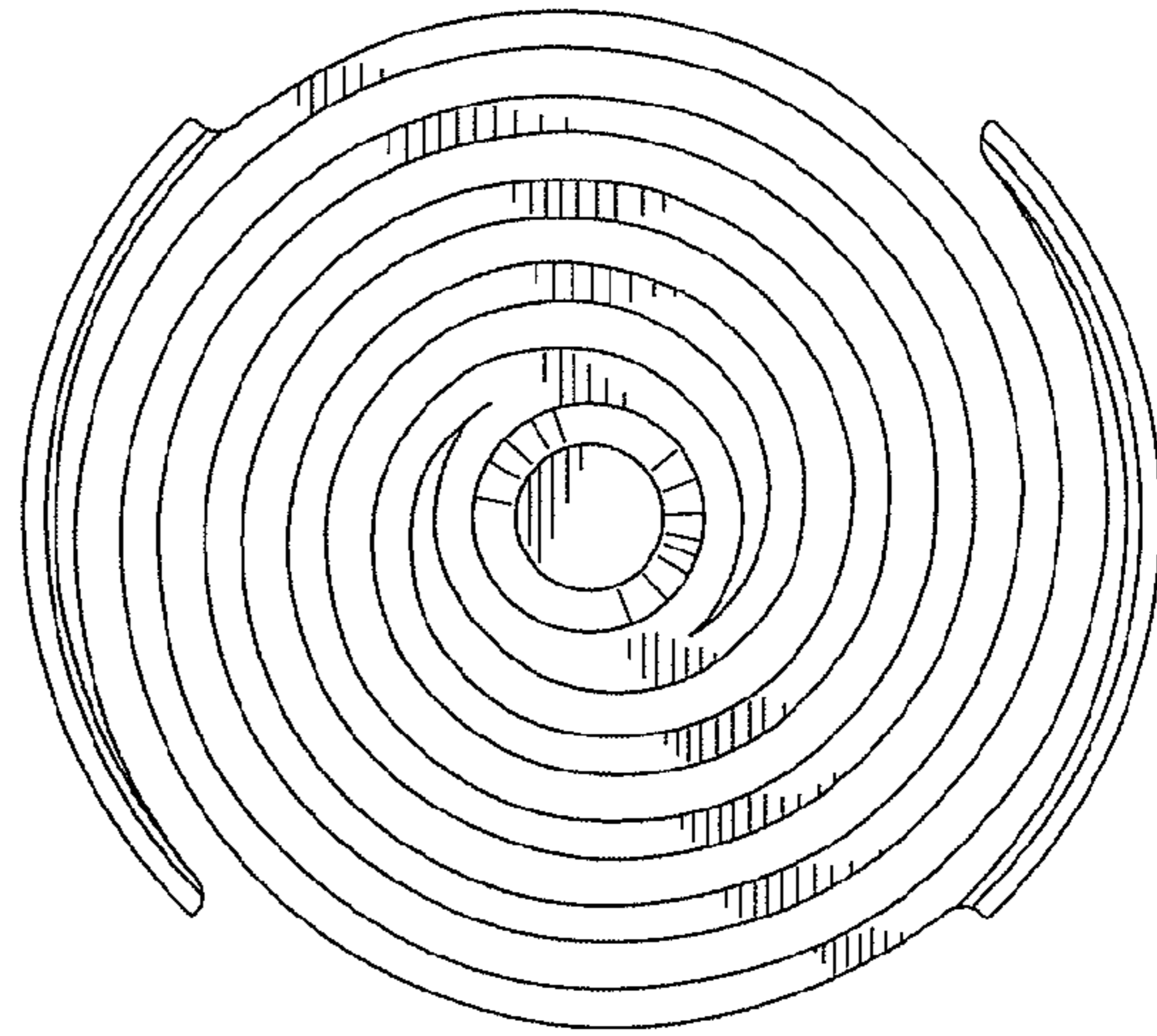


FIG. 4

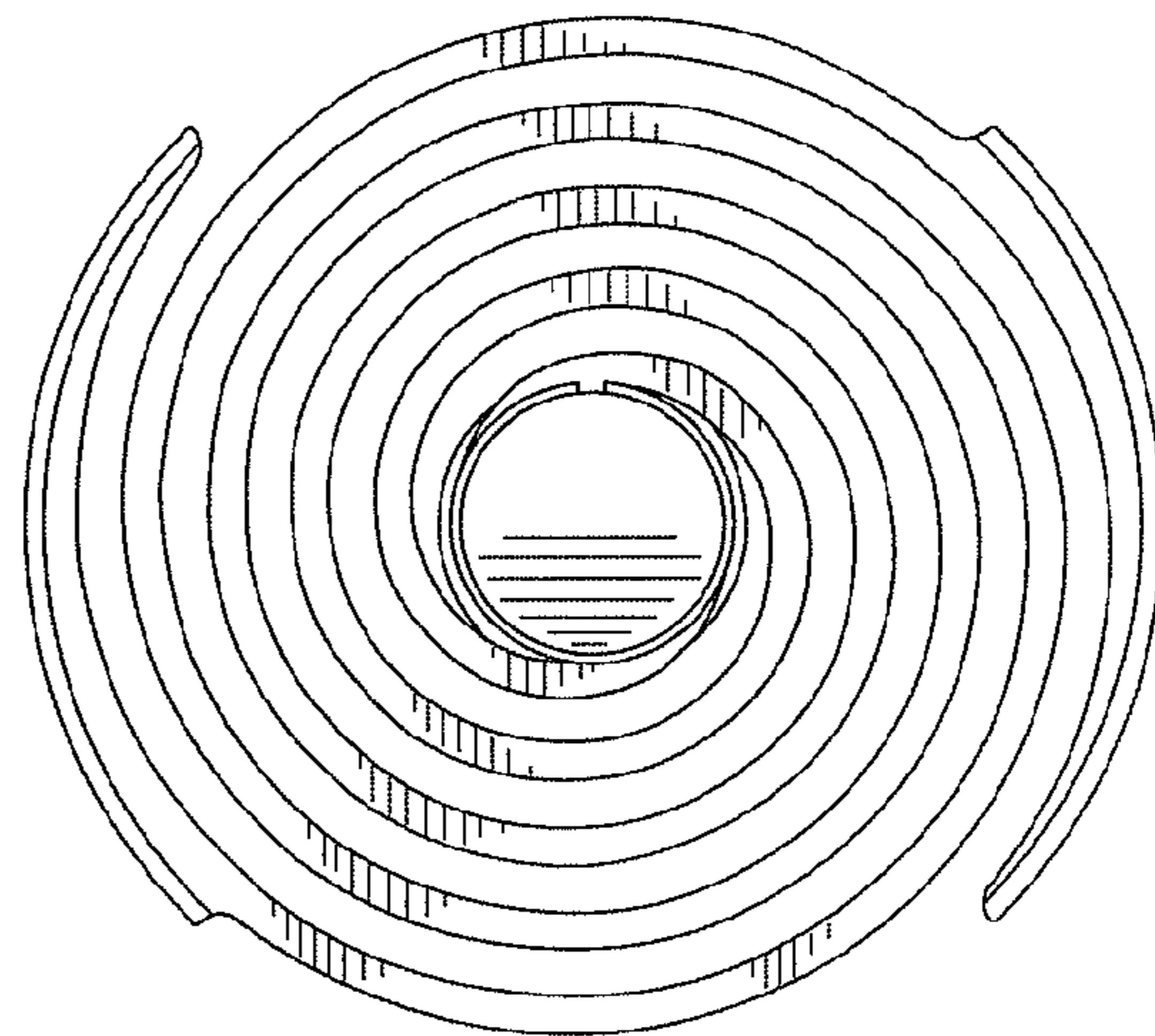


FIG. 5

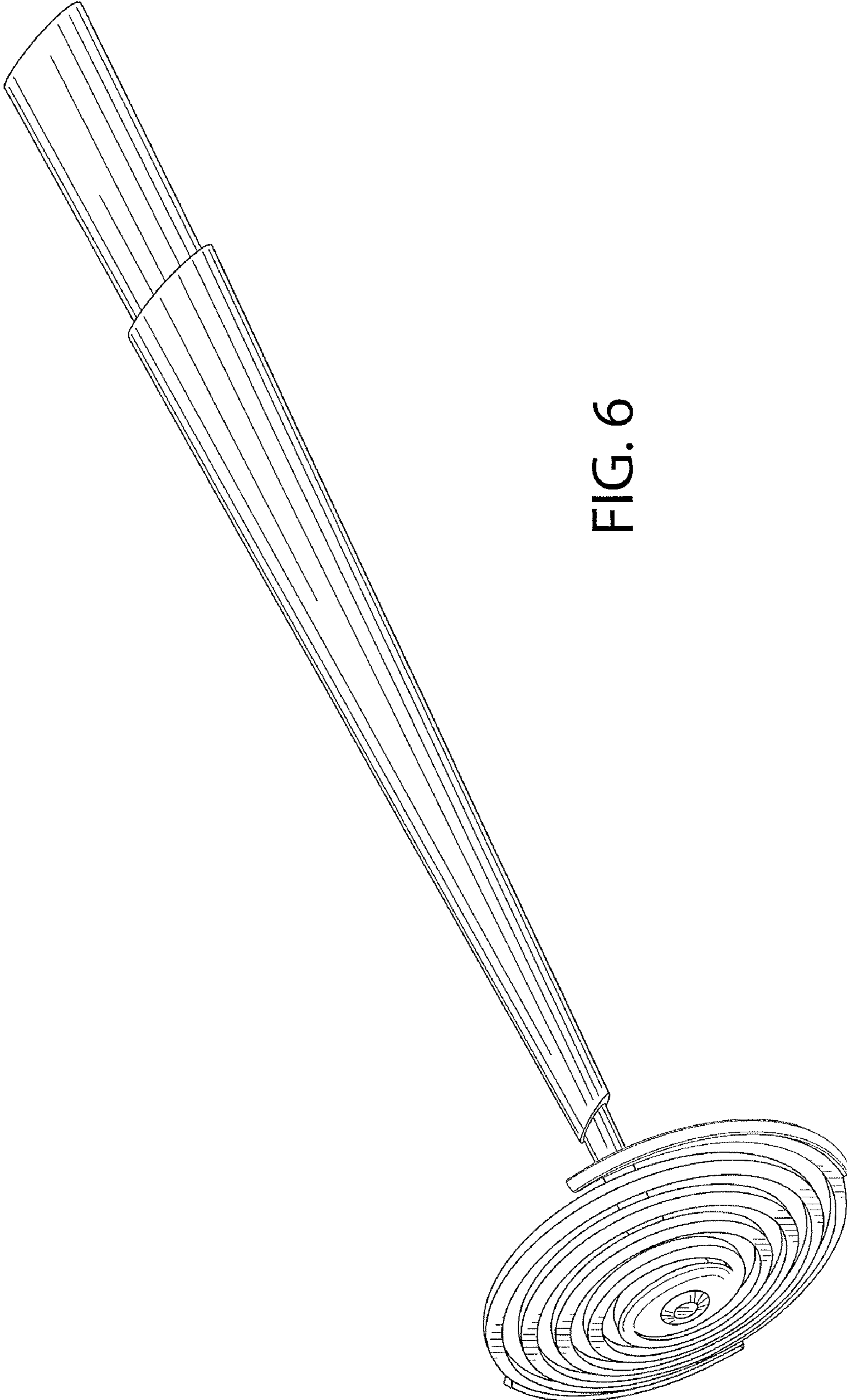


FIG. 6