



US00D621159S

(12) **United States Design Patent**
Ito et al.

(10) **Patent No.:** **US D621,159 S**

(45) **Date of Patent:** **** Aug. 10, 2010**

(54) **TOOTHBRUSH**

KR 30-0299555-1 S * 12/2002

(75) Inventors: **Takayuki Ito**, Tokyo (JP); **Toyokazu Mori**, Takatsuki (JP)

* cited by examiner

(73) Assignee: **Sunstar Suisse SA**, Ecublens (CH)

Primary Examiner—Melanie H Tung

Assistant Examiner—Lavone D Tabor

(**) Term: **14 Years**

(74) *Attorney, Agent, or Firm*—Kratz, Quintos & Hanson, LLP

(21) Appl. No.: **29/272,074**

(57) **CLAIM**

(22) Filed: **Feb. 1, 2007**

The ornamental design for a toothbrush, as shown and described.

(30) **Foreign Application Priority Data**

Aug. 2, 2006 (JP) 2006-020335

DESCRIPTION

(51) **LOC (9) Cl.** **04-02**

FIG. 1 is a front view of the toothbrush of the present invention;

(52) **U.S. Cl.** **D4/104**

FIG. 2 is a back view thereof;

(58) **Field of Classification Search** D4/101,
D4/104–112, 132–134, 136, 138; 15/143.1,
15/167.1, 167.2; 132/308–311; 601/139,
601/141; 16/430, 431

FIG. 3 is a plane view thereof;

See application file for complete search history.

FIG. 4 is an enlarged left side view thereof;

FIG. 5 is an enlarged right side view thereof;

(56) **References Cited**

FIG. 6 is an enlarged cross-sectional view thereof along lines 6—6 shown in FIG. 1;

U.S. PATENT DOCUMENTS

FIG. 7 is an enlarged cross-sectional view thereof along lines 7—7 shown in FIG. 1;

D427,437 S * 7/2000 Vonarburg D4/104
D438,706 S * 3/2001 Senyuva et al. D4/104
D471,362 S * 3/2003 Moskovich et al. D4/104
D478,425 S * 8/2003 Ping D4/104
D506,873 S * 7/2005 Kling D4/104
7,047,591 B2 * 5/2006 Hohlbein 15/143.1
D533,350 S * 12/2006 Xi D4/104
D533,351 S * 12/2006 Wong D4/104

FIG. 8 is an enlarged cross-sectional view thereof along lines 8—8 shown in FIG. 1; and,

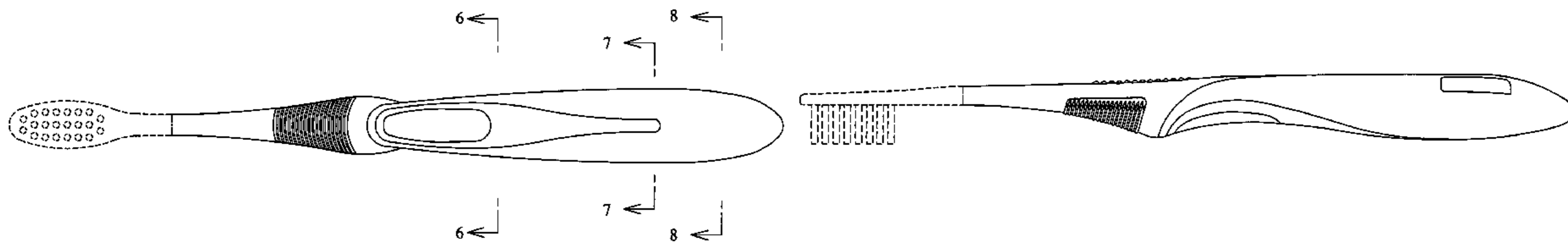
FOREIGN PATENT DOCUMENTS

JP 2002336049 A * 11/2002

FIG. 9 is a perspective view thereof.

The broken line showing of a bristled head is included for the purpose of illustrating a portion of the article that forms no part of the claimed design.

1 Claim, 7 Drawing Sheets



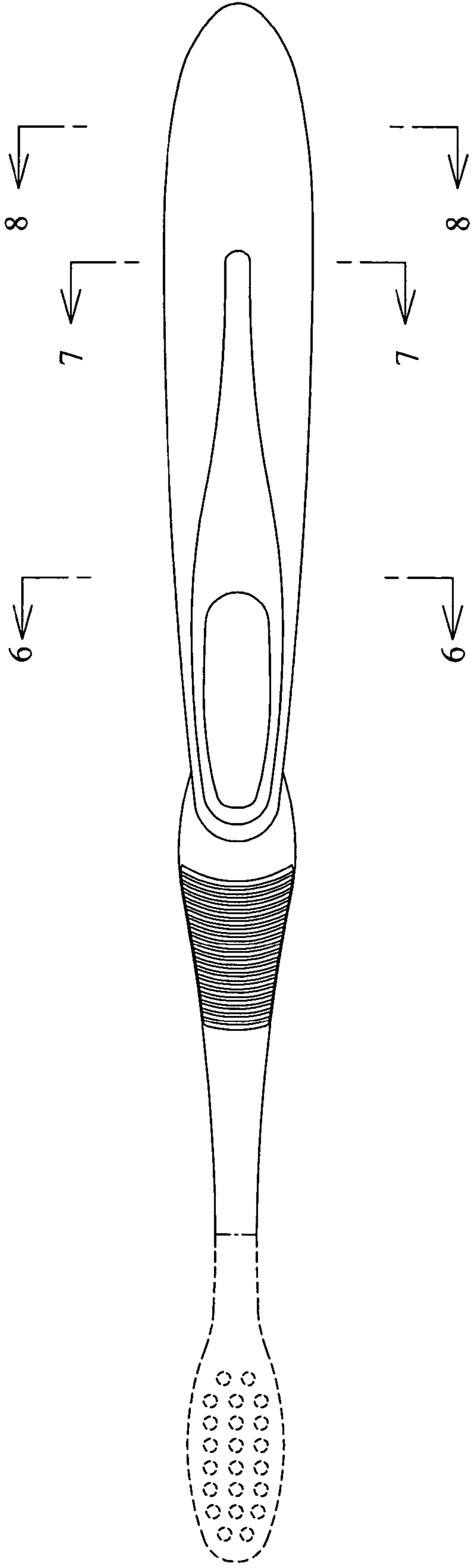


FIG.1

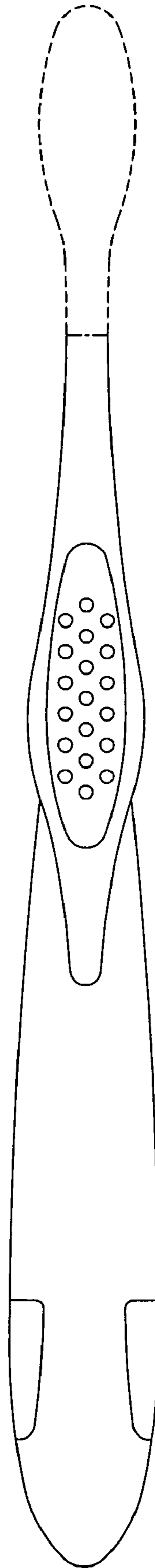


FIG.2

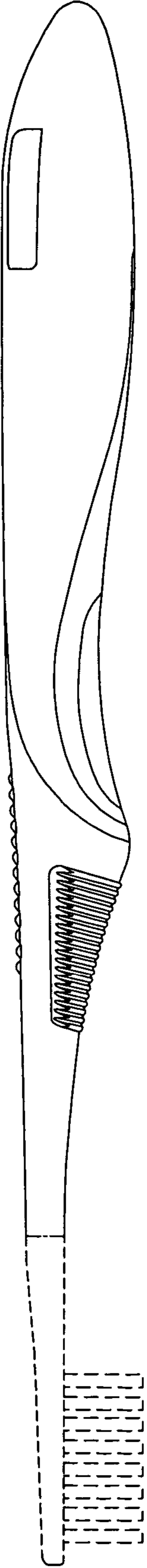


FIG.3

FIG.4

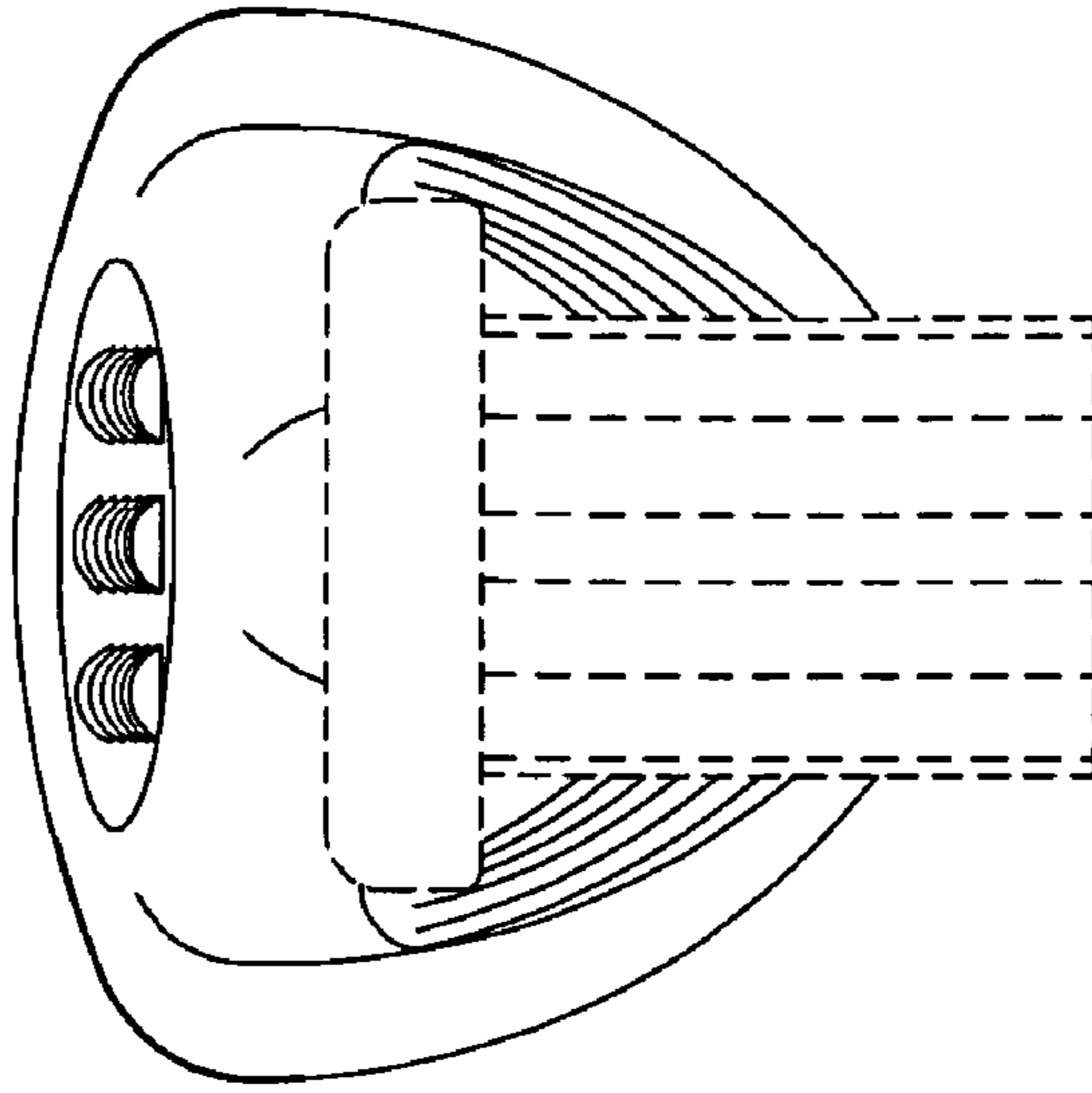


FIG.5

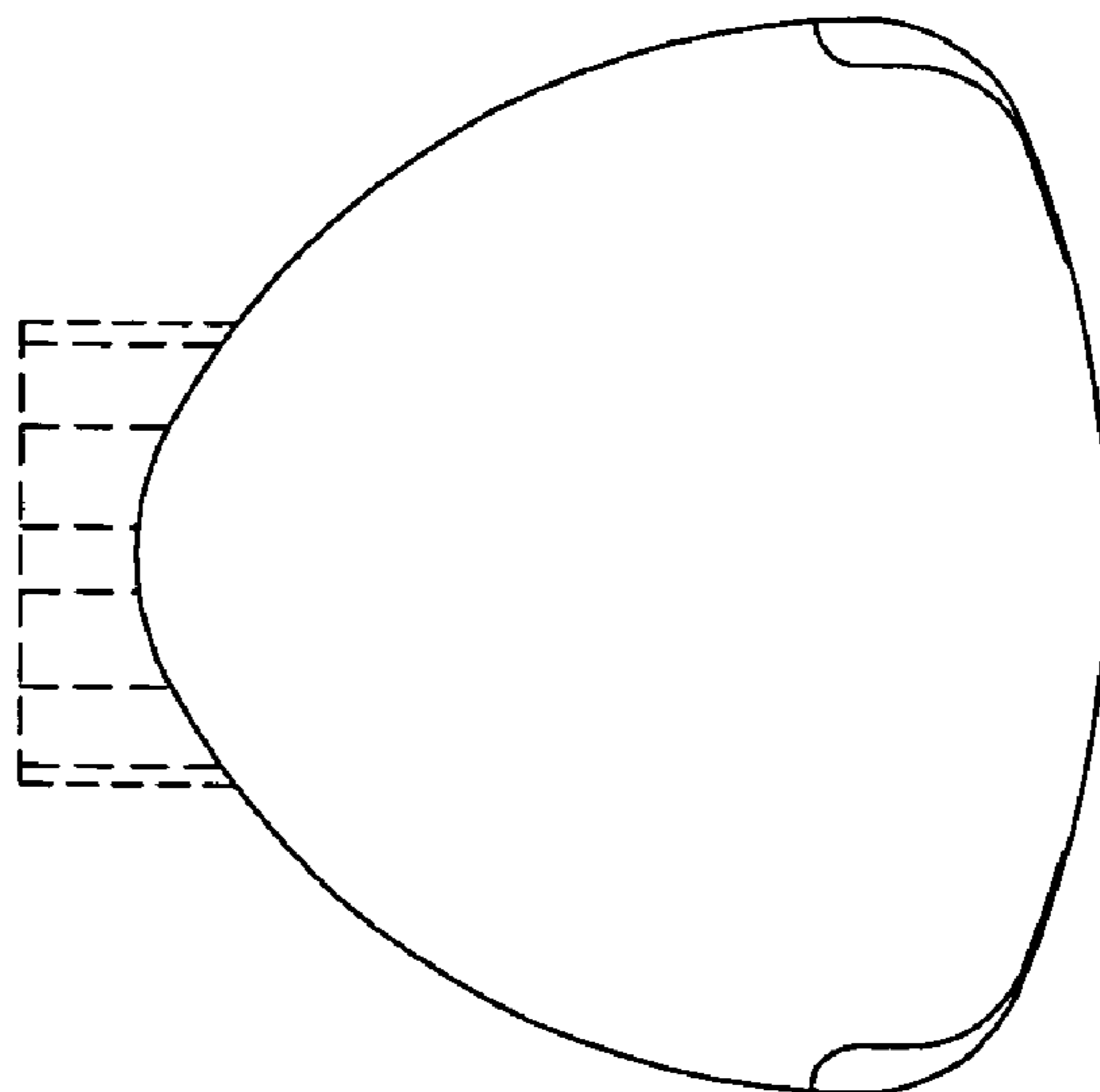


FIG.6

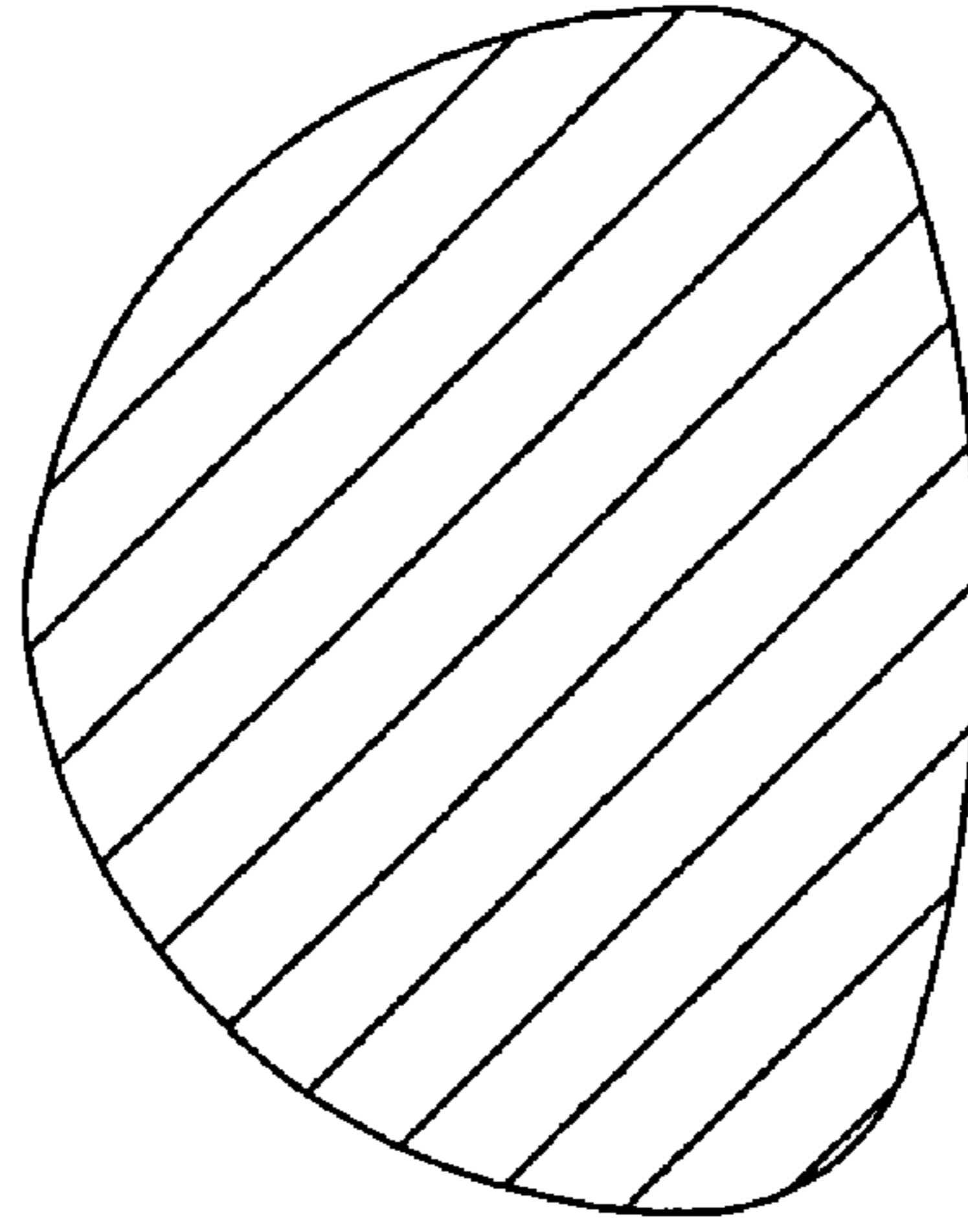


FIG.7

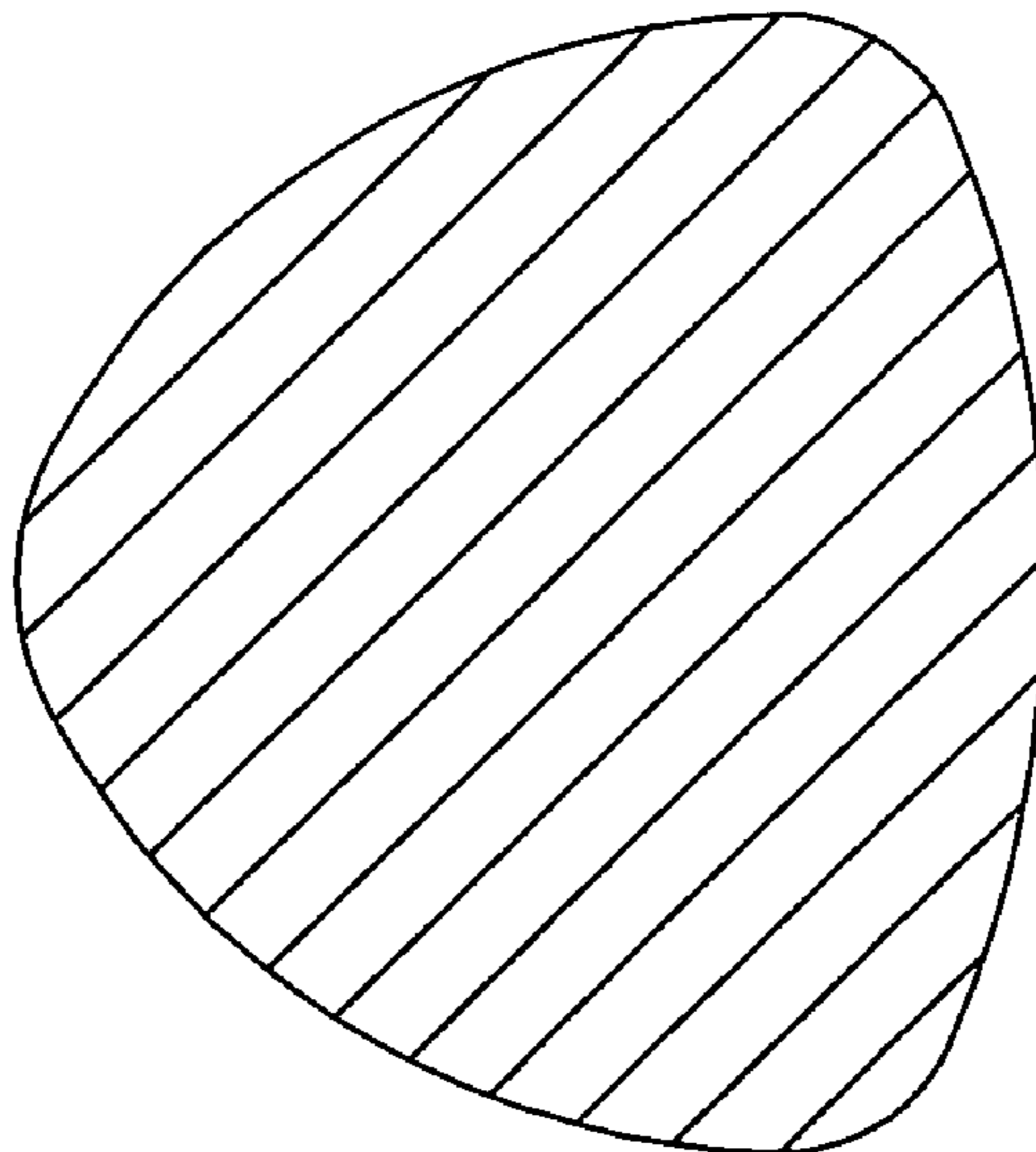


FIG. 8

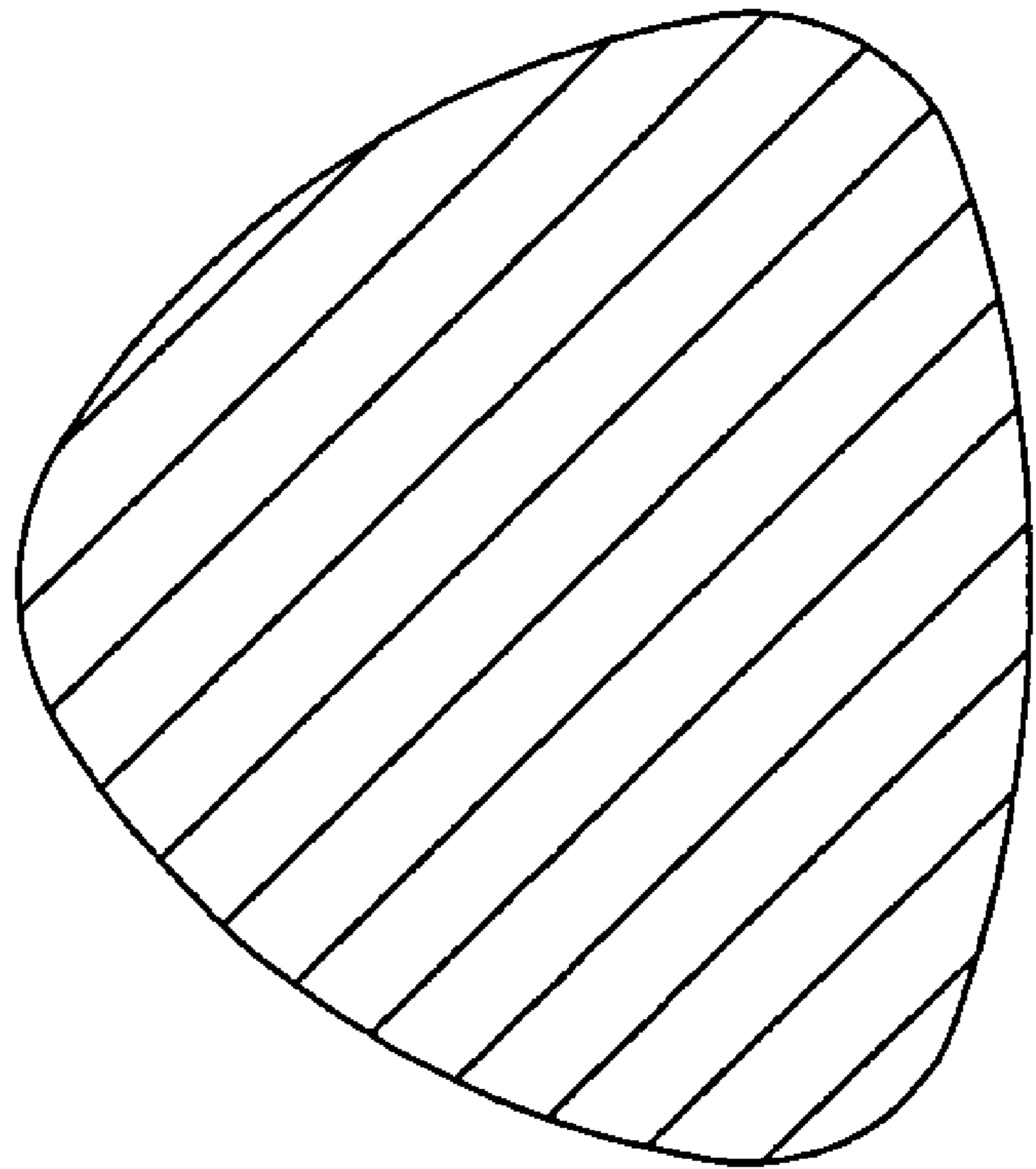


FIG. 9

