



US00D621157S

(12) **United States Design Patent**
Achilles

(10) **Patent No.:** **US D621,157 S**

(45) **Date of Patent:** **** Aug. 10, 2010**

(54) **COMBINED BAG CLOSURE AND HANGER FOR SHOPPING CARTS**

7,097,223 B1 * 8/2006 Bradford 294/137
7,377,568 B2 * 5/2008 Moses 294/170

(76) Inventor: **Dieter Achilles**, Bahnhofstrasse 141,
New-Isenburg (DE) 63263

* cited by examiner

Primary Examiner—Holly H Baynham

Assistant Examiner—Sheryl Lane

(74) *Attorney, Agent, or Firm*—Dority & Manning, P.A.

(**) Term: **14 Years**

(21) Appl. No.: **29/341,615**

(57) **CLAIM**

(22) Filed: **Aug. 10, 2009**

The ornamental design for a combined bag closure and hanger for shopping carts, as shown and described.

(30) **Foreign Application Priority Data**

Feb. 16, 2009 (EM) 001089098-0001

DESCRIPTION

(51) **LOC (9) Cl.** **03-01**

FIG. 1 is a top plan view of the present invention with environmental structure shown in phantom (broken line).

(52) **U.S. Cl.** **D3/323**

FIG. 2 is a bottom plan view of the present invention with environmental structure shown in phantom (broken line).

(58) **Field of Classification Search** D3/323,
D3/318; 383/10, 77, 33, 17, 27; D9/434;
294/170, 137, 142; 224/257

FIG. 3 is a front view of the present invention, the opposite back plan view being a mirror image of the front with environmental structure shown in phantom (broken line).

See application file for complete search history.

FIG. 4 is a plan view of the left side of the present invention, the opposite right side plan view being a mirror image of the left side with environmental structure shown in phantom (broken line).

(56) **References Cited**

U.S. PATENT DOCUMENTS

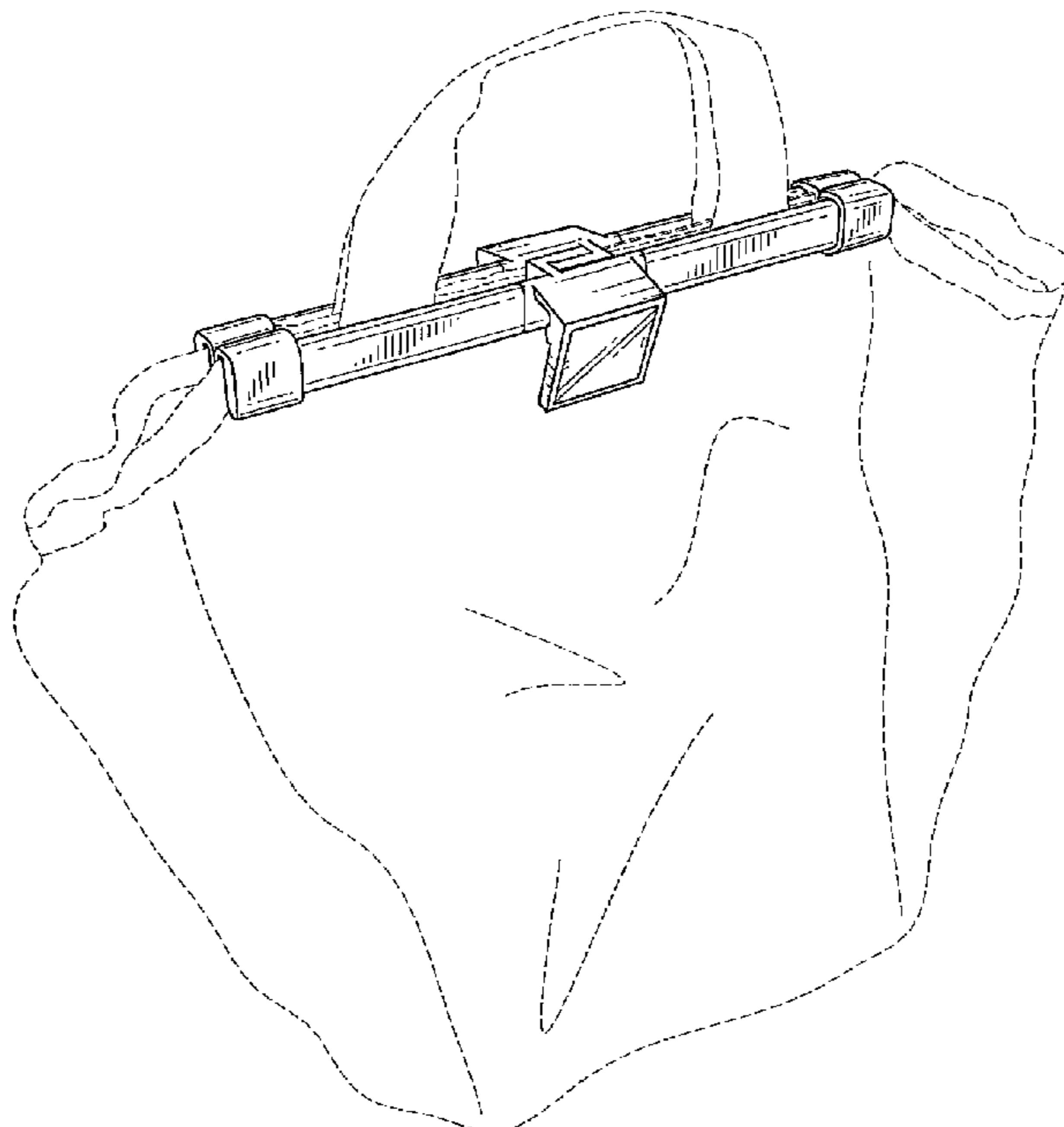
D253,502 S * 11/1979 Young D8/316
D257,297 S * 10/1980 Keller D8/316
4,450,580 A * 5/1984 Lindsay 383/6
D337,053 S * 7/1993 Oden D9/434
D372,425 S * 8/1996 Kirkwood D9/434
D375,838 S * 11/1996 Ostrow D3/324
5,615,921 A * 4/1997 Marley et al. 294/170
D412,116 S * 7/1999 DuCorday D9/443
5,921,601 A * 7/1999 Buckles 294/142
D415,683 S * 10/1999 DuCorday D9/443
D416,386 S * 11/1999 Vazquez D3/323
D423,223 S * 4/2000 Conway D3/323
D447,413 S * 9/2001 DuCorday D9/443
6,678,923 B2 * 1/2004 Goldberg et al. 24/30.5 R

FIG. 5 is an elevated perspective view with environmental structure shown in phantom (broken line); and,

FIG. 6 is an elevated perspective view of the claim shown in an alternate position with environmental structure shown in phantom (broken lines).

The broken line showing of the shopping bag and shopping cart are included for the purpose of showing environmental structure and forms no part of the claimed design.

1 Claim, 6 Drawing Sheets



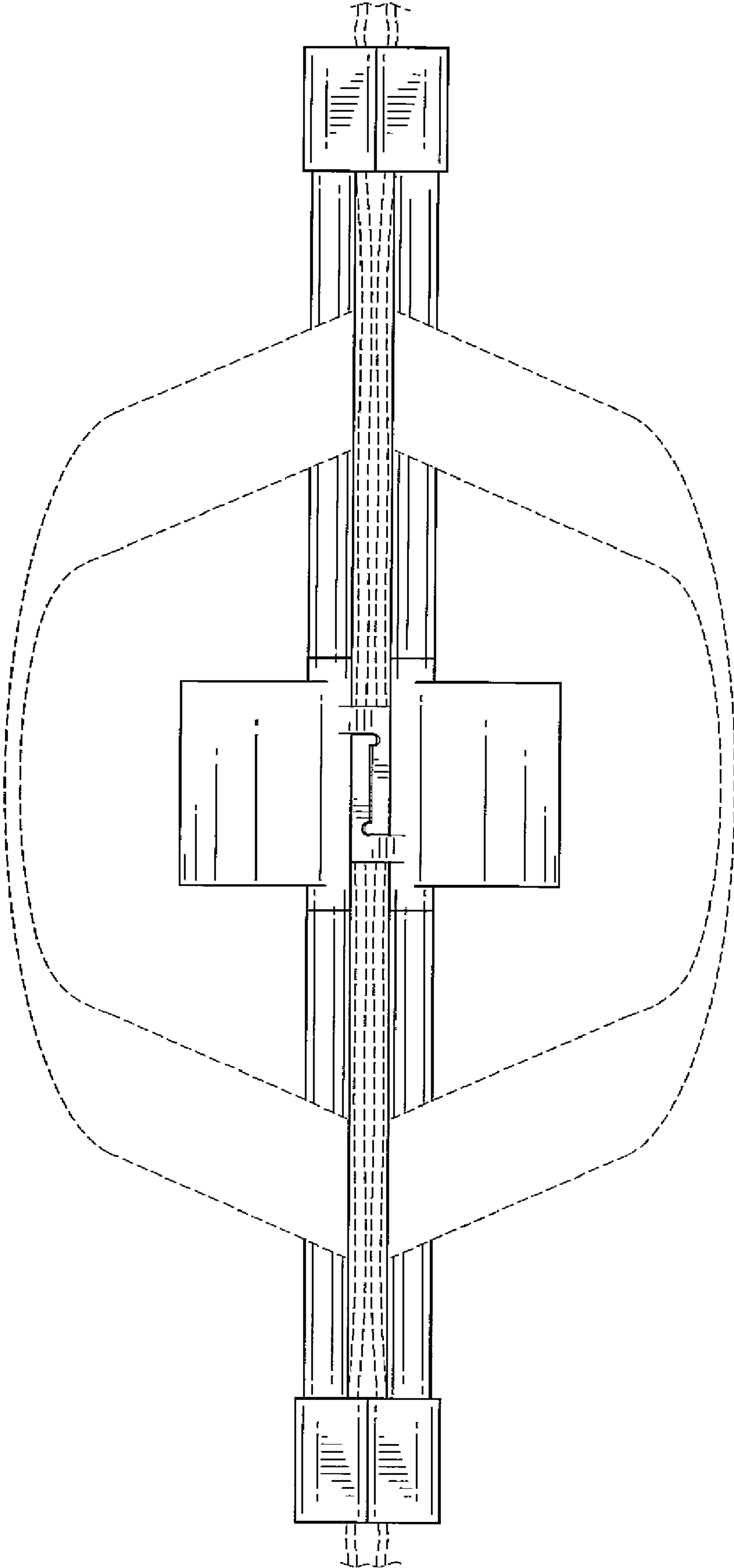


FIG. 1

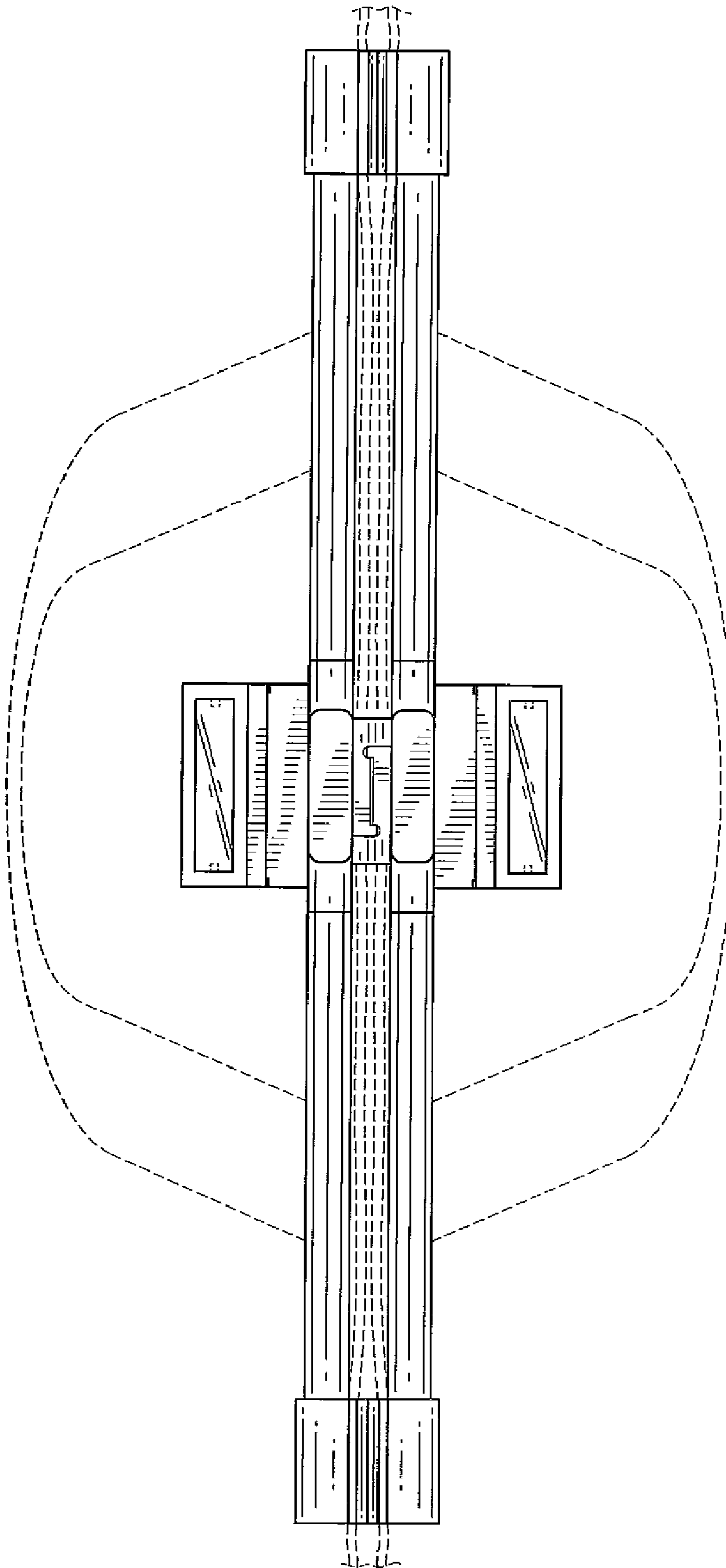


FIG.2

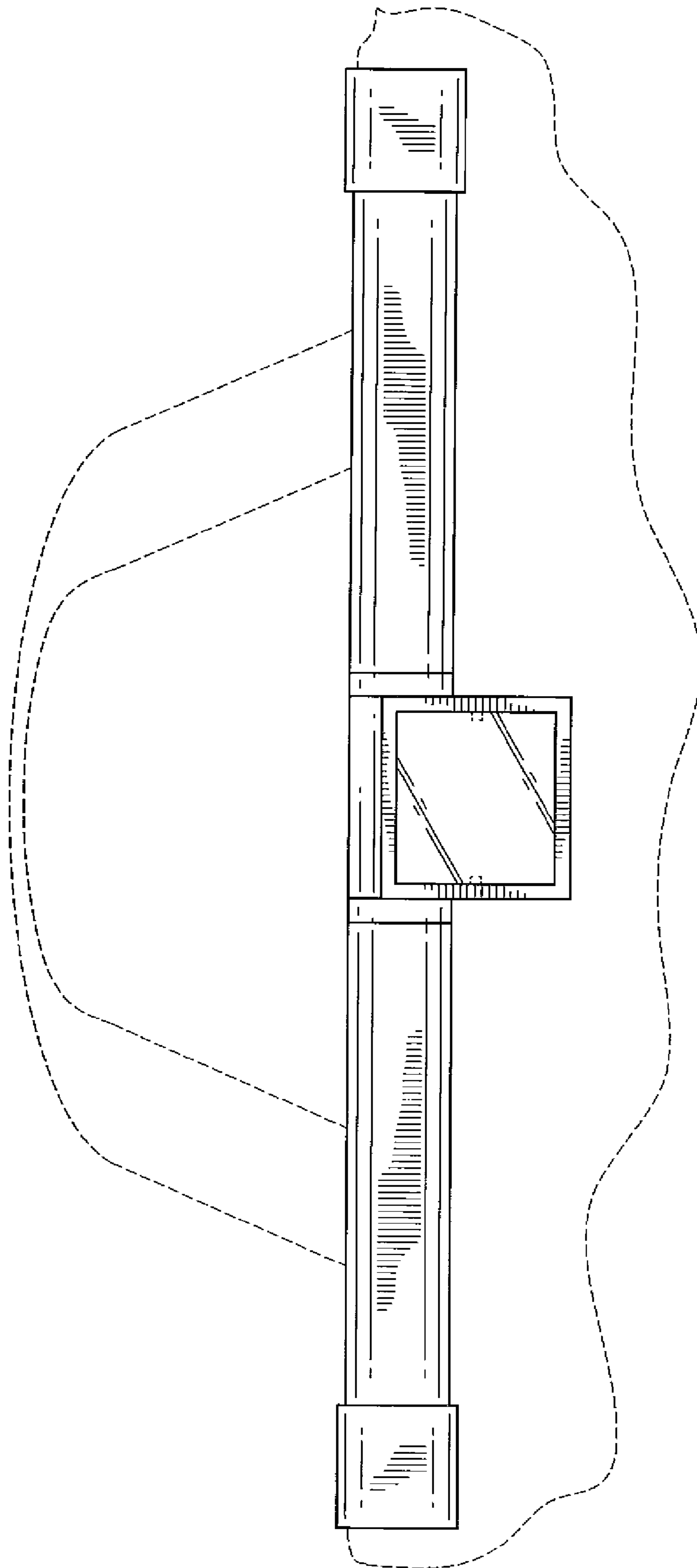


FIG.3

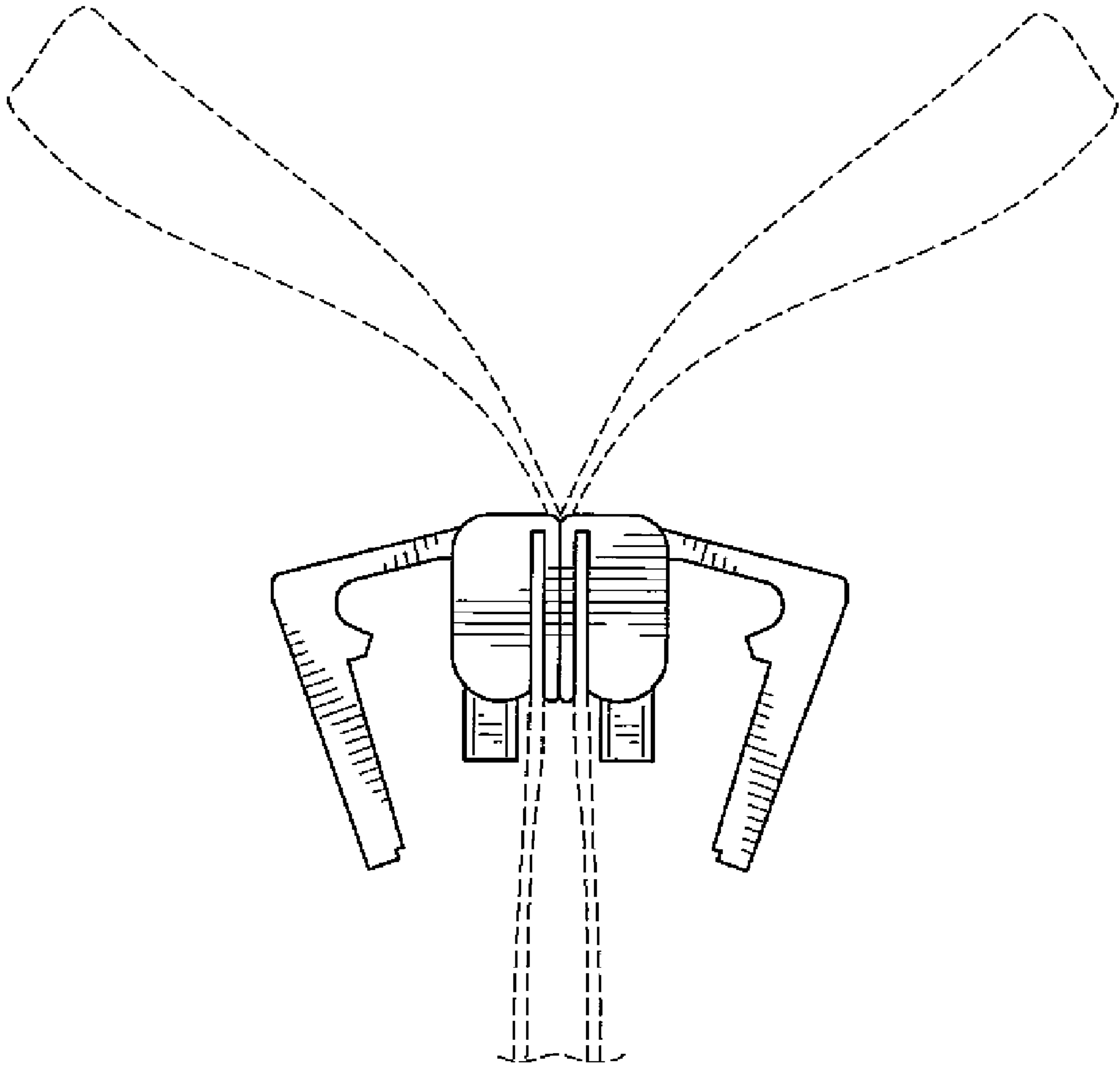


FIG.4

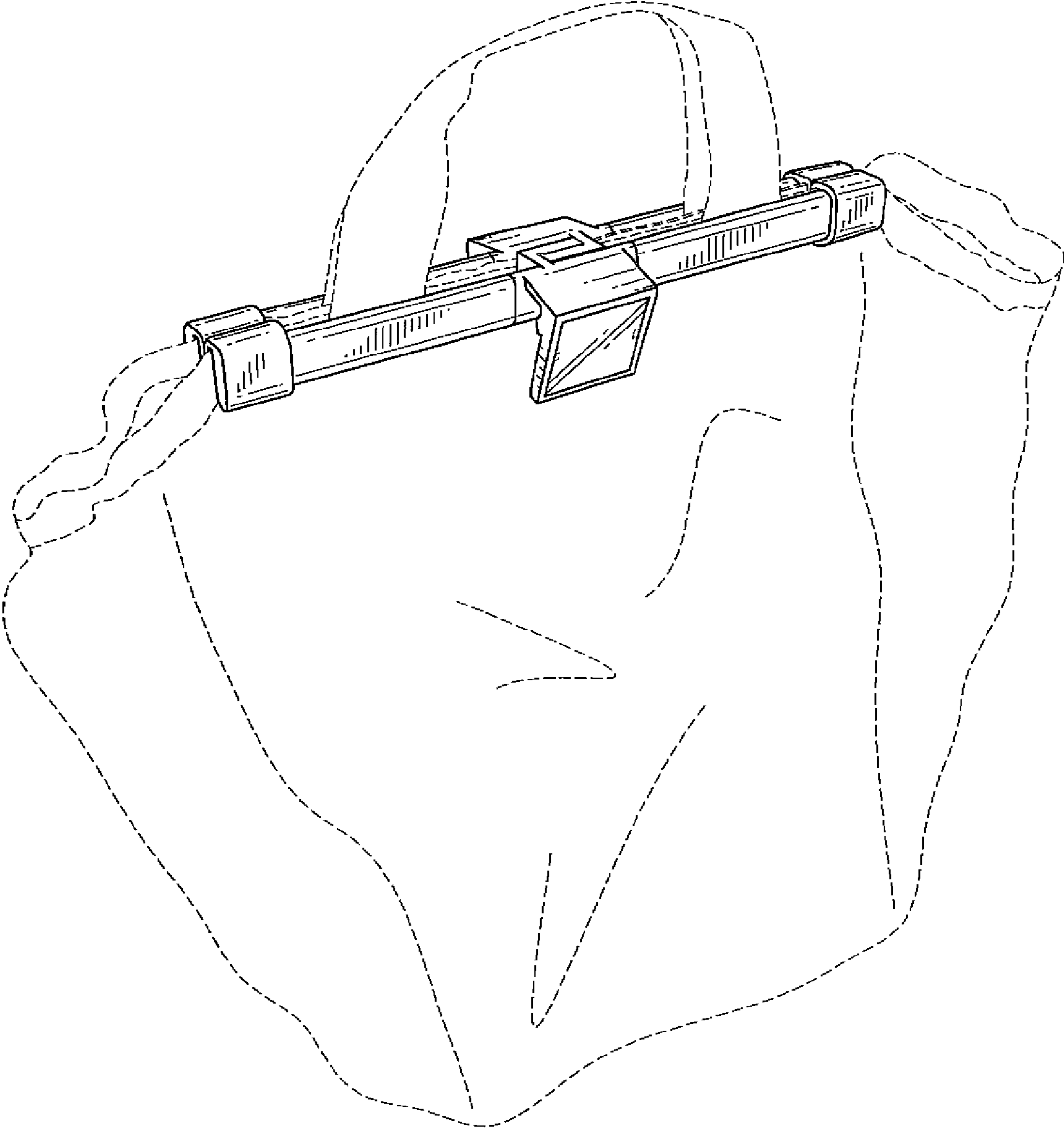


FIG. 5

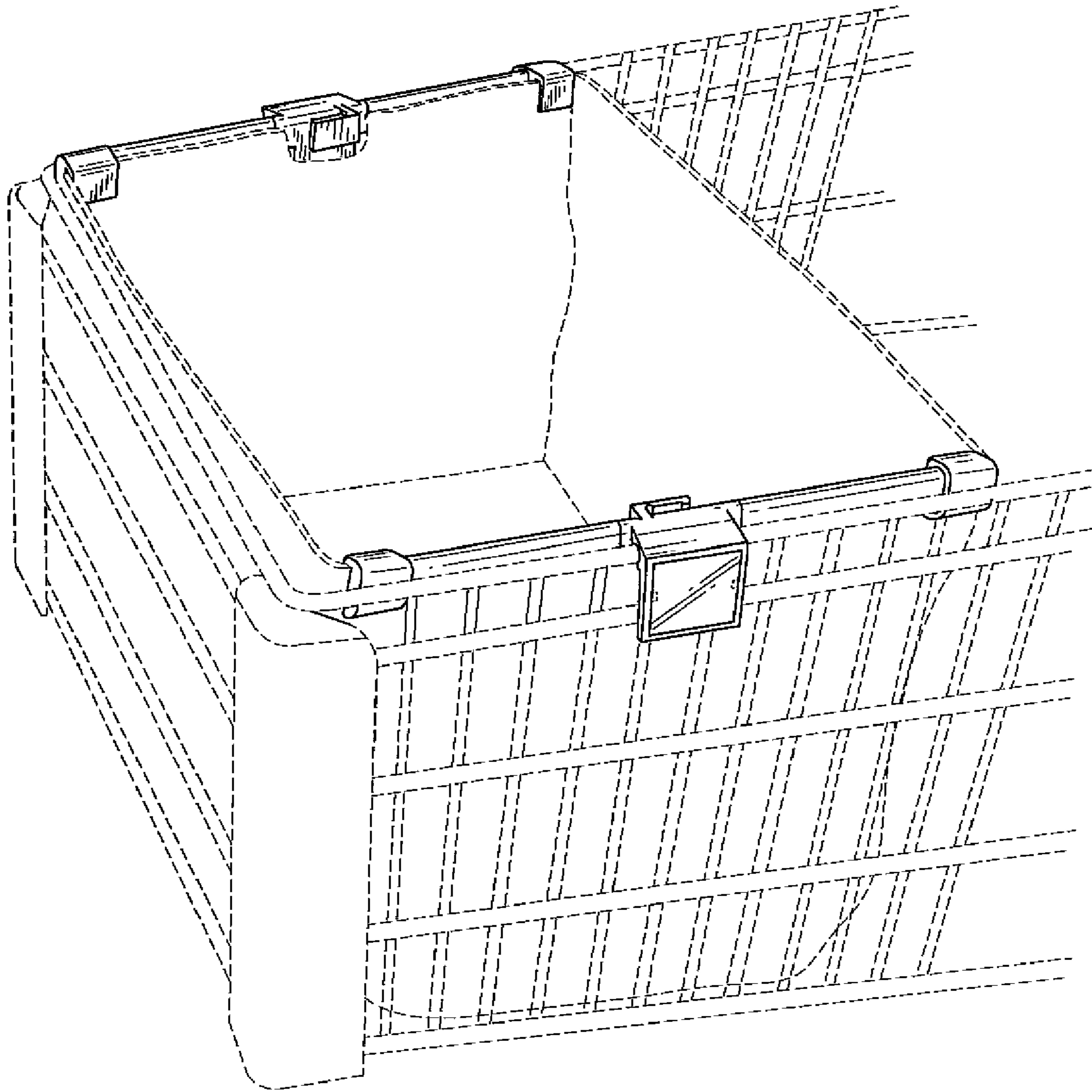


FIG.6