



US00D621155S

(12) **United States Design Patent**
Francesconi

(10) **Patent No.:** **US D621,155 S**

(45) **Date of Patent:** **** Aug. 10, 2010**

(54) **SAW BLADE CARRYING CASE**

(75) Inventor: **Paolo Francesconi**, San Lorenzo in Campo-Pu (IT)

(73) Assignee: **C.M.T. Utensili S.p.A.**, Pesaro (IT)

(**) Term: **14 Years**

(21) Appl. No.: **29/340,917**

(22) Filed: **Jul. 28, 2009**

(51) **LOC (9) Cl.** **03-01**

(52) **U.S. Cl.** **D3/315**

(58) **Field of Classification Search** D3/201,
D3/315, 316, 318, 243, 269, 905; 206/349,
206/303, 372, 373, 461, 463, 470, 471; D9/415,
D9/418

See application file for complete search history.

(56) **References Cited**

U.S. PATENT DOCUMENTS

D271,918 S *	12/1983	Ramirez	D3/282
D314,471 S *	2/1991	Lueth	D3/315
D320,697 S *	10/1991	Eggan	D3/315
D338,337 S *	8/1993	Roe, Jr.	D3/315
D397,934 S	9/1998	Giulianelli		
6,029,815 A *	2/2000	Ali	206/349
D466,692 S *	12/2002	Hargrave-Thomas	D3/315

6,729,468 B1 *	5/2004	Dobmeier	206/303
7,191,898 B1 *	3/2007	Williams	206/303
D555,358 S *	11/2007	King	D3/293
D590,152 S *	4/2009	Reines	D3/273
2007/0095688 A1 *	5/2007	Curtsinger et al.	206/349
2009/0261005 A1 *	10/2009	Kasubowski et al.	206/349
2010/0072093 A1 *	3/2010	Cross	206/349

* cited by examiner

Primary Examiner—Prabhakar Deshmukh

(74) *Attorney, Agent, or Firm*—Frommer Lawrence & Haug LLP; Paul Levy

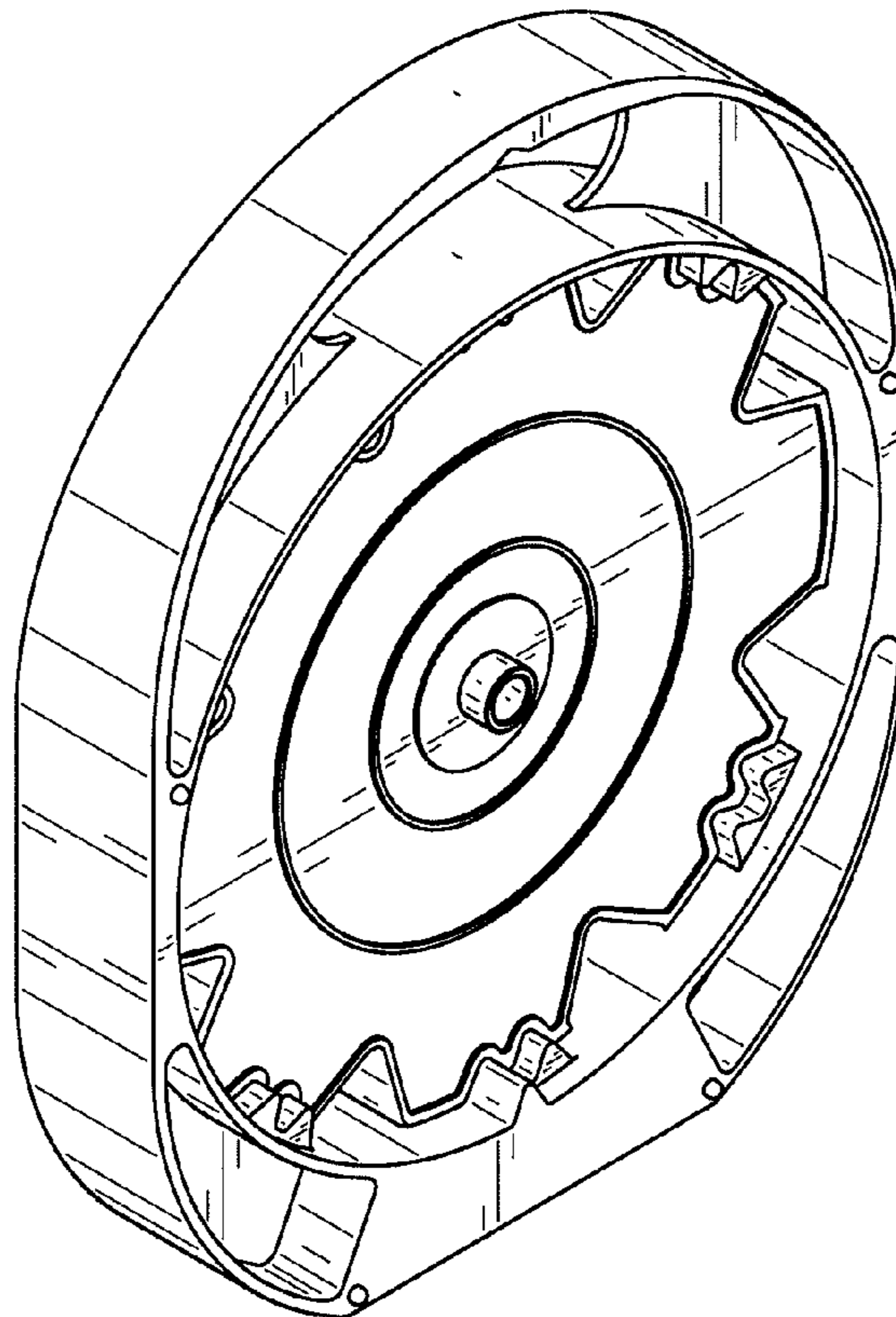
(57) **CLAIM**

The ornamental design for a saw blade carrying case, as shown and described.

DESCRIPTION

FIG. 1 is a front elevation view of the saw blade carrying case;
 FIG. 2 is a rear elevation view thereof;
 FIG. 3 is a left elevation view thereof, the right elevation view being the same;
 FIG. 4 is a bottom plan view thereof;
 FIG. 5 is a top plan view thereof;
 FIG. 6 is a front perspective view thereof; and,
 FIG. 7 is a back perspective view thereof.

1 Claim, 6 Drawing Sheets



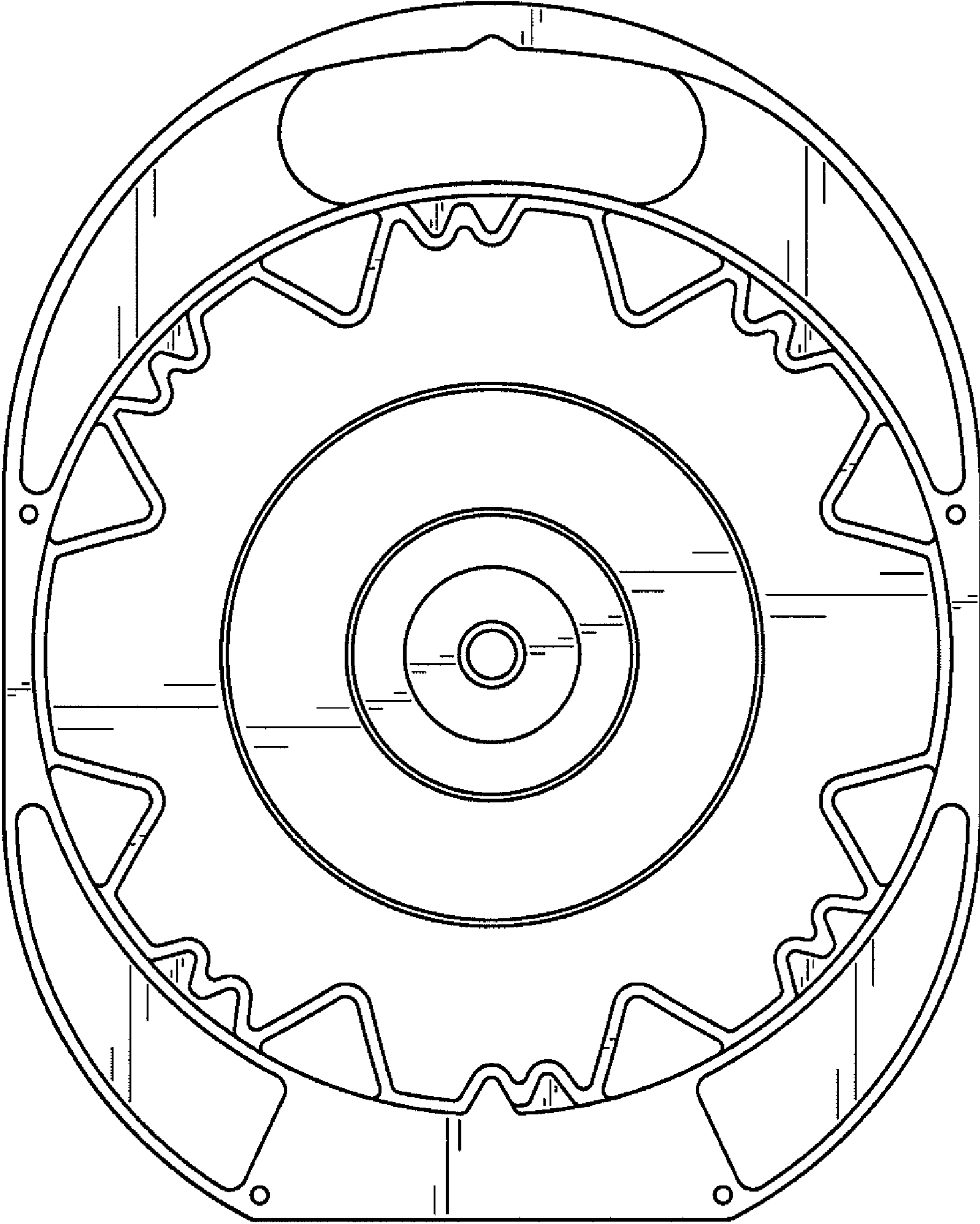


FIG. 1

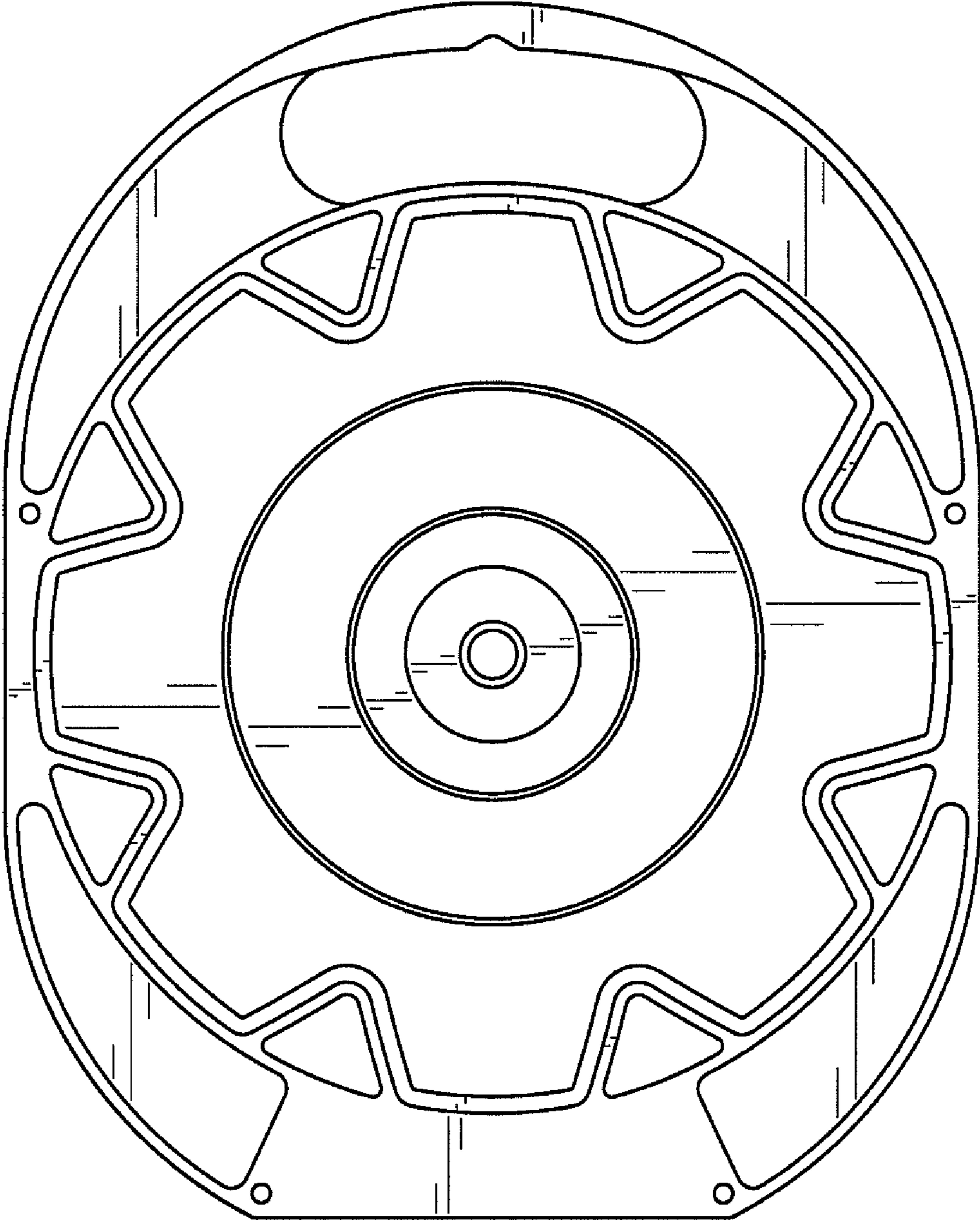


FIG. 2

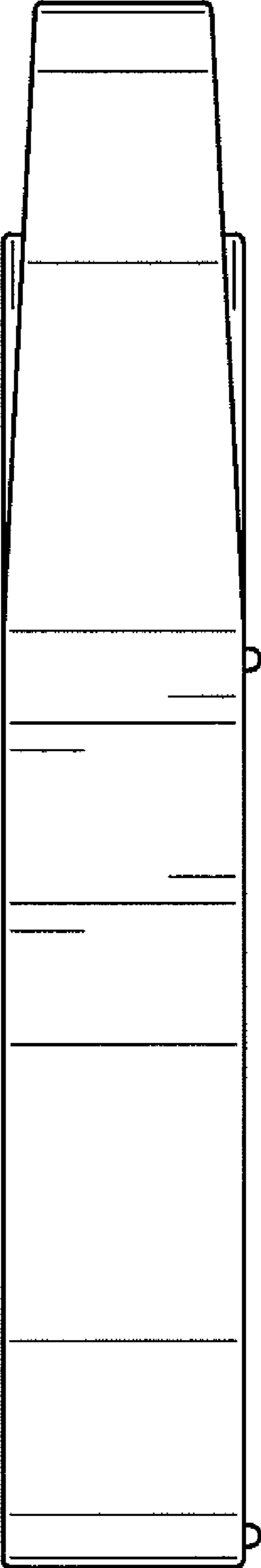


FIG. 3

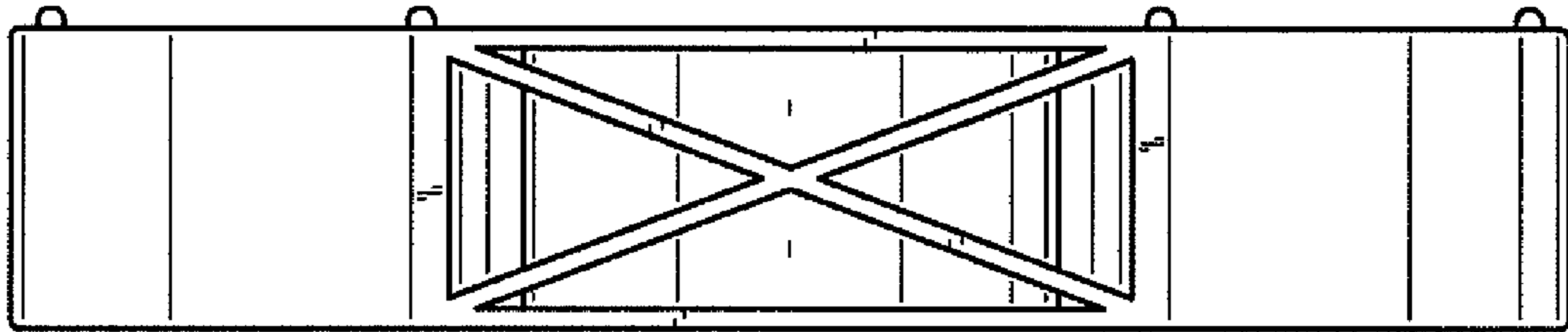


FIG. 4

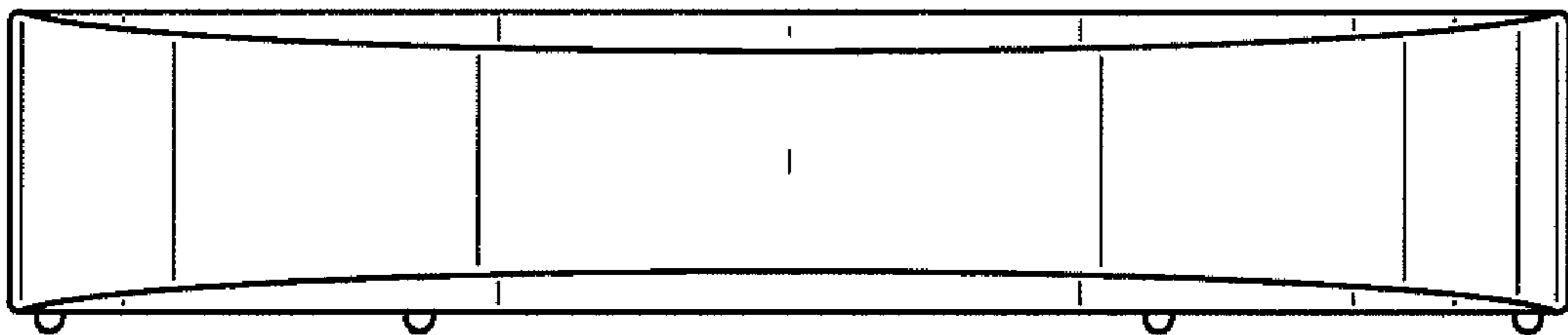


FIG. 5

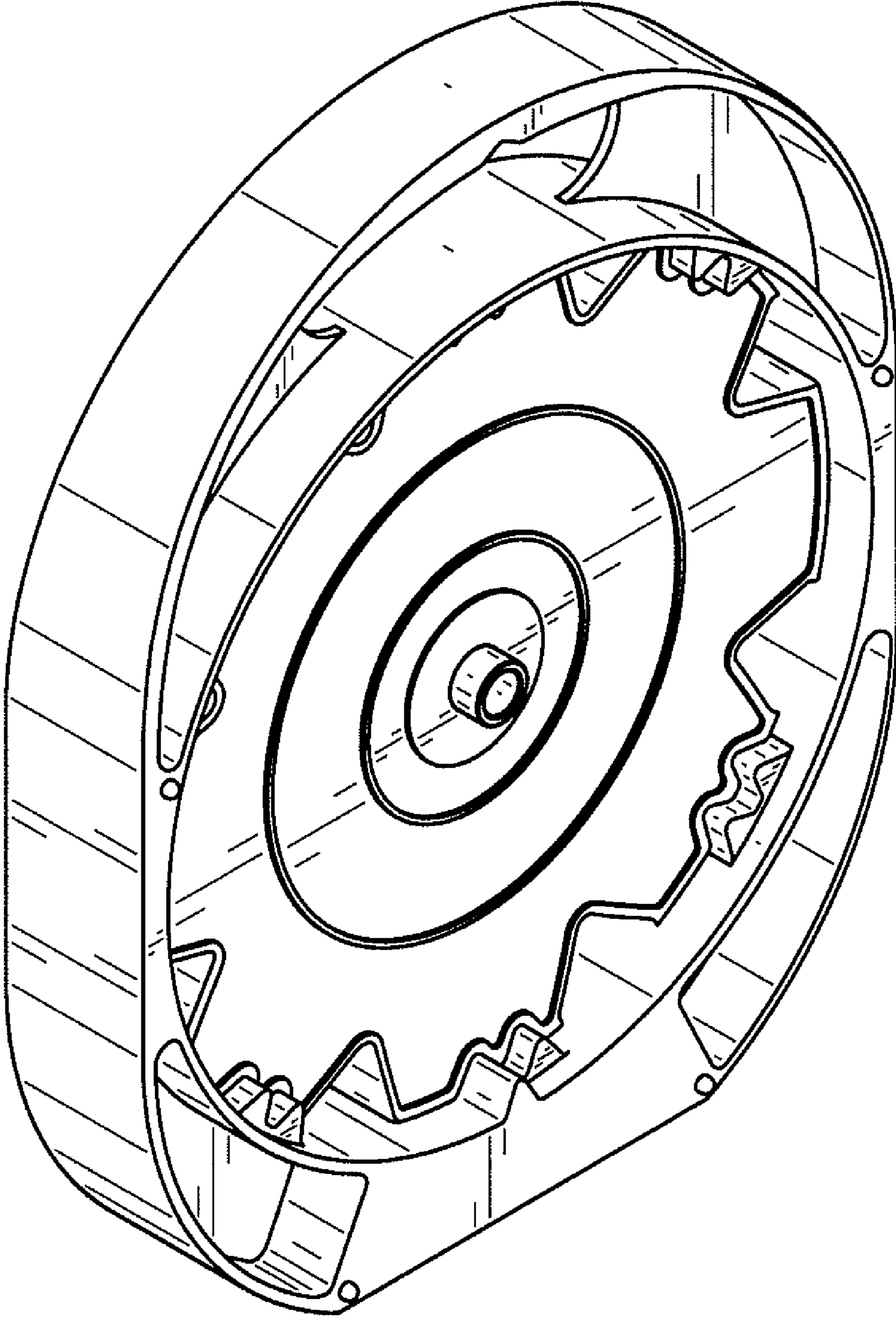


FIG. 6

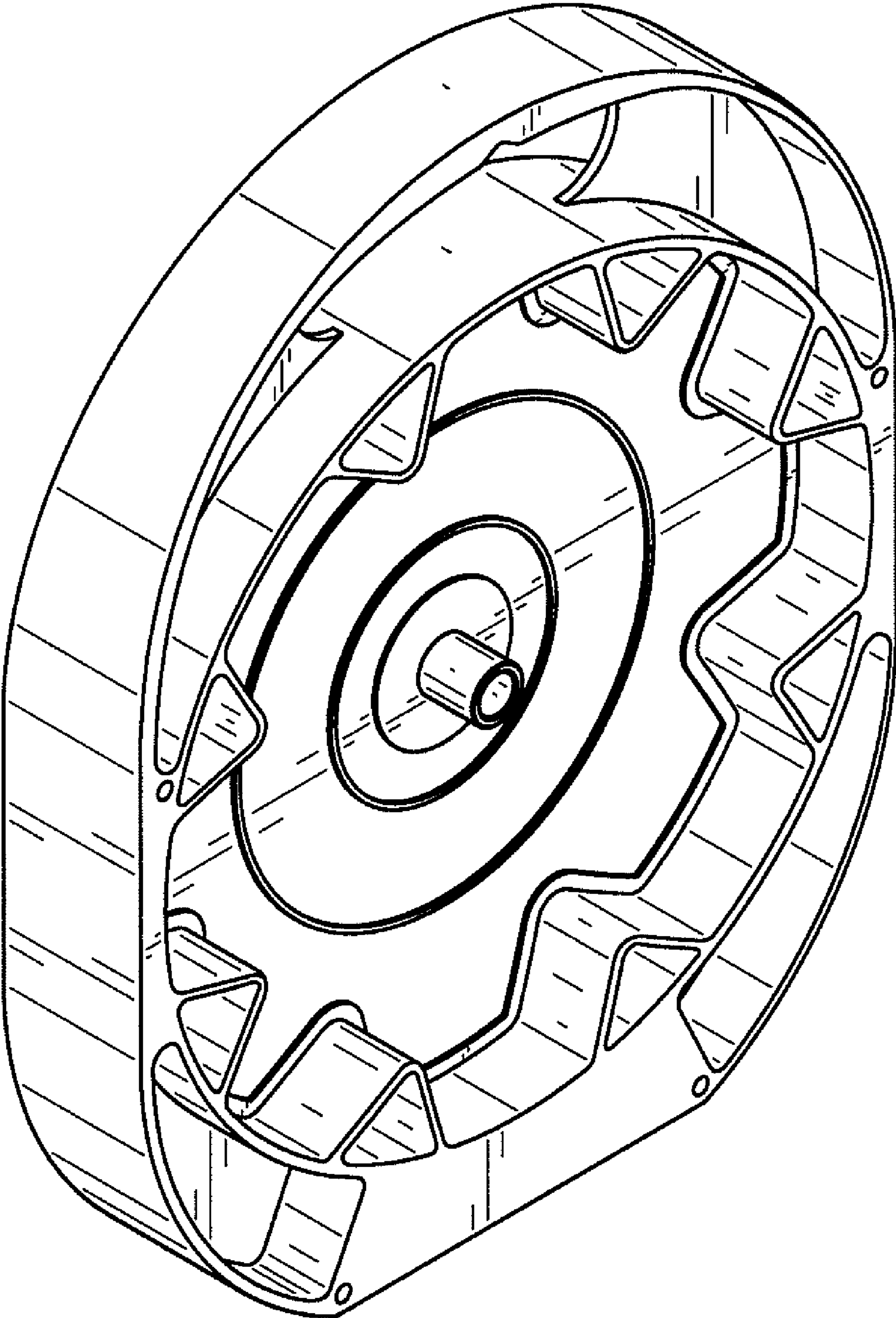


FIG. 7