



US00D621153S

(12) **United States Design Patent**
Parsley et al.

(10) **Patent No.:** **US D621,153 S**

(45) **Date of Patent:** **** *Aug. 10, 2010**

(54) **BAG**

D596,847 S * 7/2009 Nelson D3/232

(75) Inventors: **Craig Alan Parsley**, Greenwood, AR (US); **Christopher James Niklas**, Naperville, IL (US); **Peter A. Grable**, Glenview, IL (US)

* cited by examiner

Primary Examiner—Holly H Baynham

(74) *Attorney, Agent, or Firm*—McDonnell Boehnen Hulbert & Berghoff LLP

(73) Assignee: **Klein Tools, Inc.**, Lincolnshire, IL (US)

(57) **CLAIM**

(*) Notice: This patent is subject to a terminal disclaimer.

The ornamental design for a bag, as shown and described.

(**) Term: **14 Years**

DESCRIPTION

(21) Appl. No.: **29/343,785**

FIG. 1 is the perspective view of a bag showing the new design;

(22) Filed: **Sep. 18, 2009**

FIG. 2 is a left side elevational view thereof;

(51) **LOC (9) Cl.** **03-01**

FIG. 3 is a front elevational view thereof;

(52) **U.S. Cl.** **D3/232**

FIG. 4 is a right side elevational view thereof;

(58) **Field of Classification Search** D3/232–233,
D3/240–246, 318, 324; 150/100, 103–110,
150/113–114, 118–119

FIG. 5 is a rear elevational view thereof;

See application file for complete search history.

FIG. 6 is a bottom plan view thereof; and,

FIG. 7 is a top plan view thereof.

The broken line showing of the zipper pull and zipper, indicated by a first broken line, and the stitching, indicated by a second and longer broken line are included for the purpose of illustrating environment and form no part of the claimed design.

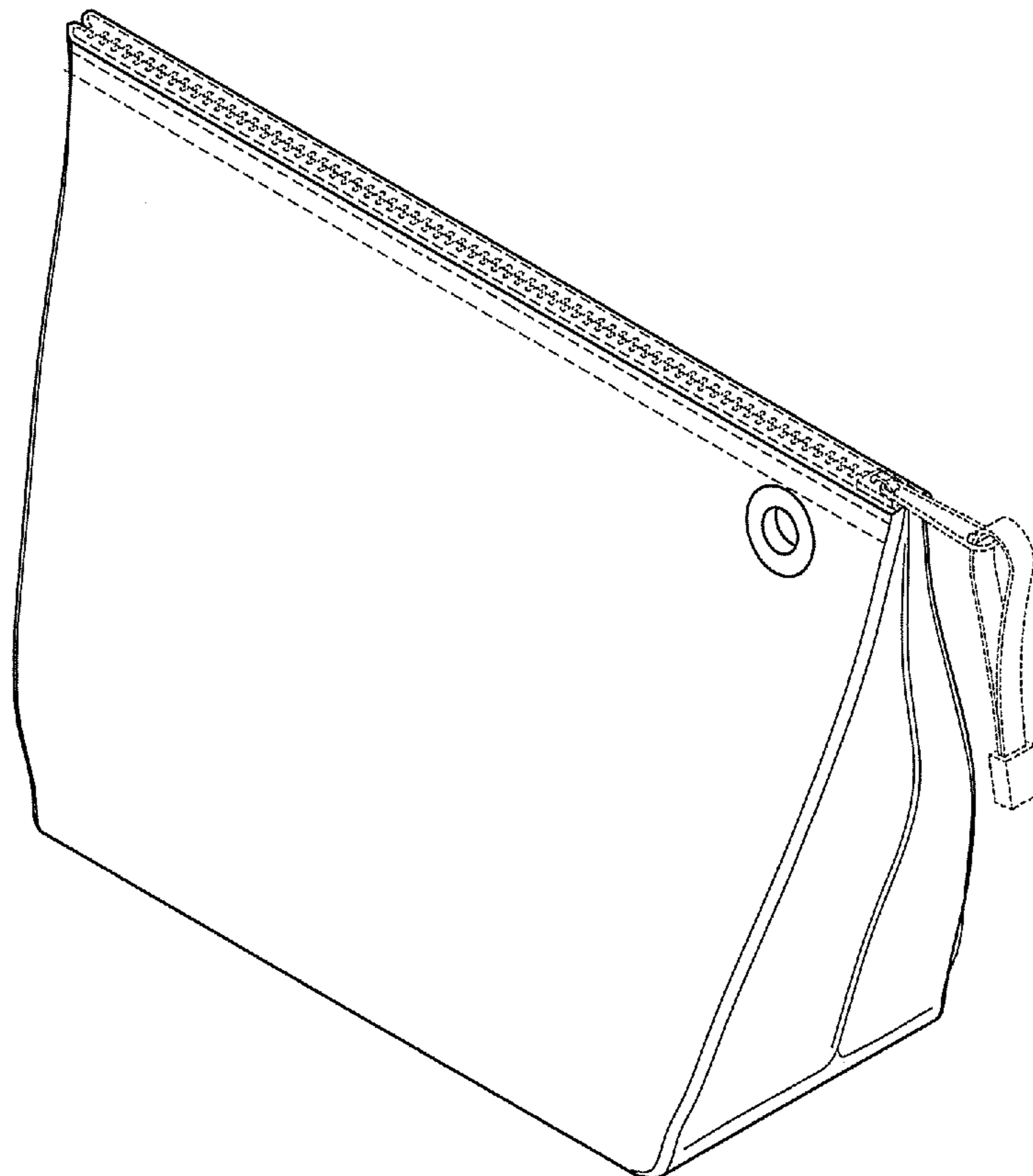
(56) **References Cited**

U.S. PATENT DOCUMENTS

D249,593 S * 9/1978 Glaser D3/245

D502,804 S * 3/2005 Delafontaine D3/243

1 Claim, 4 Drawing Sheets



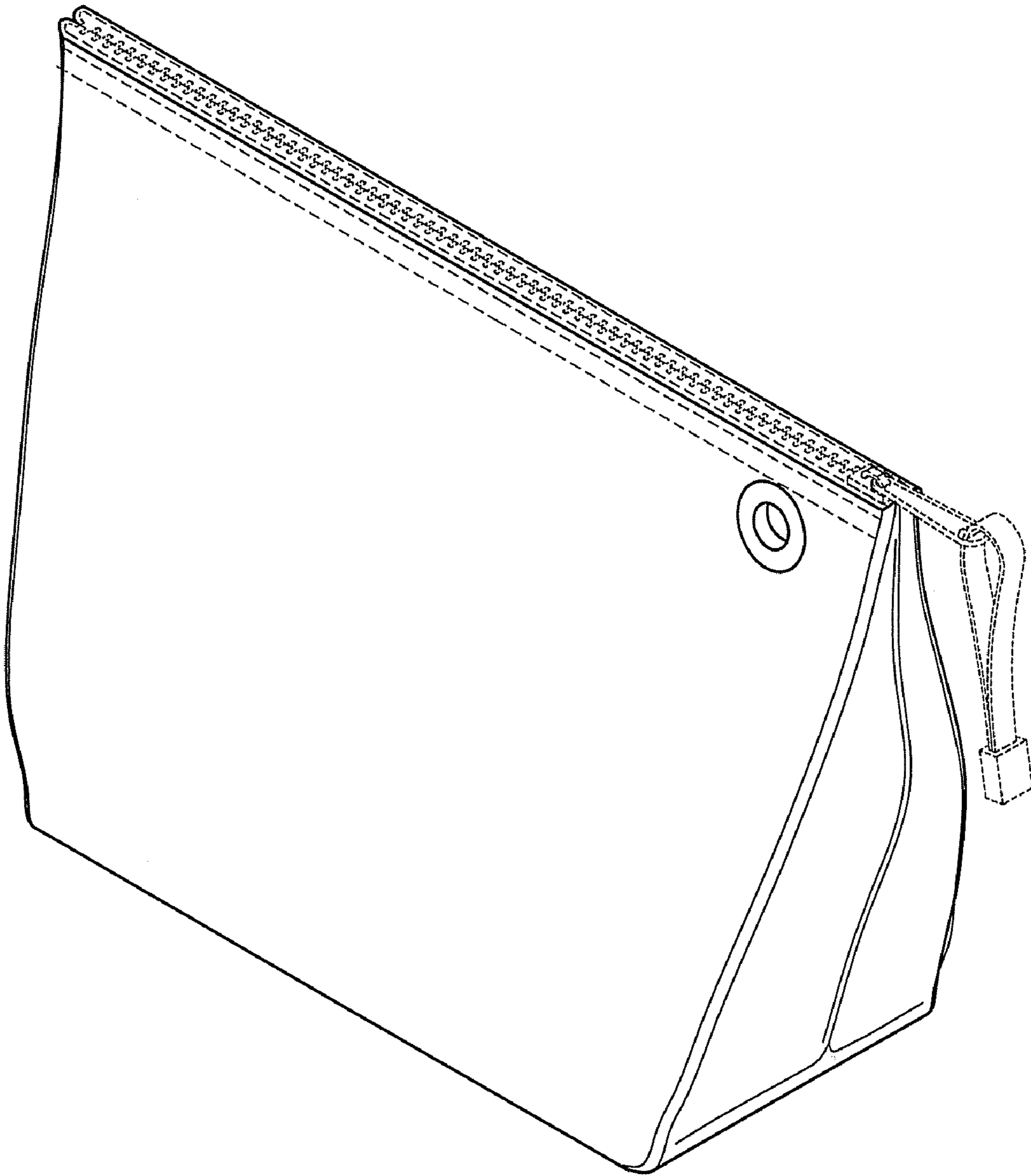


FIG. 1

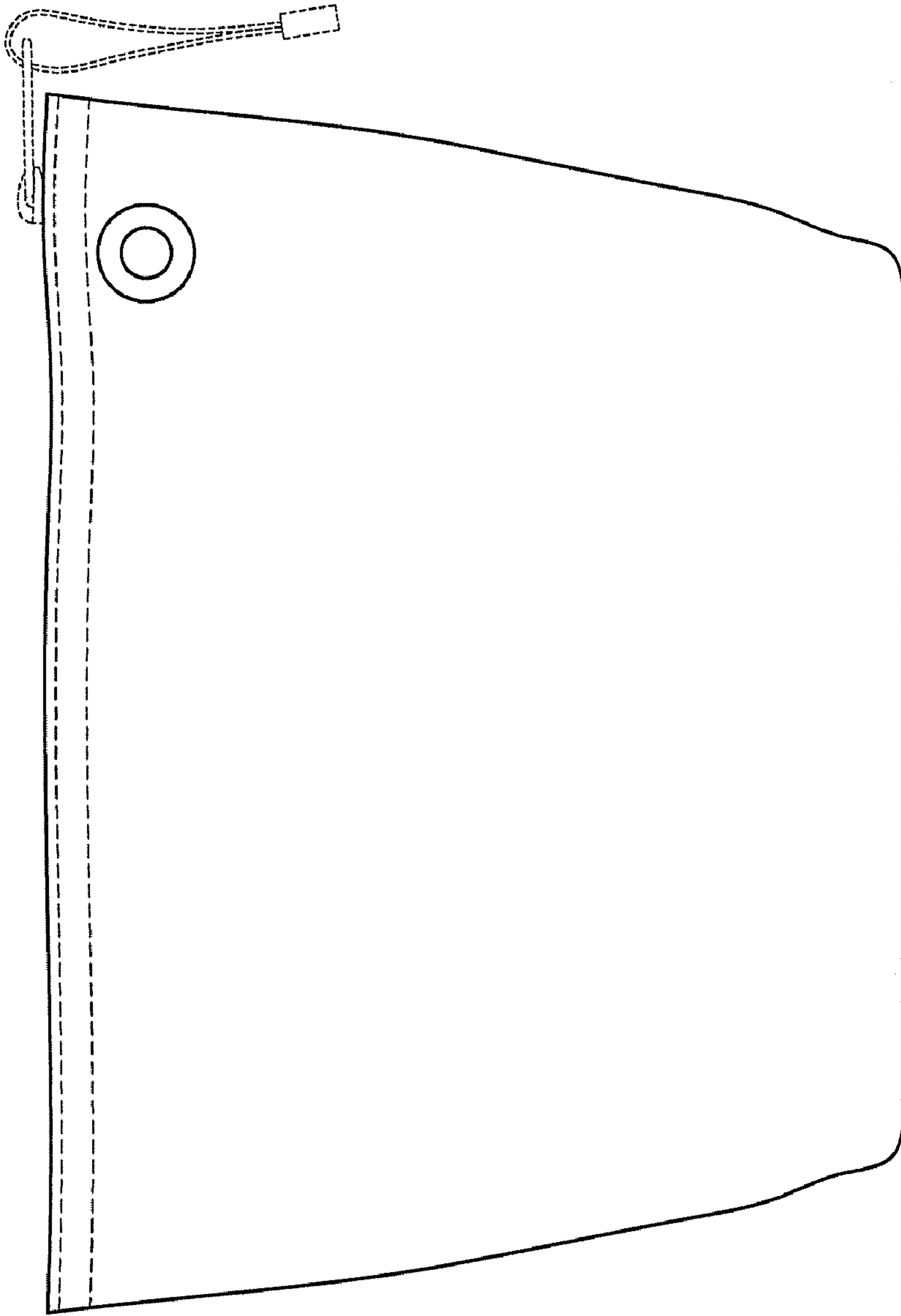


FIG. 2

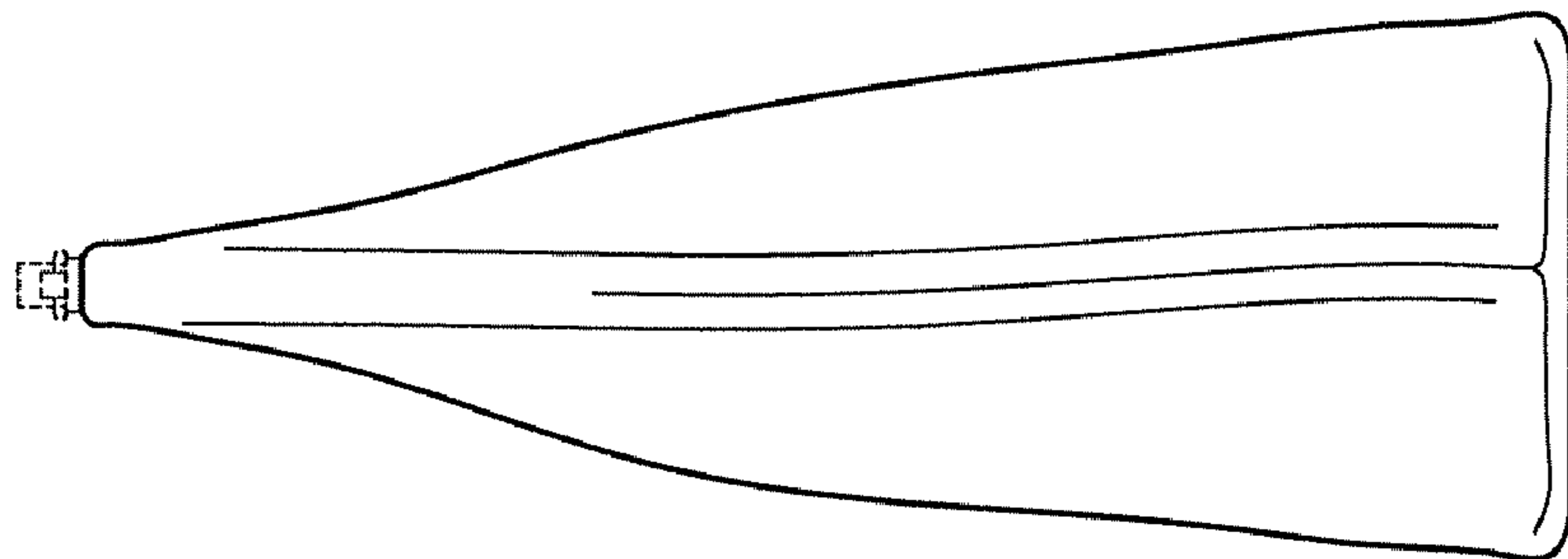


FIG. 3

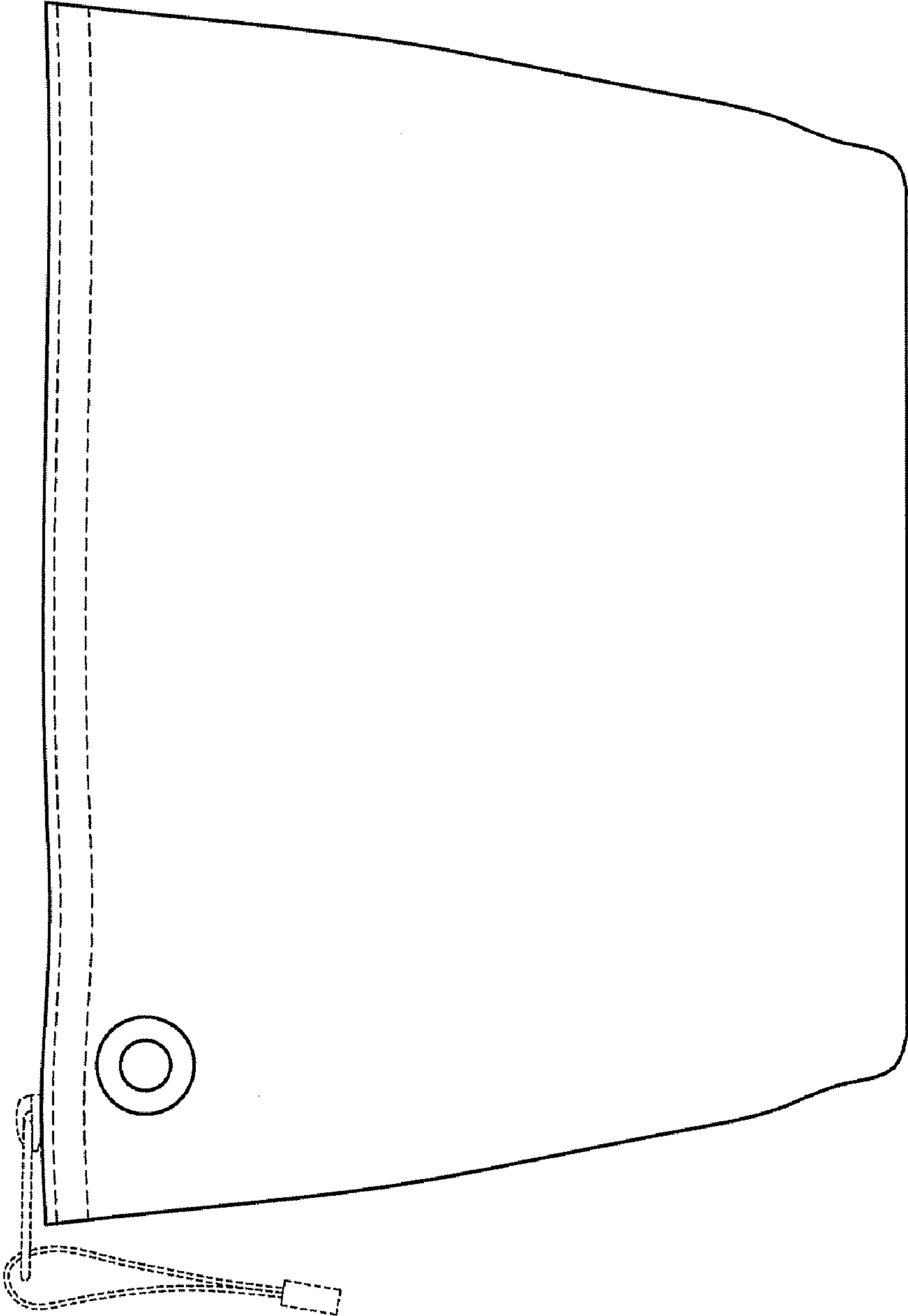


FIG. 5

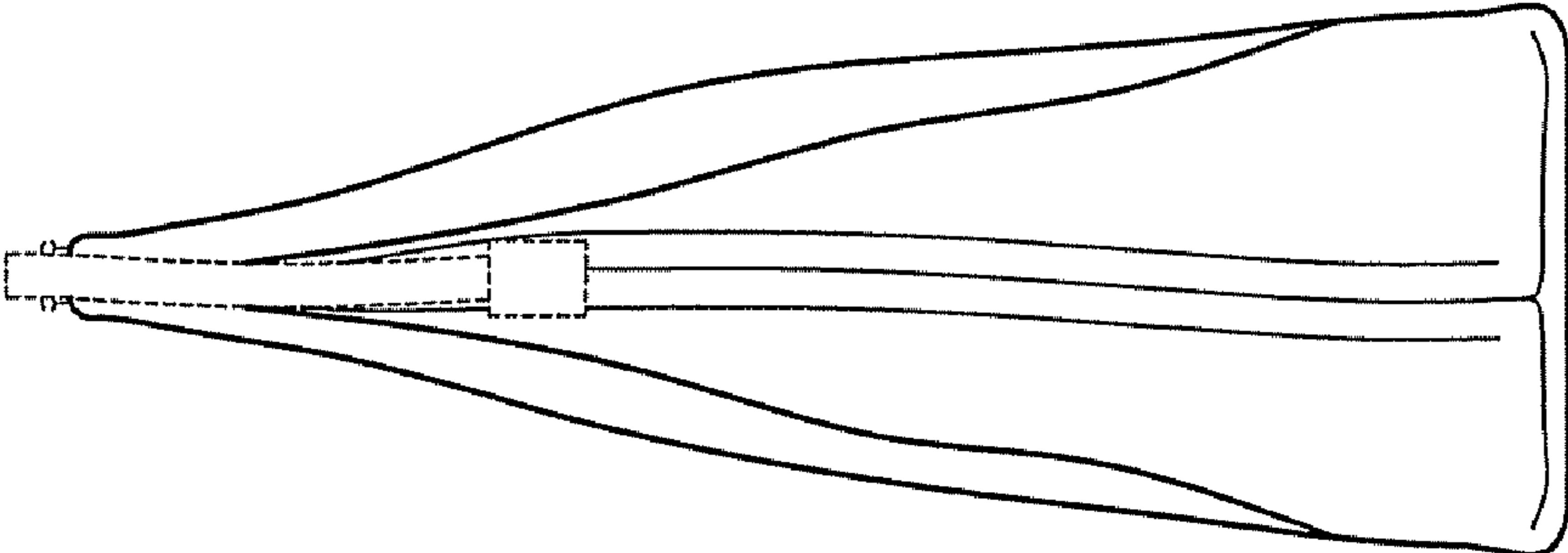


FIG. 4



FIG. 6

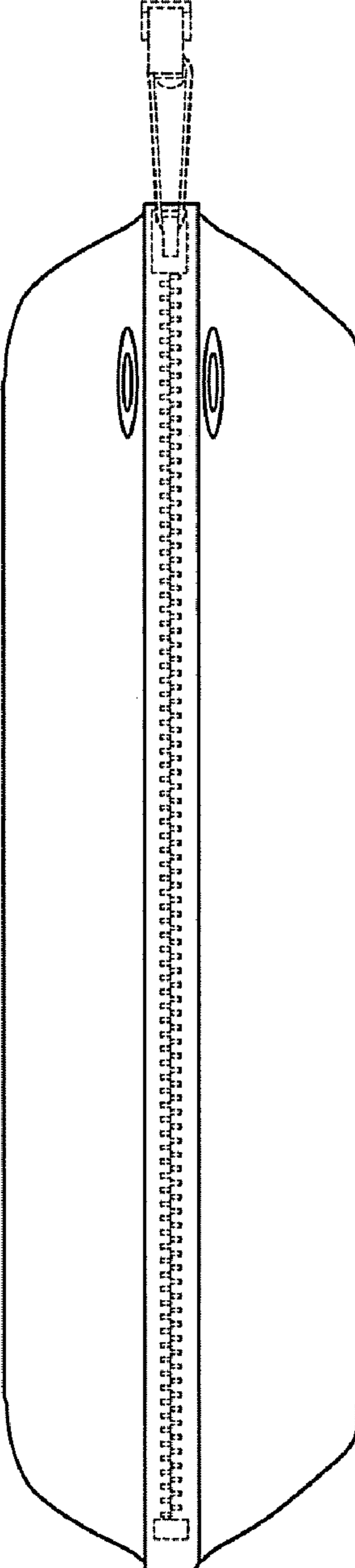


FIG. 7