



US00D621152S

(12) **United States Design Patent**  
**Lebow**

(10) **Patent No.:** **US D621,152 S**

(45) **Date of Patent:** **\*\* Aug. 10, 2010**

(54) **LOCKING MEDICINE BAG**

(75) Inventor: **Susan Morse Lebow**, 12837 Highwood St., Los Angeles, CA (US) 90049

(73) Assignee: **Susan Morse Lebow**, Los Angeles, CA (US)

(\*\*) Term: **14 Years**

(21) Appl. No.: **29/351,759**

(22) Filed: **Dec. 10, 2009**

(51) **LOC (9) Cl.** ..... **03-01**

(52) **U.S. Cl.** ..... **D3/203.1**

(58) **Field of Classification Search** ..... D3/203.1,  
D3/203.6, 203.7, 201, 205, 272-273, 301;  
206/570, 810, 828

See application file for complete search history.

(56) **References Cited**

**U.S. PATENT DOCUMENTS**

D377,861 S *	2/1997	Jacober	.....	D3/203.1
D455,005 S *	4/2002	Wolf	.....	D3/205
D484,304 S *	12/2003	Sanderson	.....	D3/203.1
D494,360 S *	8/2004	Ostermann	.....	D3/205
D562,545 S *	2/2008	Dawson	.....	D3/203.1
D565,837 S *	4/2008	Miles	.....	D3/203.1

\* cited by examiner

*Primary Examiner*—Catherine R Oliver

(74) *Attorney, Agent, or Firm*—Steptoe & Johnson LLP

(57) **CLAIM**

The ornamental design for a locking medicine bag, as shown and described.

**DESCRIPTION**

FIG. 1 is a perspective view, depicting a locking medicine bag of the present invention;

FIG. 2 is a first end view, depicting a first end of the locking medicine bag shown in FIG. 1;

FIG. 3 is a second end view, depicting a second end of the locking medicine bag shown in FIG. 1;

FIG. 4 is a top view, depicting the locking medicine bag shown in FIG. 1;

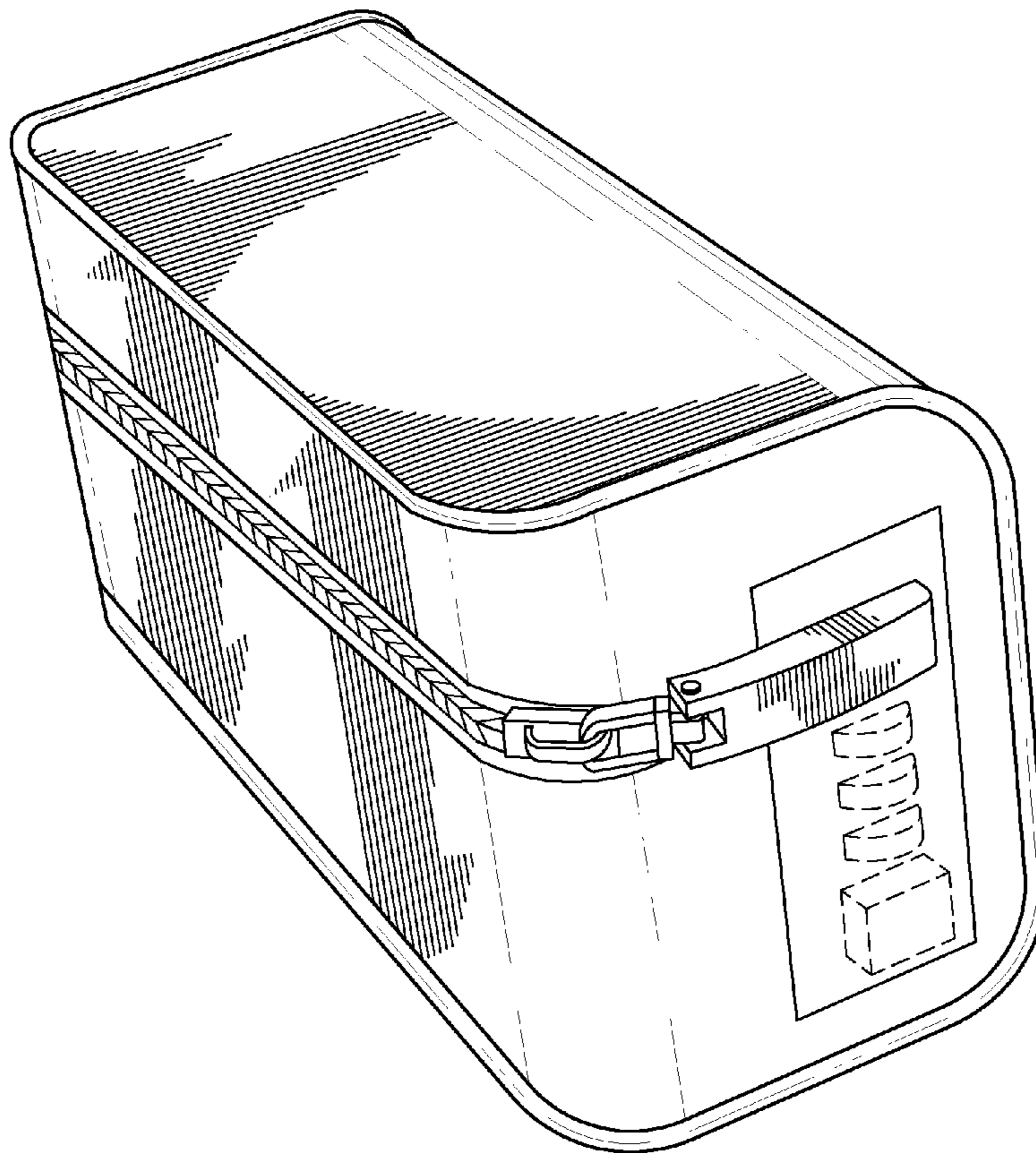
FIG. 5 is a bottom view, depicting the locking medicine bag shown in FIG. 1;

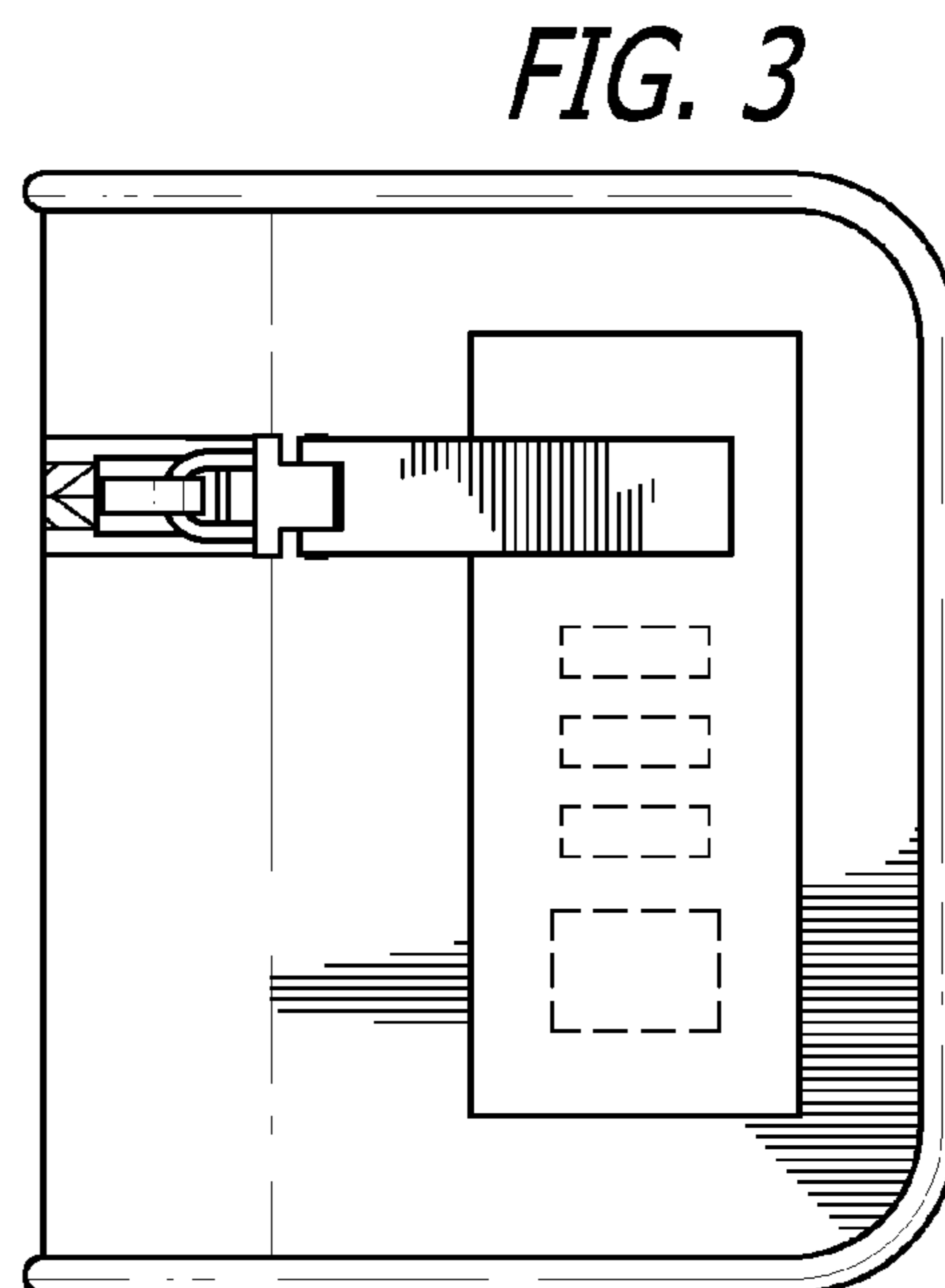
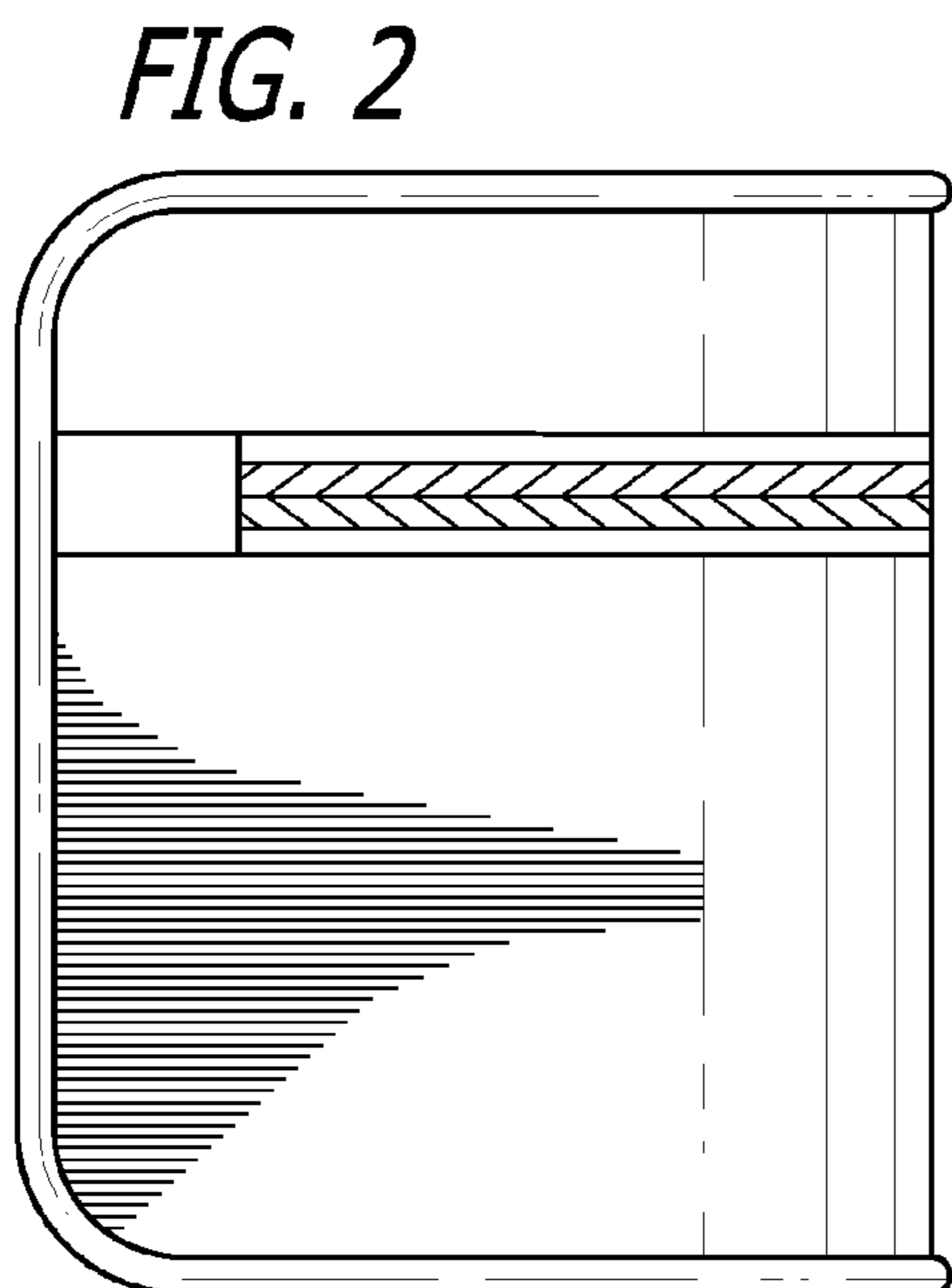
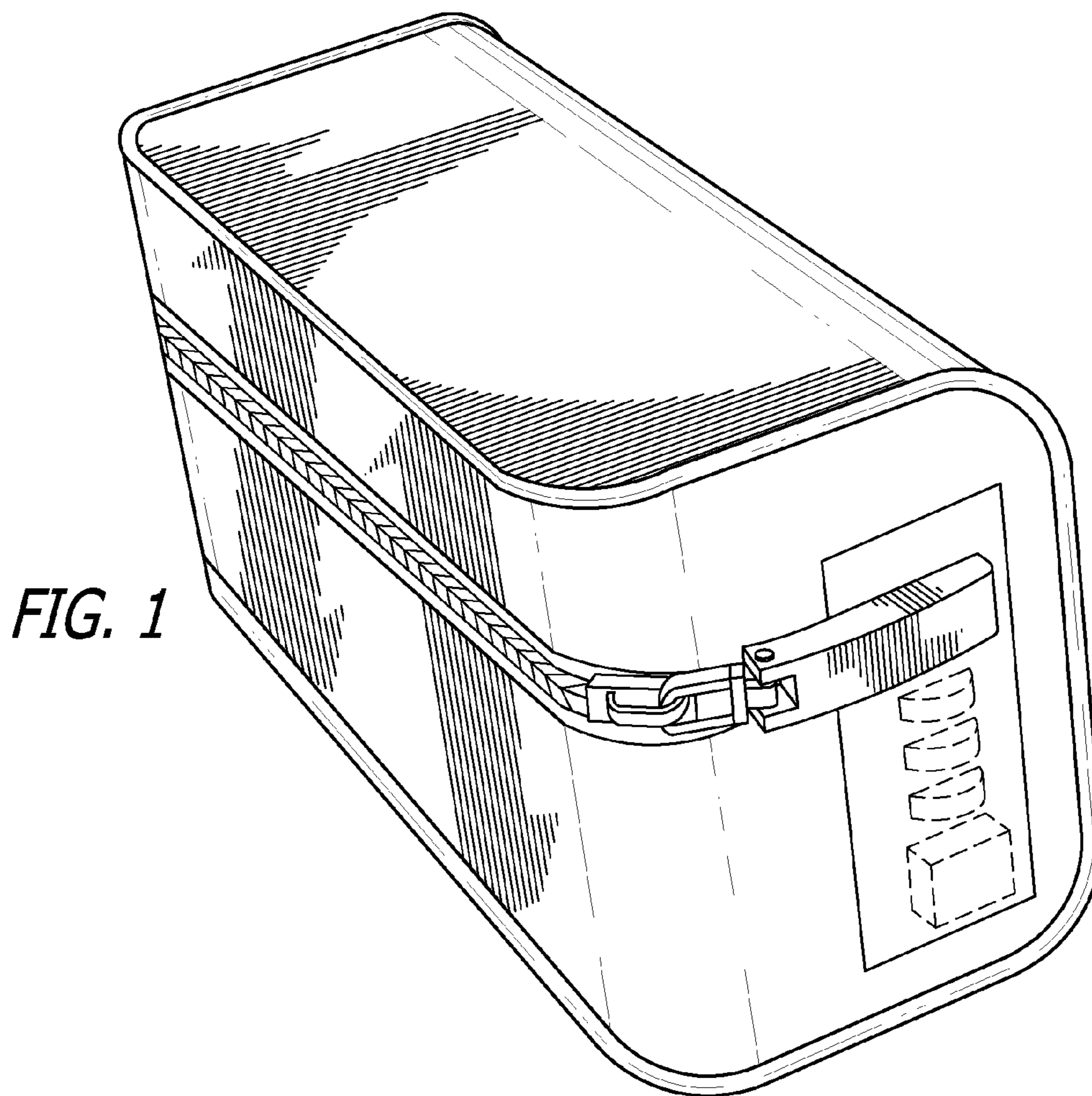
FIG. 6 is a first side view, depicting the locking medicine bag shown in FIG. 1; and,

FIG. 7 is a second side view, depicting the locking medicine bag shown in FIG. 1.

The broken line showing of environment in the drawings is included for the purpose of illustrating only and forms no part of the claimed design.

**1 Claim, 3 Drawing Sheets**





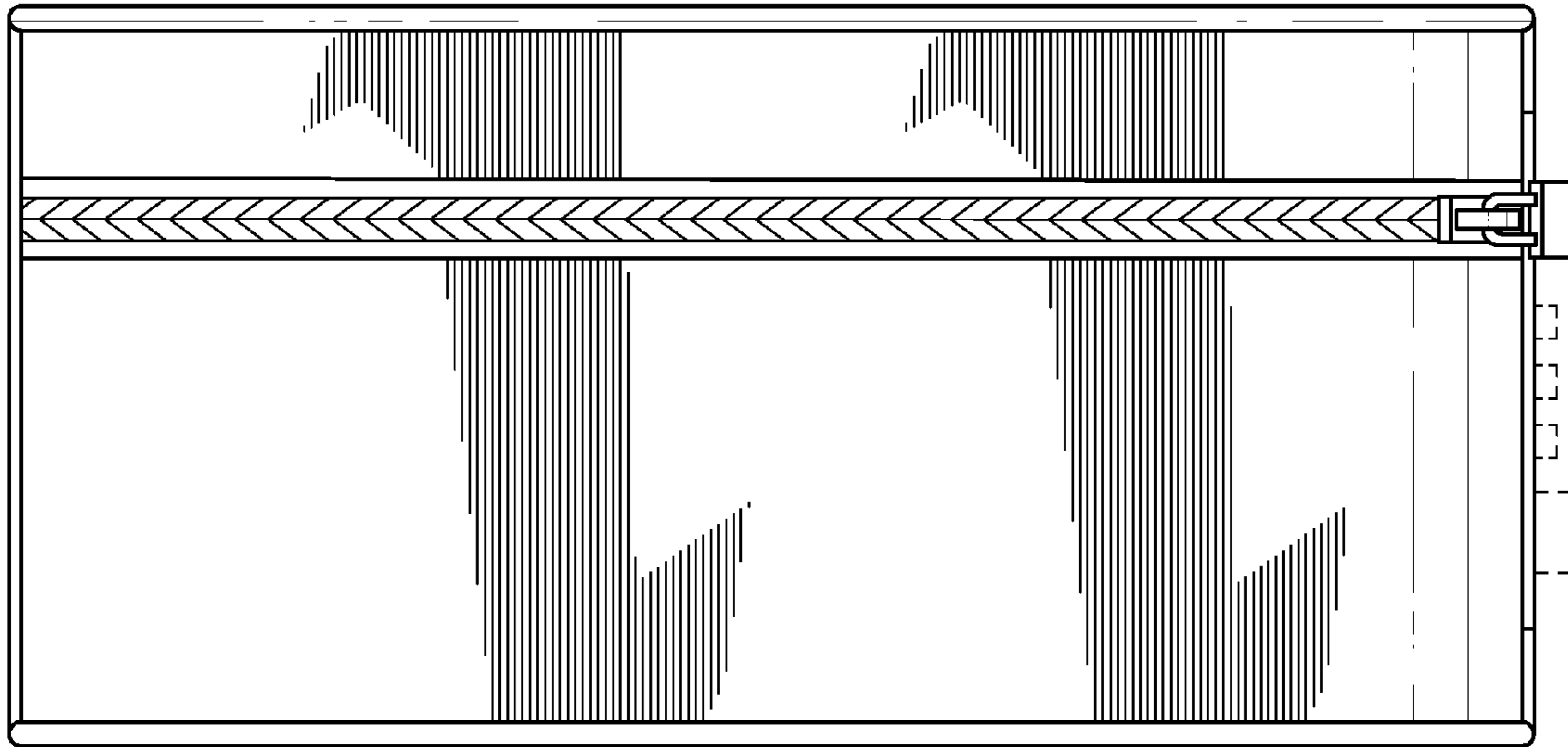


FIG. 4

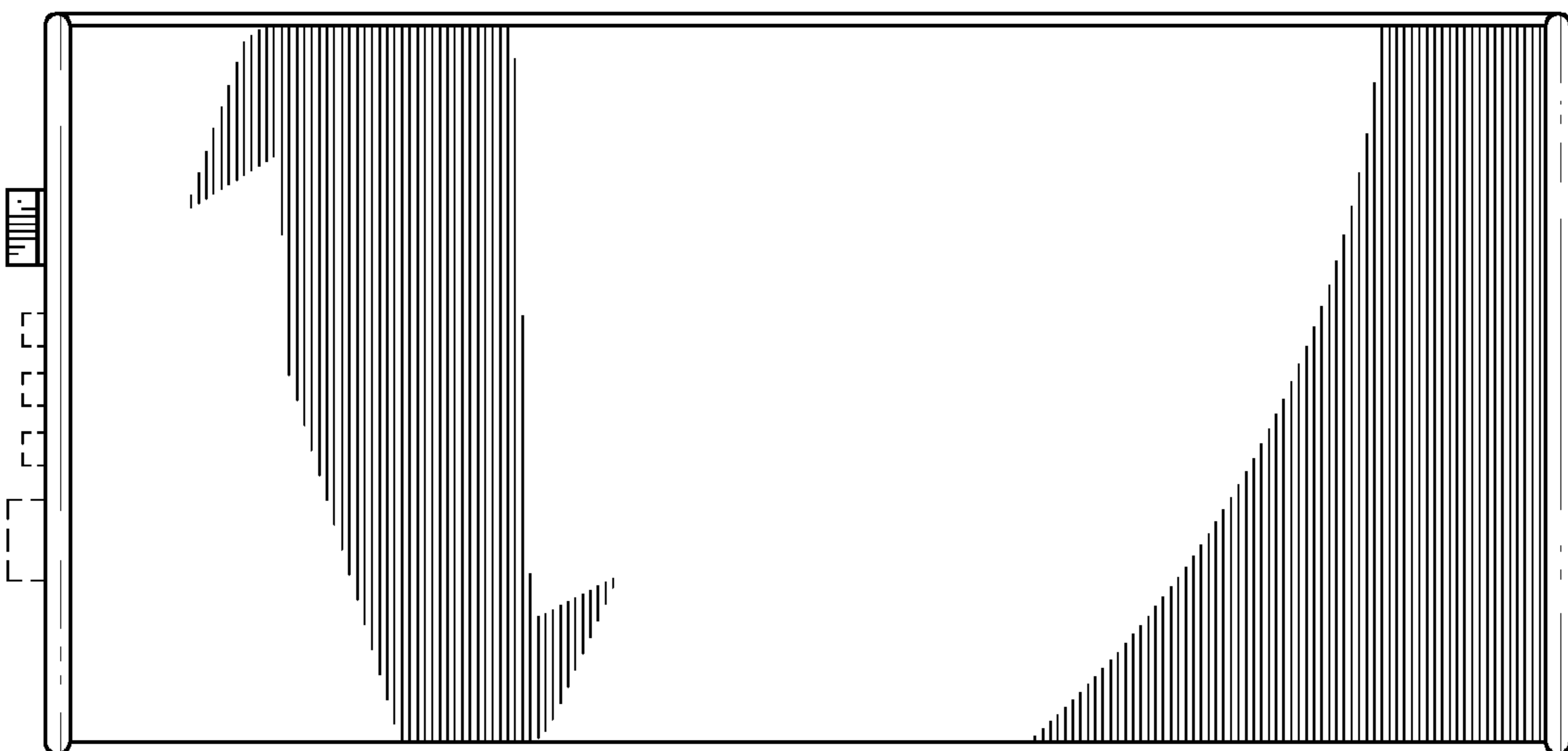
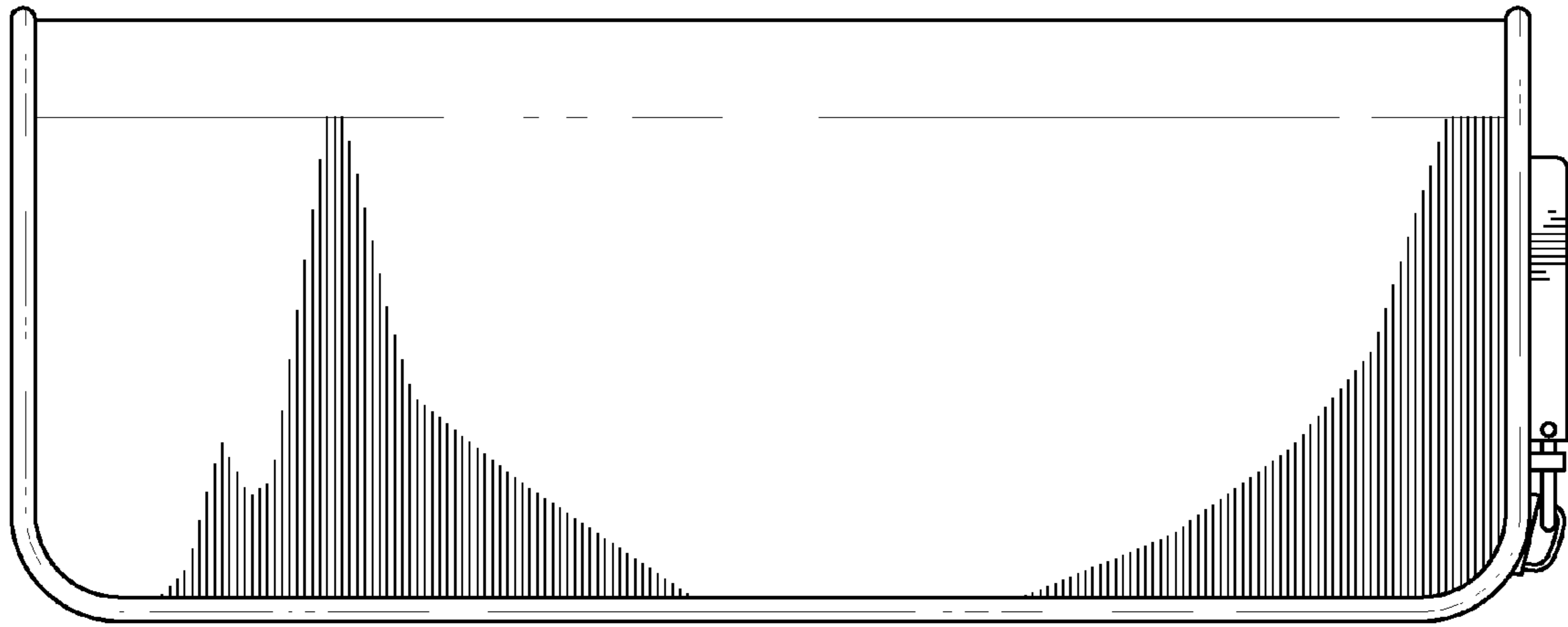
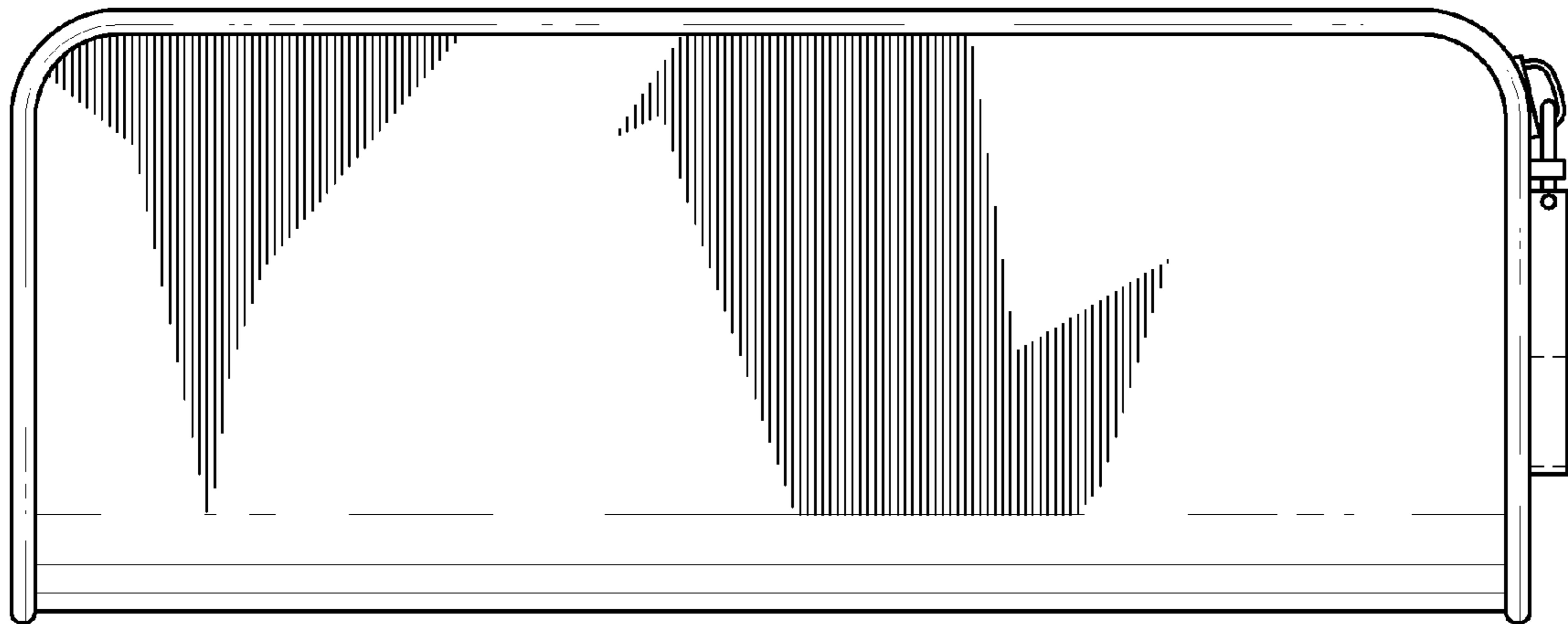


FIG. 5



*FIG. 6*



*FIG. 7*