

US00D621148S

(12) **United States Design Patent**
Brady

(10) **Patent No.:** **US D621,148 S**

(45) **Date of Patent:** **** Aug. 10, 2010**

(54) **UMBRELLA STAND**

(76) Inventor: **James P. Brady**, 1601 E. Orangethorpe Ave., Fullerton, CA (US) 92831

(**) Term: **14 Years**

(21) Appl. No.: **29/314,315**

(22) Filed: **Mar. 20, 2009**

(51) **LOC (9) Cl.** **03-03**

(52) **U.S. Cl.** **D3/10**

(58) **Field of Classification Search** D3/5,
D3/10, 12, 13, 16, 17, 6, 14; 135/15.1, 23,
135/20.1, 20.3, 25.31, 33.7, 39, 40, 25.01,
135/21, 16, 44, 98, 99; 248/145.6, 146, 156,
248/530, 508; D8/395

See application file for complete search history.

(56) **References Cited**

U.S. PATENT DOCUMENTS

2,759,486	A	8/1956	Pesaturo	
5,339,847	A *	8/1994	Kanter et al.	135/16
5,457,918	A	10/1995	Plourde	
5,535,978	A	7/1996	Rodriguez et al.	
D433,224	S *	11/2000	Cochran, Jr.	D3/10
6,220,260	B1 *	4/2001	Sachs	135/15.1
6,267,127	B1	7/2001	Doreste	

6,328,046	B2	12/2001	Doreste	
D454,682	S *	3/2002	D'Andrea	D3/10
6,899,187	B1	5/2005	McCarthy	
6,908,067	B2	6/2005	Clausen	
2001/0035201	A1	11/2001	Kuzmic	

* cited by examiner

Primary Examiner—Doris Clark

(74) *Attorney, Agent, or Firm*—Cislo & Thomas, LLP

(57) **CLAIM**

I claim the ornamental design for an umbrella stand, as shown and described.

DESCRIPTION

FIG. 1 Is a perspective view of my umbrella stand;

FIG. 2 Is a front view thereof;

FIG. 3 Is a rear view thereof;

FIG. 4 Is a left side view thereof;

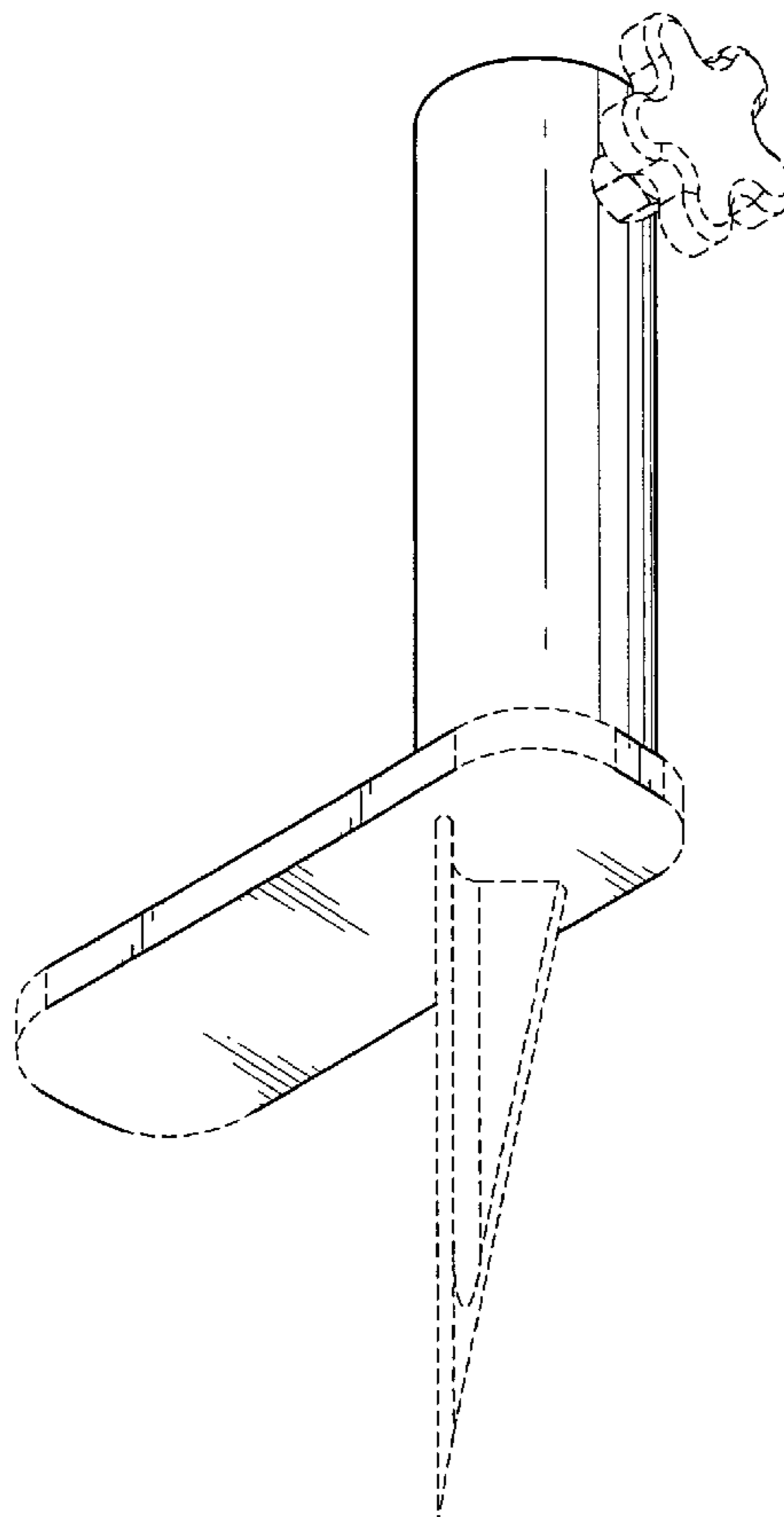
FIG. 5 Is a right side view thereof;

FIG. 6 Is a top view thereof; and,

FIG. 7 Is bottom view thereof.

The broken line portions of the disclosure are for illustrative purposes only and form no part of the claimed design.

1 Claim, 5 Drawing Sheets



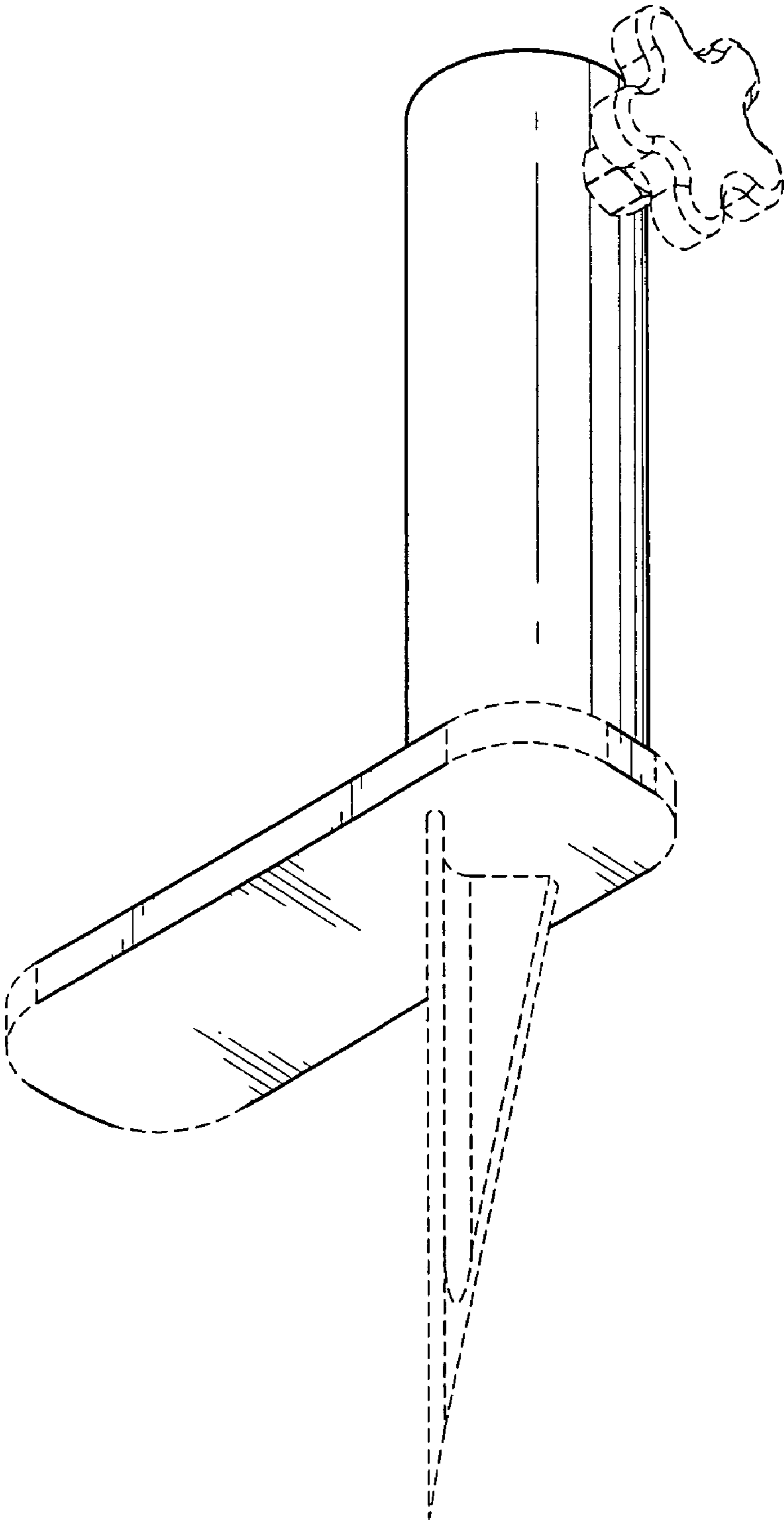


FIG. 1

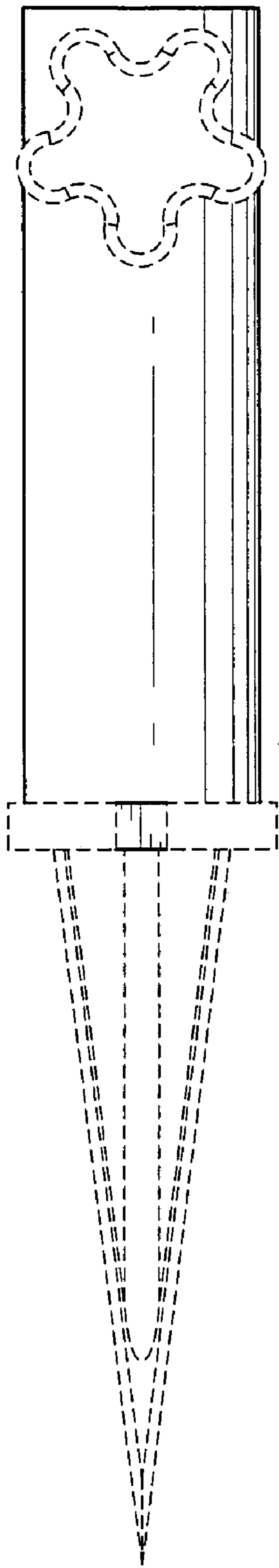


FIG. 2

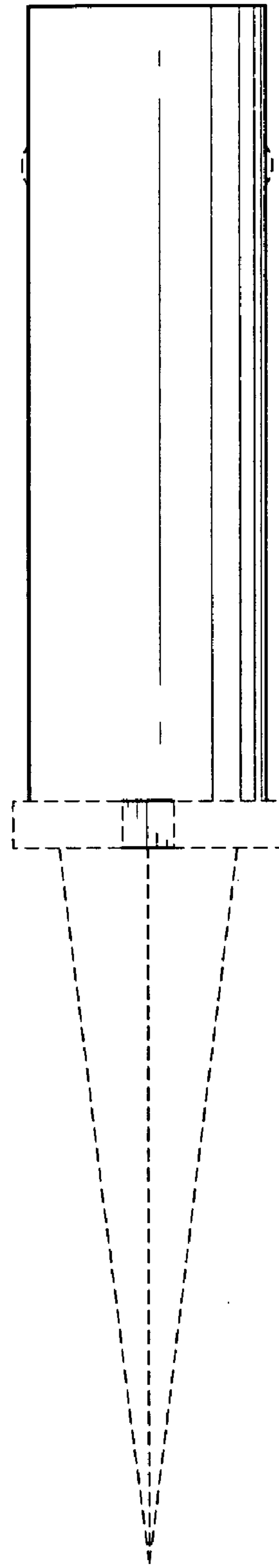


FIG. 3

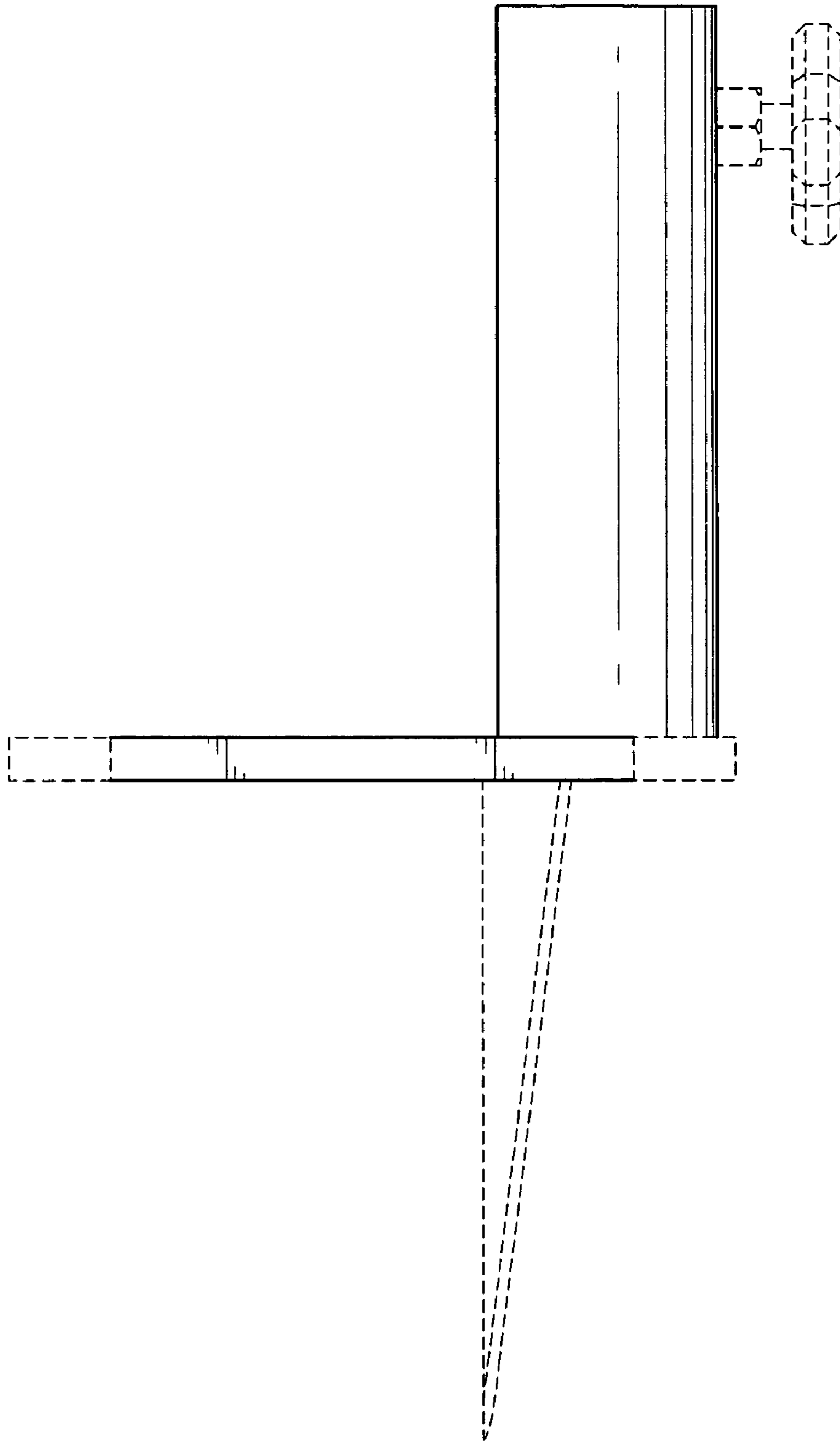


FIG. 4

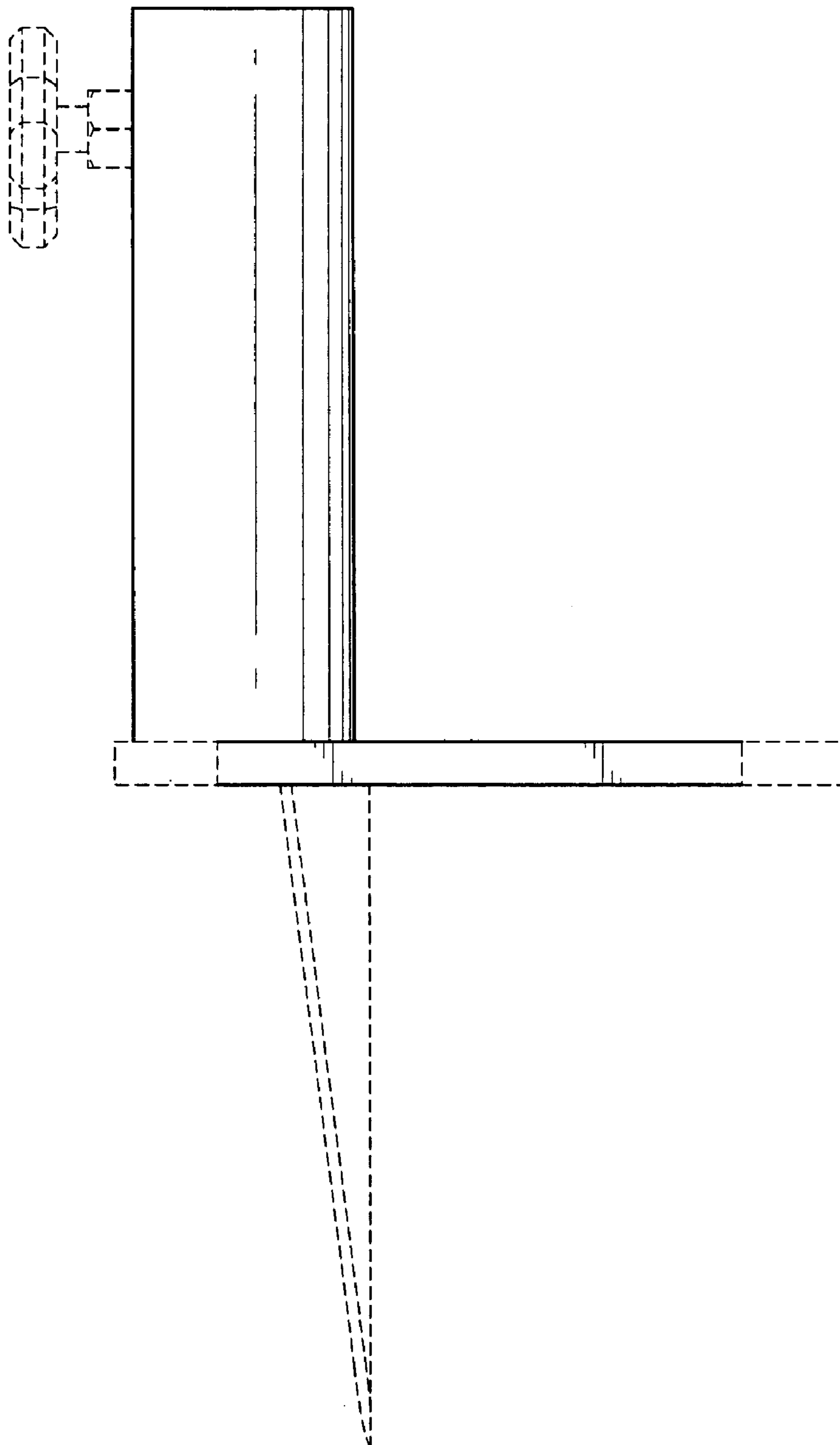


FIG. 5

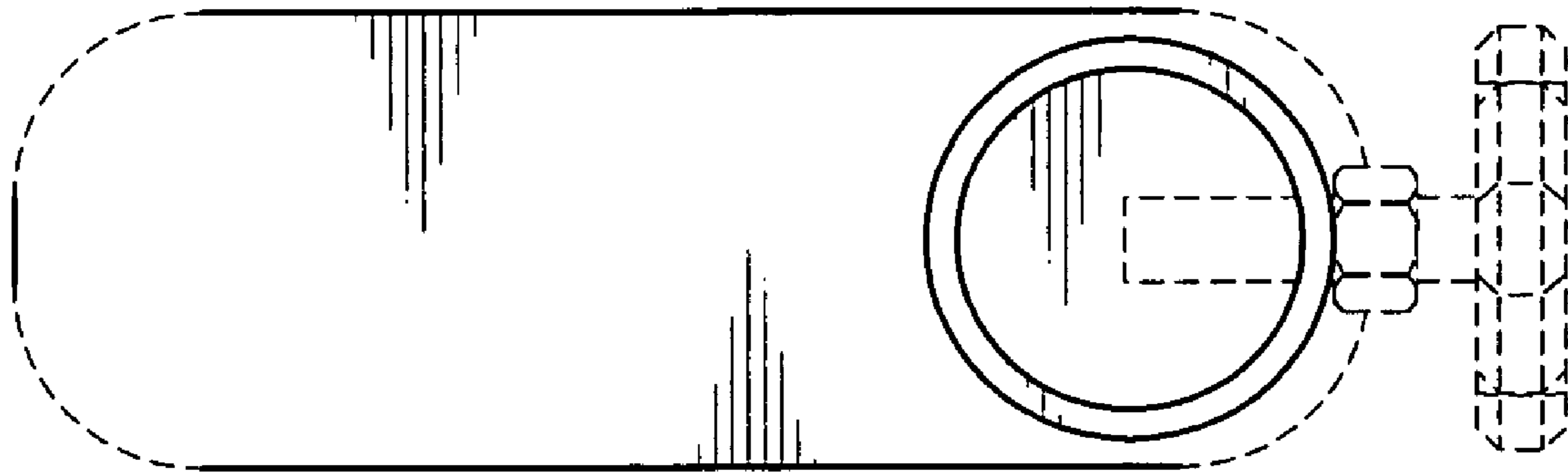


FIG. 6

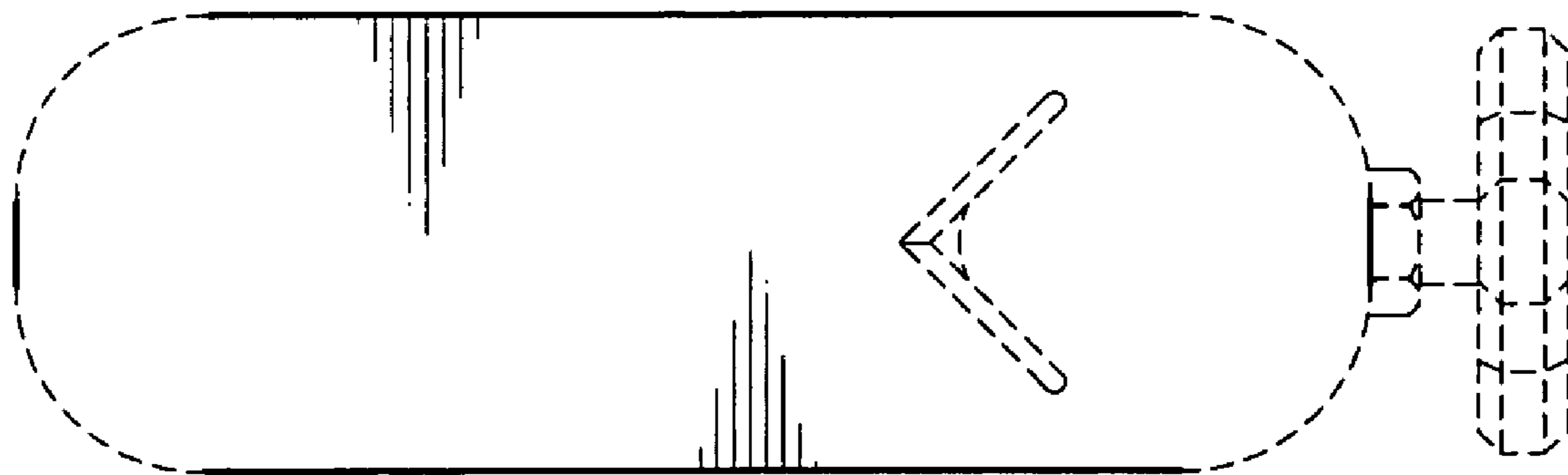


FIG. 7