



US00D621141S

(12) **United States Design Patent**
Tatsuno et al.

(10) **Patent No.:** **US D621,141 S**

(45) **Date of Patent:** **** Aug. 10, 2010**

(54) **SANDAL**

(75) Inventors: **Isamu Tatsuno**, Osaka (JP); **Fumiaki Masaki**, Osaka (JP); **Takeshi Tatsuno**, Osaka (JP); **Hideo Takatori**, Osaka (JP); **Kosaku Ohki**, Osaka (JP)

(73) Assignee: **Kabushiki Kaisha Montbell** (JP)

(**) Term: **14 Years**

(21) Appl. No.: **29/350,034**

(22) Filed: **Nov. 10, 2009**

(30) **Foreign Application Priority Data**

May 11, 2009 (JP) 2009-10427

(51) **LOC (9) Cl.** **02-04**

(52) **U.S. Cl.** **D2/916; D2/946; D2/969**

(58) **Field of Classification Search** D2/896,
D2/916-918, 947, 968, 969, 971; 36/45,
36/51, 7.5, 3 A, 136, 112, 101, 83
See application file for complete search history.

(56) **References Cited**

U.S. PATENT DOCUMENTS

2,390,685	A *	12/1945	Benson	36/11.5
3,352,033	A *	11/1967	Colley	36/11.5
3,928,927	A *	12/1975	Brown et al.	36/11.5
D238,625	S *	2/1976	York	D2/917
4,530,171	A *	7/1985	Zabala	36/11.5
4,843,736	A *	7/1989	Courian	36/11.5

4,920,664	A *	5/1990	McGregor et al.	36/11.5
5,205,054	A *	4/1993	York, Jr.	36/11.5
D435,716	S *	1/2001	Davis	D2/916
D449,918	S *	11/2001	Boncutter	D2/917
D455,540	S *	4/2002	Fletcher et al.	D2/916
6,477,790	B2 *	11/2002	Boncutter et al.	36/11.5
6,508,016	B1 *	1/2003	Boncutter et al.	36/11.5
6,766,598	B2 *	7/2004	Boncutter et al.	36/11.5
D554,833	S *	11/2007	Barber	D2/917

* cited by examiner

Primary Examiner—Robert M Spear

Assistant Examiner—Rashida C McCoy

(74) *Attorney, Agent, or Firm*—SAIDMAN DesignLaw Group

(57) **CLAIM**

The ornamental design for a sandal, as shown and described.

DESCRIPTION

FIG. 1 is a top view of a sandal showing our new design;

FIG. 2 is a front, perspective view thereof;

FIG. 3 is a front view thereof;

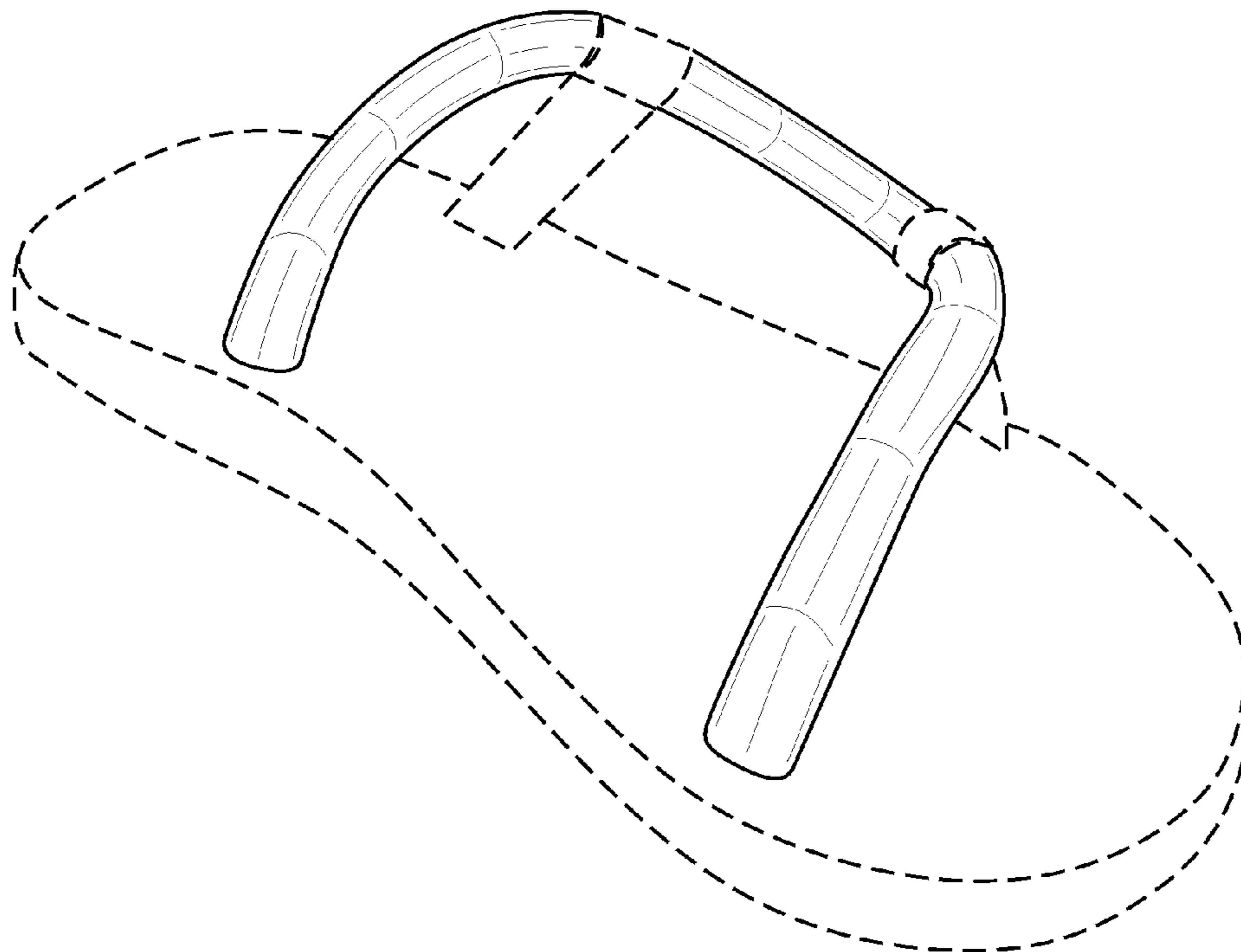
FIG. 4 is a rear view thereof;

FIG. 5 is a left side view thereof; and,

FIG. 6 is a right side view thereof.

The broken line showing of an insole, an outsole, and straps is for the purpose of illustrating portions of the sandal and forms no part of the claimed design.

1 Claim, 3 Drawing Sheets



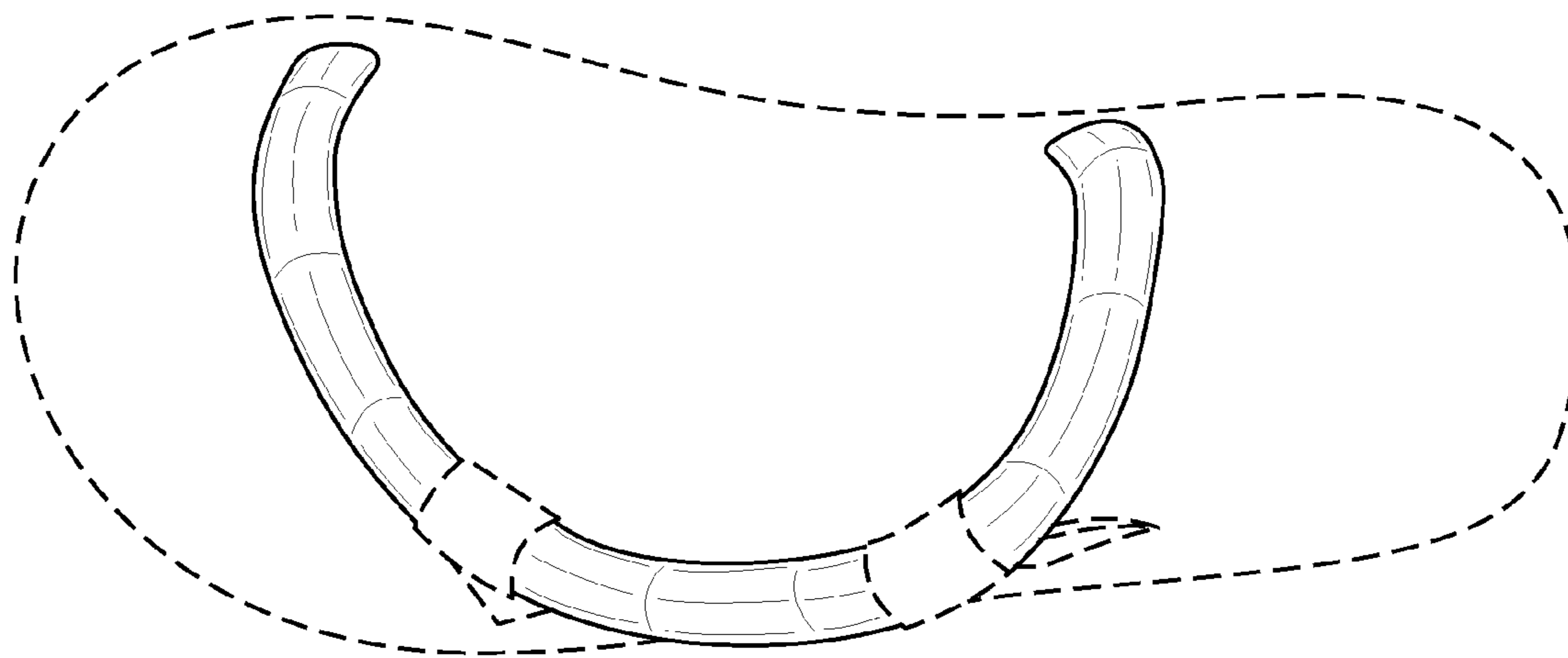


Fig. 1

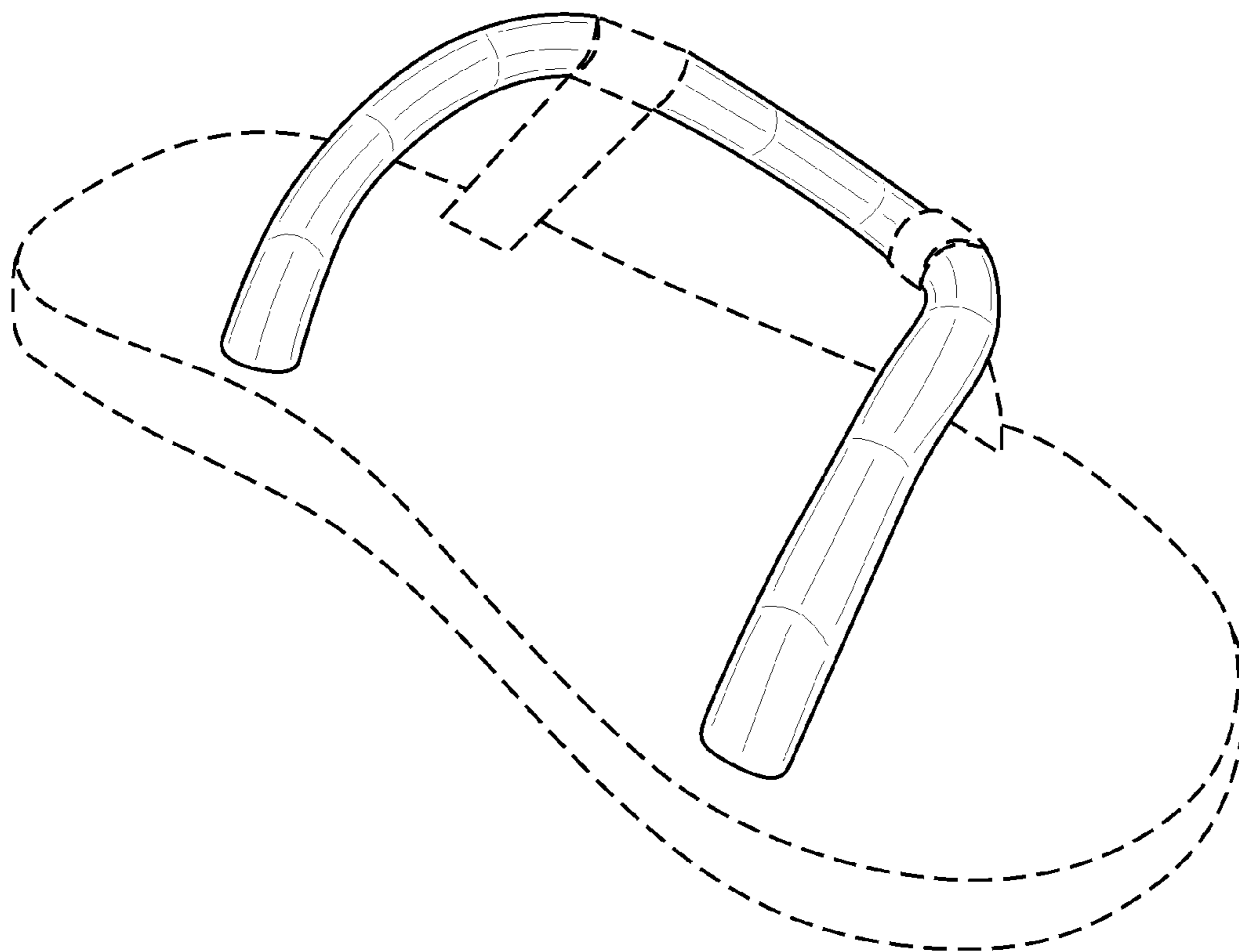


Fig. 2

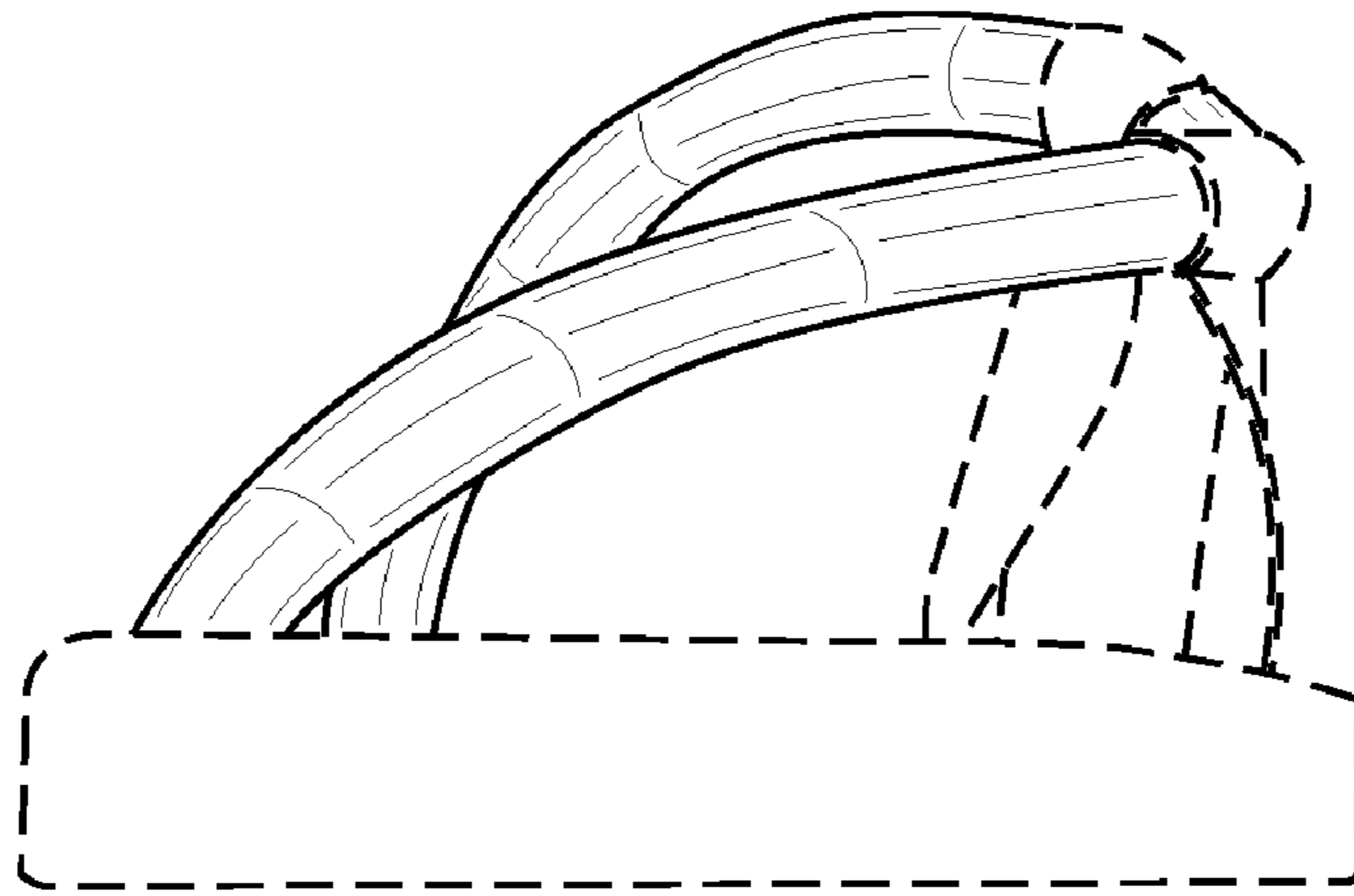


Fig. 3

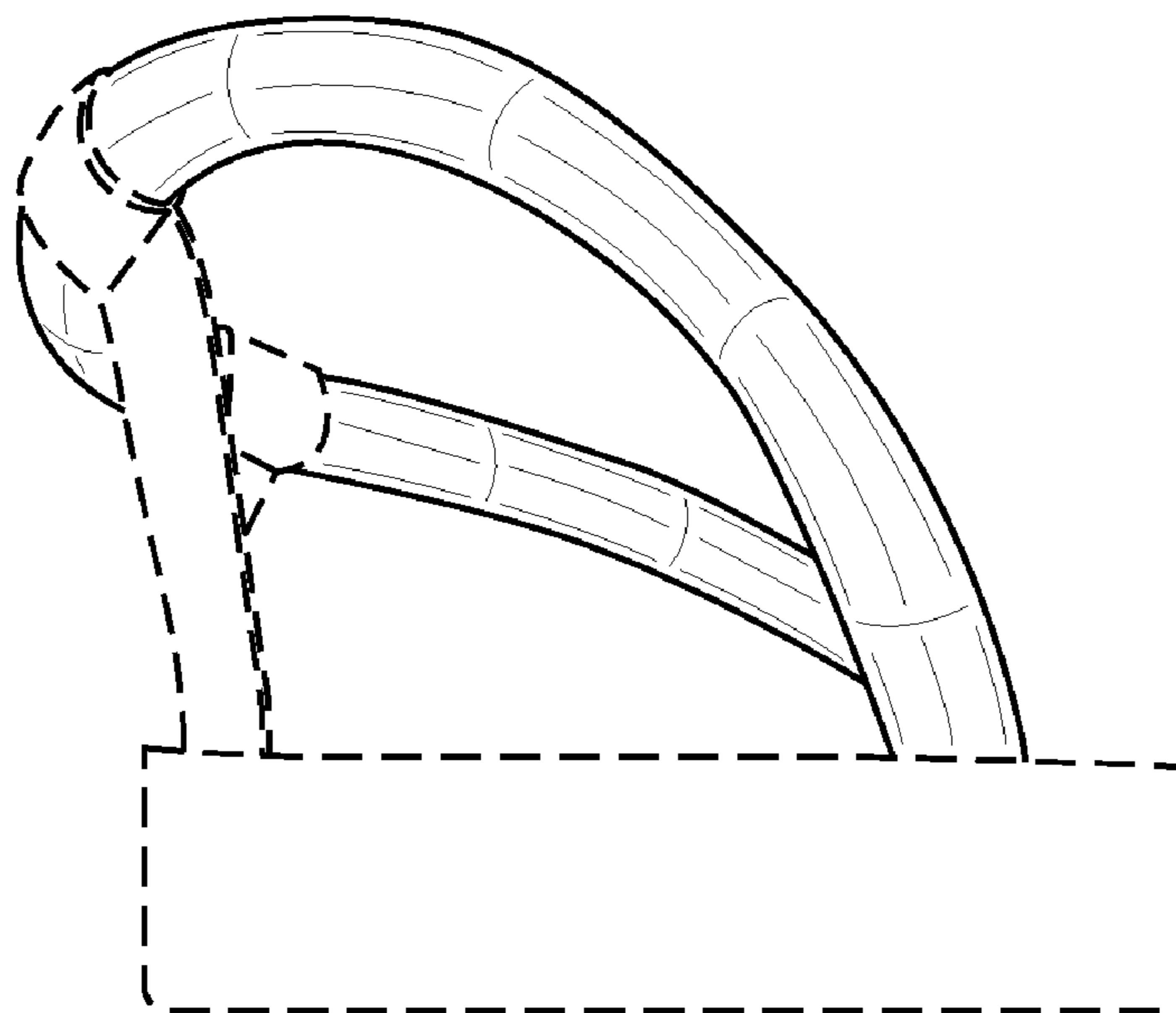


Fig. 4

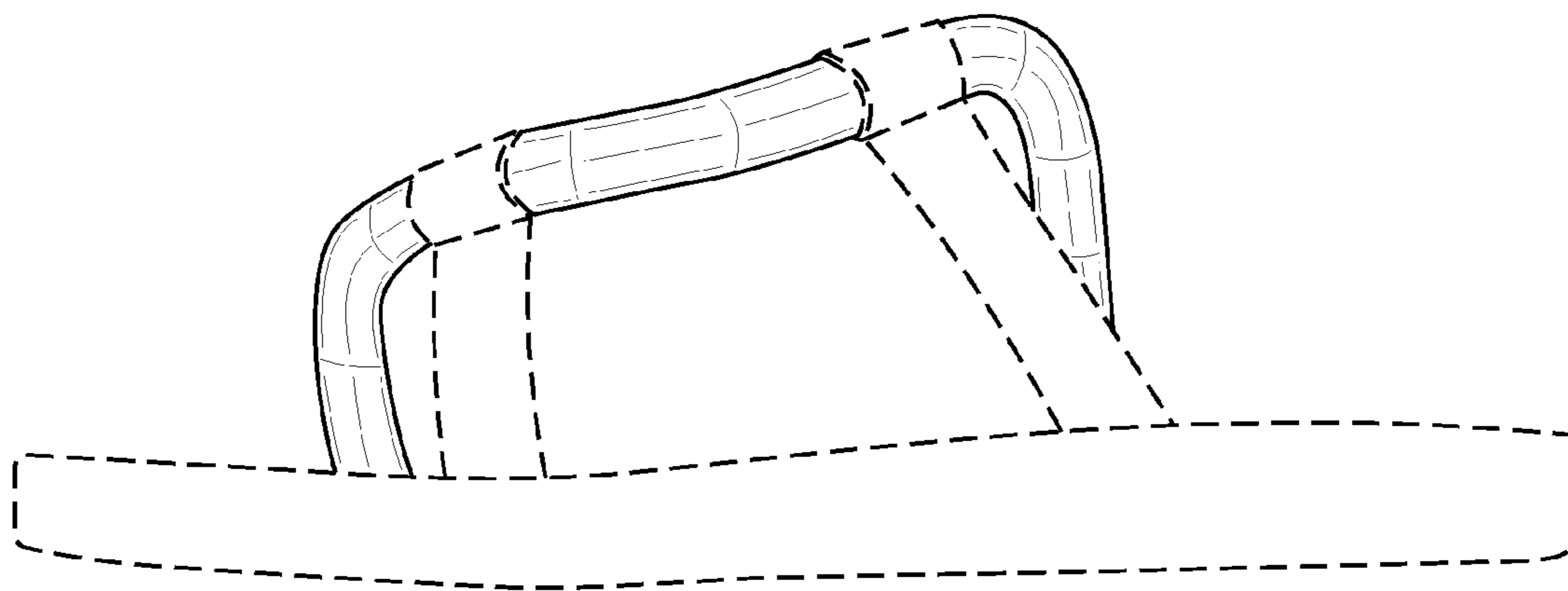


Fig. 5

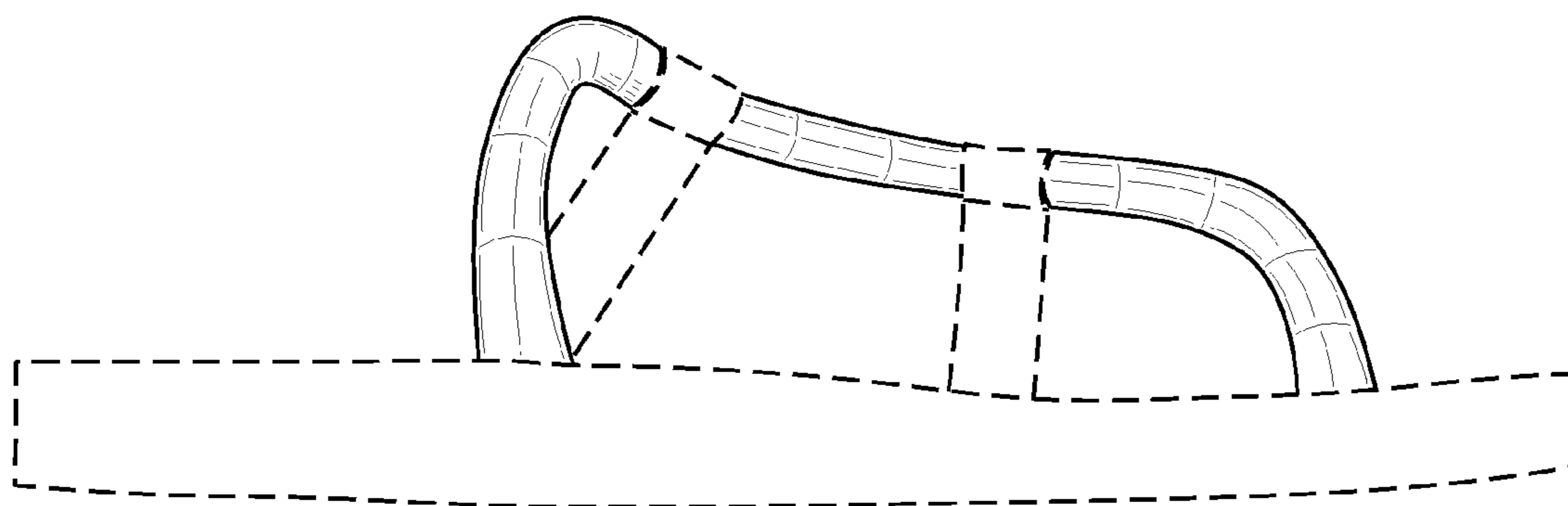


Fig. 6