



US00D621137S

(12) **United States Design Patent**
Byrne

(10) **Patent No.:** **US D621,137 S**
(45) **Date of Patent:** **** Aug. 10, 2010**

(54) **VISOR**

(76) Inventor: **Brendan Patrick Byrne**, 1882 Malvern Road, Malvern East (AU) 3145

(**) Term: **14 Years**

(21) Appl. No.: **29/313,544**

(22) Filed: **Jan. 21, 2009**

(30) **Foreign Application Priority Data**

Jul. 15, 2008 (AU) 200813317

(51) **LOC (9) Cl.** **02-03**

(52) **U.S. Cl.** **D2/876**

(58) **Field of Classification Search** D2/865,
D2/866, 869, 870, 871, 872, 873, 874, 875,
D2/876, 877, 878, 879, 880, 881, 882, 883,
D2/884, 886, 888, 891, 893, 895; 2/9, 12,
2/171, 171.1, 172, 181, 181.2, 181.4, 181.6,
2/181.8, 182.1, 182.2, 182.3, 182.4, 182.5,
2/182.6, 182.7, 182.8, 183, 184, 209.11,
2/209.12, 209.13, 175.1, 175.2, 175.5, 195.1,
2/195.2, 195.3, 195.4

See application file for complete search history.

(56) **References Cited**

U.S. PATENT DOCUMENTS

1,247,415 A * 11/1917 Lattimore 2/195.7
2,081,088 A * 5/1937 Guntrup 2/12
2,410,158 A * 10/1946 Gardner 2/209.3
2,594,906 A * 4/1952 Gardner 2/171.01
2,988,743 A * 6/1961 Wagenfeld 2/12
3,184,757 A * 5/1965 Pennington 2/171

3,266,056 A * 8/1966 De Villers et al. 2/12
3,271,778 A * 9/1966 Ferguson 2/12
3,710,392 A * 1/1973 Morris, Jr. 2/12
4,852,186 A * 8/1989 Landis 2/9
4,920,576 A * 5/1990 Landis 2/9
4,964,171 A * 10/1990 Landis 2/9
5,010,590 A * 4/1991 Haber et al. 2/12
D364,953 S * 12/1995 Bell D2/882
D391,387 S * 3/1998 Pogrebitsky et al. D2/876
6,092,239 A * 7/2000 Pogrebitsky et al. 2/200.3
D591,932 S * 5/2009 Groves et al. D2/874

FOREIGN PATENT DOCUMENTS

AU 323404 S * 12/2008

* cited by examiner

Primary Examiner—Elizabeth A Albert

Assistant Examiner—Karen E Eldridge Powers

(57) **CLAIM**

I claim the ornamental design for a visor, as shown and described.

DESCRIPTION

FIG. 1 is a front perspective view of the visor.

FIG. 2 is a rear perspective view of the visor.

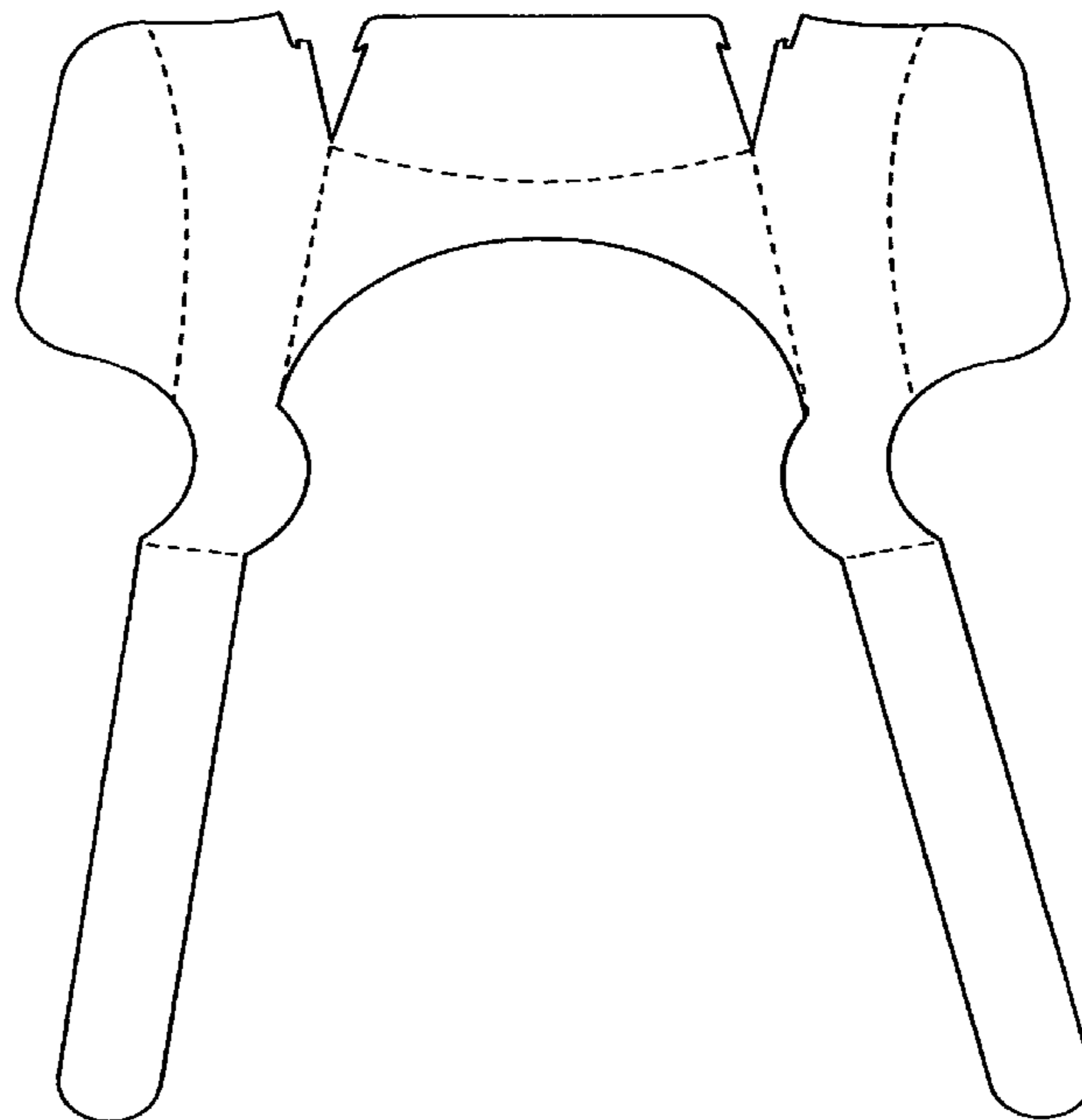
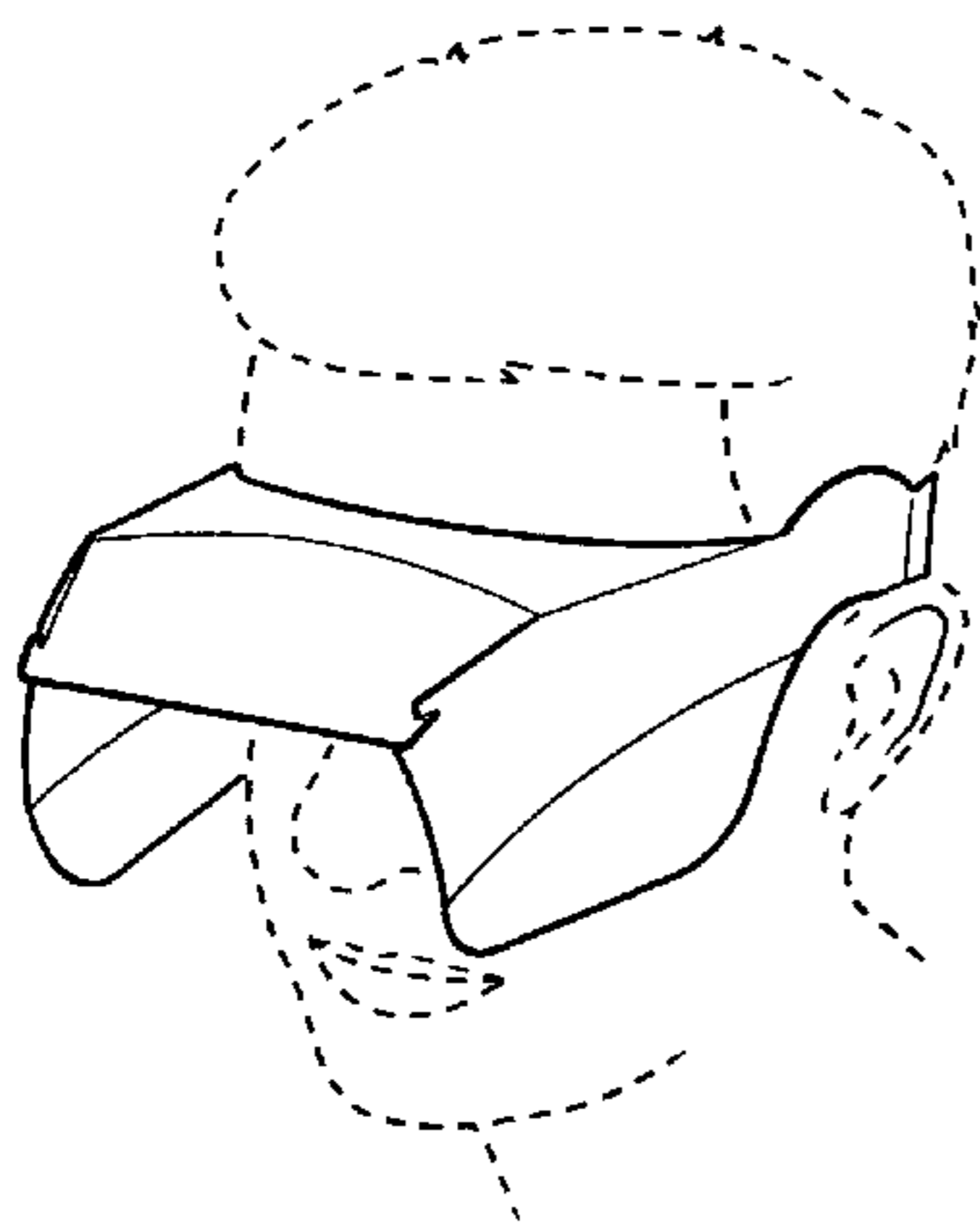
FIG. 3 is a front perspective view of the visor in use.

FIG. 4 is a side view of the visor in use; and,

FIG. 5 is a top plan view of the visor in a flattened state.

The broken lines showing a person in FIG. 3 illustrate the claimed design while in use, and form no part thereof. The broken lines in FIG. 5 are fold lines.

1 Claim, 5 Drawing Sheets



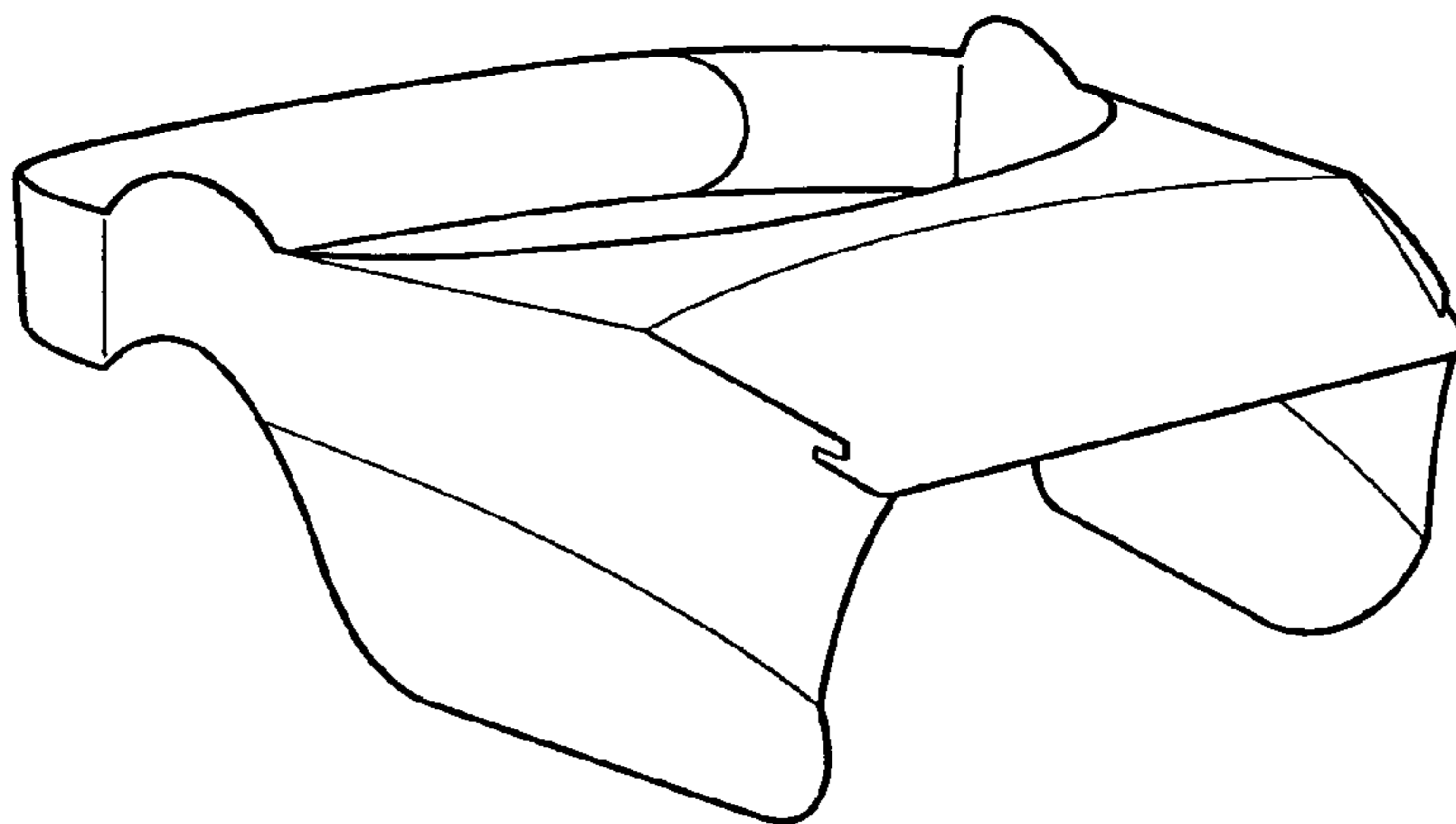


FIG. 1

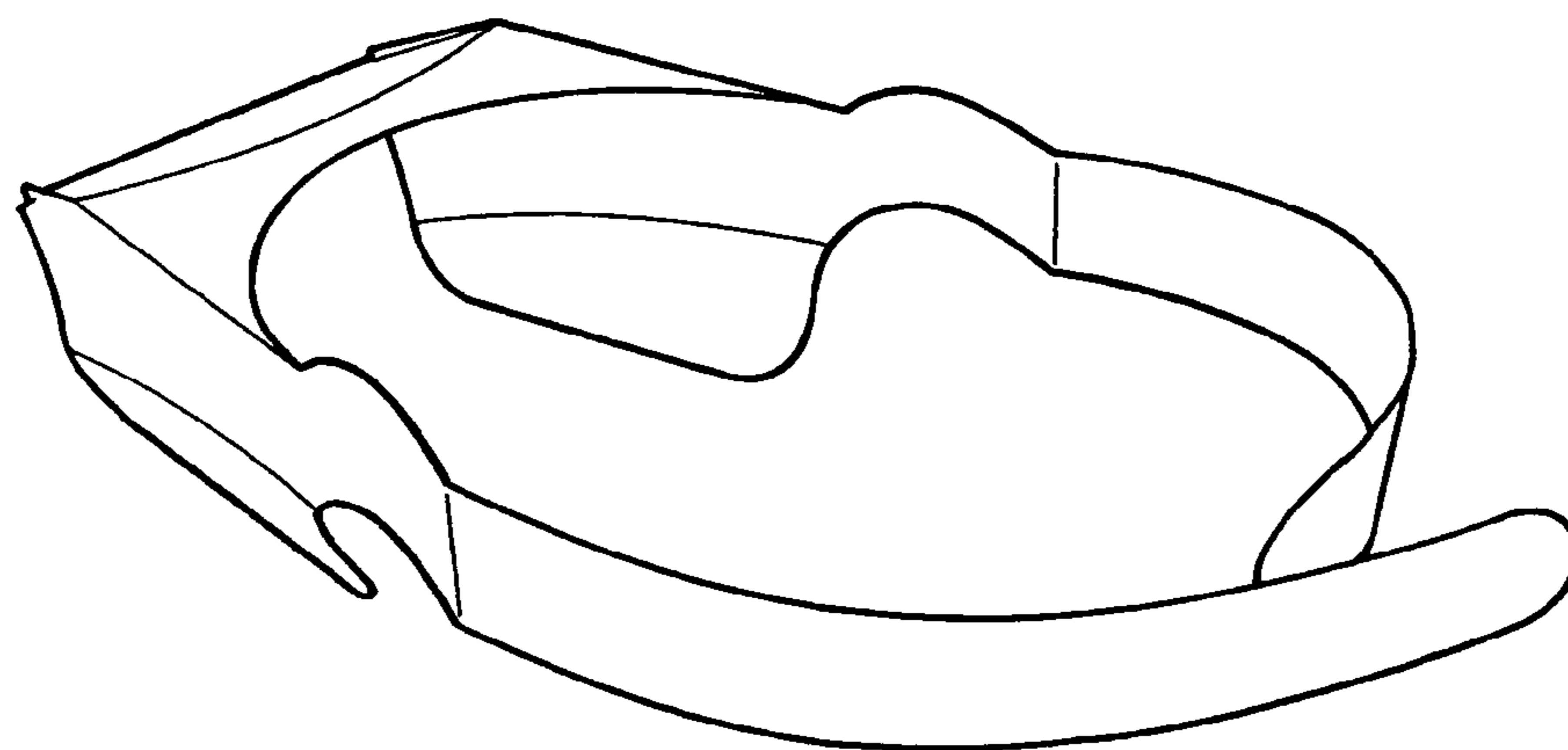


FIG. 2

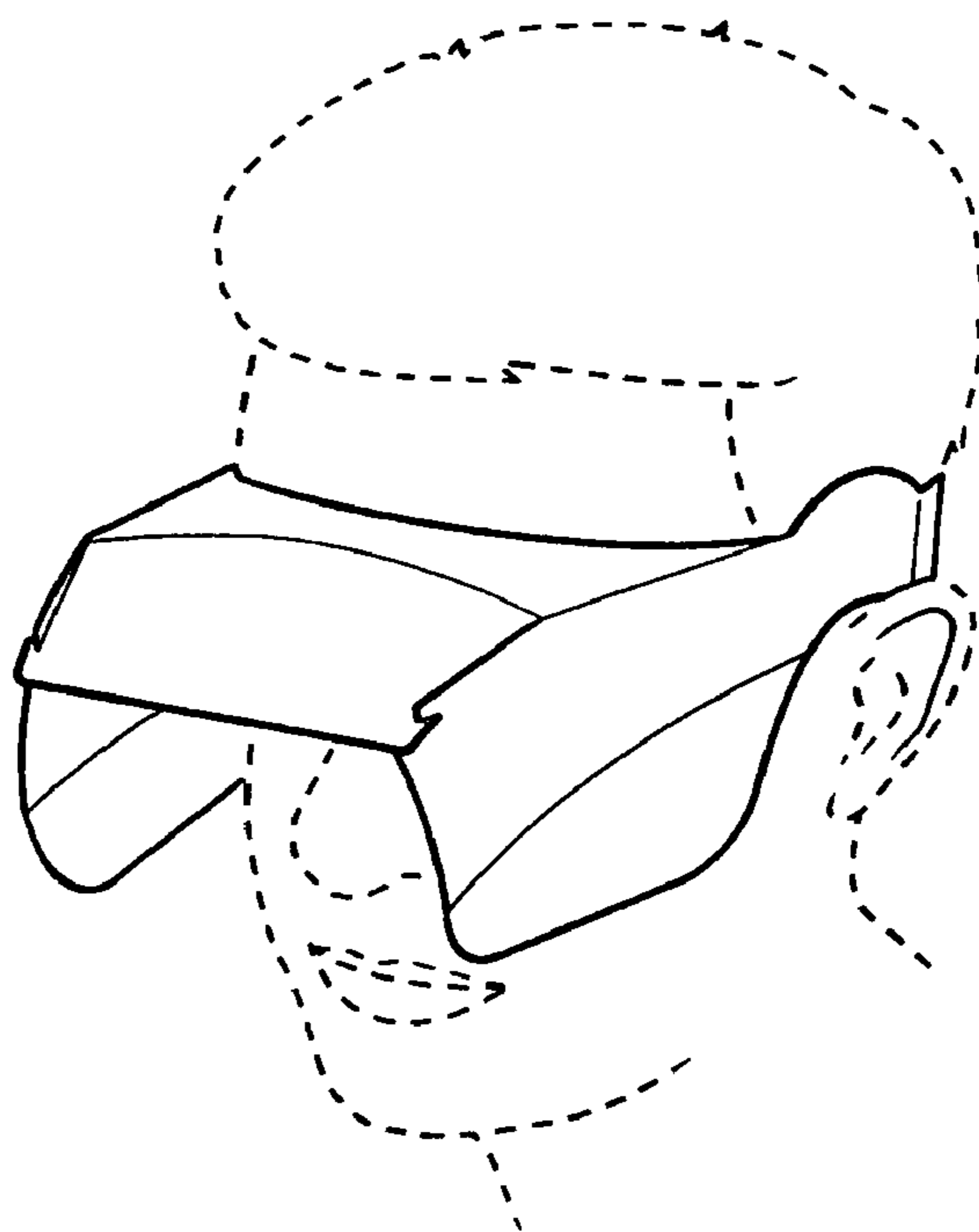


FIG. 3

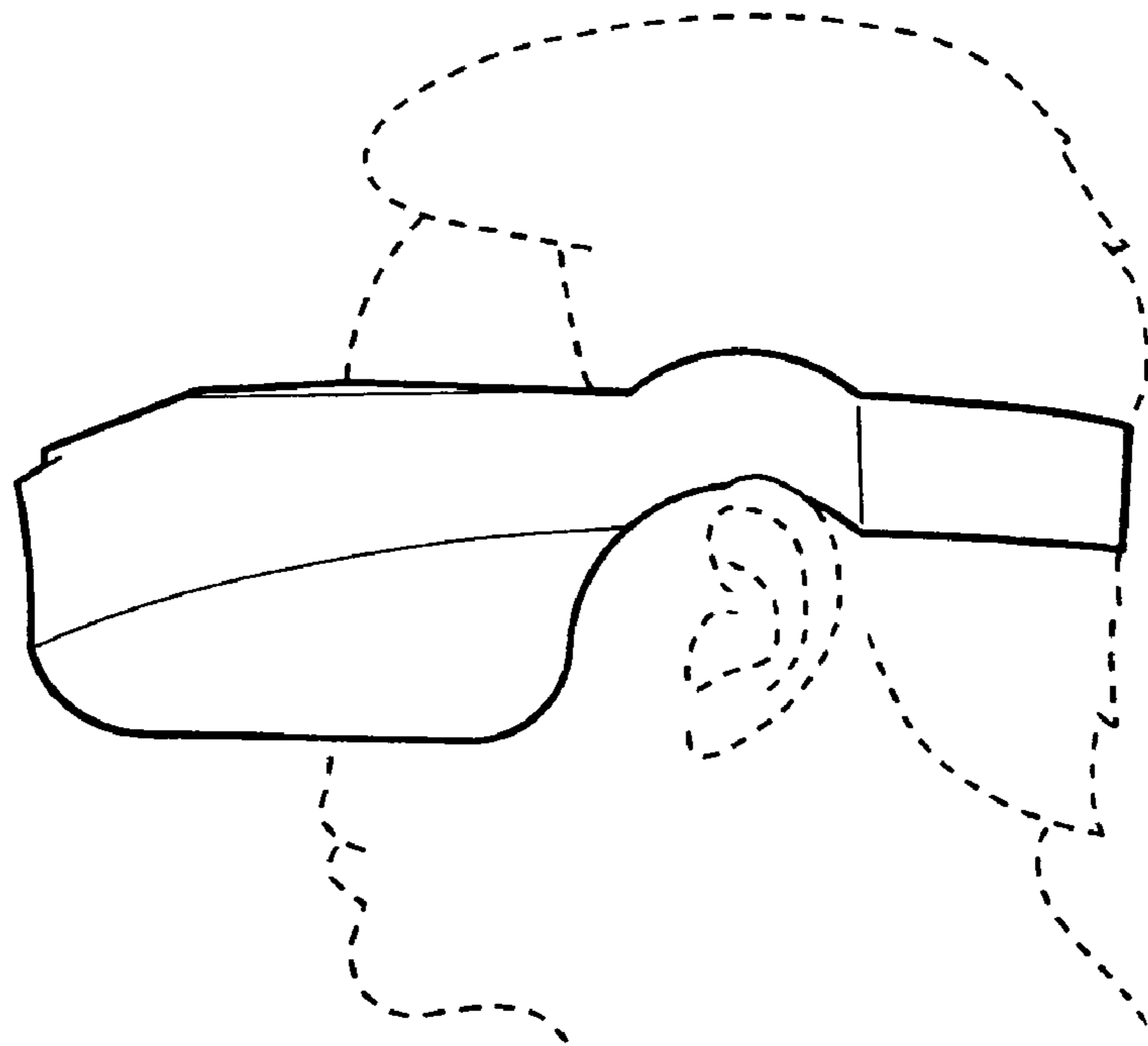


FIG. 4

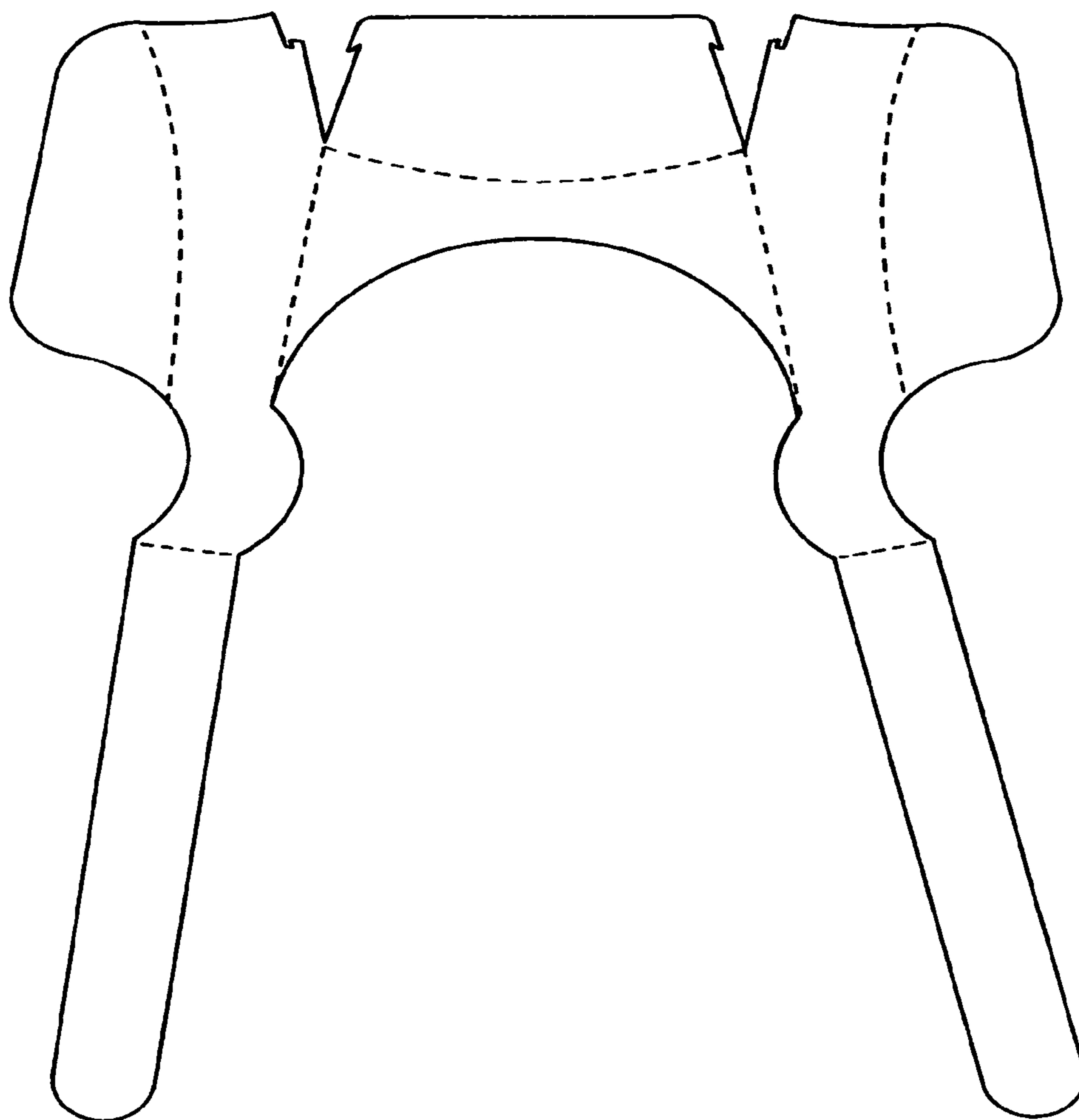


FIG. 5