



US00D621135S

(12) **United States Design Patent**  
**Harrison**

(10) **Patent No.:** **US D621,135 S**

(45) **Date of Patent:** **\*\* Aug. 10, 2010**

(54) **DOUBLE-FASTENED POCKET**

(76) **Inventor:** **Doug Harrison**, 900 First St., Suite 1210, Honolulu, HI (US) 96813

(\*\*) **Term:** **14 Years**

(21) **Appl. No.:** **29/341,850**

(22) **Filed:** **Aug. 13, 2009**

(51) **LOC (9) Cl.** ..... **02-02**

(52) **U.S. Cl.** ..... **D2/857**

(58) **Field of Classification Search** ..... D2/857,  
D2/716, 735, 731, 738, 771, 742, 748, 786,  
D2/791, 812, 820; D3/215, 318; 2/86, 115,  
2/119, 227–229, 237, 247–254, 263

See application file for complete search history.

(56) **References Cited**

**U.S. PATENT DOCUMENTS**

D393,141 S *	4/1998	Glycenfer .....	D2/742
D405,237 S *	2/1999	Maslowski .....	D2/857
D474,892 S *	5/2003	Vazquez .....	D3/318
6,691,323 B2 *	2/2004	Widmer .....	2/247
D582,127 S *	12/2008	Johanns et al. ....	D2/857
D584,485 S *	1/2009	Lorenzi .....	D2/857
D596,829 S *	7/2009	Miller .....	D2/717
D608,079 S *	1/2010	Boyle et al. ....	D2/857
2008/0256690 A1 *	10/2008	Grilliot et al. ....	2/227

\* cited by examiner

*Primary Examiner*—Ian Simmons

*Assistant Examiner*—Wan Laymon

(74) *Attorney, Agent, or Firm*—QuickPatents, Inc.; Kevin Prince

(57) **CLAIM**

I claim the ornamental design for a double-fastened pocket, as shown and described.

**DESCRIPTION**

FIG. 1 is a perspective view of a double-fastened pocket, illustrated in an open position, showing my new design;

FIG. 2 is a front elevational view thereof, illustrated in a closed position;

FIG. 3 is a front elevational view thereof, illustrated in the open position;

FIG. 4 is a left-side elevational view thereof, illustrated in the open position, the right-side elevational view being a mirror image thereof;

FIG. 5 is a top plan view thereof, illustrated in the open position;

FIG. 6 is a bottom plan view thereof, illustrated with a cover flap in a closed position;

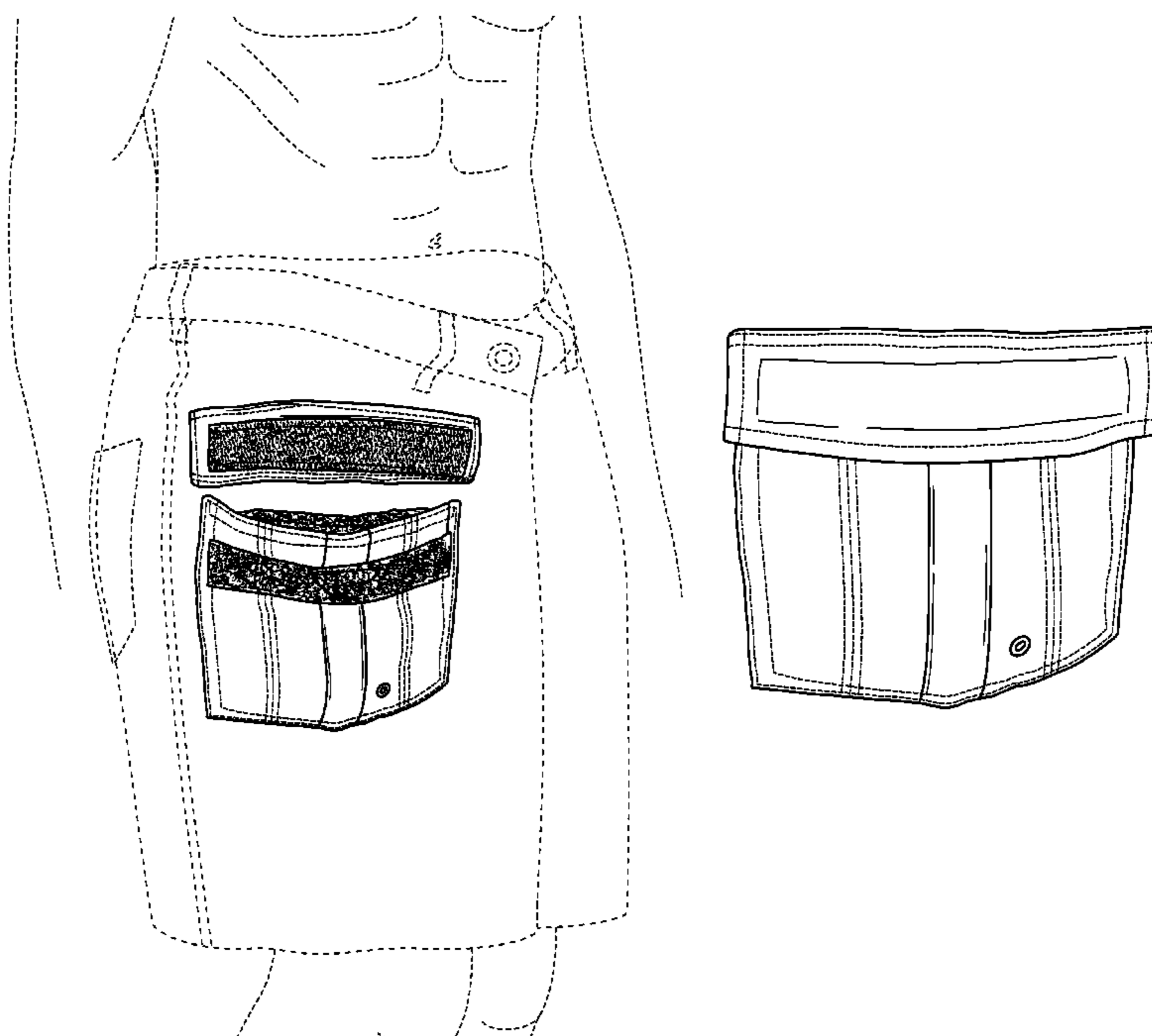
FIG. 7 is a cross-sectional view thereof, illustrated with the cover flap in the closed position and an internal fastener in an open position, taken generally along lines 7—7 of FIG. 6; and,

FIG. 8 is a cross-sectional view thereof, illustrated in the closed position, taken generally along lines 7—7 of FIG. 6.

The broken lines showing a person and a pair of shorts in FIG. 1 are included for the purpose of illustrating the invention in use, and form no part of the claimed design.

The dashed lines shown on the pocket represent stitches.

**1 Claim, 3 Drawing Sheets**



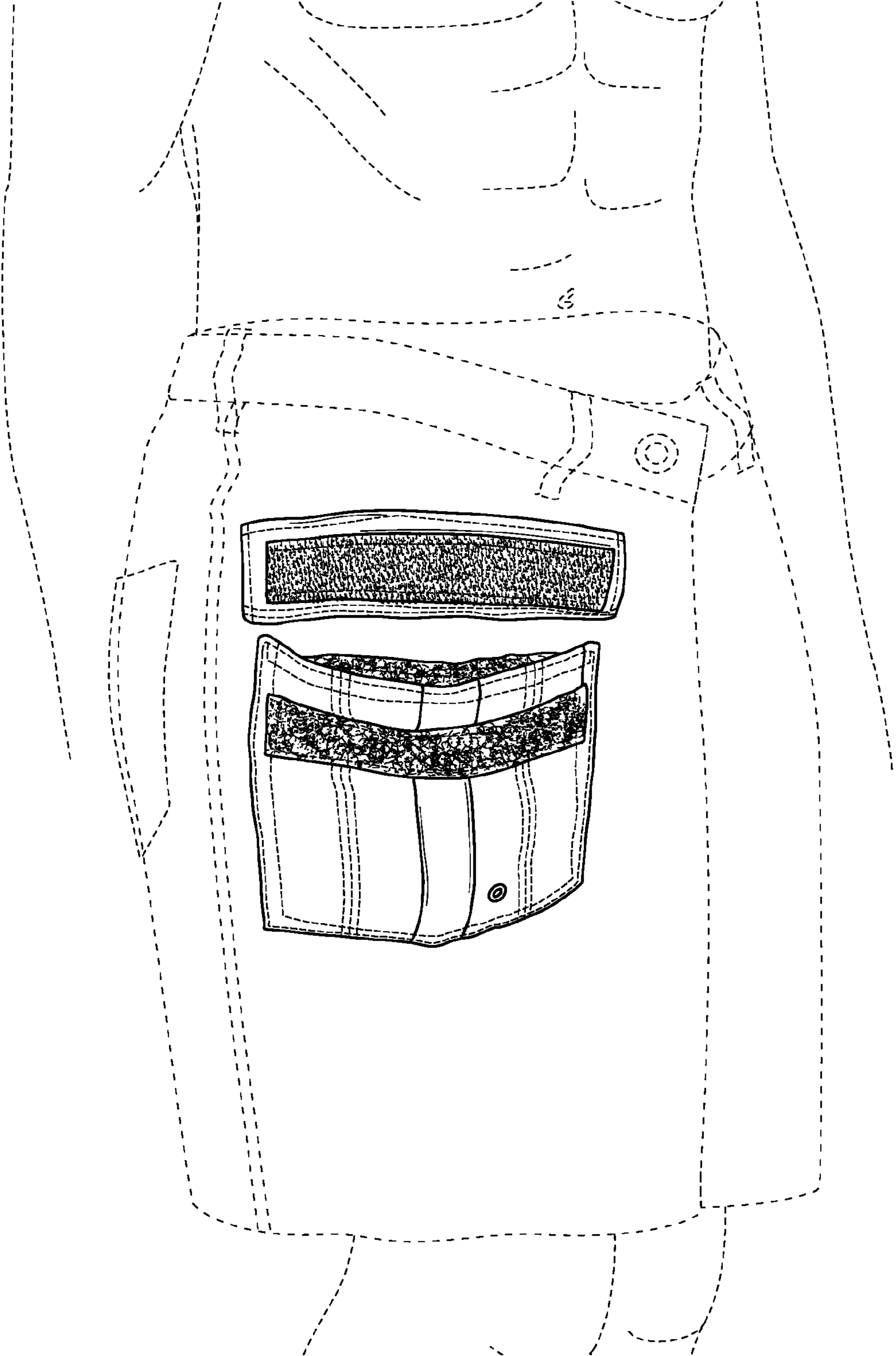


FIG. 1

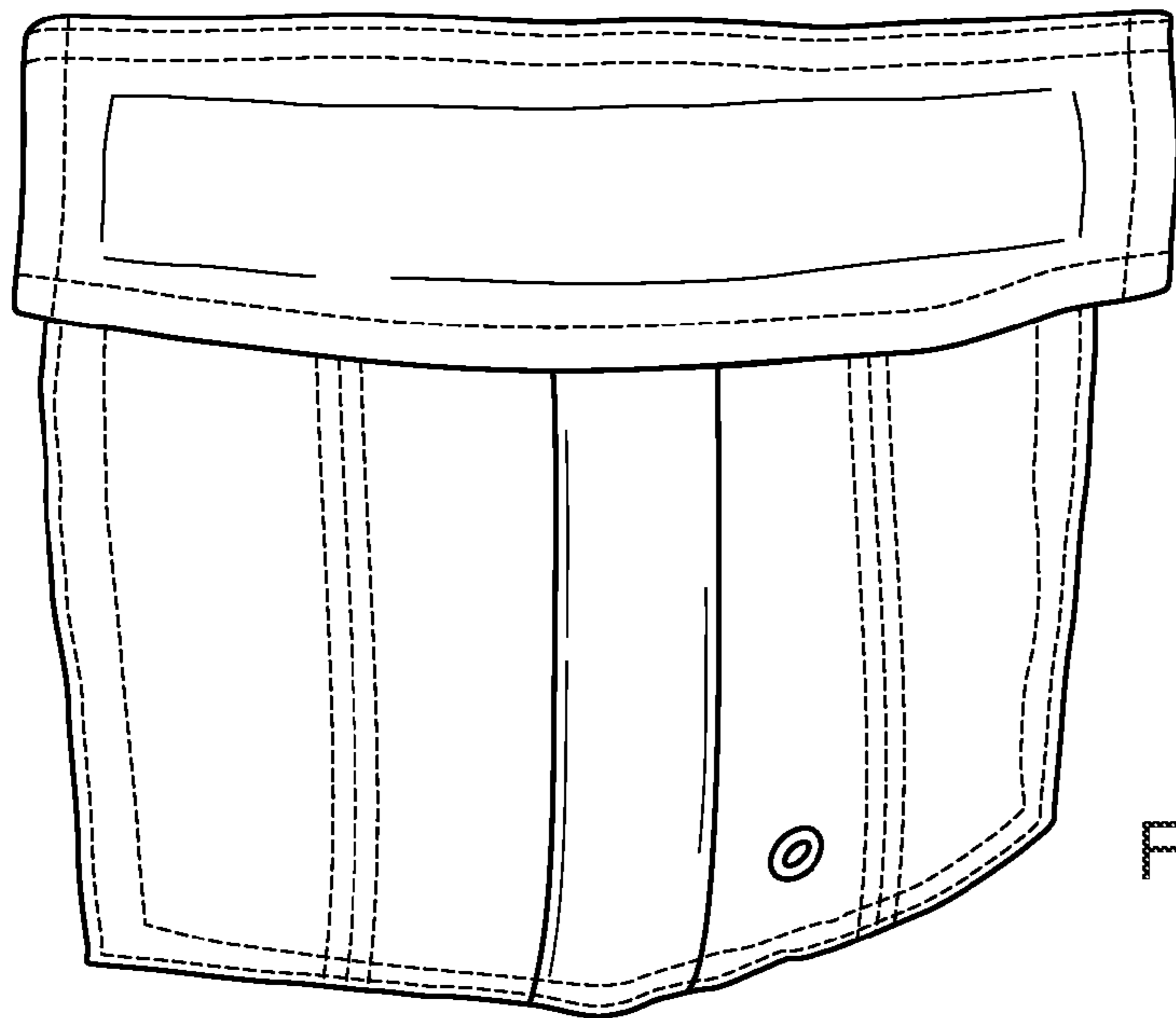


FIG. 2

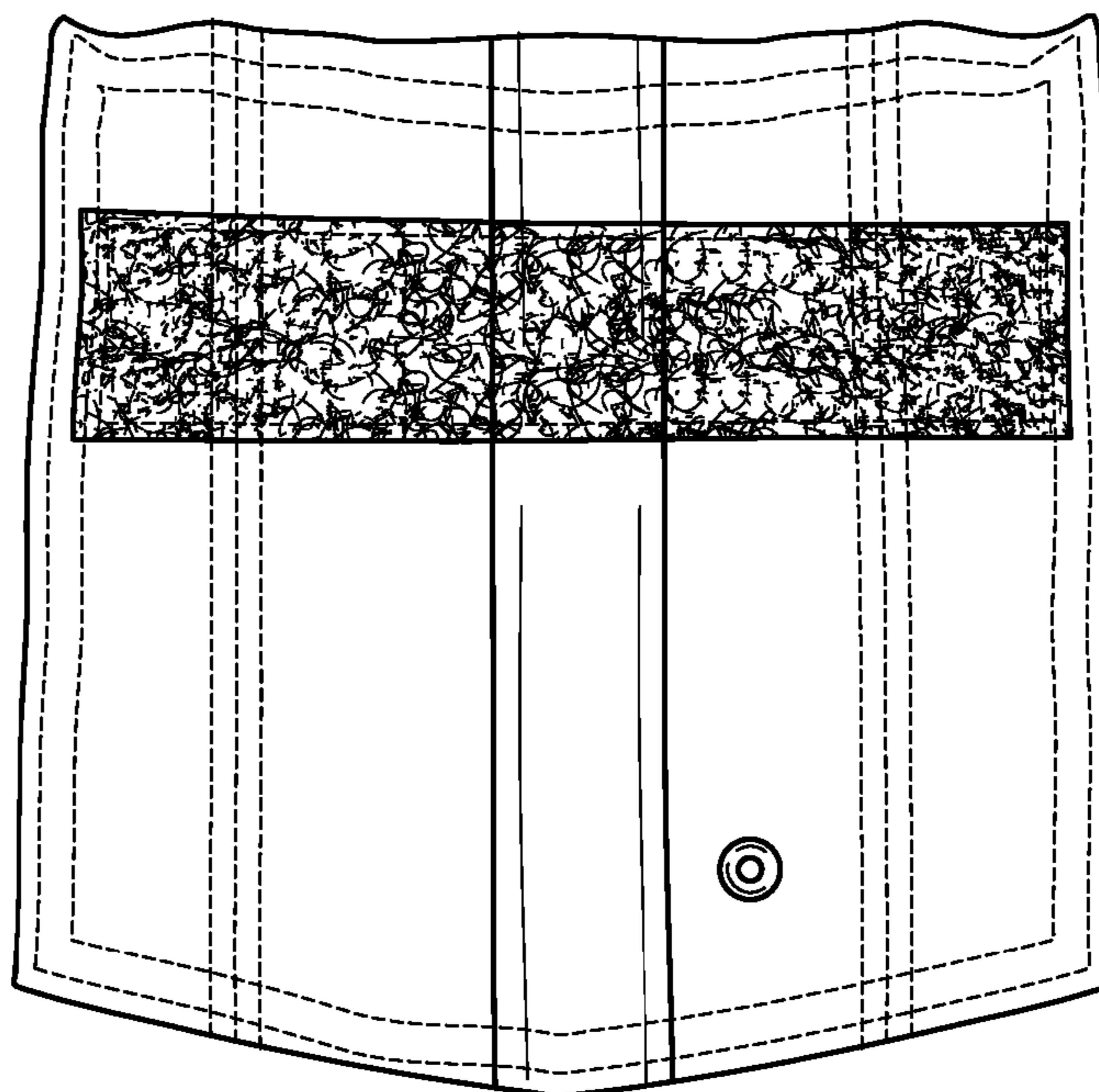
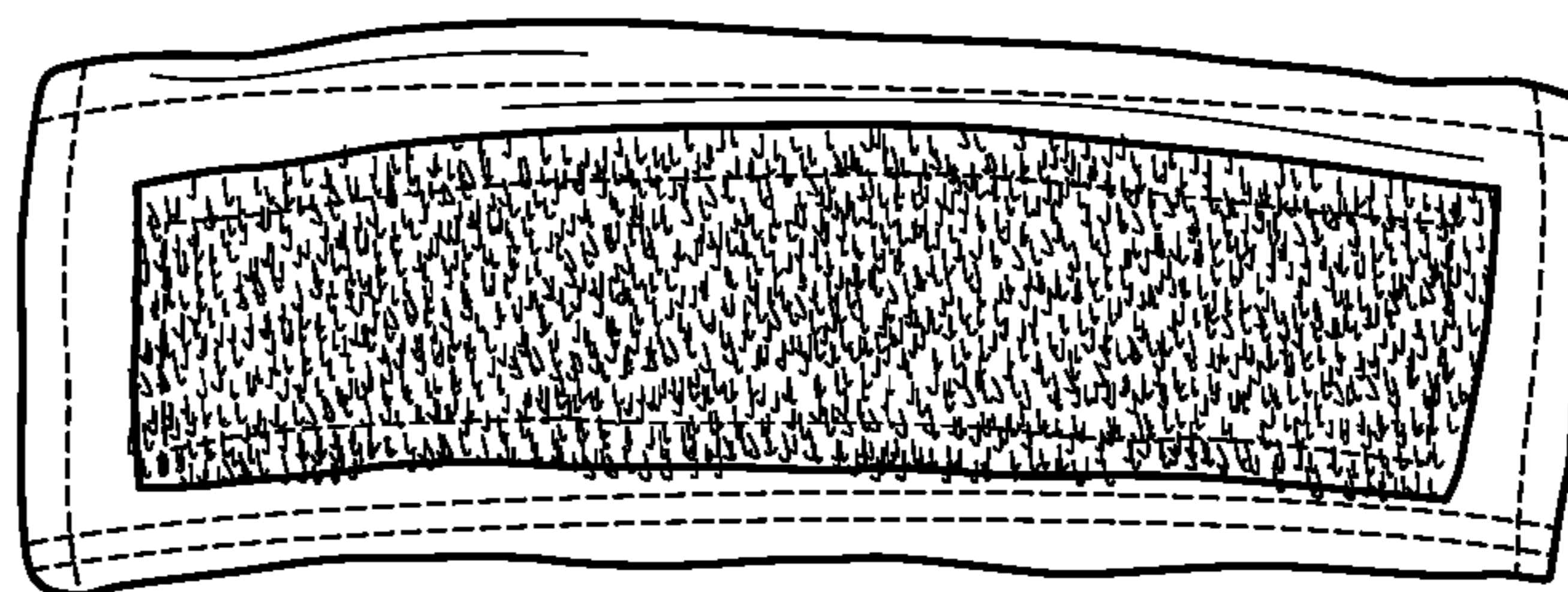


FIG. 3

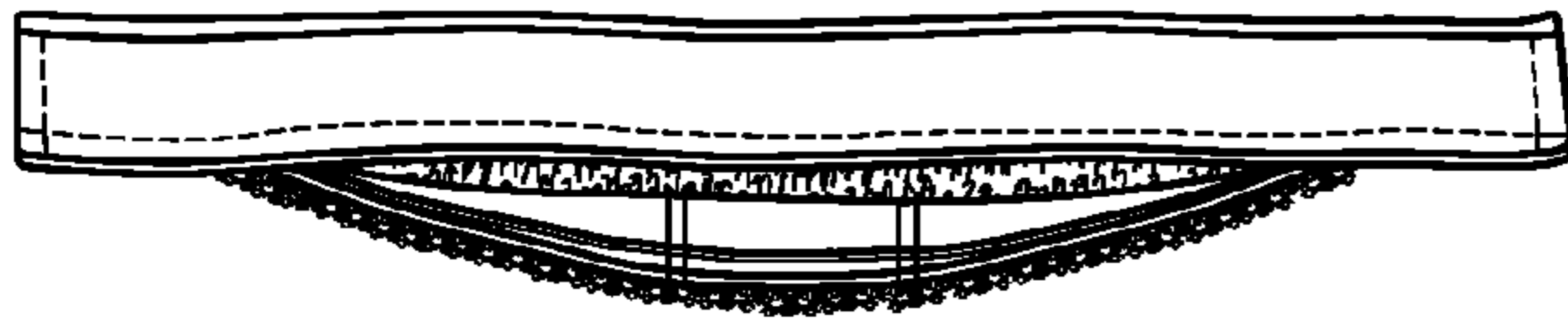


FIG. 5

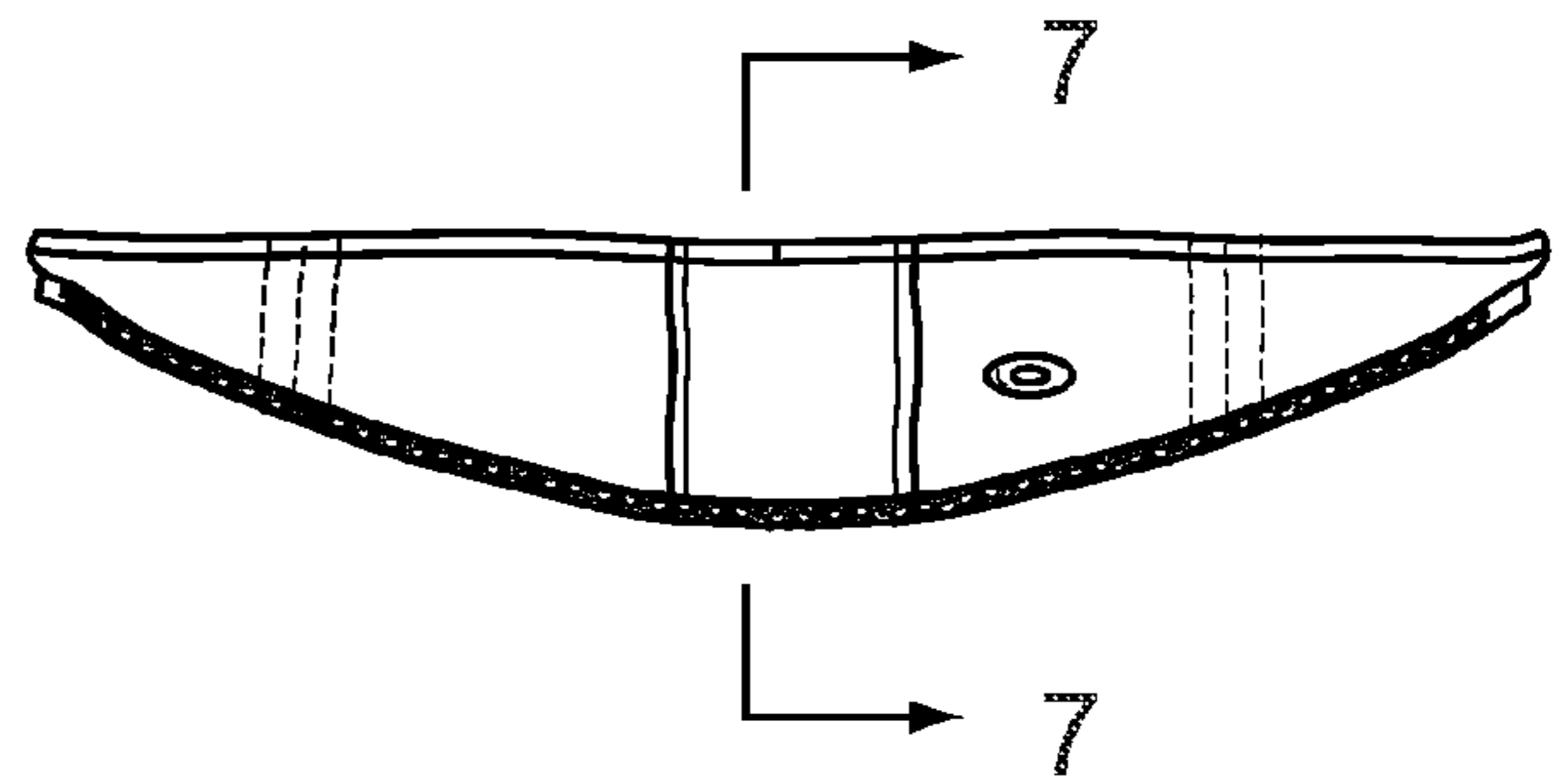


FIG. 6

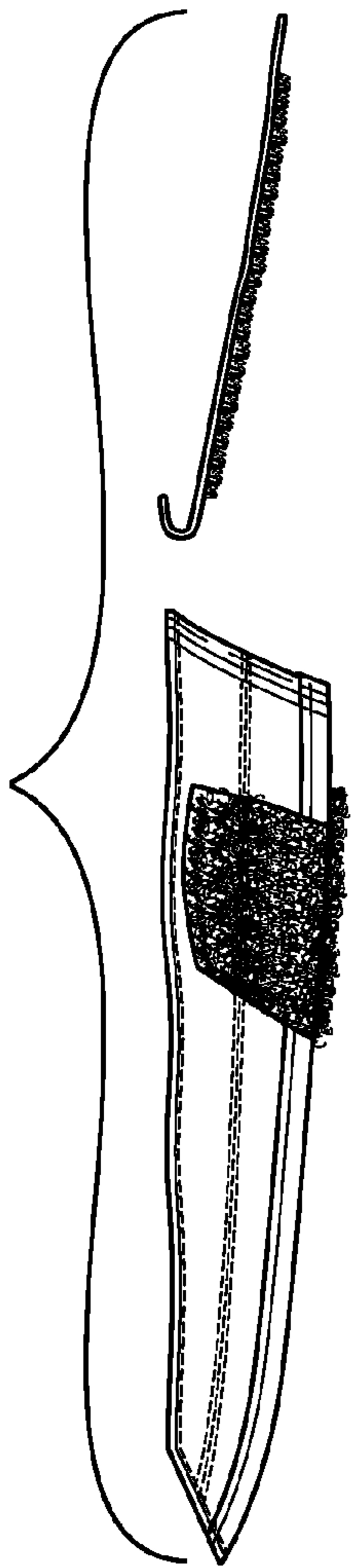


FIG. 4

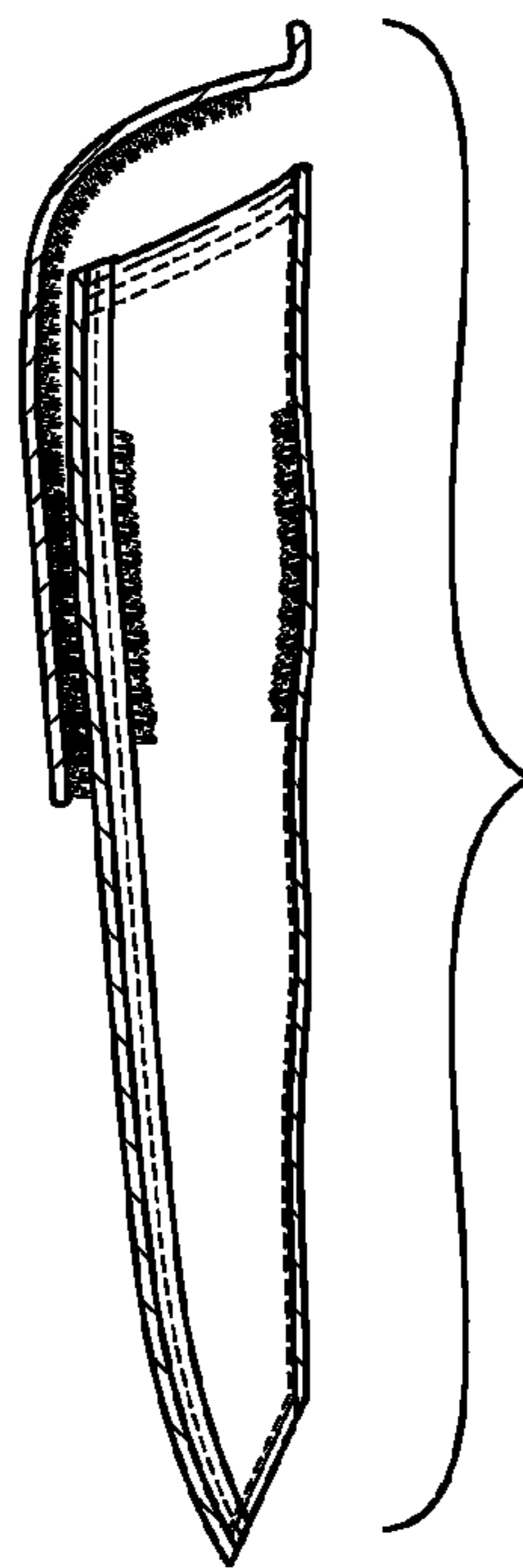


FIG. 7

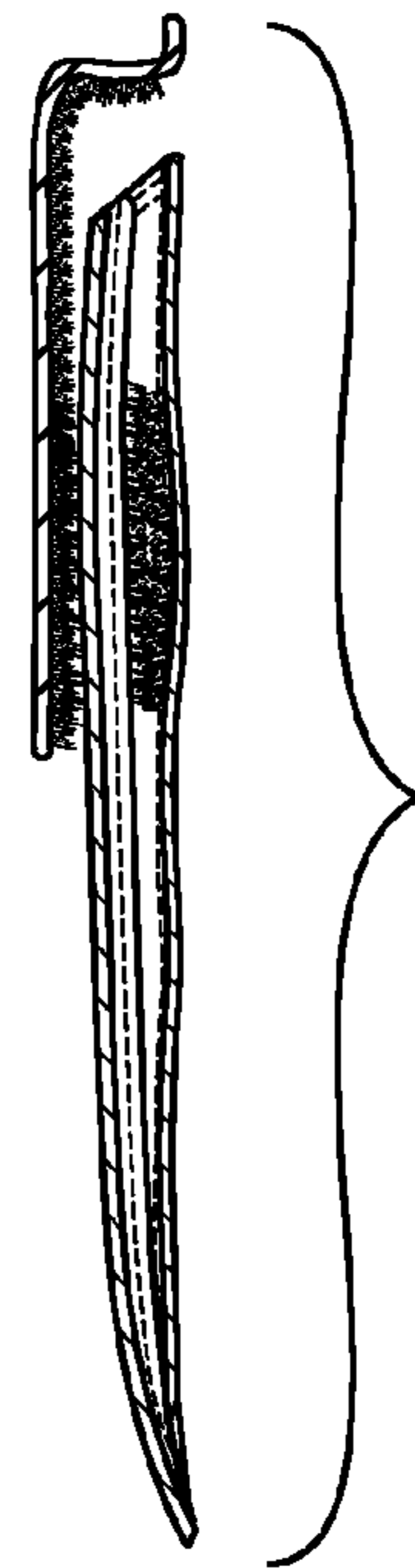


FIG. 8