



US00D621128S

(12) **United States Design Patent**  
**Glover**

(10) **Patent No.:** **US D621,128 S**

(45) **Date of Patent:** **\*\* Aug. 10, 2010**

(54) **BIB HOLDER**

D578,781 S \* 10/2008 Hansen ..... D6/328  
D611,678 S \* 3/2010 Bailey ..... D2/624

(76) Inventor: **Zena E. Glover**, 228 Casey St.,  
Sandston, VA (US) 23150

\* cited by examiner

(\*\*) Term: **14 Years**

*Primary Examiner*—T. Chase Nelson

*Assistant Examiner*—Kathleen M Sims

(21) Appl. No.: **29/342,437**

(74) *Attorney, Agent, or Firm*—Thomas, Karceski, Raring &  
Teague, PC

(22) Filed: **Aug. 25, 2009**

(57) **CLAIM**

(51) **LOC (9) Cl.** ..... **02-07**

(52) **U.S. Cl.** ..... **D2/624**

(58) **Field of Classification Search** ..... D2/624–626,  
D2/605, 608, 623, 632, 860–863; 2/49.1,  
2/52, 46, 48, 144, 171, 181, 227, 310–312,  
2/338, 639–640; D28/39–40; D11/200–202,  
D11/215; D6/315, 323, 326

The ornamental design for a bib holder, as shown and  
described.

See application file for complete search history.

**DESCRIPTION**

(56) **References Cited**

**U.S. PATENT DOCUMENTS**

D24,796 S \* 10/1895 Sulzner ..... D11/215  
D328,668 S \* 8/1992 Legrand ..... D2/978  
D385,415 S \* 10/1997 Turbide ..... D3/207  
D399,986 S \* 10/1998 Schultheis ..... D2/624  
D420,800 S \* 2/2000 Hicks et al. .... D3/318  
D439,202 S \* 3/2001 Takabayashi ..... D11/215  
D455,339 S \* 4/2002 Tsai ..... D8/395  
D470,644 S \* 2/2003 Sherman ..... D2/891  
D520,078 S \* 5/2006 Pollack ..... D21/453

FIG. 1 is a perspective view of a bib holder showing the new  
design wherein the bib holder is supporting a bib;

FIG. 2 is a front view of the bib holder;

FIG. 3 is a rear view thereof;

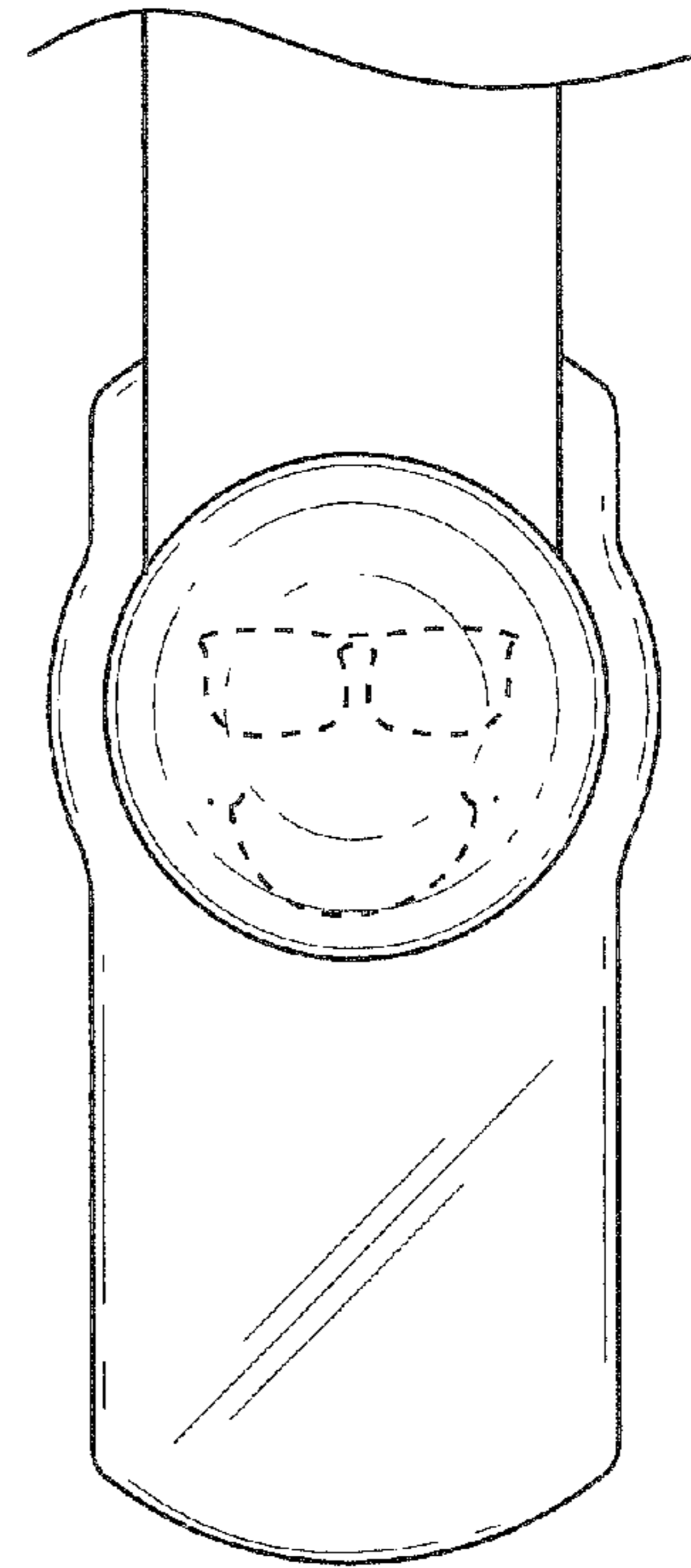
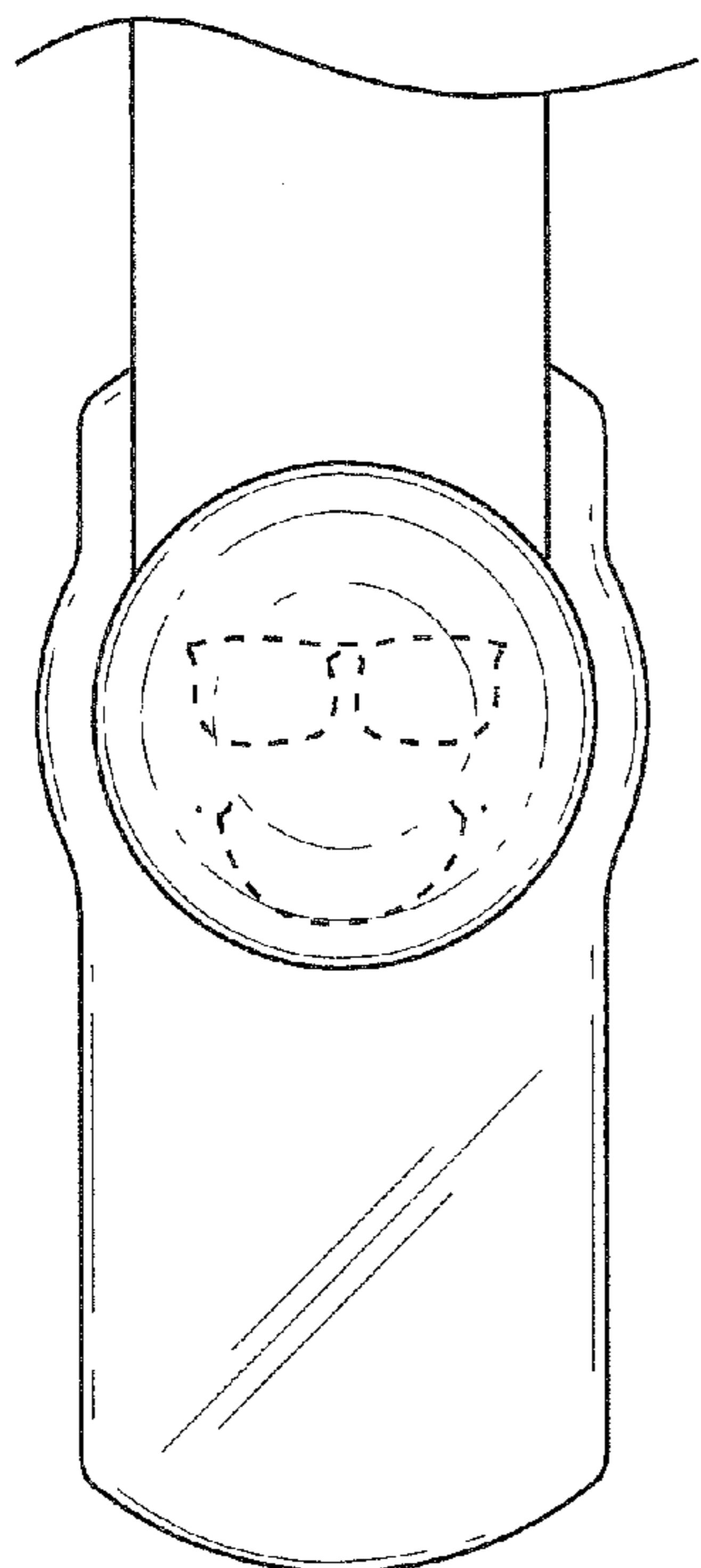
FIGS. 4 and 5 are side views thereof;

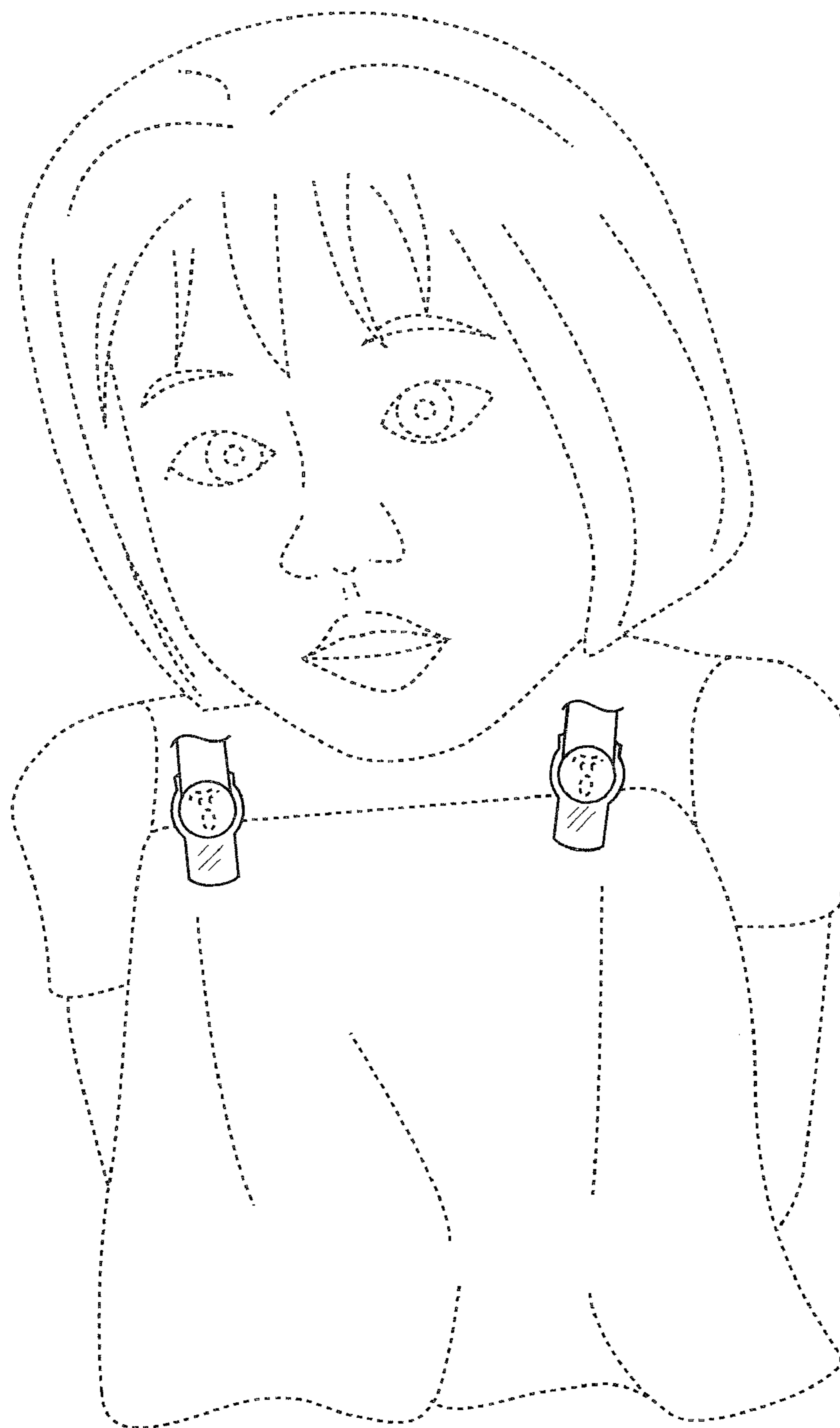
FIG. 6 is a bottom view thereof; and,

FIG. 7 is a top view thereof.

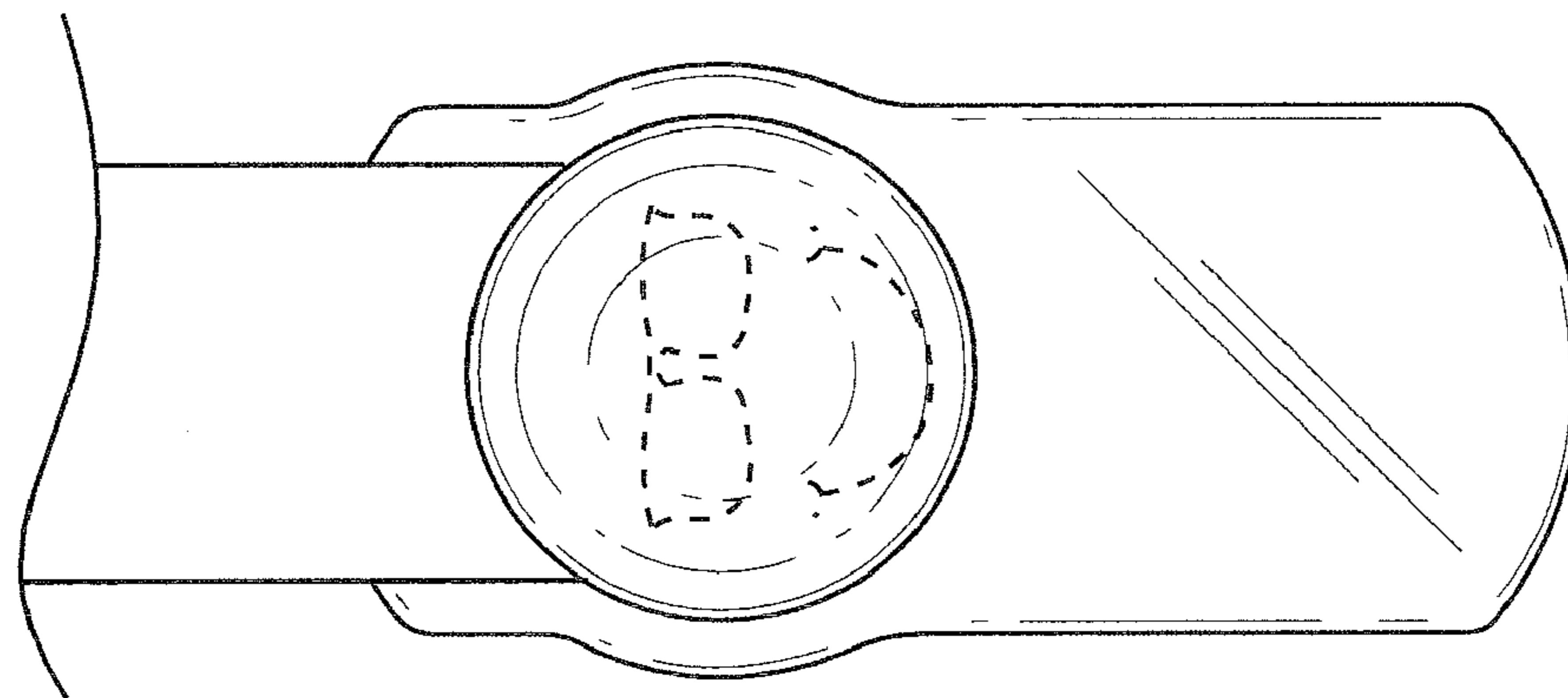
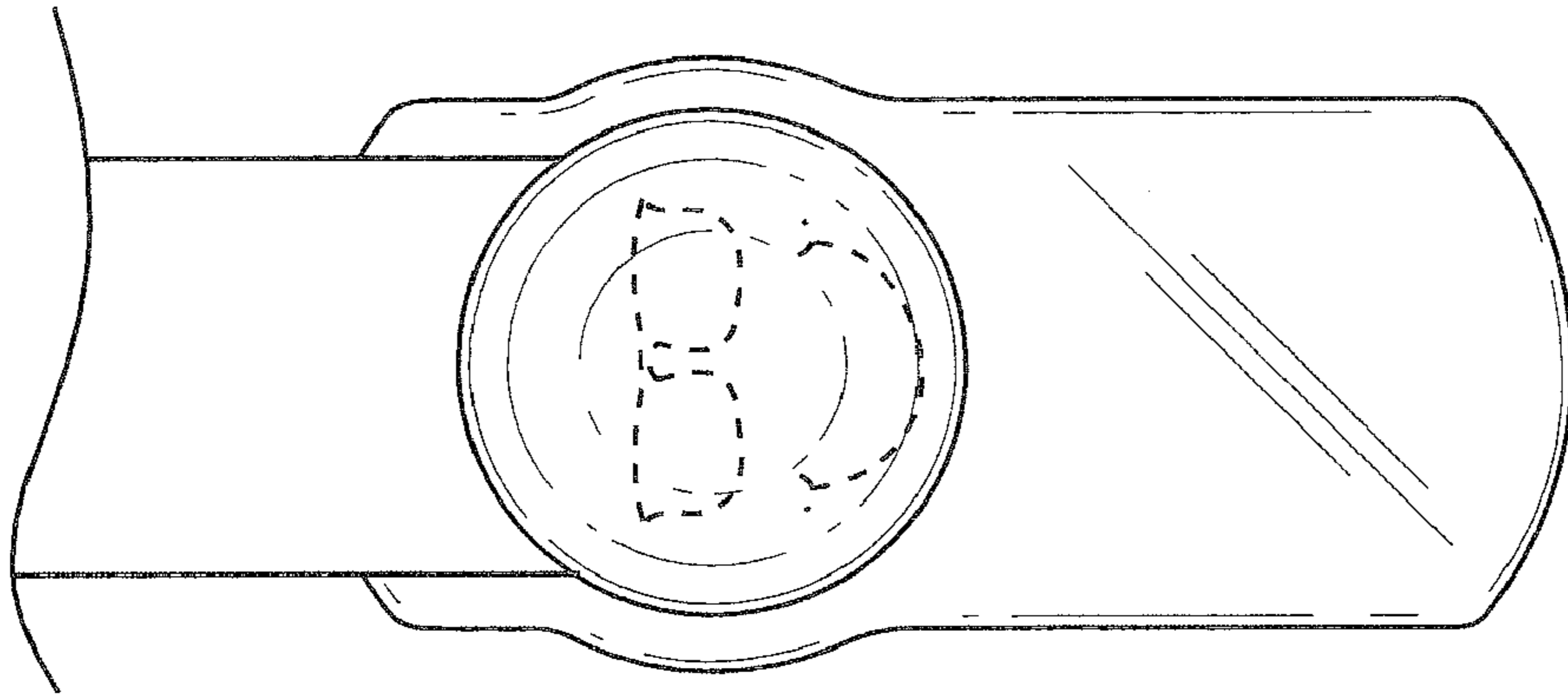
The broken line showing of details in FIGS. 1, 2, 3, 5, and 7  
is included for the purpose of showing environmental por-  
tions of the bib holder and forms no part of the claimed  
design.

**1 Claim, 6 Drawing Sheets**

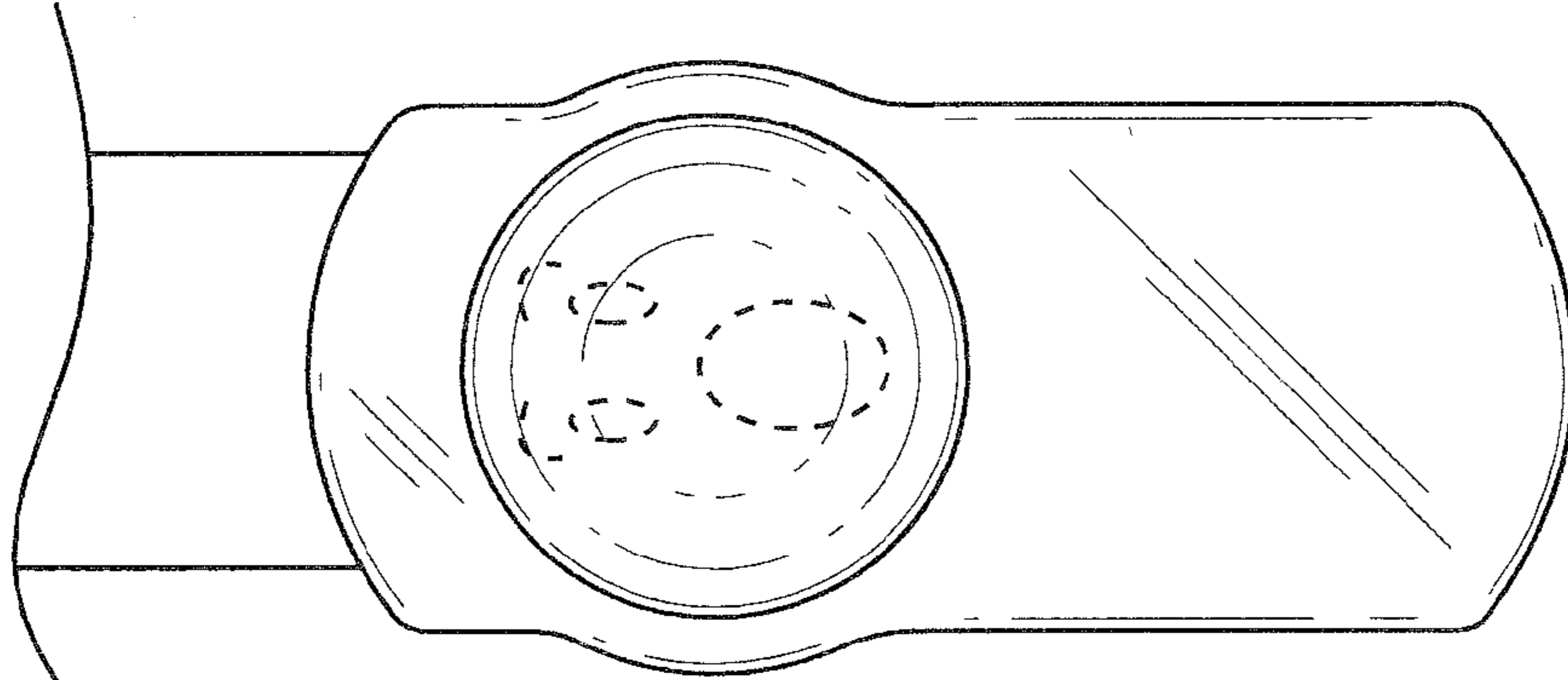
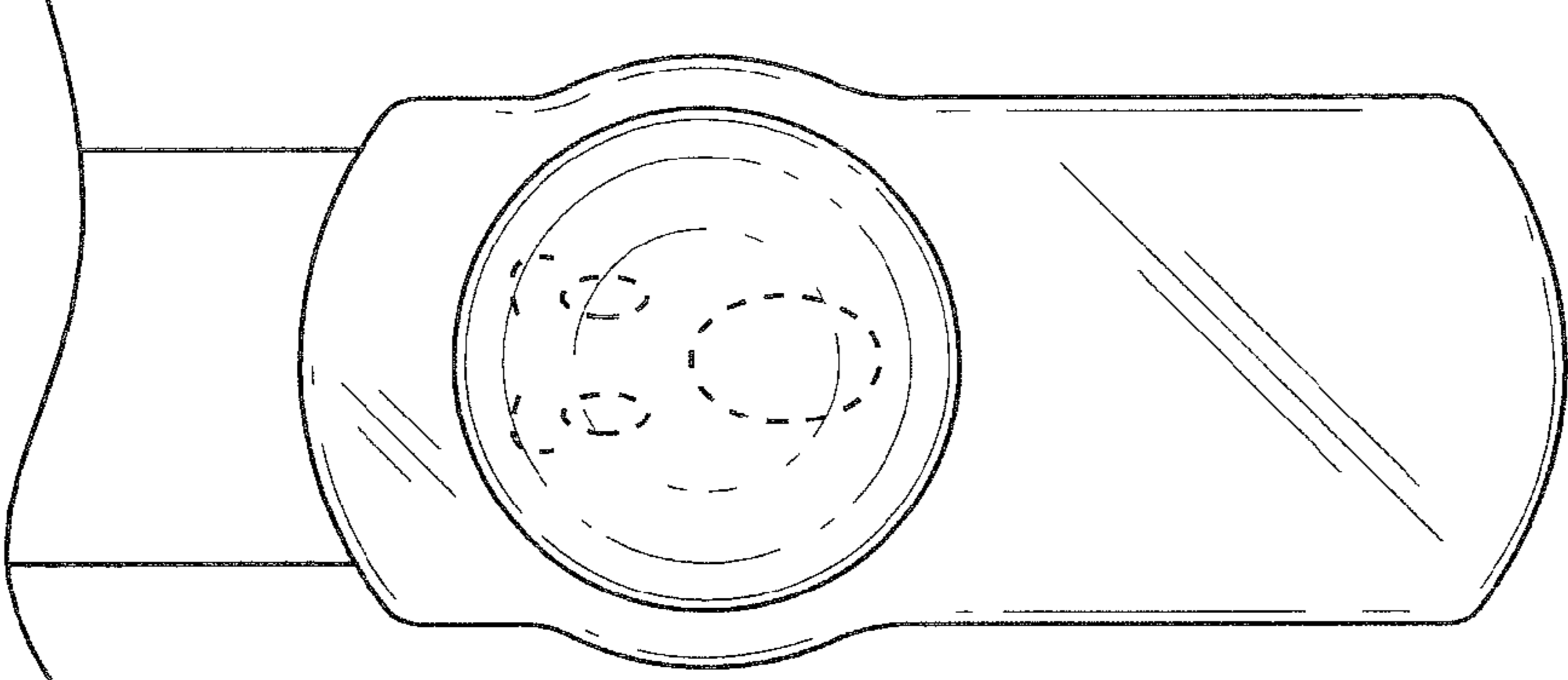




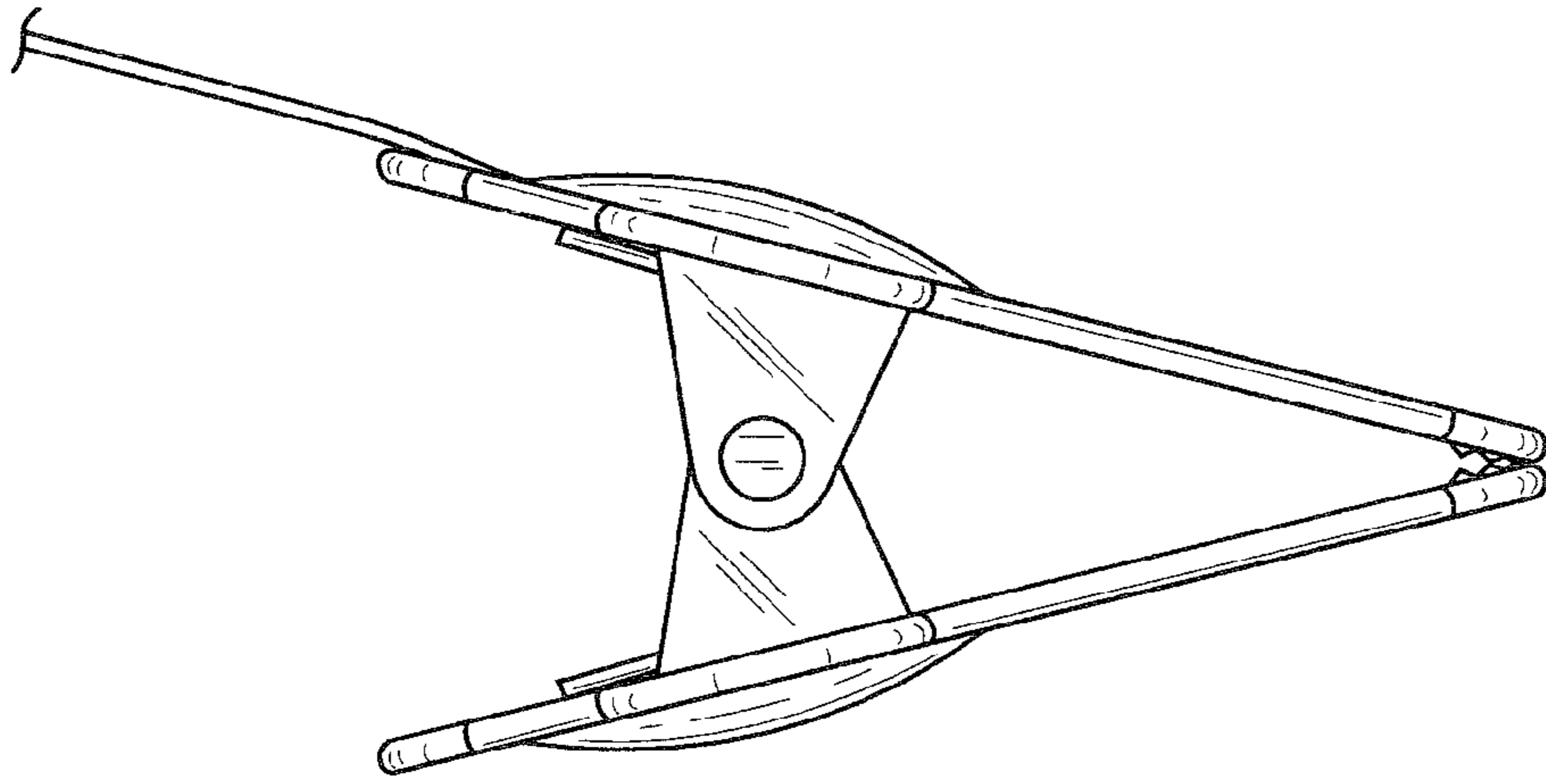
**FIG. 1**



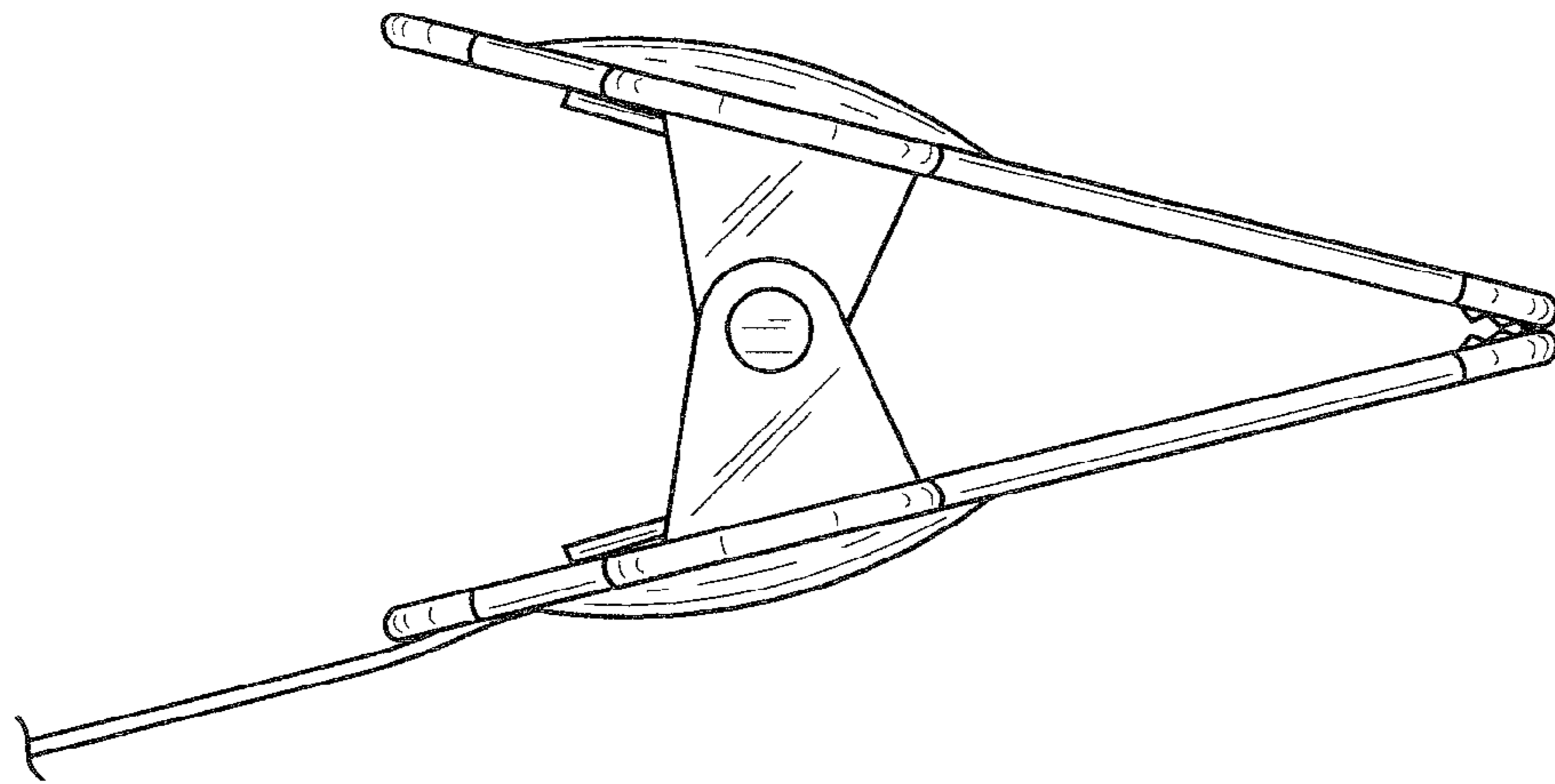
**FIG. 2**



**FIG. 3**

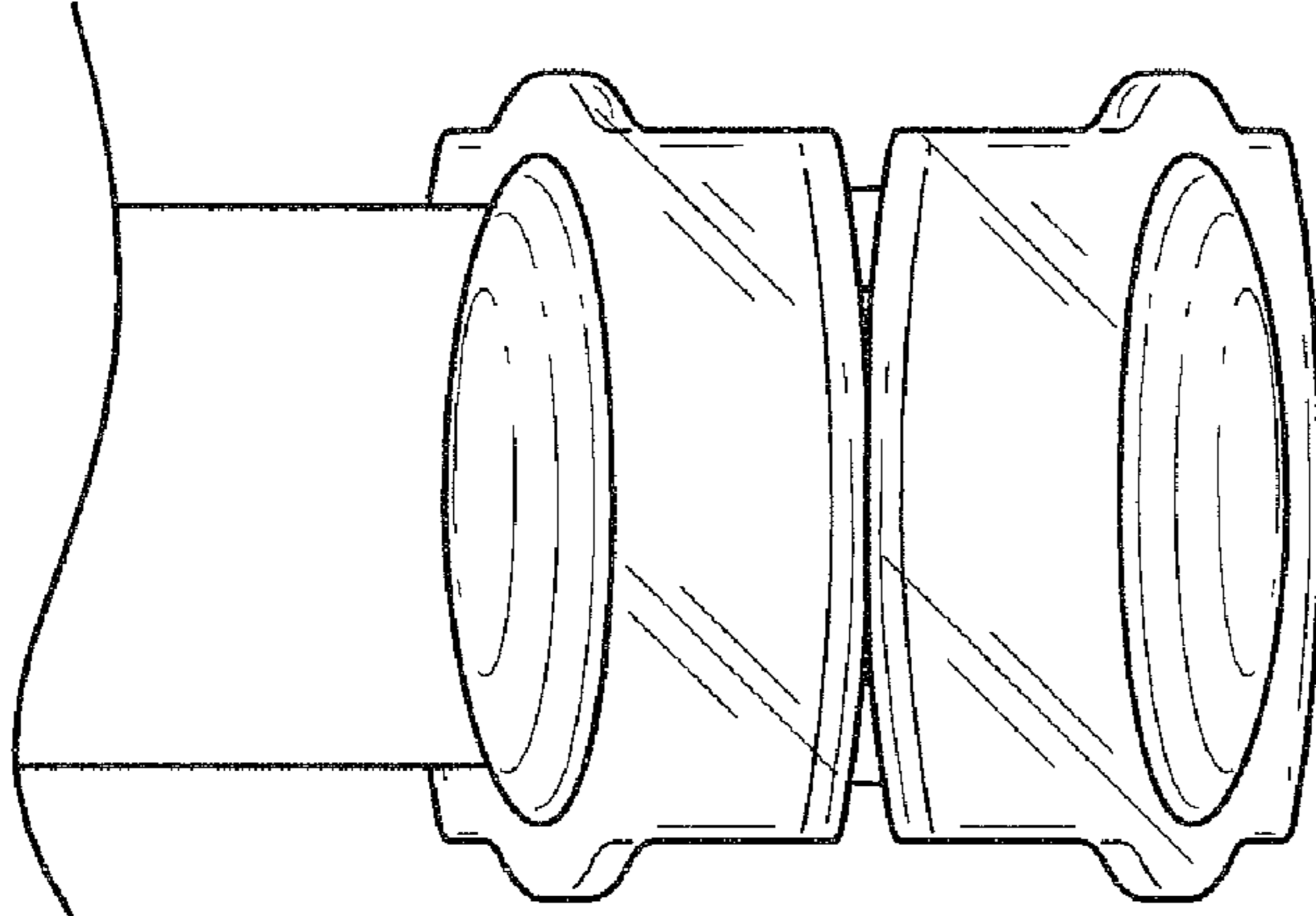
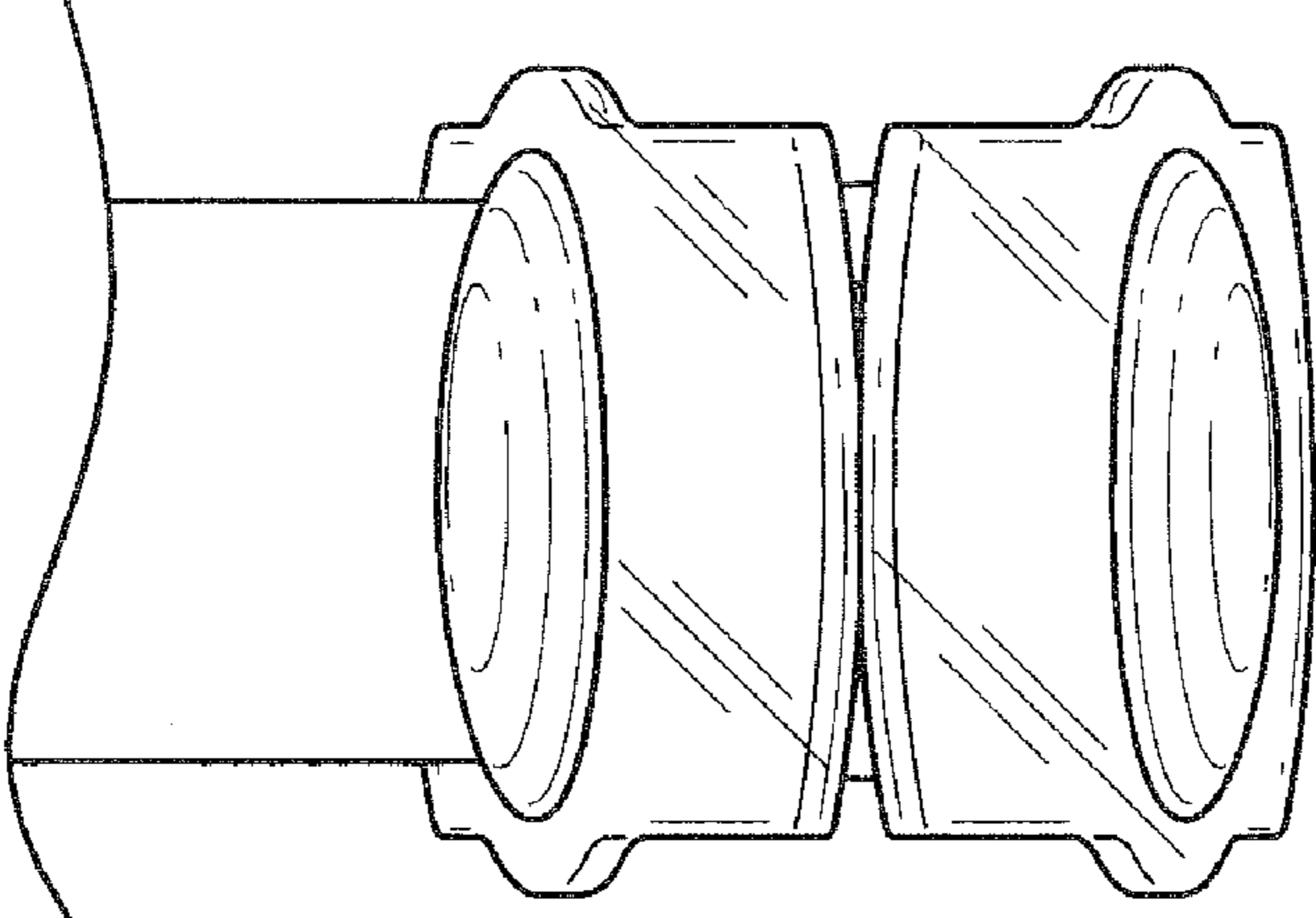


**FIG. 5**

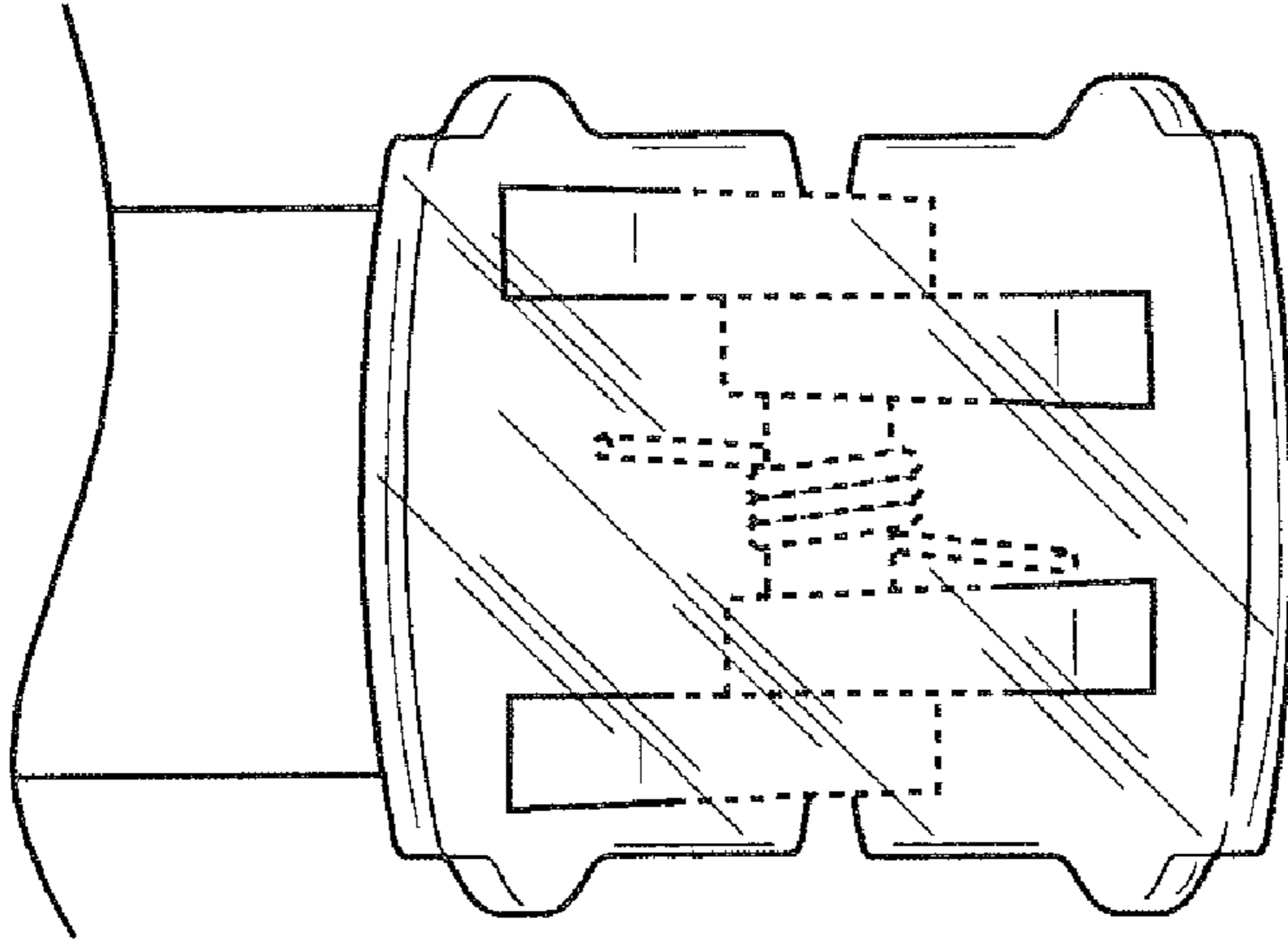
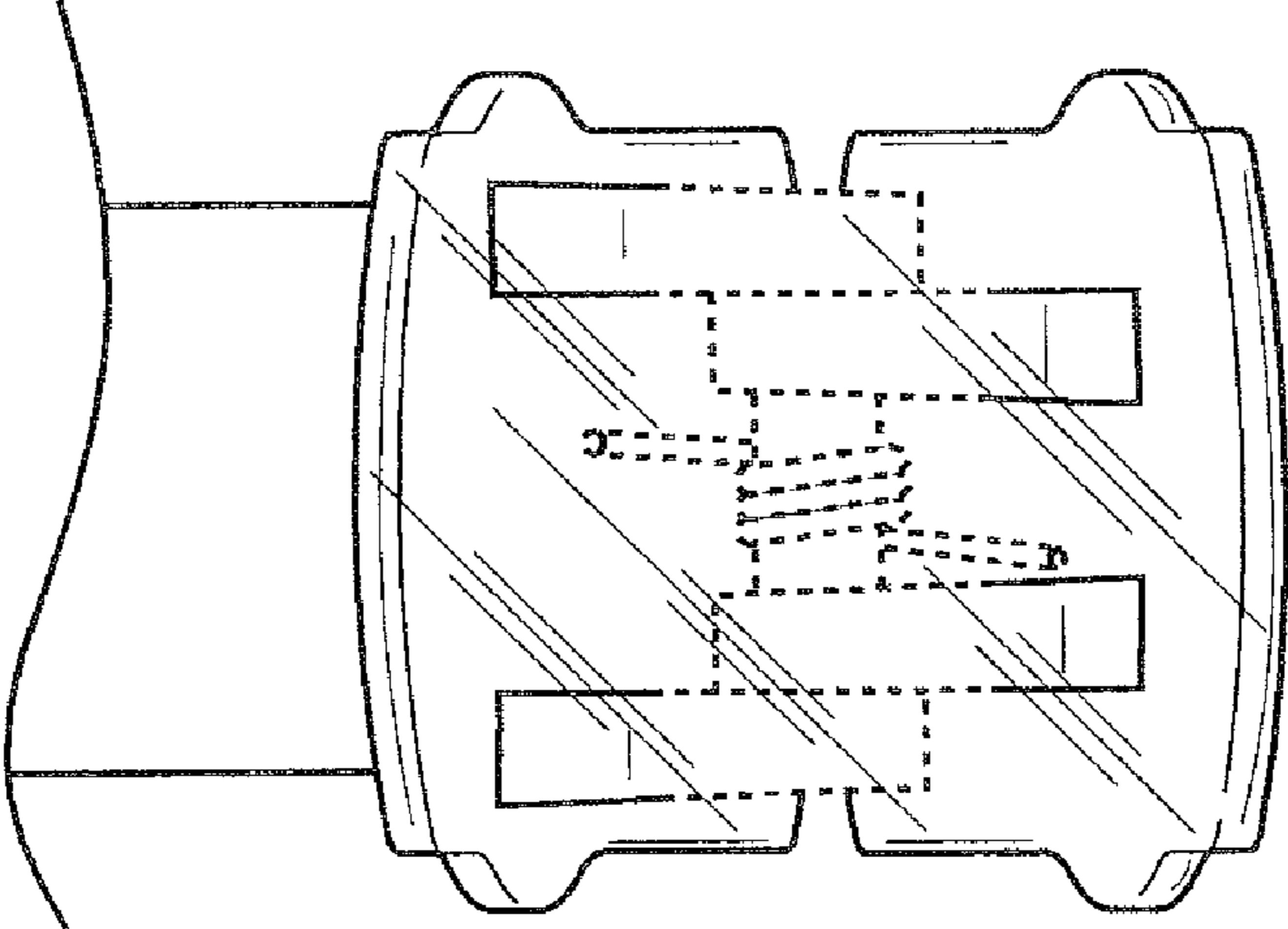


**FIG. 4**





**FIG. 6**



**FIG. 7**