



US00D621126S

(12) **United States Design Patent**
Haro et al.

(10) **Patent No.:** **US D621,126 S**

(45) **Date of Patent:** **** Aug. 10, 2010**

(54) **PUMPKIN-SHAPED FOOD PRODUCT**

D324,934 S 3/1992 Meyers, Jr. et al.

(75) Inventors: **Guillermo Haro**, Skokie, IL (US);
Ricardo Villota, Lake Zurich, IL (US)

(Continued)

(73) Assignee: **Kraft Foods Global Brands LLC**,
Northfield, IL (US)

OTHER PUBLICATIONS

www.sweetartfactory.com. Accessed Mar. 19, 2010. Product: Pump-
kin Cookie Cutter, 3 inch. Copyright 2008.*

(**) Term: **14 Years**

(Continued)

(21) Appl. No.: **29/342,855**

Primary Examiner—T. Chase Nelson

Assistant Examiner—Barbara Fox

(22) Filed: **Sep. 2, 2009**

(74) *Attorney, Agent, or Firm*—Fitch, Even, Tabin &
Flannery

(51) **LOC (9) Cl.** **01-01**

(52) **U.S. Cl.** **D1/106**

(58) **Field of Classification Search** D1/100,
D1/106–112, 120, 122, 125–128, 199; D30/160;
D24/102, 103; D25/119–135; 119/706–711;
426/2, 89, 92, 104, 635, 805, 94–95, 138–139,
426/144, 543, 549–550, 383, 496, 499, 808,
426/84, 514, 64, 143, 618–621, 625; 28/8.2;
D21/576; D11/48–50

(57) **CLAIM**

We claim the ornamental design for a pumpkin-shaped food
product, as shown and described.

See application file for complete search history.

DESCRIPTION

FIG. 1 is a perspective view of a pumpkin-shaped food prod-
uct showing our new design;

(56) **References Cited**

U.S. PATENT DOCUMENTS

D154,564 S *	7/1949	Price	D7/676
D194,577 S *	2/1963	Herman	D1/109
3,244,872 A *	4/1966	McCormick	40/540
D252,416 S	7/1979	Wills, Jr.		
D252,417 S	7/1979	Wills, Jr.		
D252,418 S *	7/1979	Wills, Jr.	D1/109
D252,419 S	7/1979	Wills, Jr. et al.		
D252,776 S	9/1979	Wills, Jr.		
D303,865 S	10/1989	Lucas et al.		
D309,366 S	7/1990	Concepcion et al.		
D310,023 S *	8/1990	Dembiczak et al.	D9/625
D321,080 S	10/1991	Meyers, Jr. et al.		
D321,272 S	11/1991	Meyers, Jr. et al.		
D324,757 S	3/1992	Meyers, Jr. et al.		

FIG. 2 is a front elevation view of the pumpkin-shaped food
product of FIG. 1;

FIG. 3 is a back elevation view of the pumpkin-shaped food
product of FIG. 1;

FIG. 4 is a left side elevation view of the pumpkin-shaped
food product of FIG. 1;

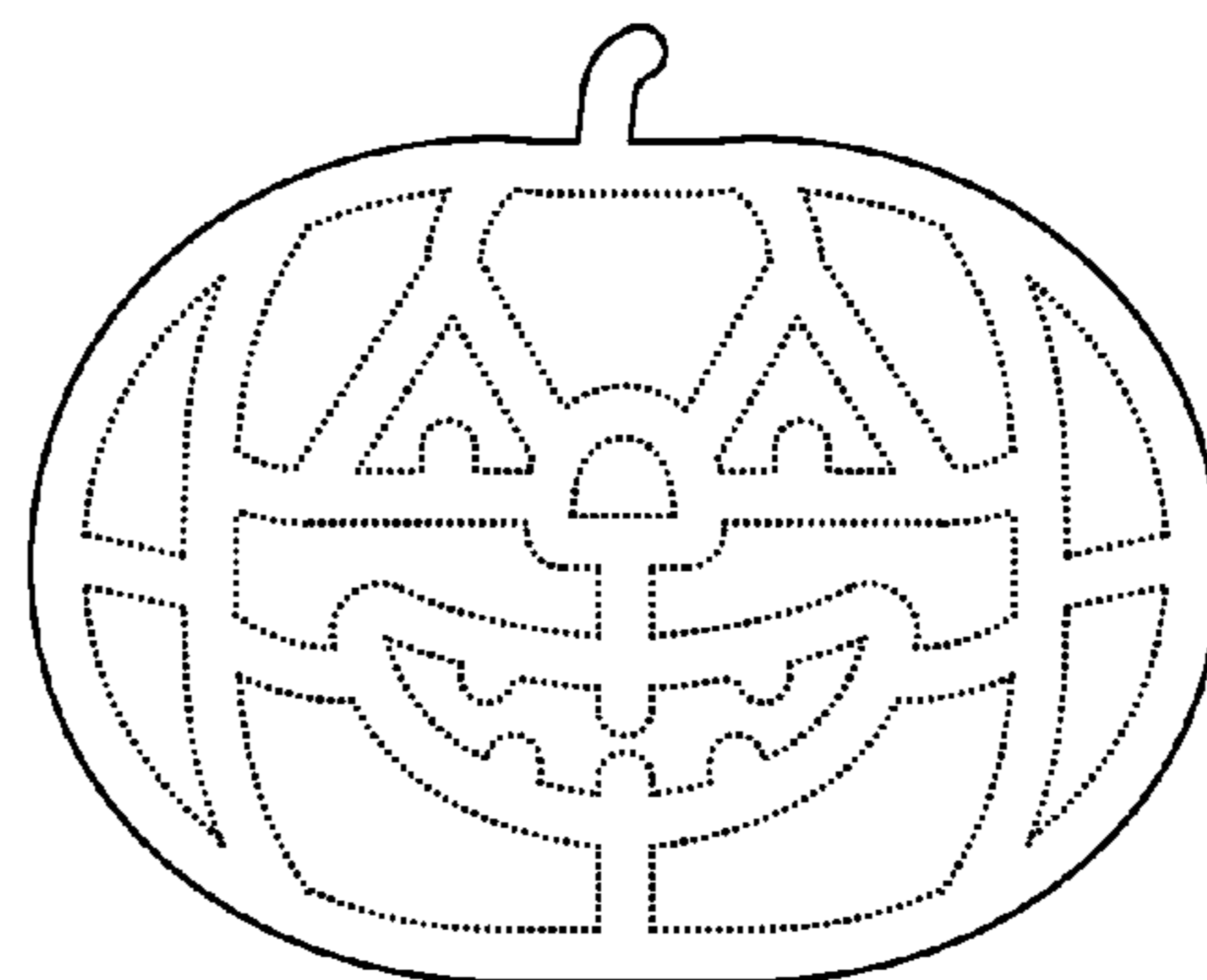
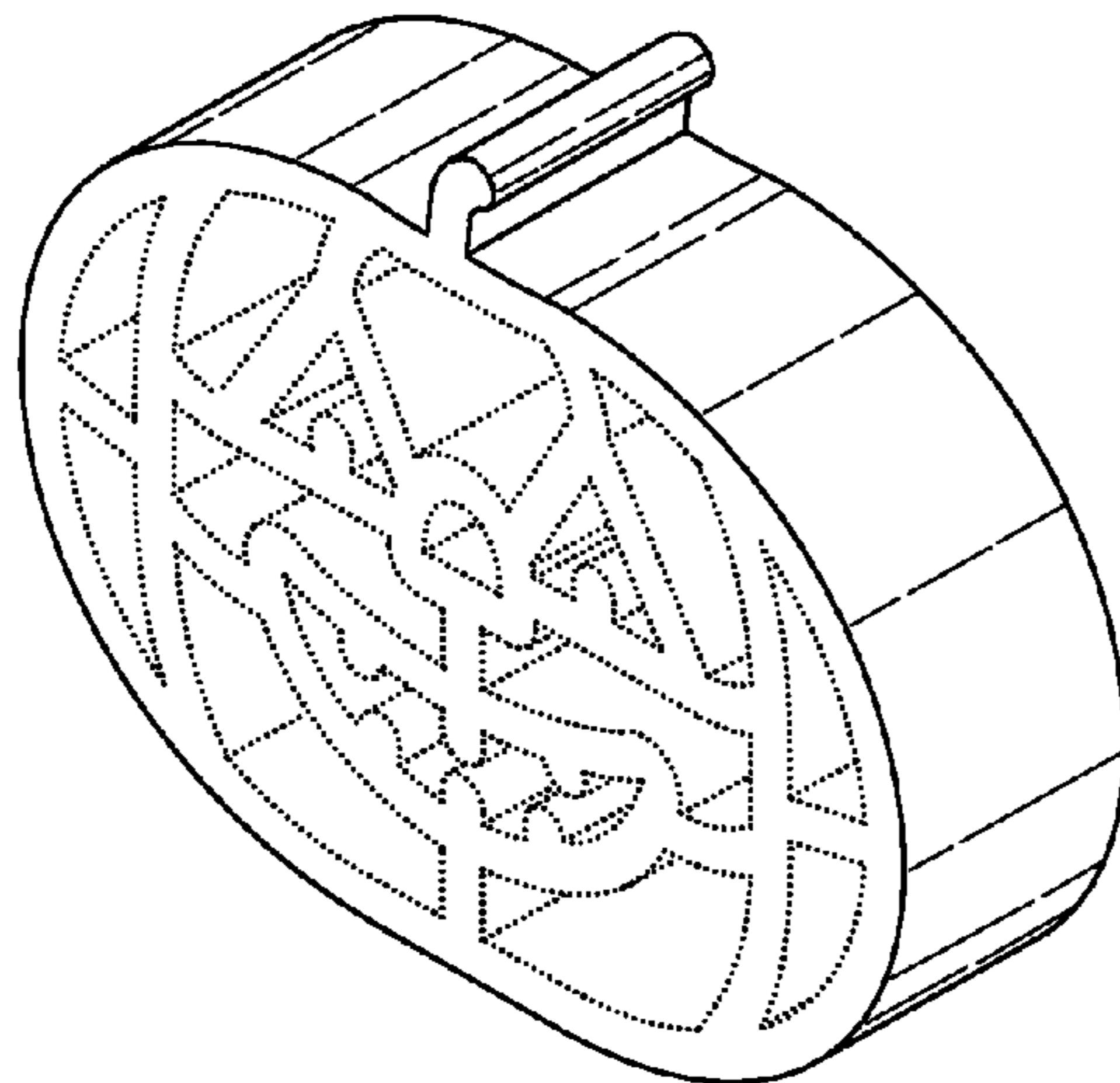
FIG. 5 is a right side elevation view of the pumpkin-shaped
food product of FIG. 1;

FIG. 6 is a top plan view of the pumpkin-shaped food product
of FIG. 1; and,

FIG. 7 is a bottom view of the pumpkin-shaped food product
of FIG. 1.

The broken lines shown in the drawings are for the purpose of
illustrating unclaimed portions of the pumpkin-shaped food
product and form no part of the claimed design.

1 Claim, 1 Drawing Sheet



US D621,126 S

Page 2

U.S. PATENT DOCUMENTS

D325,458 S 4/1992 Meyers, Jr. et al.
D347,166 S * 5/1994 Ross et al. D9/603
D374,542 S 10/1996 Chin-Hsieh et al.
D416,371 S * 11/1999 Mehdikhan D1/104
6,022,574 A 2/2000 Lanner et al.
D472,693 S 4/2003 Zimmer et al.
6,769,793 B2 * 8/2004 Hornsby et al. 362/352
D508,301 S * 8/2005 Feilen D1/107
D512,807 S 12/2005 Haro
D526,461 S 8/2006 Haro
D526,835 S * 8/2006 Morgan D7/354
D557,553 S * 12/2007 Sarnoff D7/354
D559,727 S * 1/2008 Garrison D11/121
D583,633 S * 12/2008 Vendl D7/675

D591,478 S 5/2009 Slusarczyk et al.

OTHER PUBLICATIONS

halloweencookies.info/halloweencookiecutters.html. Accessed Mar. 19, 2010. Product: 8 Cupcake & Cookie Stencils. Copyright 2009.*
www.sweetartfactory.com. Accessed Mar. 19, 2010. Product: Pumpkin Deco Kit, 5 inch. Copyright 2008.*
www.kitchenworksinc.com. Accessed Mar. 19, 2010. Product: 5" Cookie Cutter. Copyright 2007.*
www.bakingwarehouse.com. Accessed Mar. 19, 2010. Product: Pumpkin Cookie Cutter. Copyright 2008.*
www.crobike.de. Accessed Mar. 19, 2010. Product: AmPro Pumpkin-Shaped cookie cutter. No date.*
www.coppergifts.com. Accessed Mar. 19, 2010. Product: Pumpkin Cookie Cutter. Copyright 2010.*

* cited by examiner

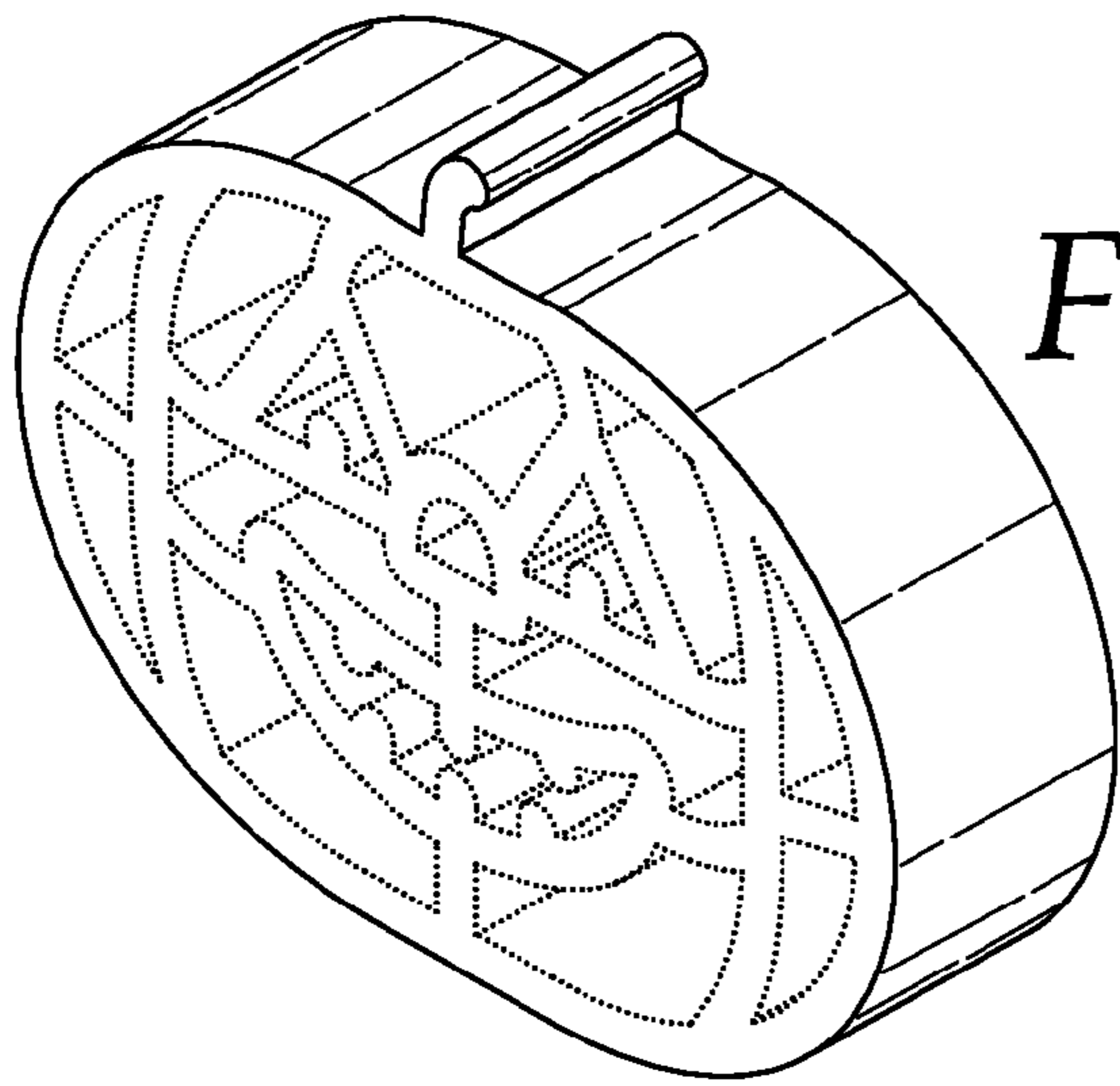


Fig. 1

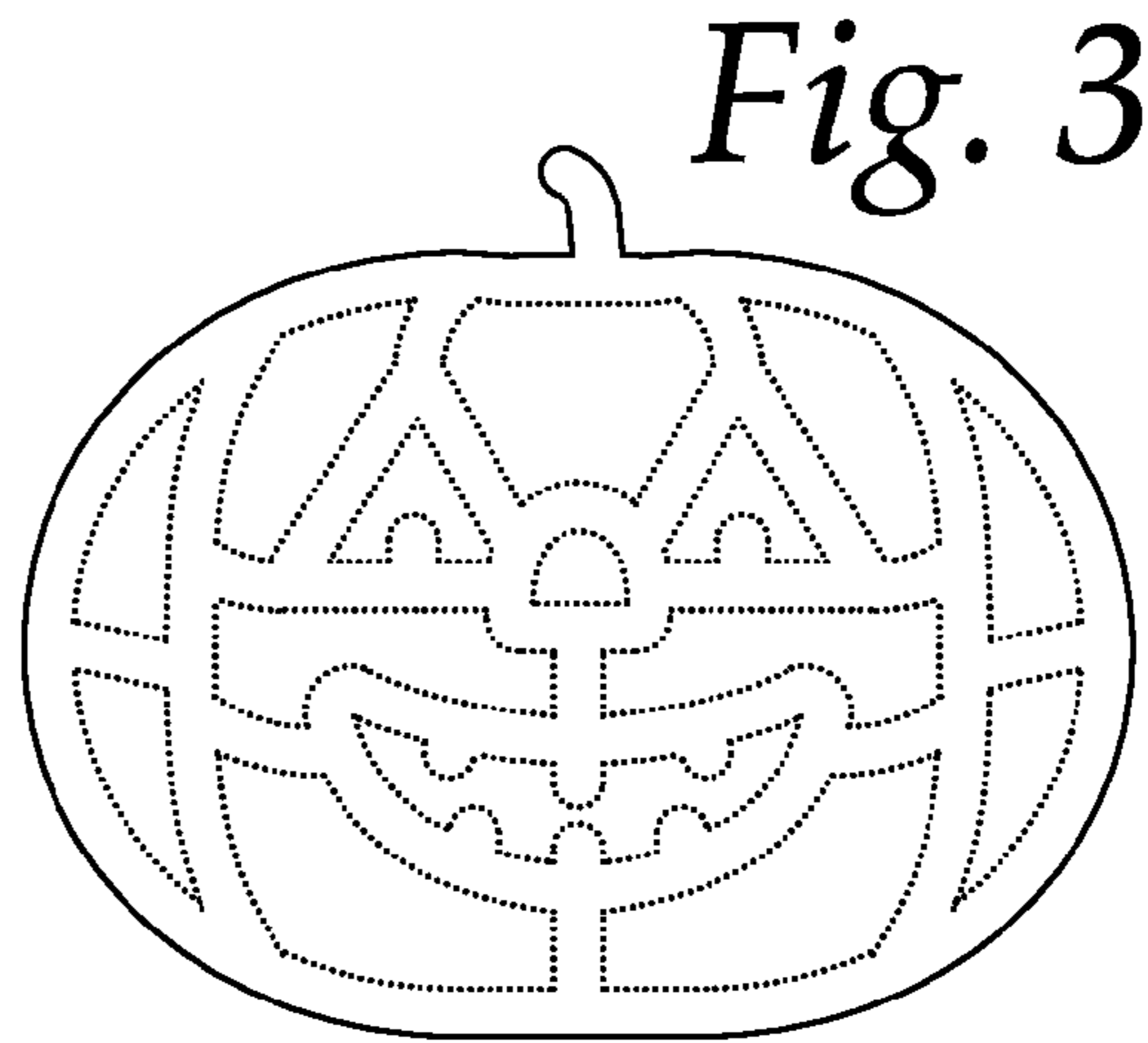


Fig. 3



Fig. 6

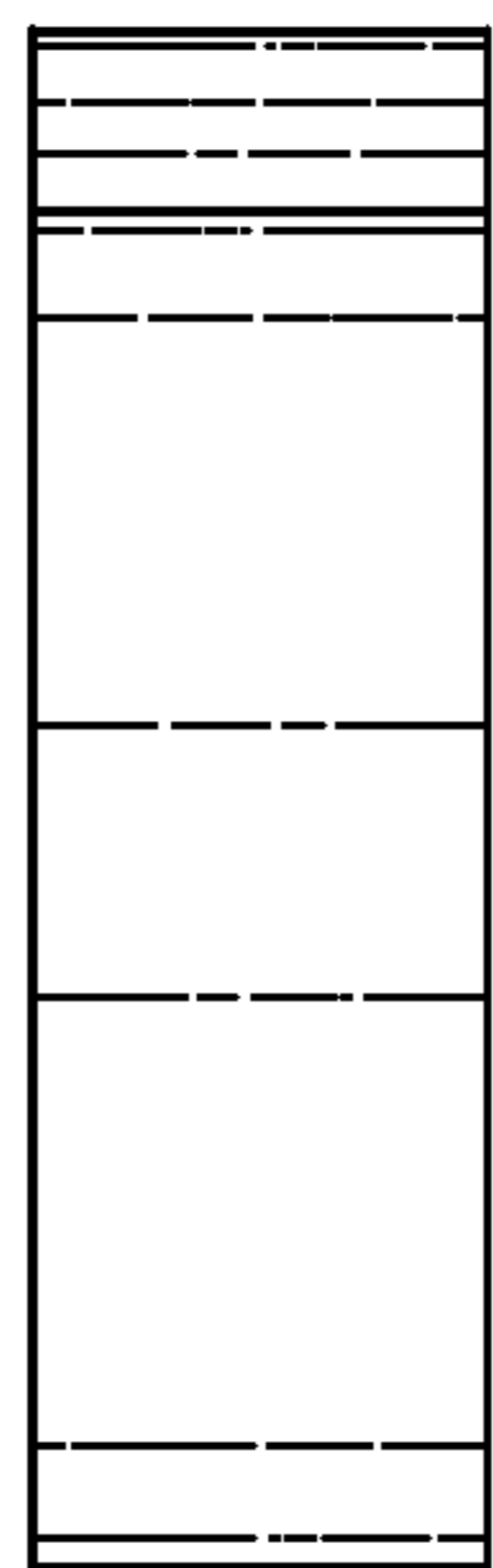


Fig. 4

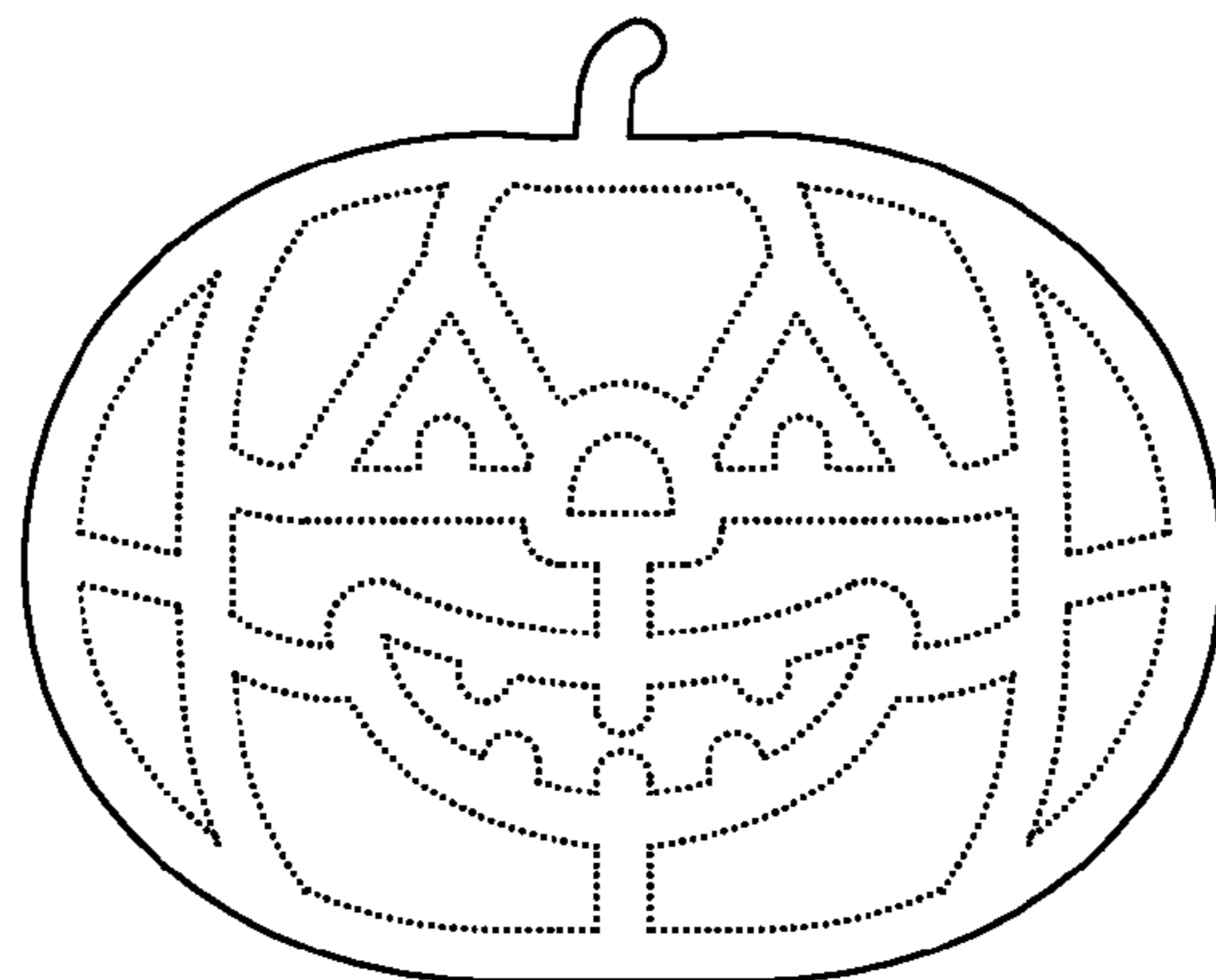


Fig. 2

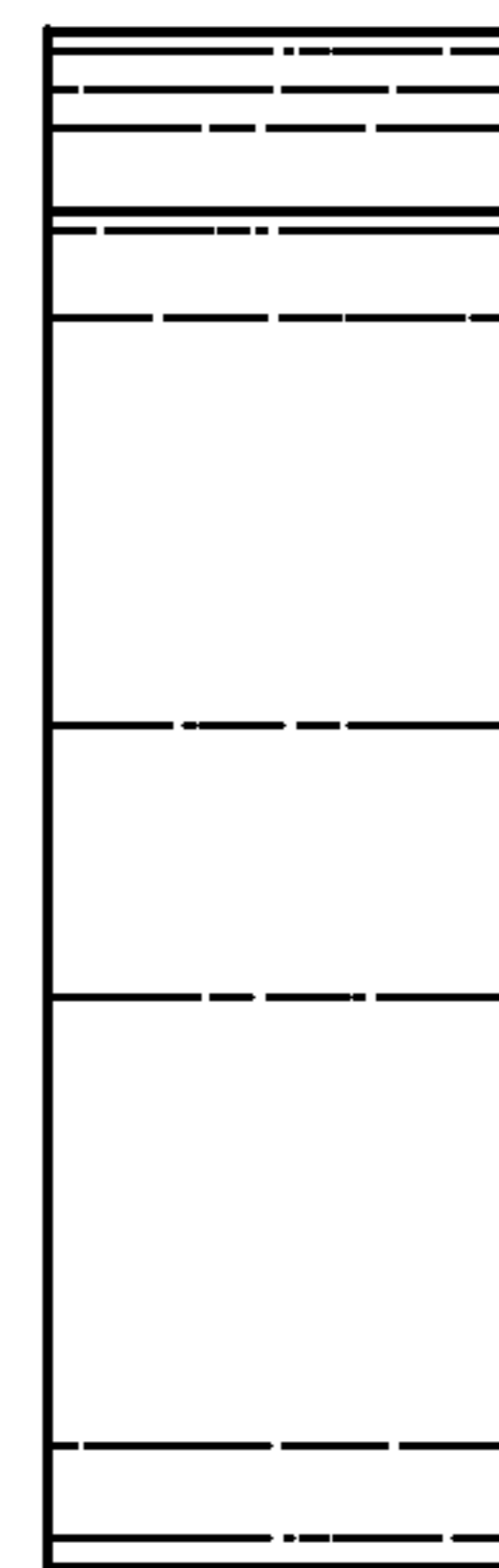


Fig. 5

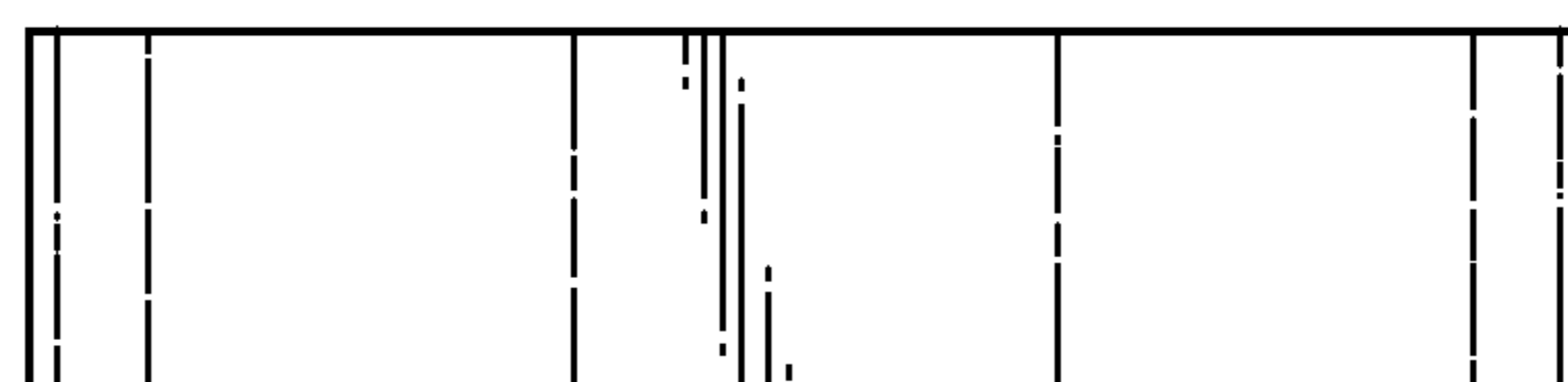


Fig. 7