



US00D621124S

(12) **United States Design Patent**
Biegel

(10) **Patent No.:** **US D621,124 S**

(45) **Date of Patent:** **** Aug. 3, 2010**

(54) **CREMATORY URN**

(76) Inventor: **Achim Biegel**, Humweilerstrasse 73 b,
Oberthal (DE) 66649

(**) Term: **14 Years**

(21) Appl. No.: **29/340,899**

(22) Filed: **Jul. 28, 2009**

(30) **Foreign Application Priority Data**

Apr. 29, 2009 (EM) 001130793-0004

(51) **LOC (9) Cl.** **99-00**

(52) **U.S. Cl.** **D99/5**

(58) **Field of Classification Search** D99/1,
D99/5, 28; D7/540, 612, 619.1, 624.3; D9/428,
D9/503; 27/1-10; 220/200, 212.5, 62.18,
220/288, 602, 911, 259.3, 228, 536; 206/508
See application file for complete search history.

(56) **References Cited**

U.S. PATENT DOCUMENTS

- 1,610,159 A * 12/1926 Rose 220/284
- 1,635,122 A * 7/1927 Henriques 220/259.3
- 1,963,795 A * 6/1934 Lang 220/624
- 2,011,013 A * 8/1935 Rieke 220/288
- D120,797 S * 5/1940 Boe D9/503
- D210,867 S * 4/1968 Kuroda D9/503

- D214,159 S * 5/1969 Hart et al. D9/503
- D243,069 S * 1/1977 Igelman D9/428
- D245,862 S * 9/1977 Bulloch et al. D23/369
- D266,486 S * 10/1982 Lutz D9/503
- 5,211,305 A * 5/1993 Horton 229/117.27
- D345,850 S * 4/1994 Nakau D99/28
- 6,105,817 A * 8/2000 Ponton 220/784

FOREIGN PATENT DOCUMENTS

- EM 000981089-0002 S 8/2008
- EM 000981089-0004 S 8/2008
- EM 000981089-0008 S 8/2008
- EM 000981089-0011 S 8/2008

* cited by examiner

Primary Examiner—Paula Greene

(57) **CLAIM**

The ornamental design for a crematory urn, as shown and described.

DESCRIPTION

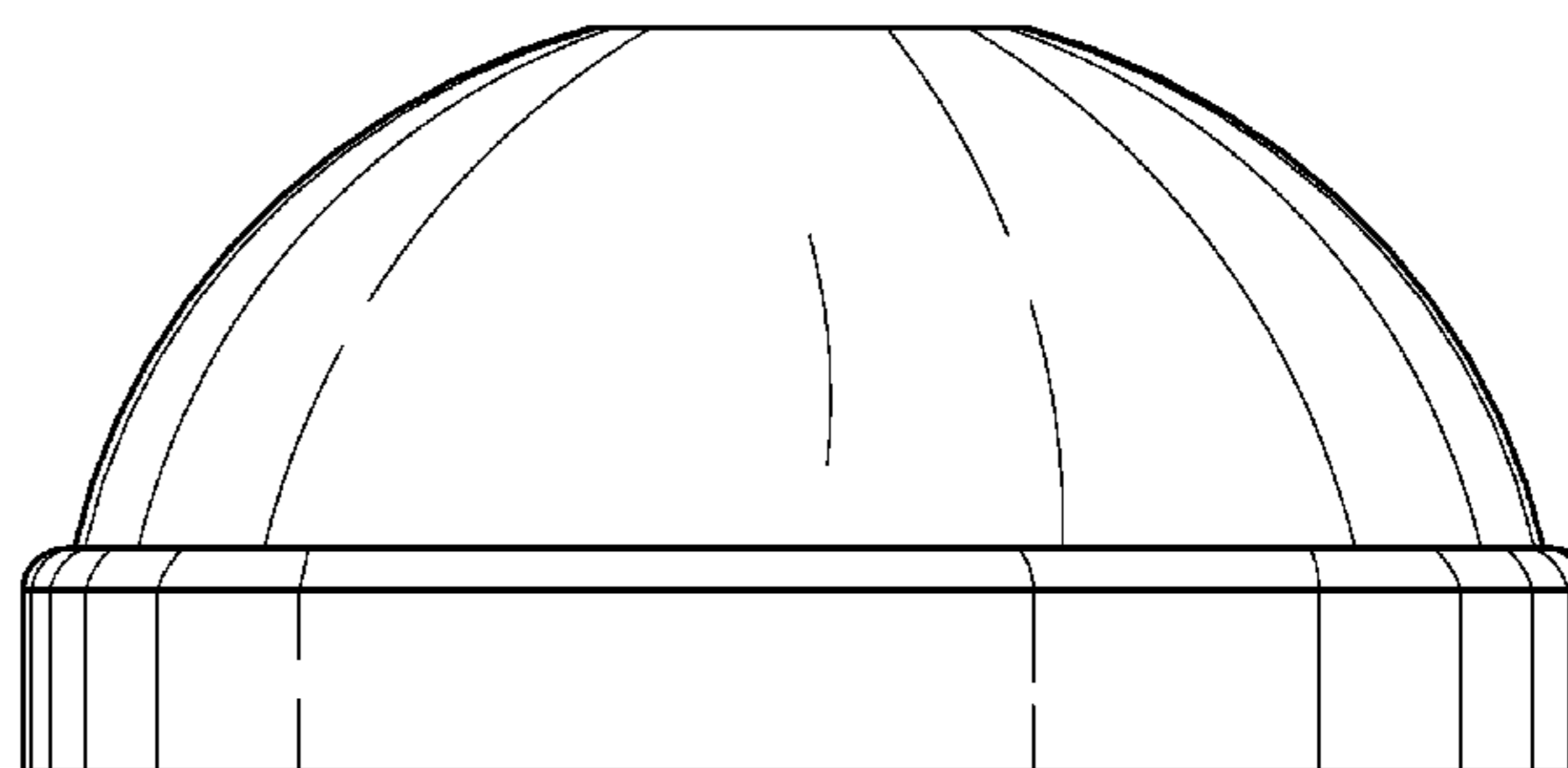
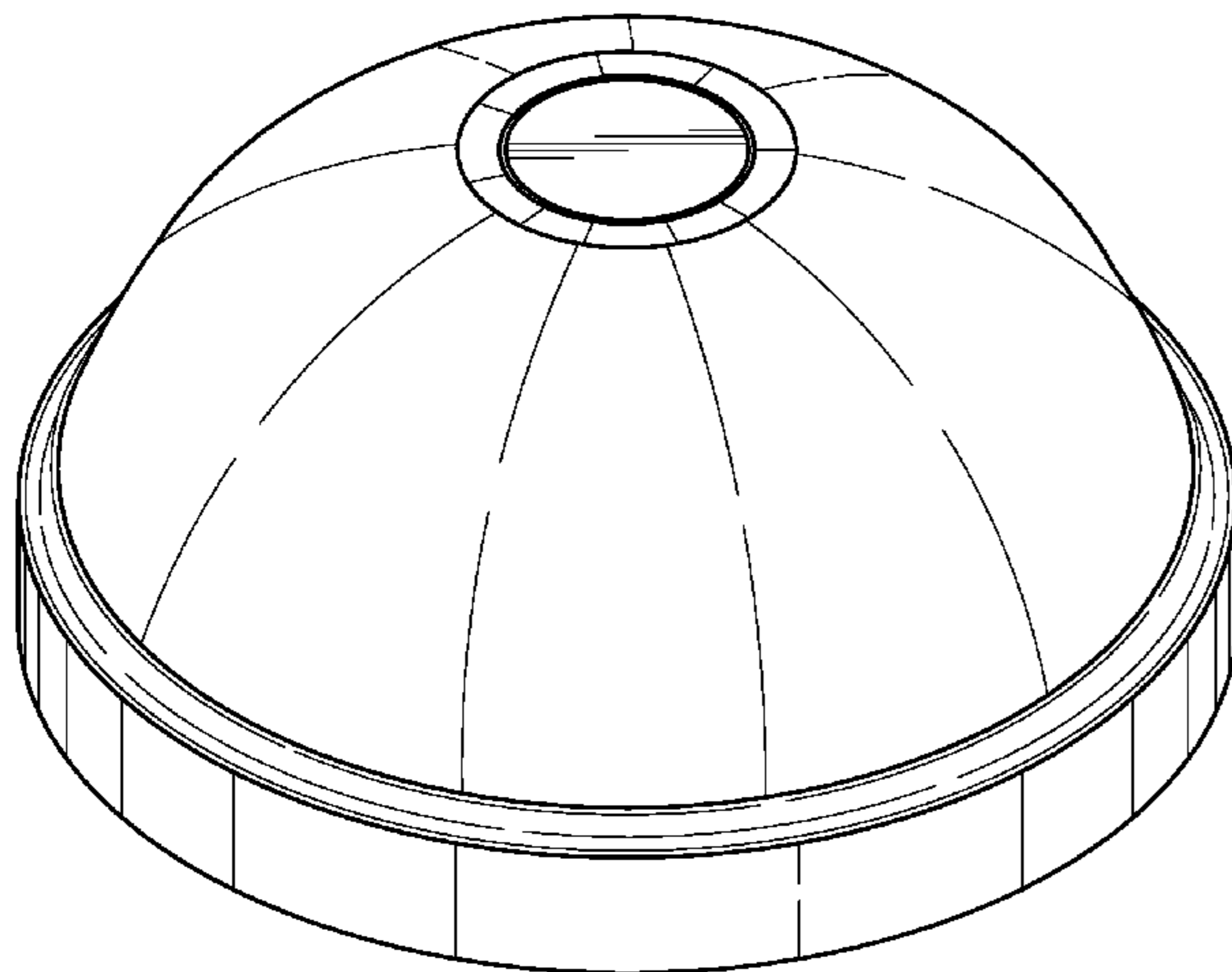
FIG. 1 is a perspective view of a crematory urn showing my new design;

FIG. 2 is a front elevational view, the left side, right side, and rear elevational views are a mirror image;

FIG. 3 is a top plan view thereof; and,

FIG. 4 is a bottom plan view thereof.

1 Claim, 4 Drawing Sheets



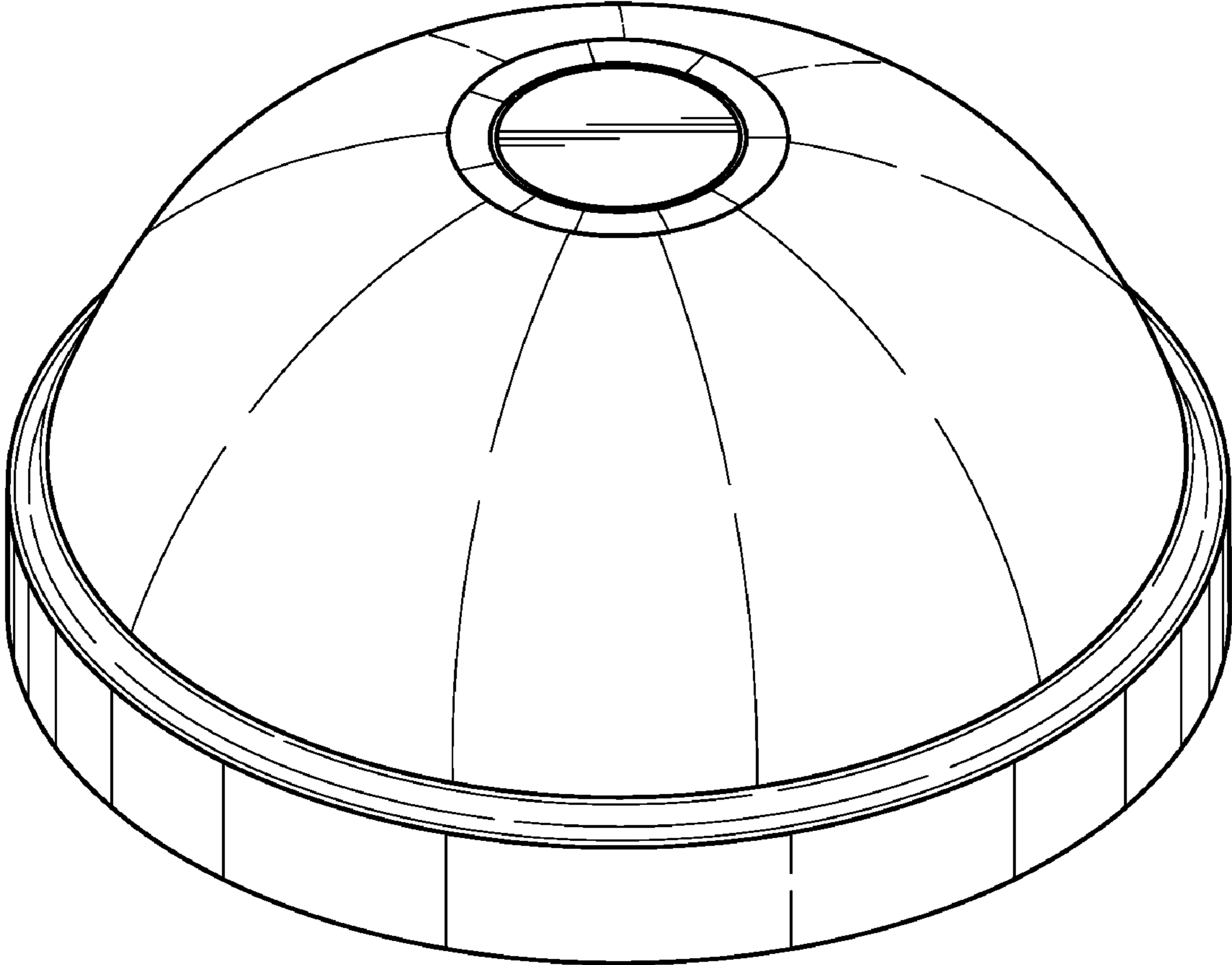


Fig. 1

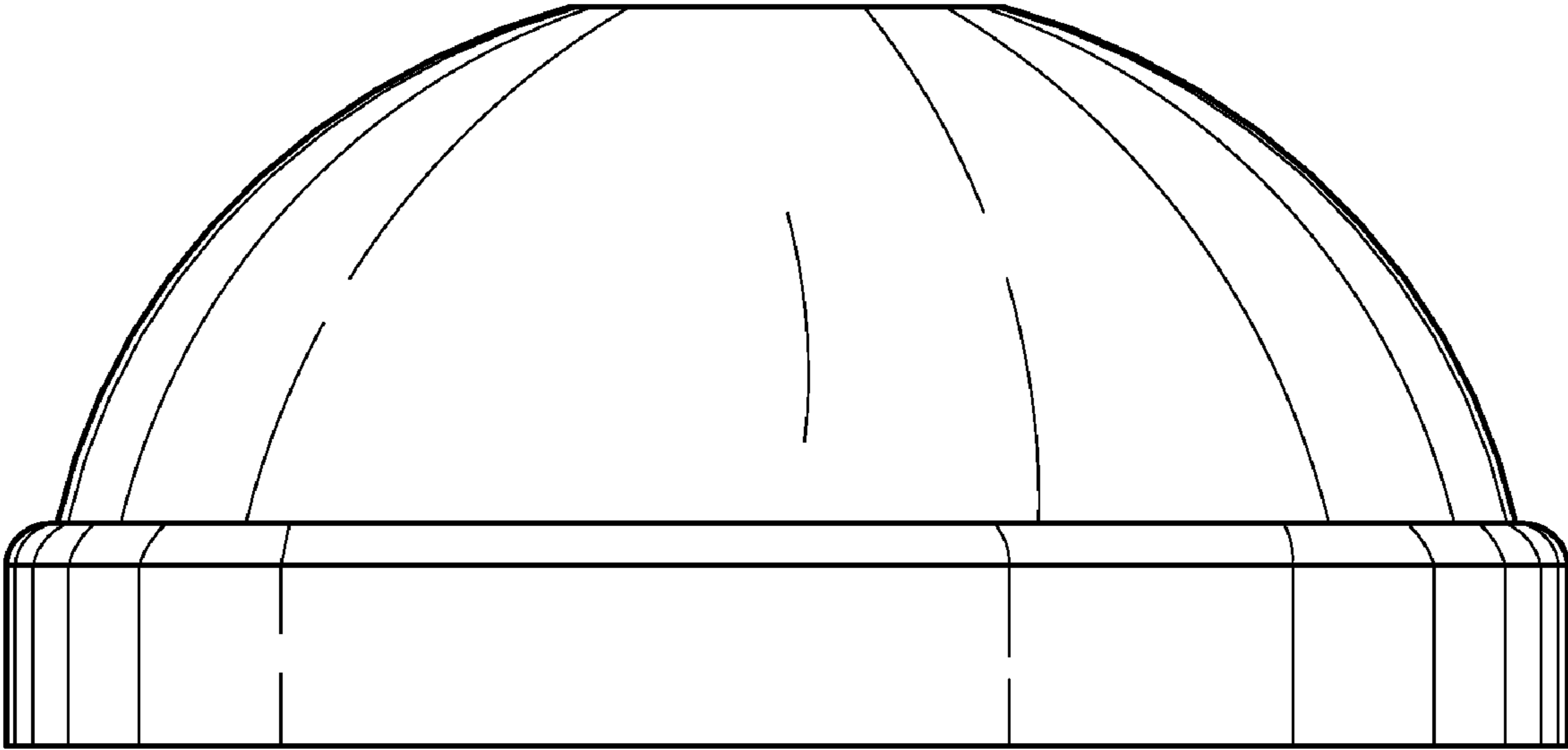


Fig. 2

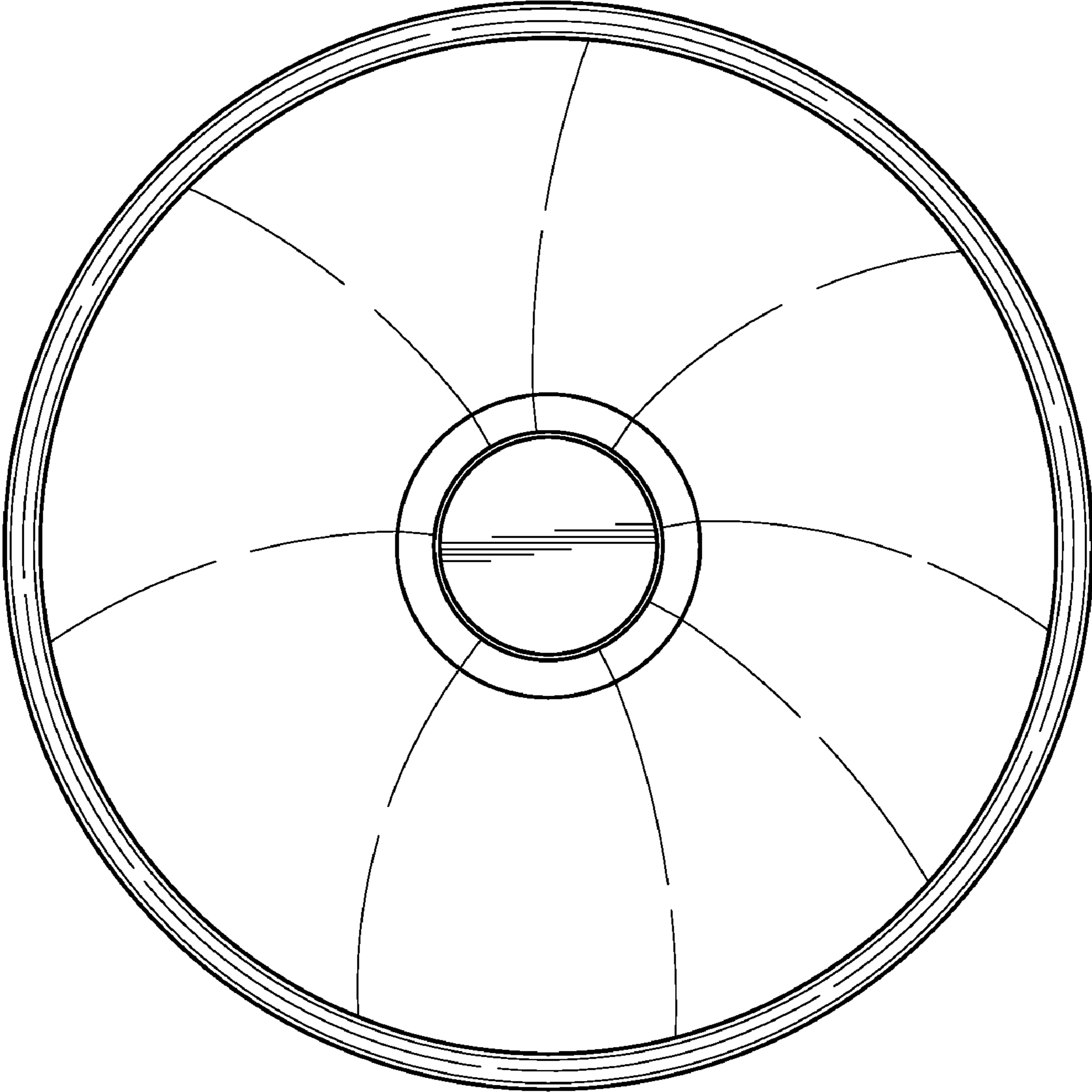


Fig. 3

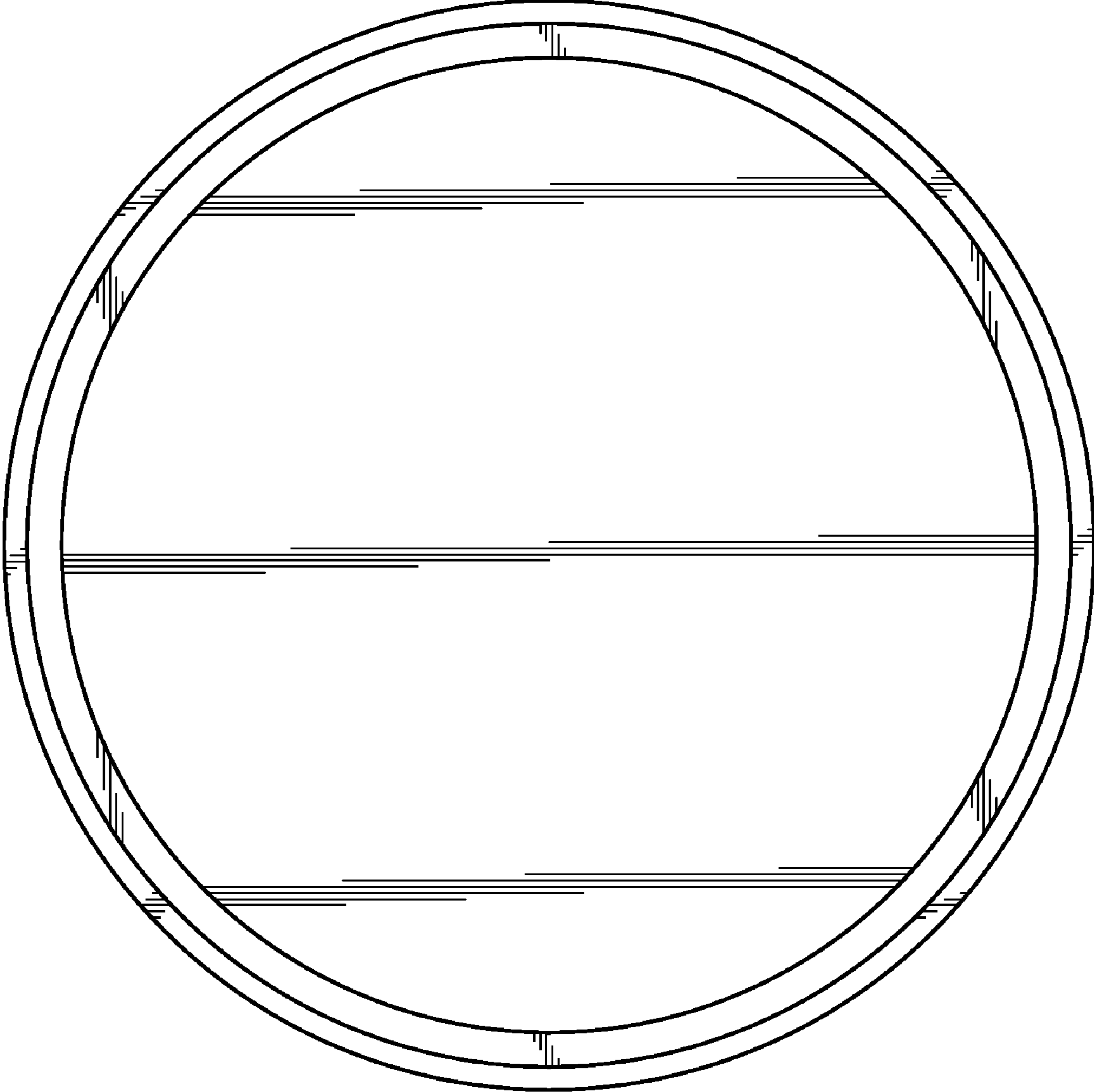


Fig. 4