



US00D621123S

(12) **United States Design Patent**
Larry, III

(10) **Patent No.:** **US D621,123 S**

(45) **Date of Patent:** **** Aug. 3, 2010**

(54) **INLAID CASKET**

(76) **Inventor:** **Julius J. Larry, III**, 1511 Stevenage La.,
Channelview, TX (US) 77530

(**) **Term:** **14 Years**

(21) **Appl. No.:** **29/329,943**

(22) **Filed:** **Dec. 23, 2008**

(51) **LOC (9) Cl.** **99-00**

(52) **U.S. Cl.** **D99/1**

(58) **Field of Classification Search** D99/1-24;
27/1-8, 14, 27, 30; D11/143-163
See application file for complete search history.

(56) **References Cited**

U.S. PATENT DOCUMENTS

1,821,760	A *	9/1931	Leitch et al.	27/35
D92,867	S *	7/1934	Scholl	D99/7
D93,012	S *	8/1934	Giggins	D99/3
1,976,538	A *	10/1934	Benbough	27/27
D153,167	S *	3/1949	Paden	D99/7
D200,619	S *	3/1965	Stepek	D27/188
3,570,082	A *	3/1971	Gruber	27/6
3,944,267	A *	3/1976	Sundquist	292/158
D416,659	S *	11/1999	Jeffers	D99/7
D417,057	S *	11/1999	Jeffers	D99/7
6,151,762	A *	11/2000	Cox	27/19
6,223,404	B1 *	5/2001	Fant et al.	27/19
6,324,736	B1 *	12/2001	Atrio	27/2
D512,194	S *	11/2005	Draeger	D99/3
D551,425	S *	9/2007	Layle	D99/7
D593,725	S *	6/2009	Schultz et al.	D99/15

* cited by examiner

Primary Examiner—T. Chase Nelson
Assistant Examiner—Ania K Dworzecka

(74) *Attorney, Agent, or Firm*—Daniel N. Lundeen; Lundeen & Lundeen PLLC

(57) **CLAIM**

The ornamental design for an inlaid casket, as shown and described.

DESCRIPTION

FIG. 1 is a perspective view of an inlaid casket, showing my new design;

FIG. 2 is a perspective view of the casket of FIG. 1 showing the casket in use with the head lid open, showing my new design;

FIG. 3 is an end (head) elevational view thereof, showing my new design;

FIG. 4 is an end (foot) elevational view thereof, showing my new design;

FIG. 5 is a front elevational view thereof, showing my new design;

FIG. 6 is a top plan perspective view thereof, showing my new design;

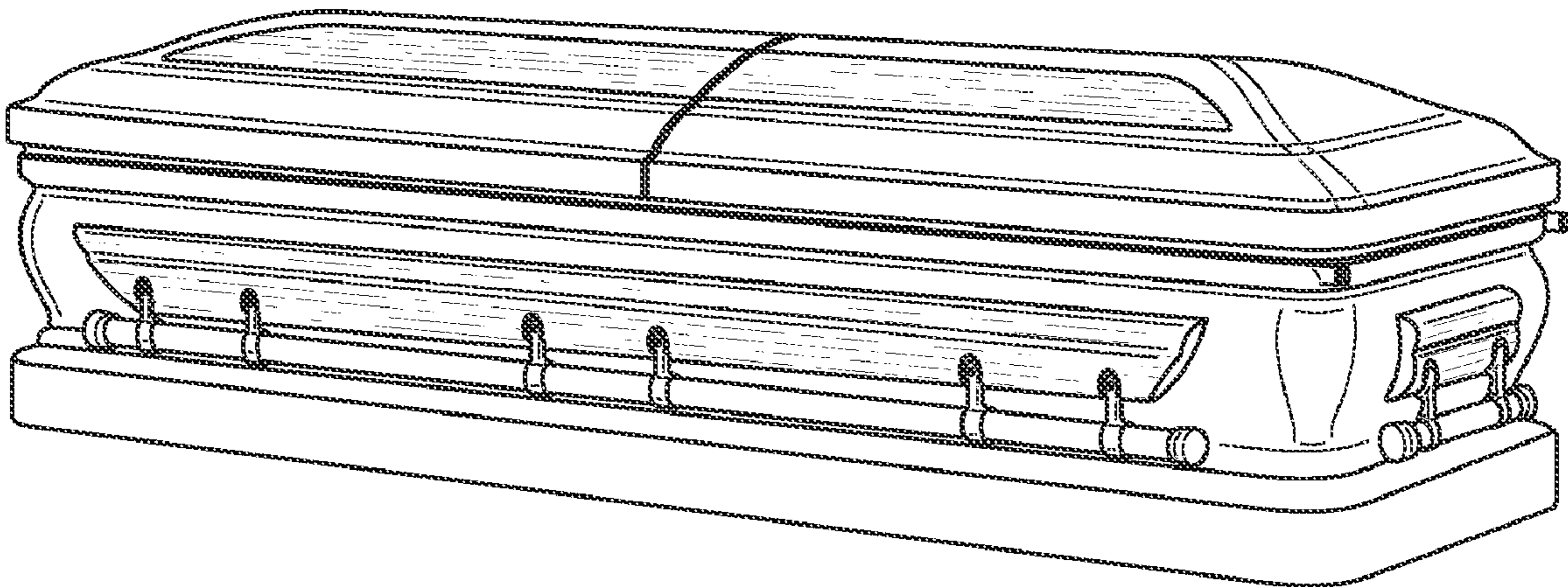
FIG. 7 is a bottom plan perspective view thereof, showing my new design;

FIG. 8 is an inner end perspective elevational view of the open head lid thereof, showing my new design;

FIG. 9 is an inner end perspective elevational view of the closed foot lid thereof, showing my new design; and,

FIG. 10 is an enlarged inner end elevational view of the closed foot lid thereof, shown isolated from the remainder of the inlaid casket.

1 Claim, 4 Drawing Sheets



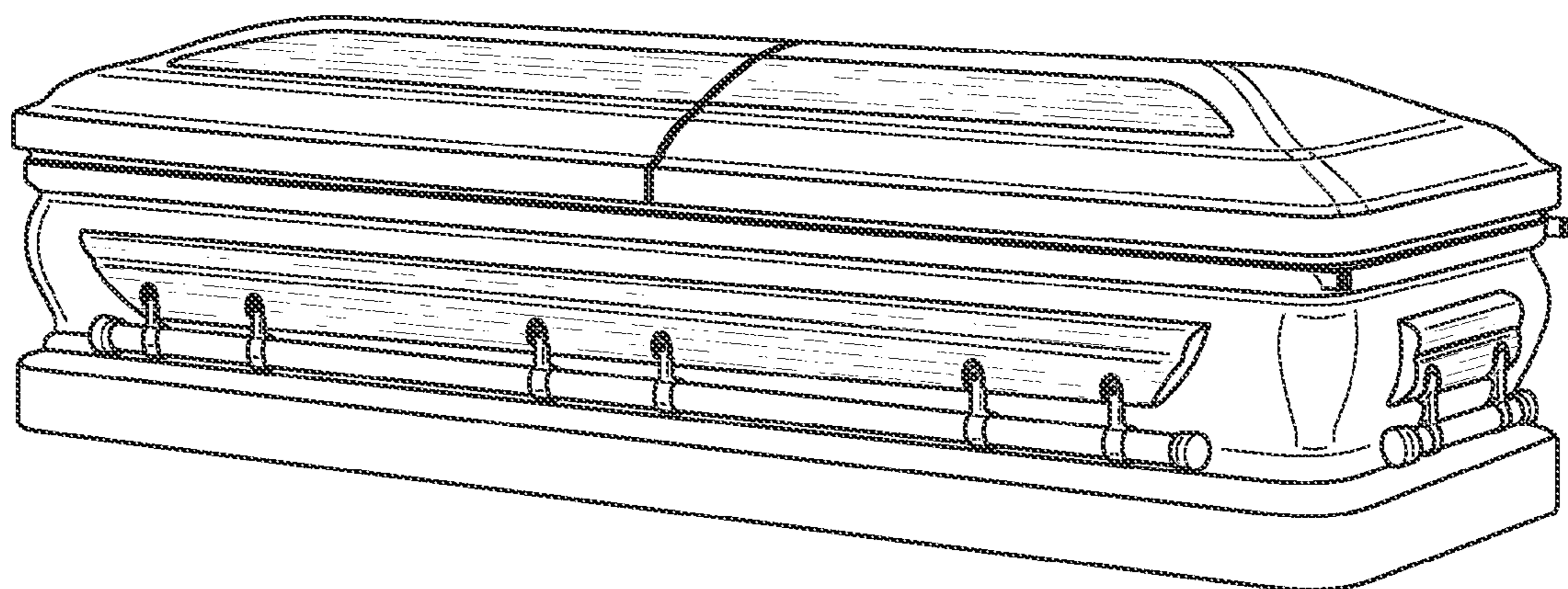


FIG. 1

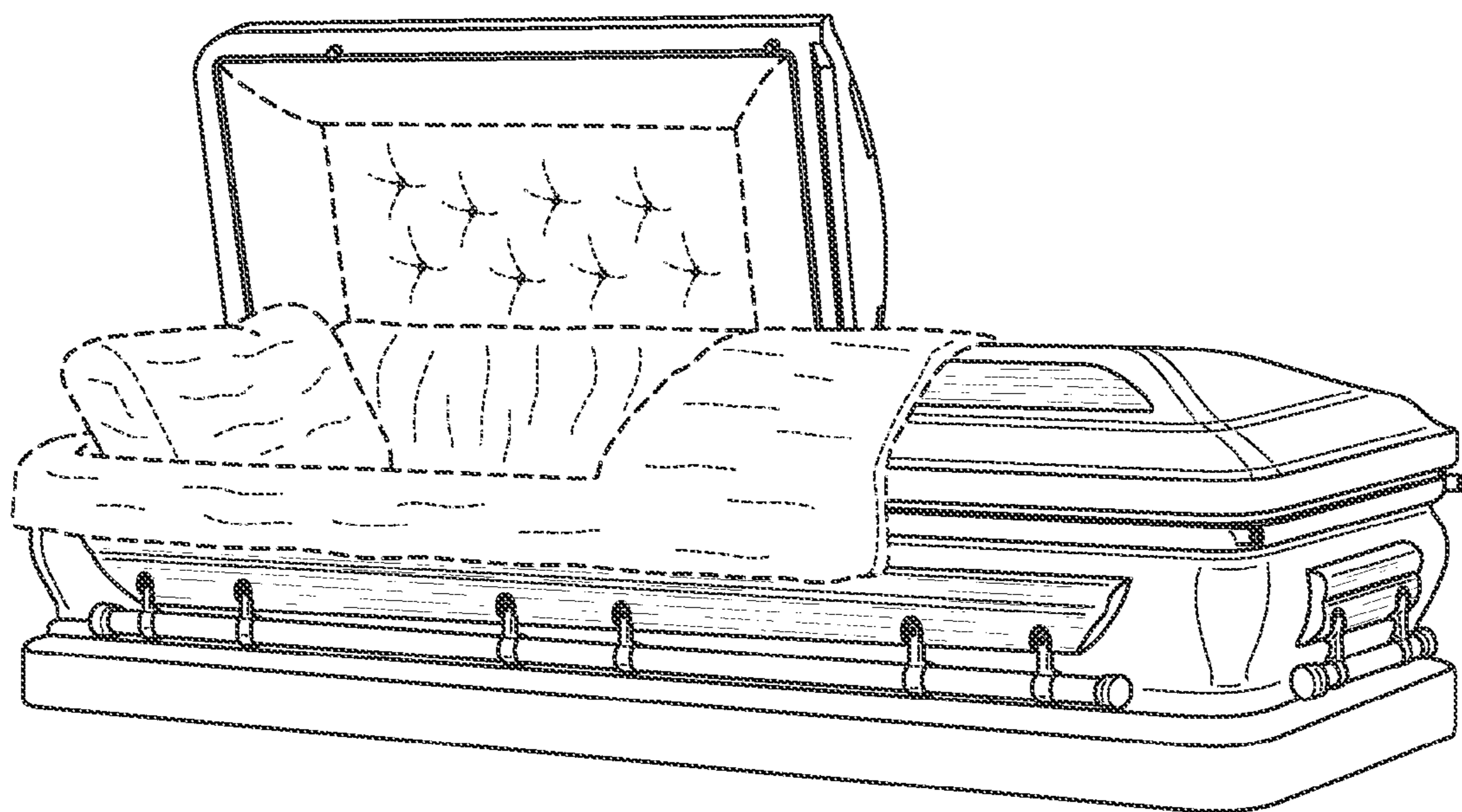


FIG. 2

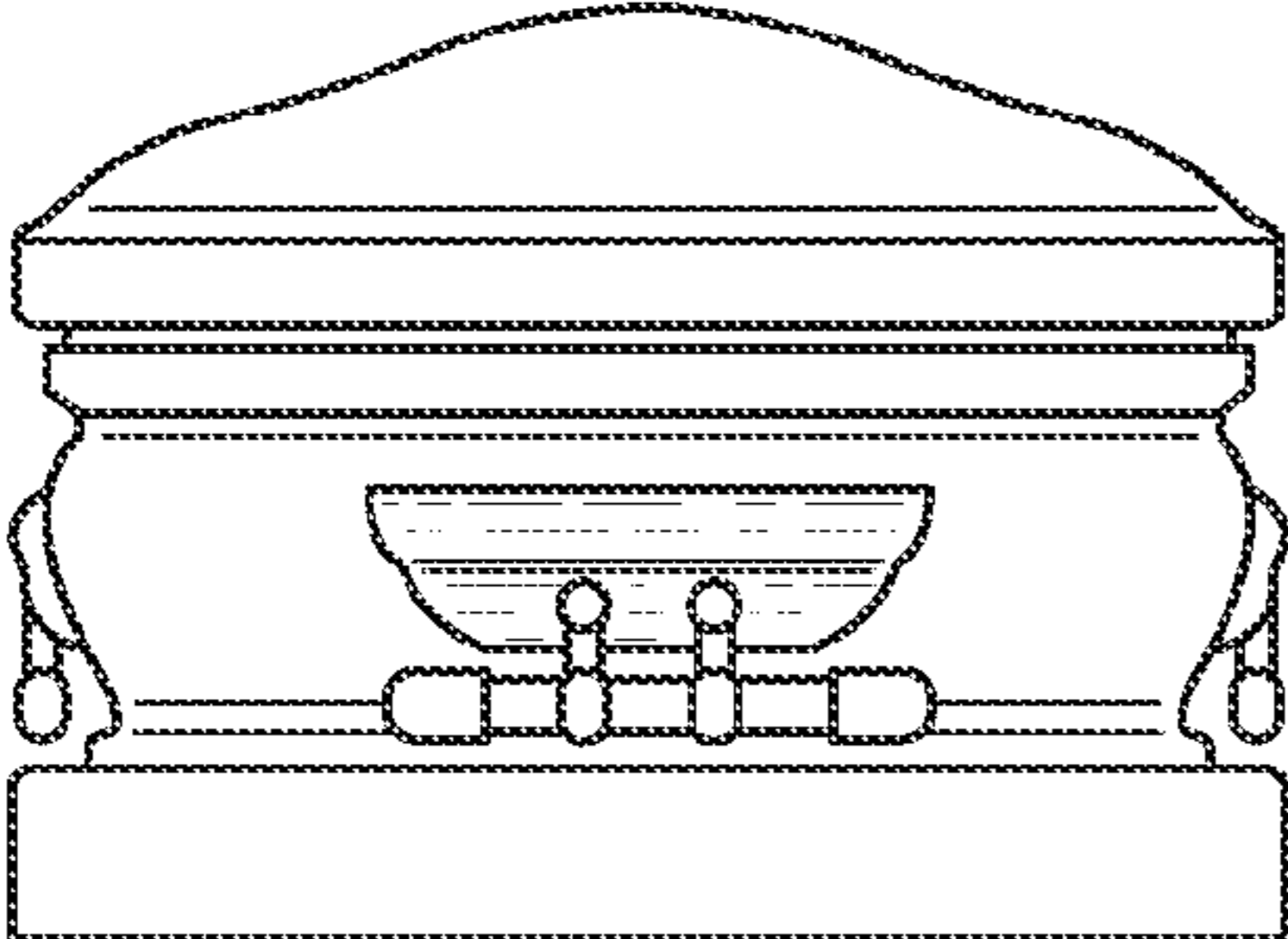


FIG. 3

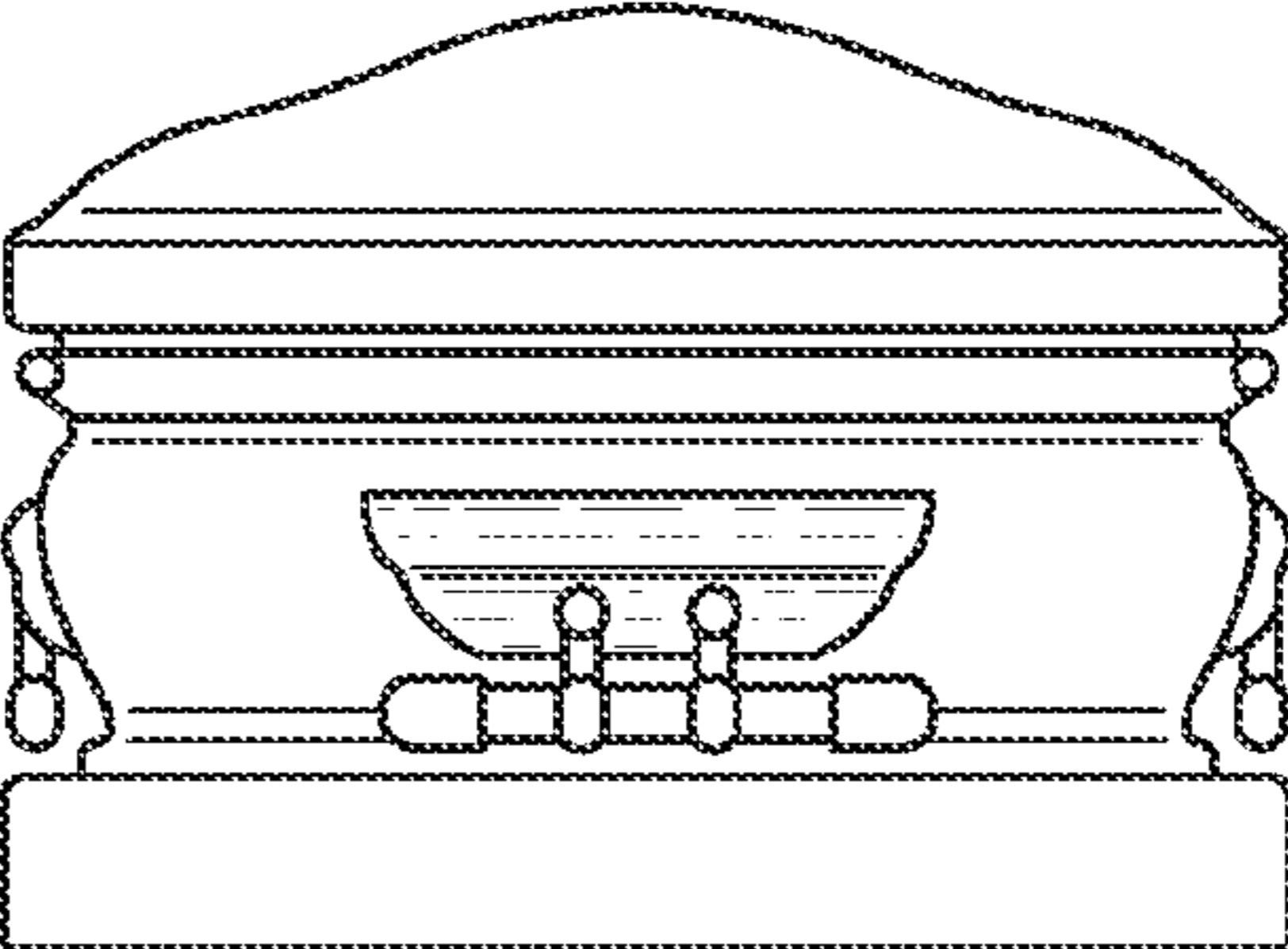


FIG. 4

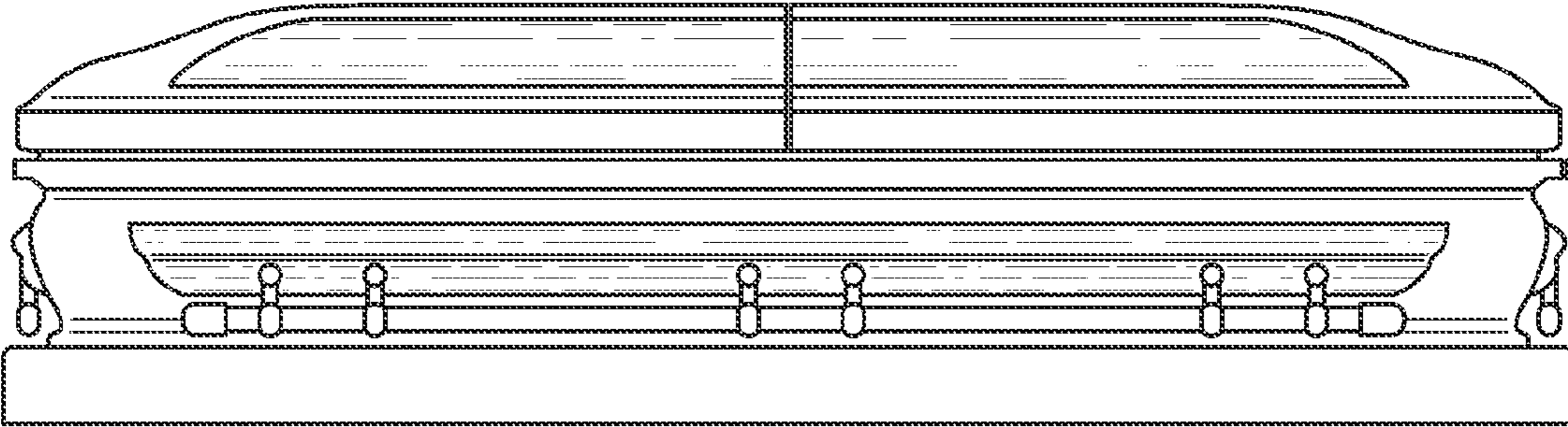


FIG. 5

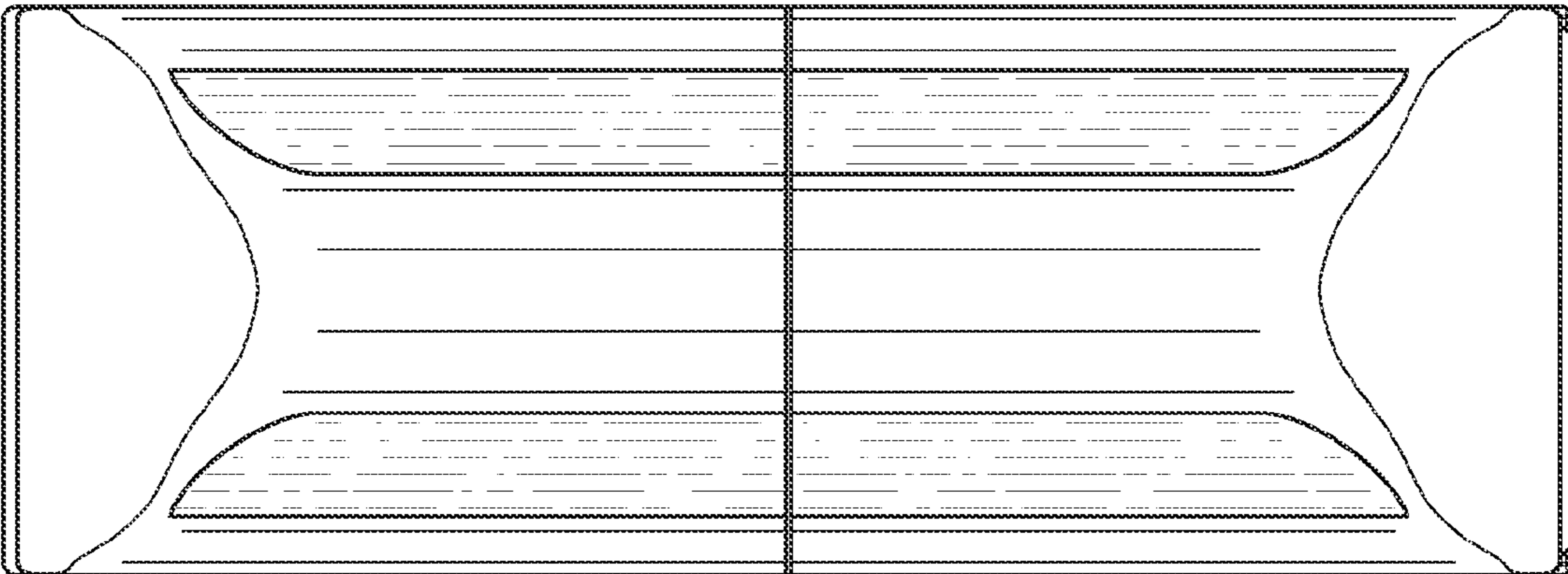


FIG. 6

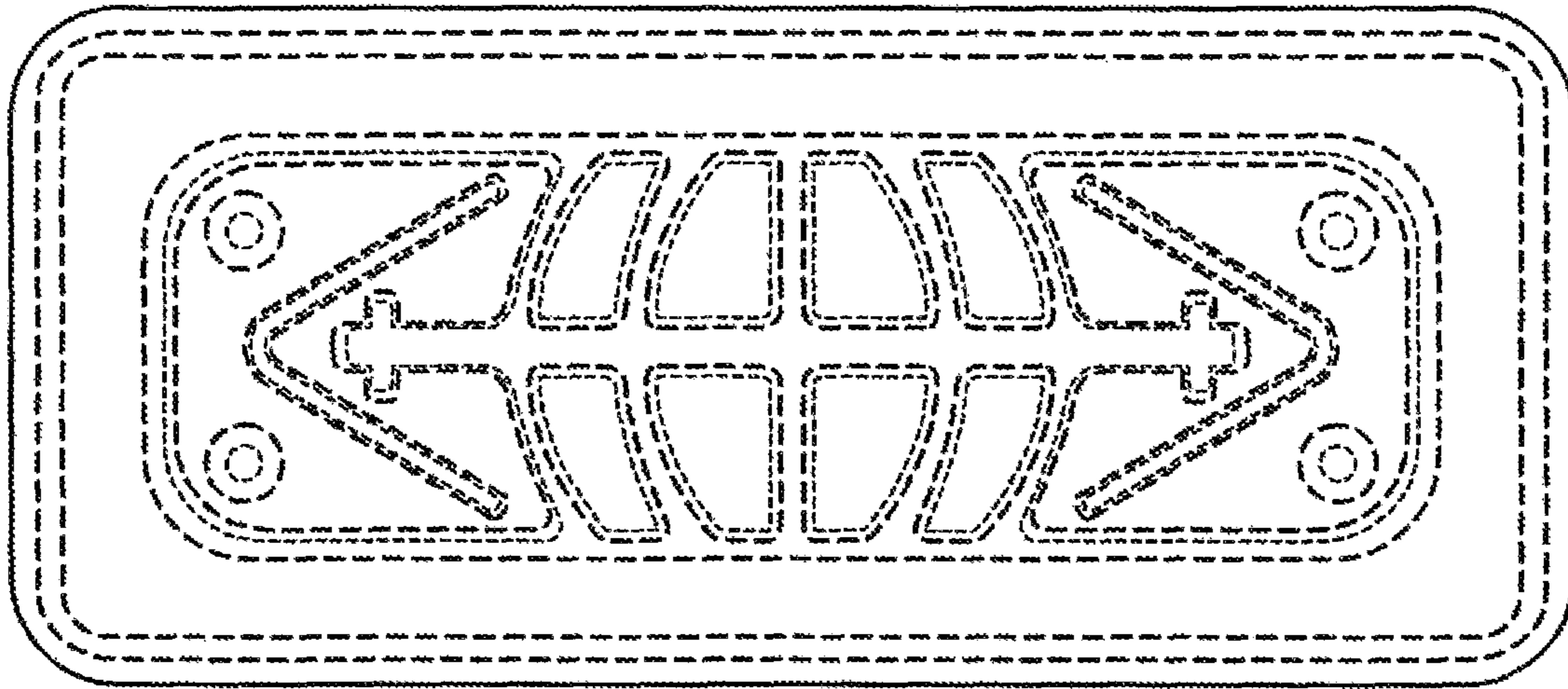


FIG. 7

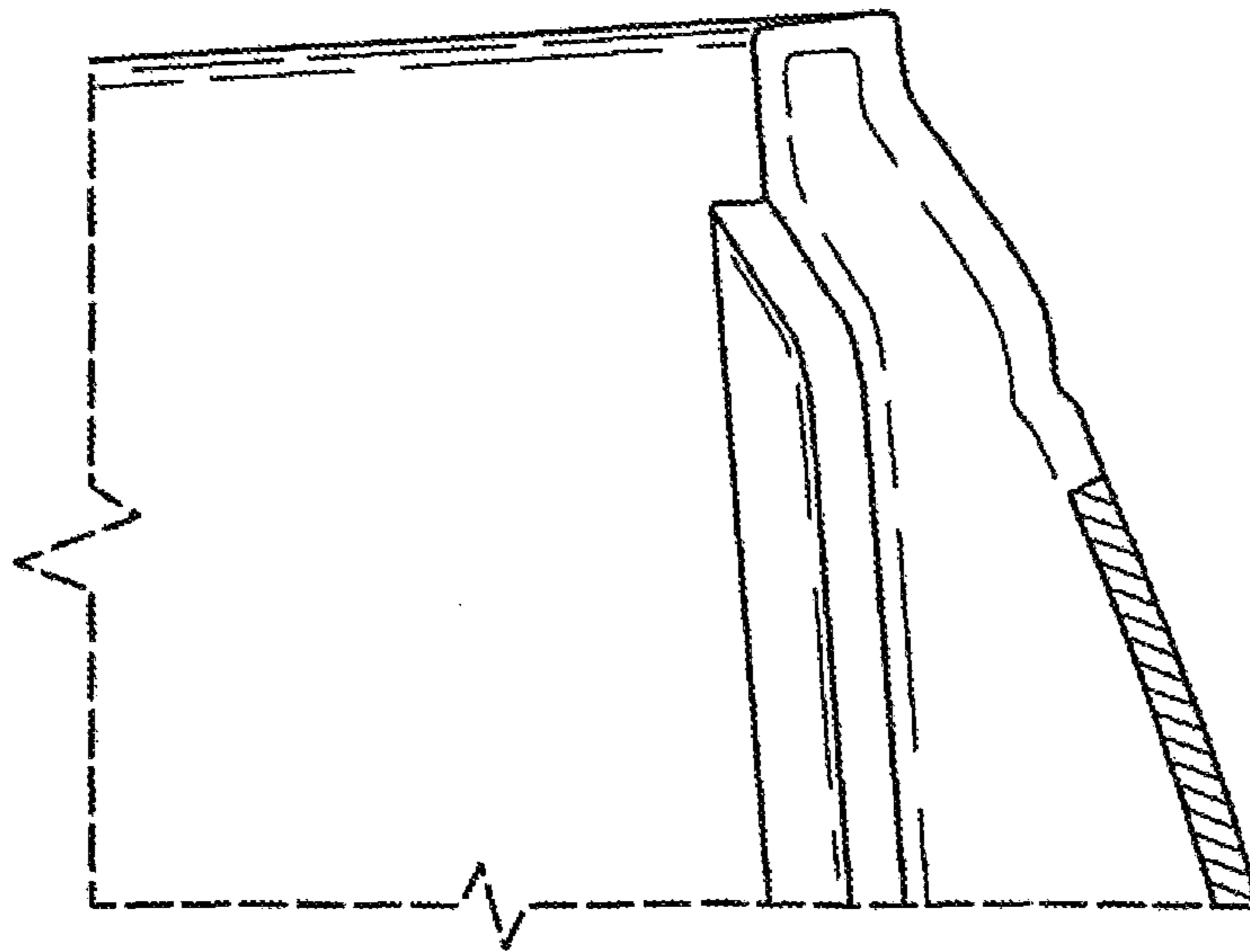


FIG. 8

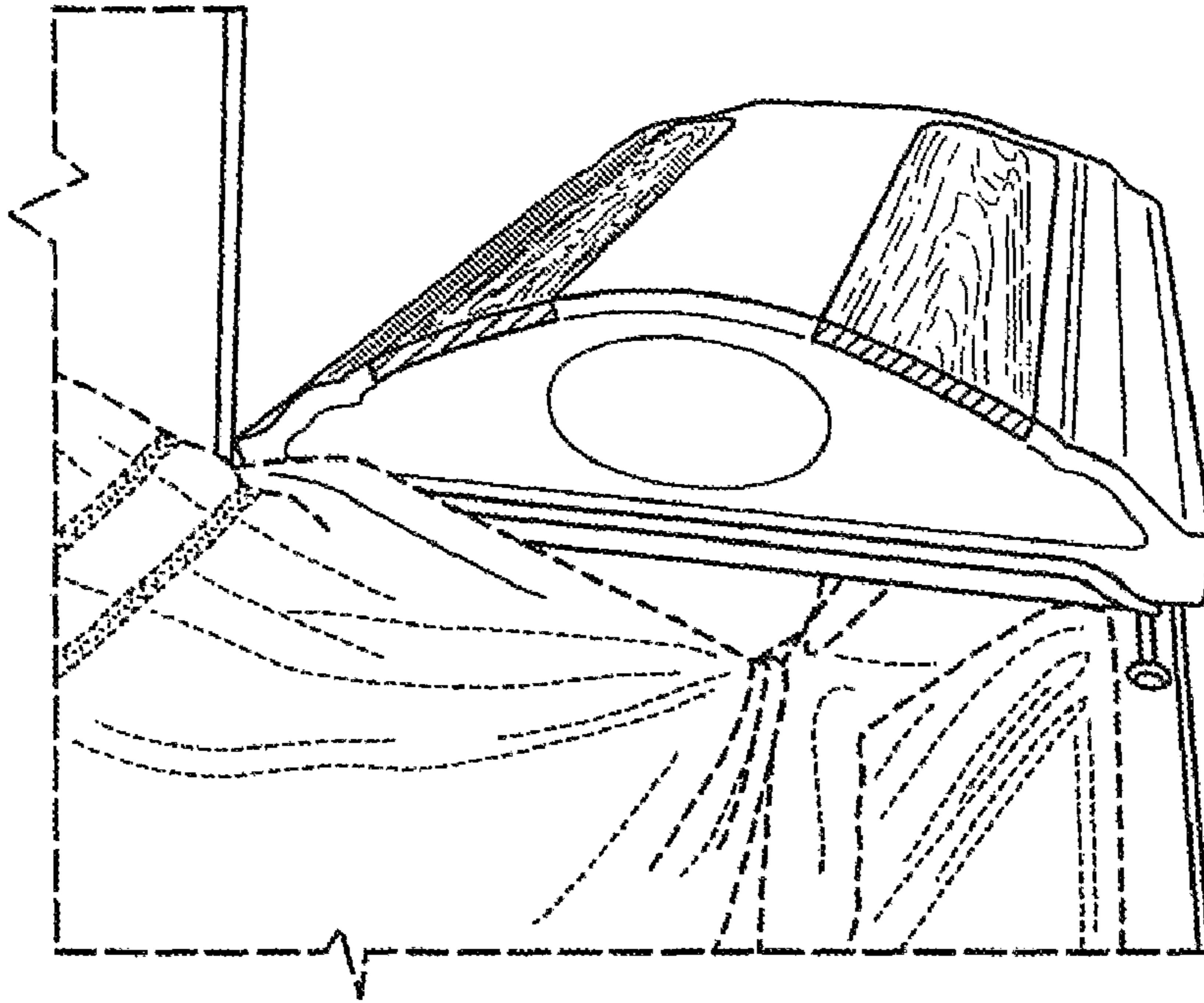


FIG. 9

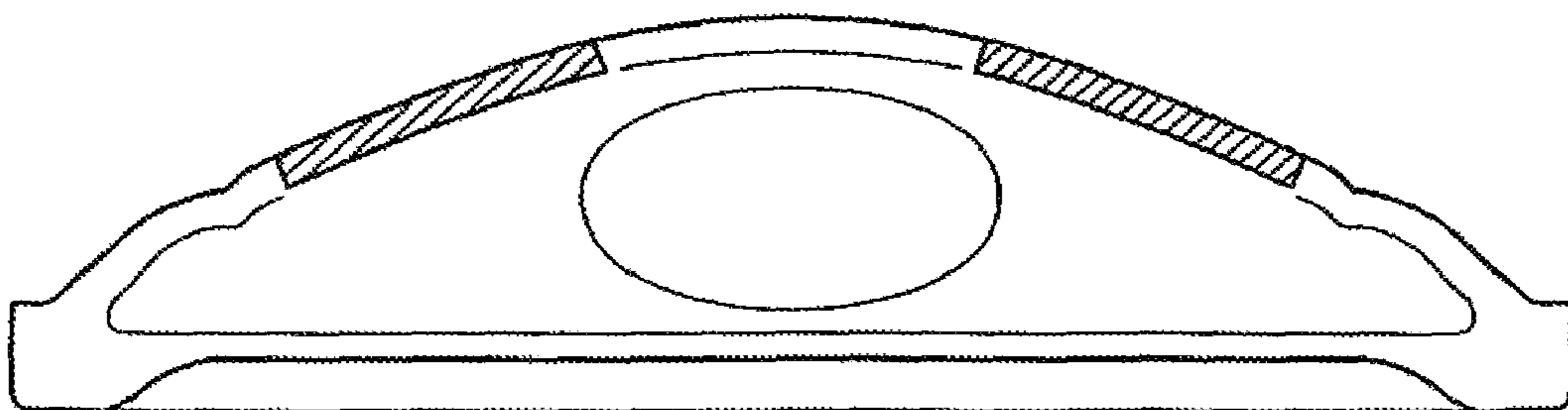


FIG. 10