



US00D621119S

(12) **United States Design Patent**
Spadotto

(10) **Patent No.:** **US D621,119 S**

(45) **Date of Patent:** **** Aug. 3, 2010**

(54) **HOSE WINDING CART**

(75) Inventor: **Oliviano Spadotto**, Pordenone (IT)

(73) Assignee: **Claber S.p.A.**, Fiume Veneto (PN) (IT)

(**) Term: **14 Years**

(21) Appl. No.: **29/347,122**

(22) Filed: **Sep. 25, 2009**

(30) **Foreign Application Priority Data**

Mar. 26, 2009 (EM) 001112734

(51) **LOC (9) Cl.** **12-02**

(52) **U.S. Cl.** **D34/14**

(58) **Field of Classification Search** D34/12-27;
280/33.991, 33.992, 33.994, 47.18, 47.26,
280/47.34; D8/359

See application file for complete search history.

(56) **References Cited**

U.S. PATENT DOCUMENTS

D238,749 S * 2/1976 Back D8/359
5,988,552 A * 11/1999 Tisbo et al. 242/403.1

D417,538 S * 12/1999 Tisbo et al. D34/24
D544,883 S * 6/2007 Nimberger D15/5
D547,021 S * 7/2007 Stein D34/17
D604,020 S * 11/2009 Blaszcak et al. D34/14
D604,021 S * 11/2009 Blaszcak et al. D34/14

* cited by examiner

Primary Examiner—Cynthia E Ramirez

(74) *Attorney, Agent, or Firm*—Jacobson Holman PLLC

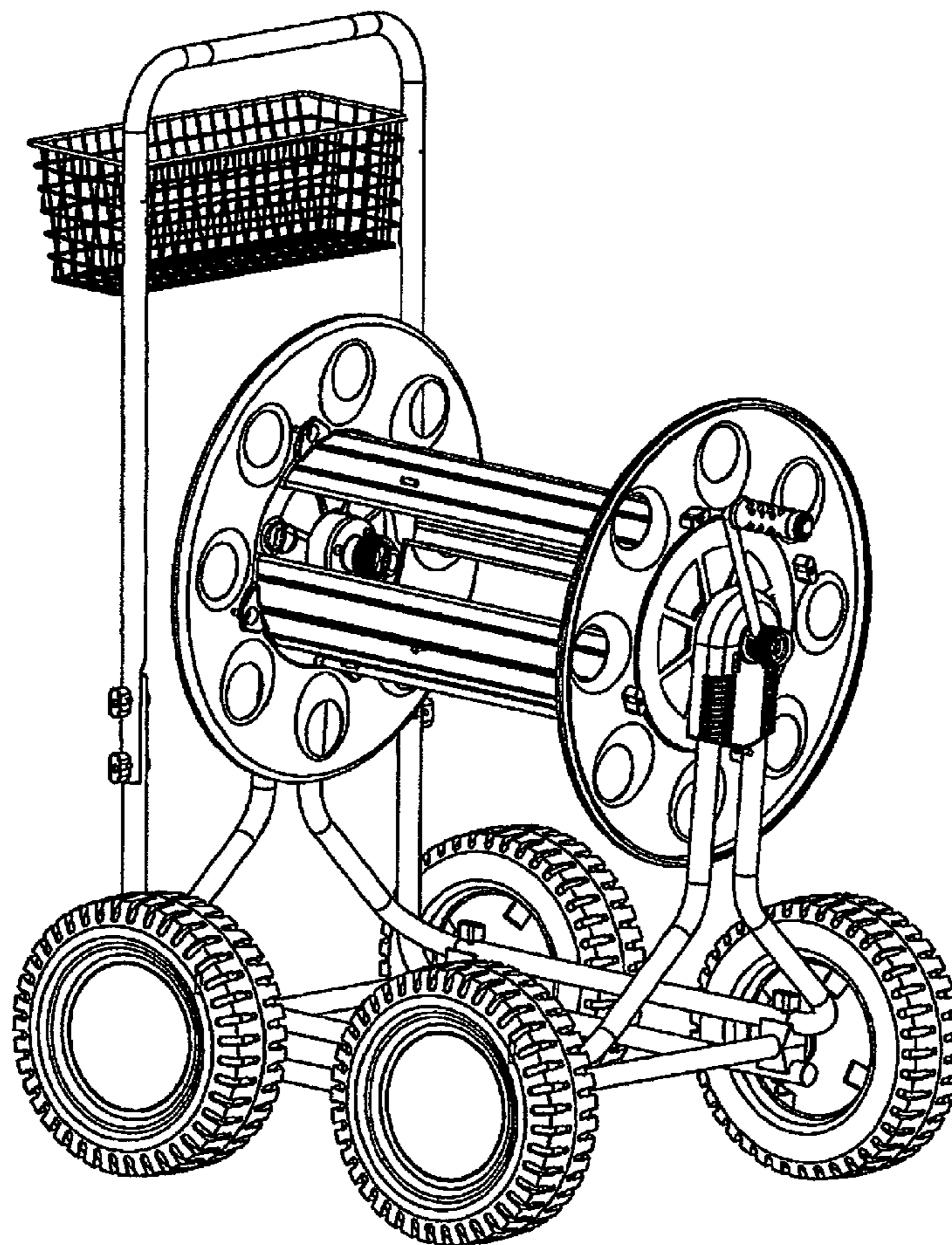
(57) **CLAIM**

The ornamental design for a hose winding cart, as shown and described.

DESCRIPTION

FIG. 1 shows a front perspective view of a hose winding cart; FIG. 2 shows a back perspective view of the cart of FIG. 1; FIG. 3 shows a back view of the cart of FIG. 1; FIG. 4 shows a first lateral view of the cart of FIG. 1; FIG. 5 shows a front view of the cart of FIG. 1; FIG. 6 shows a second lateral view of the cart of FIG. 1; and, FIG. 7 shows a top view of the cart of FIG. 1.

1 Claim, 7 Drawing Sheets



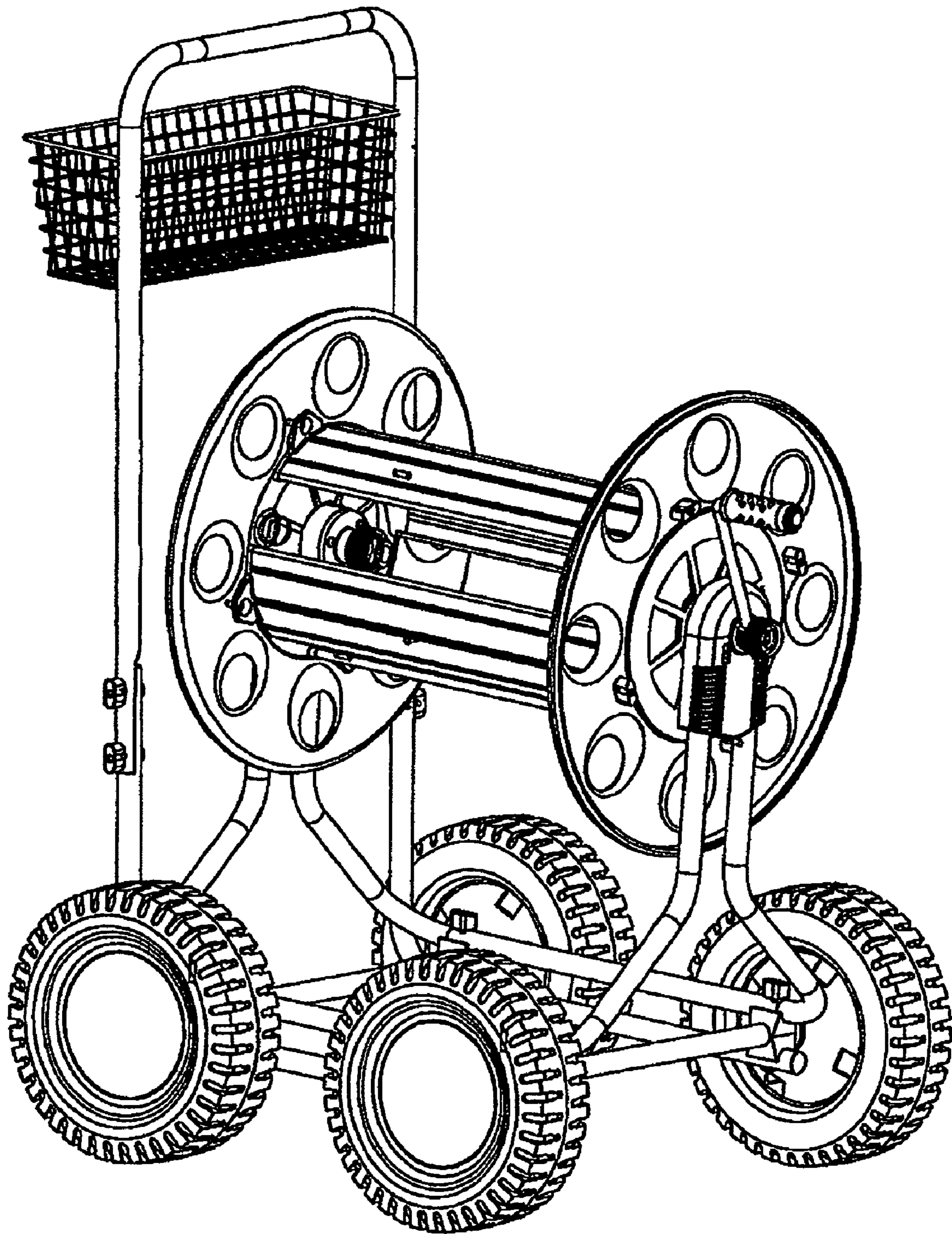


FIG. 1

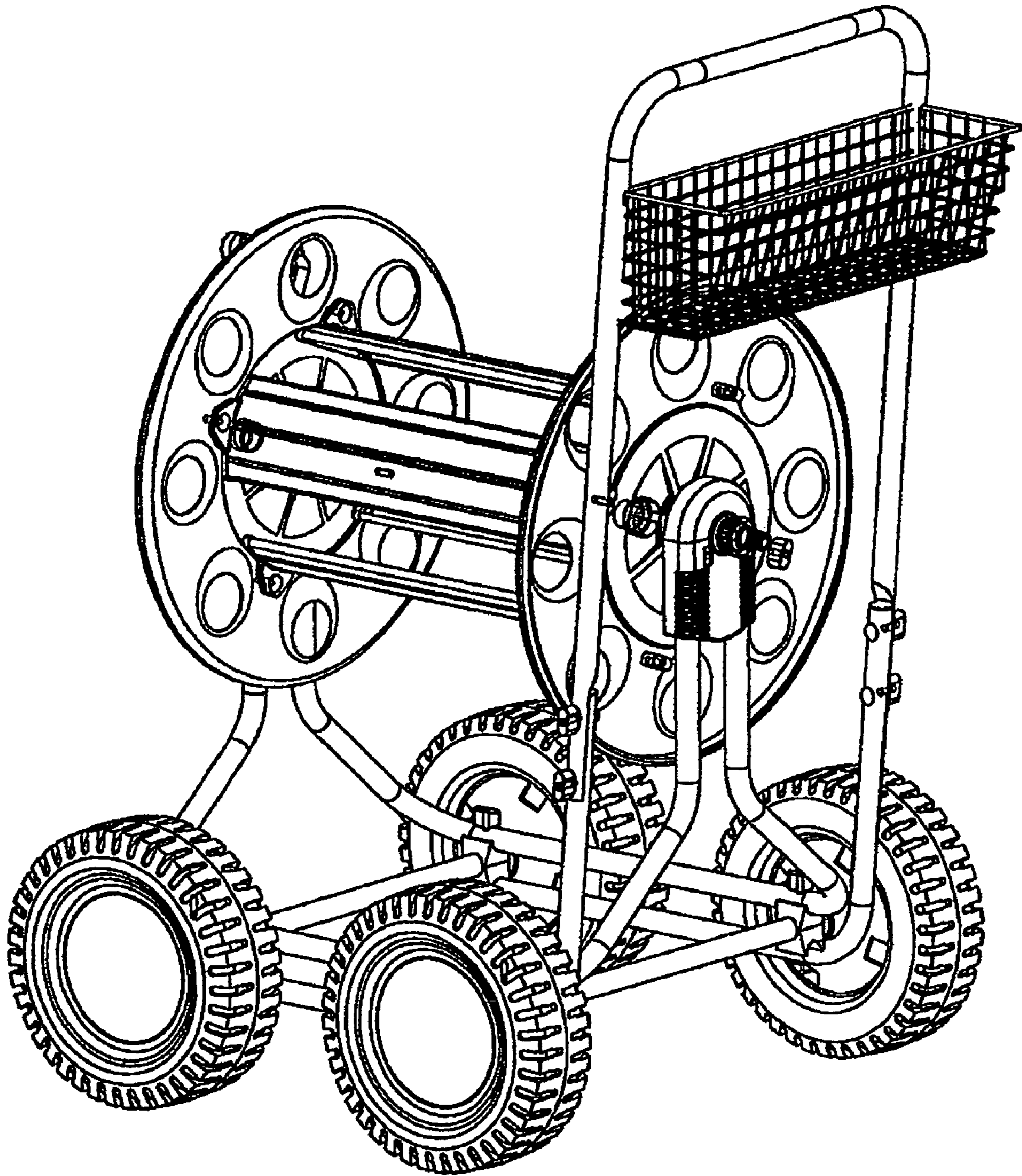


FIG.2

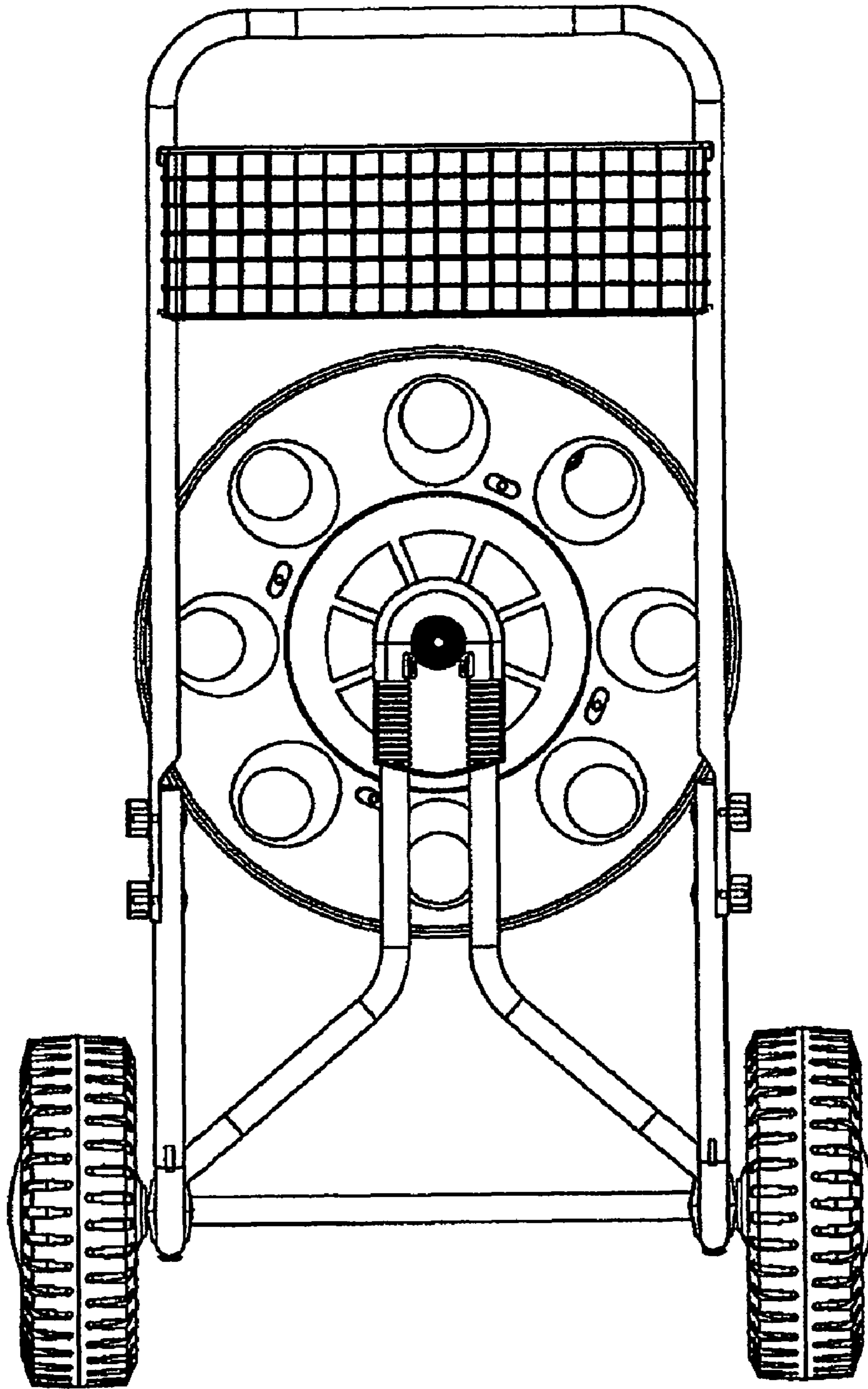


FIG. 3

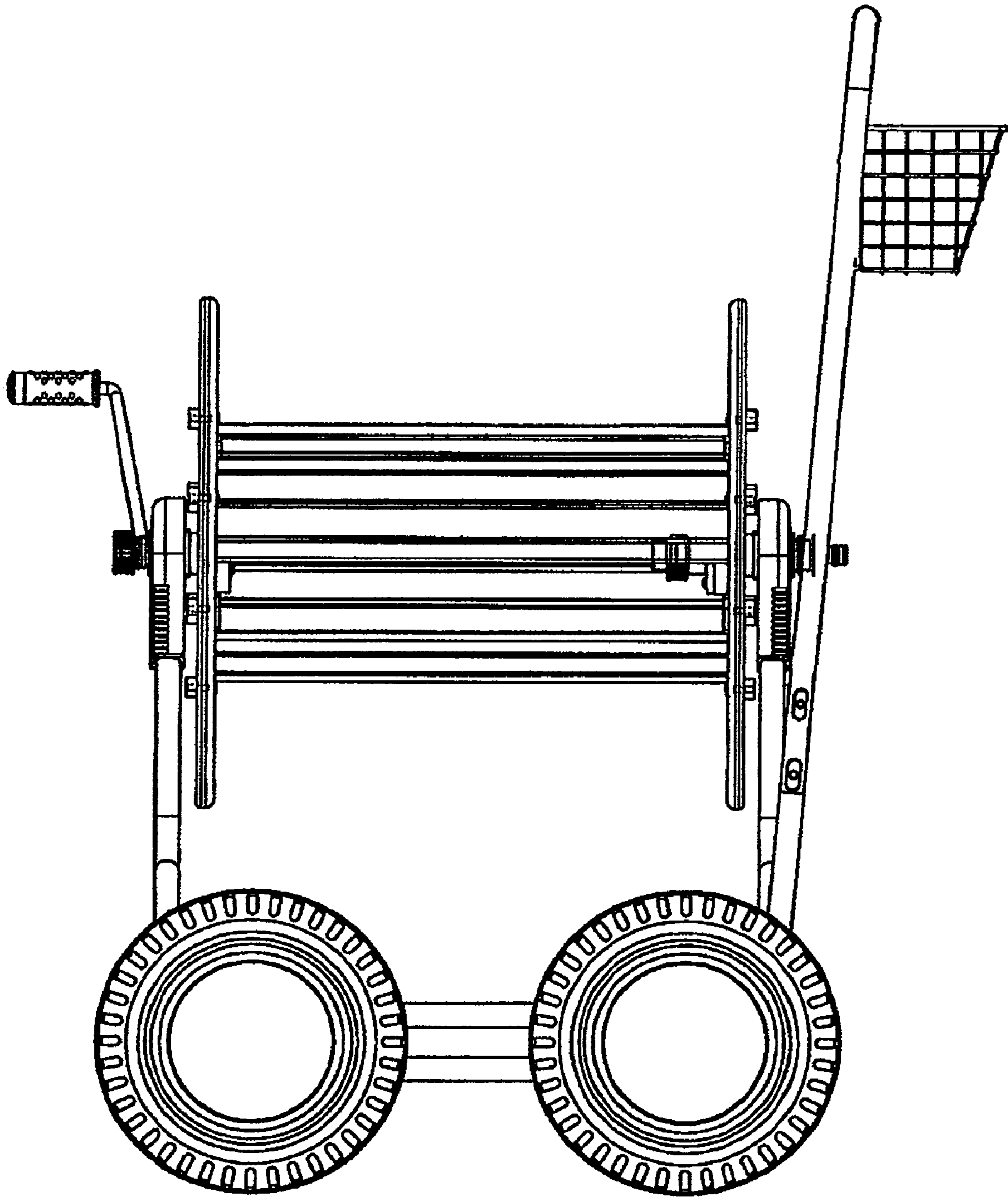


FIG.4

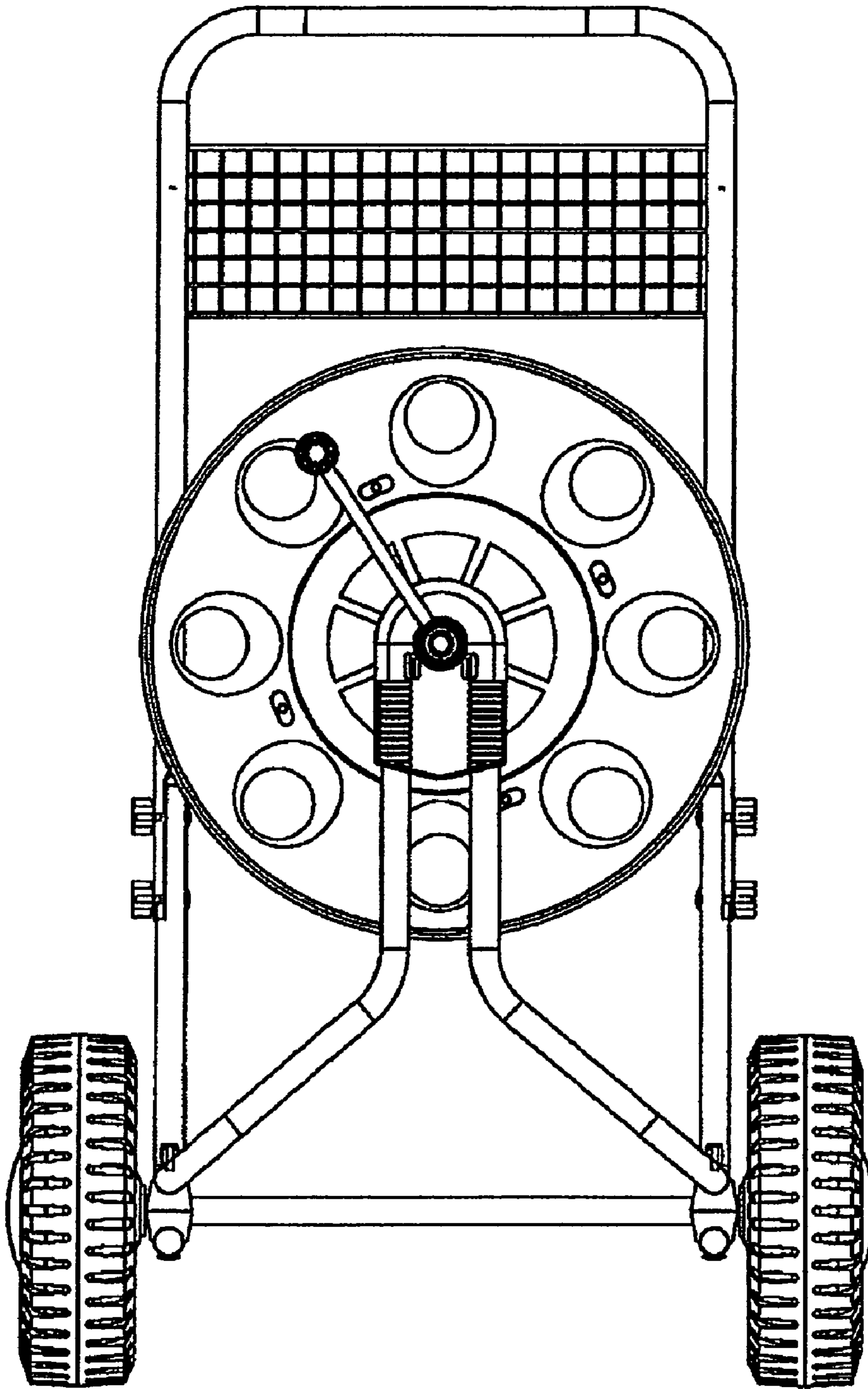


FIG.5

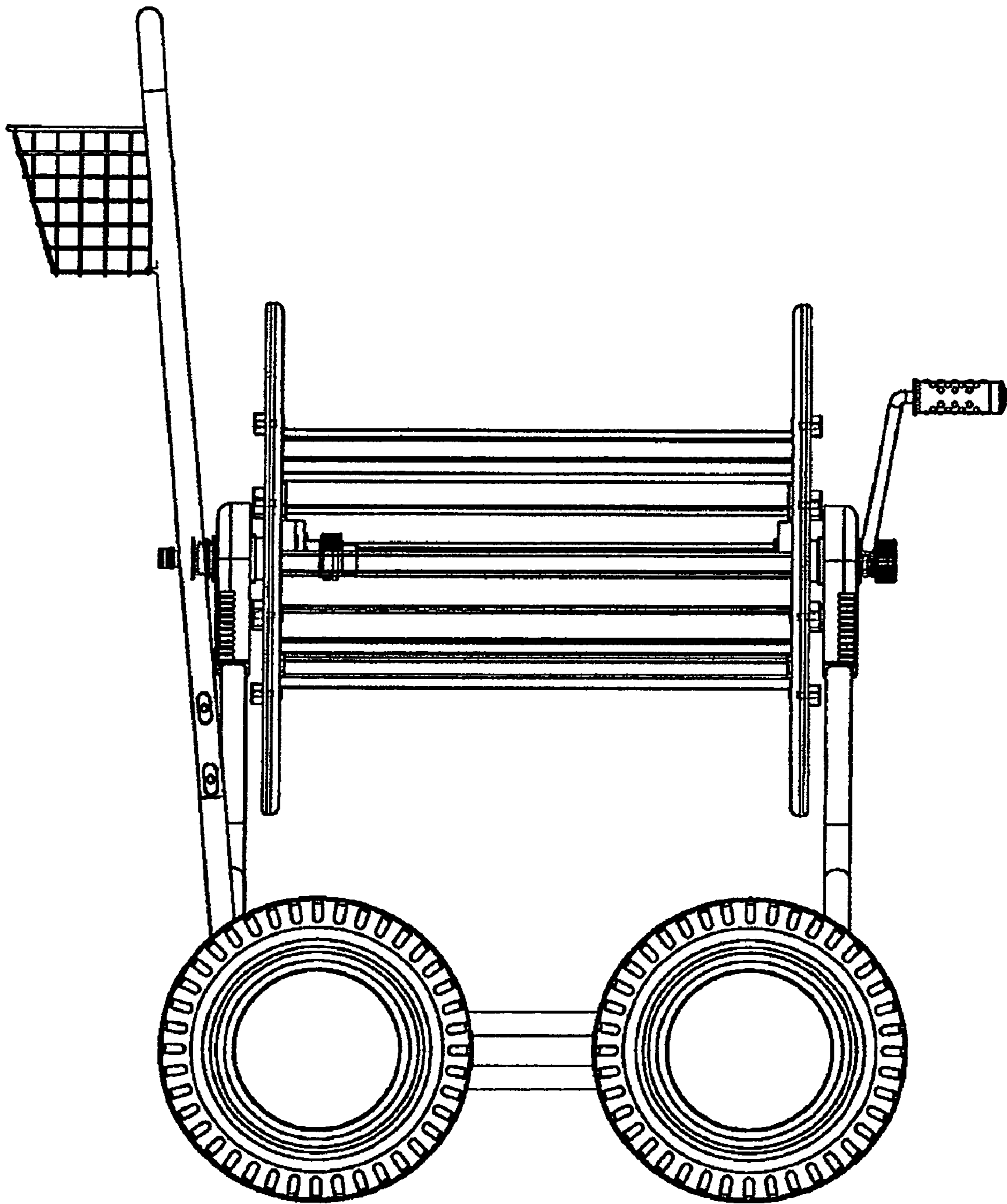


FIG.6

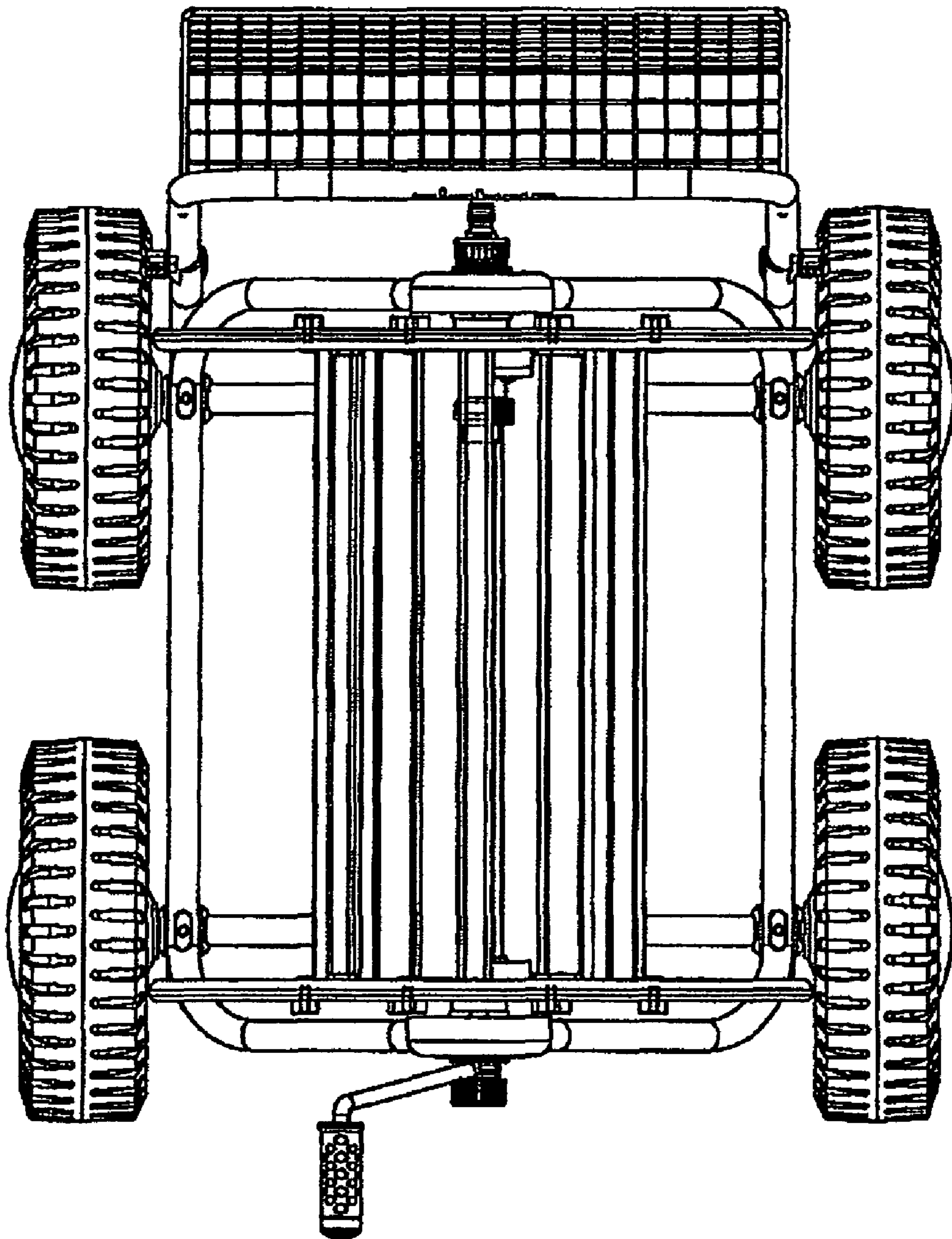


FIG. 7