



US00D621112S

(12) **United States Design Patent**
Benacquisto

(10) **Patent No.:** **US D621,112 S**
(45) **Date of Patent:** **** Aug. 3, 2010**

(54) **EXTRACTION CLEANER ACCESSORY TOOL**

D590,112 S * 4/2009 Sun D32/32
D590,553 S * 4/2009 Crevling et al. D32/31
D596,362 S * 7/2009 Crevling et al. D32/33

(75) Inventor: **Justin Benacquisto**, Caledonia, MI (US)

(73) Assignee: **BISSELL Homecare, Inc.**, Grand Rapids, MI (US)

* cited by examiner

Primary Examiner—Ruth McInroy

(74) *Attorney, Agent, or Firm*—McGarry Bair PC

(**) Term: **14 Years**

(21) Appl. No.: **29/352,713**

(57) **CLAIM**

(22) Filed: **Dec. 23, 2009**

The ornamental design for an extraction cleaner accessory tool, as shown and described.

(51) **LOC (9) Cl.** **15-05**

(52) **U.S. Cl.** **D32/33**

(58) **Field of Classification Search** D32/31-34;
15/414-422.1, 236.04, 144.4, 144.3, 406,
15/104.05, 383, 377, 412, 400-402, 387,
15/322, 344, 353

See application file for complete search history.

DESCRIPTION

FIG. 1 is a front perspective view of an extraction cleaner accessory tool which embodies our design;

FIG. 2 is a front view thereof;

FIG. 3 is a rear view thereof;

FIG. 4 is a left side view thereof, the right side being a mirror image;

FIG. 5 is a top view thereof; and,

FIG. 6 is a bottom view.

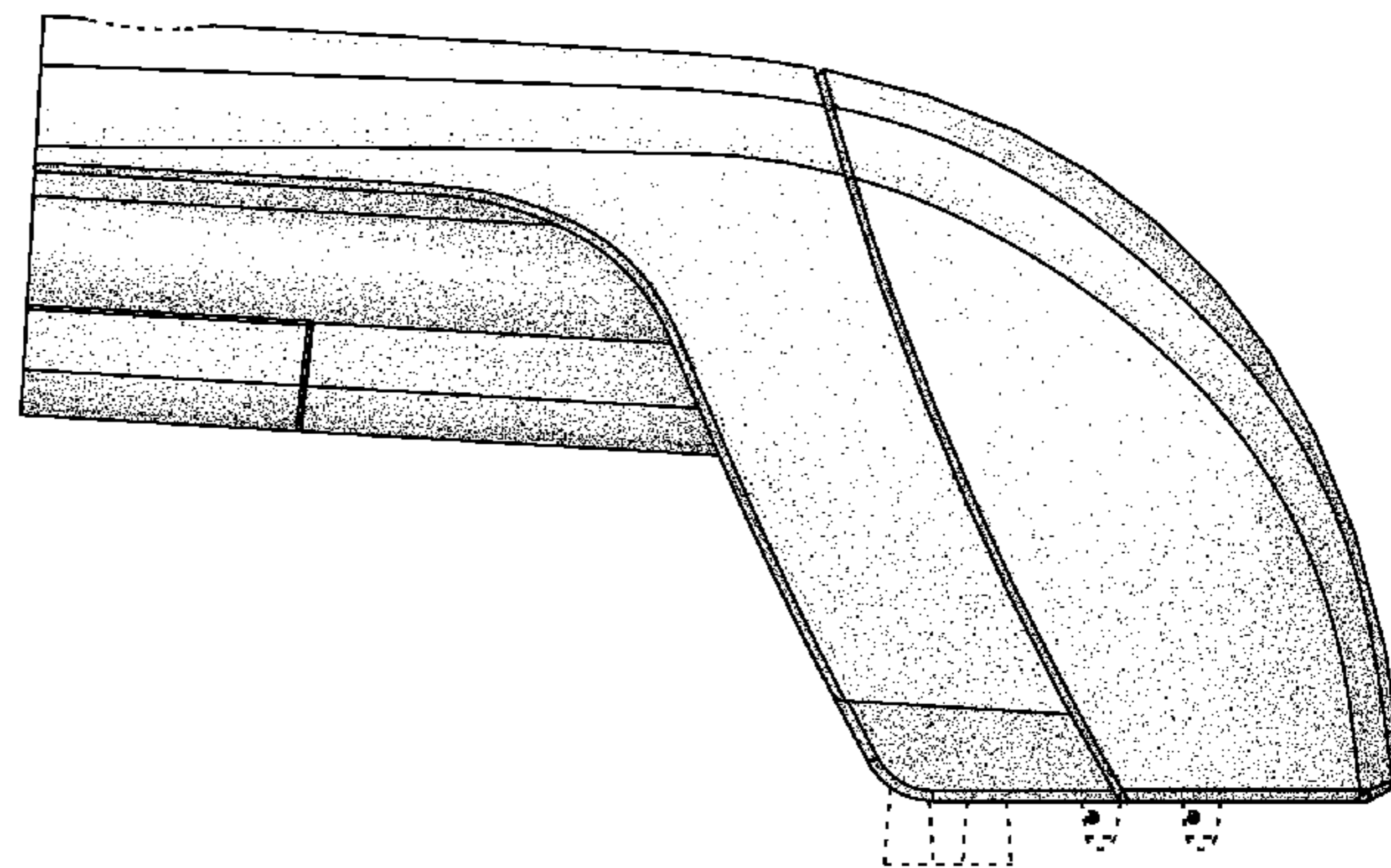
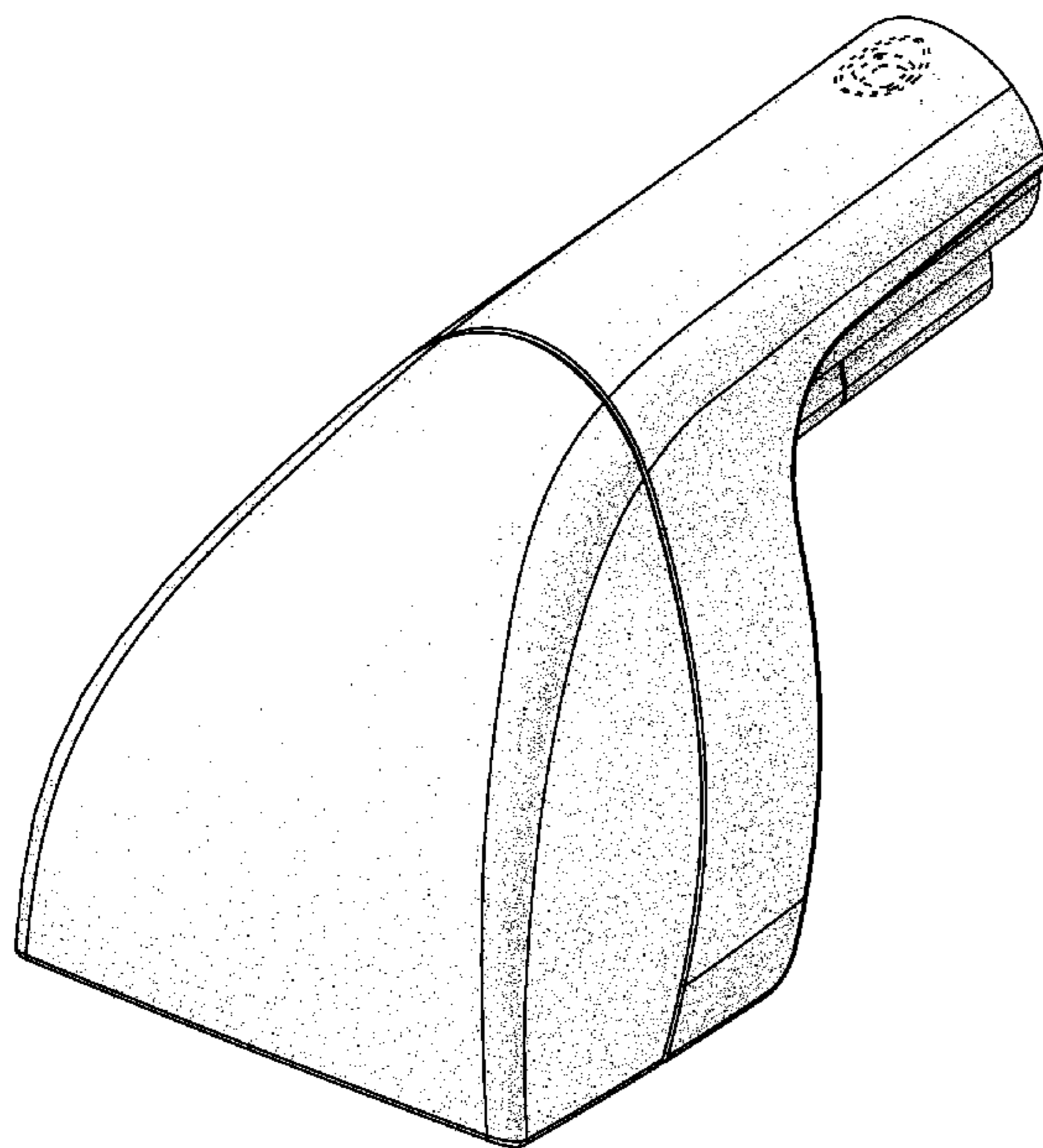
Portions of the extraction cleaner accessory tool shown in broken lines form no part of the claimed design.

(56) **References Cited**

U.S. PATENT DOCUMENTS

D215,875 S * 11/1969 Hoadley D32/32
D289,336 S * 4/1987 Fitzwater D32/32
5,768,748 A * 6/1998 Silvera et al. 15/402
D479,636 S * 9/2003 Kitts D32/31
D538,986 S * 3/2007 Ingram D32/32
D566,357 S * 4/2008 Santiago D32/32

1 Claim, 4 Drawing Sheets



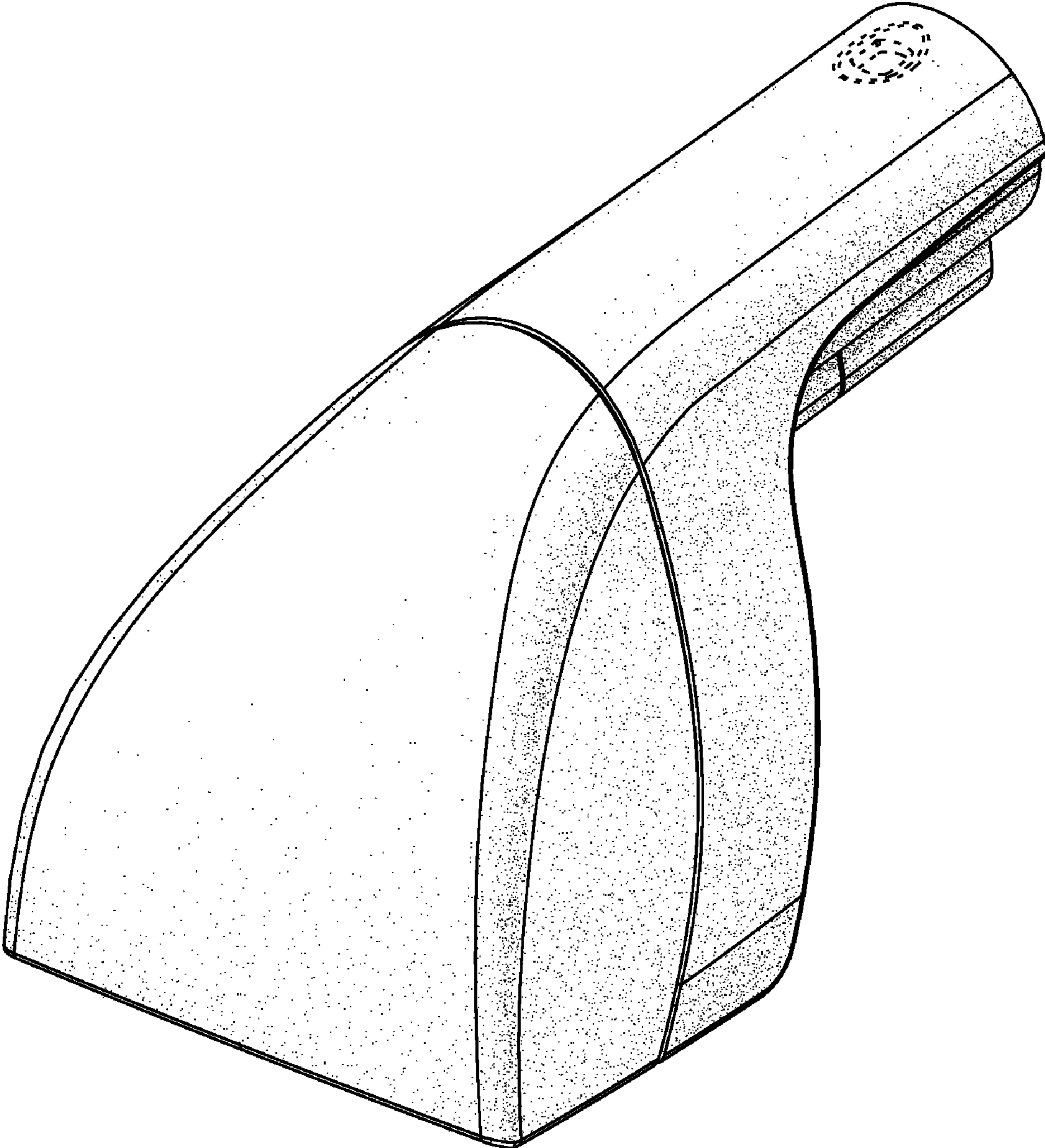


Fig. 1

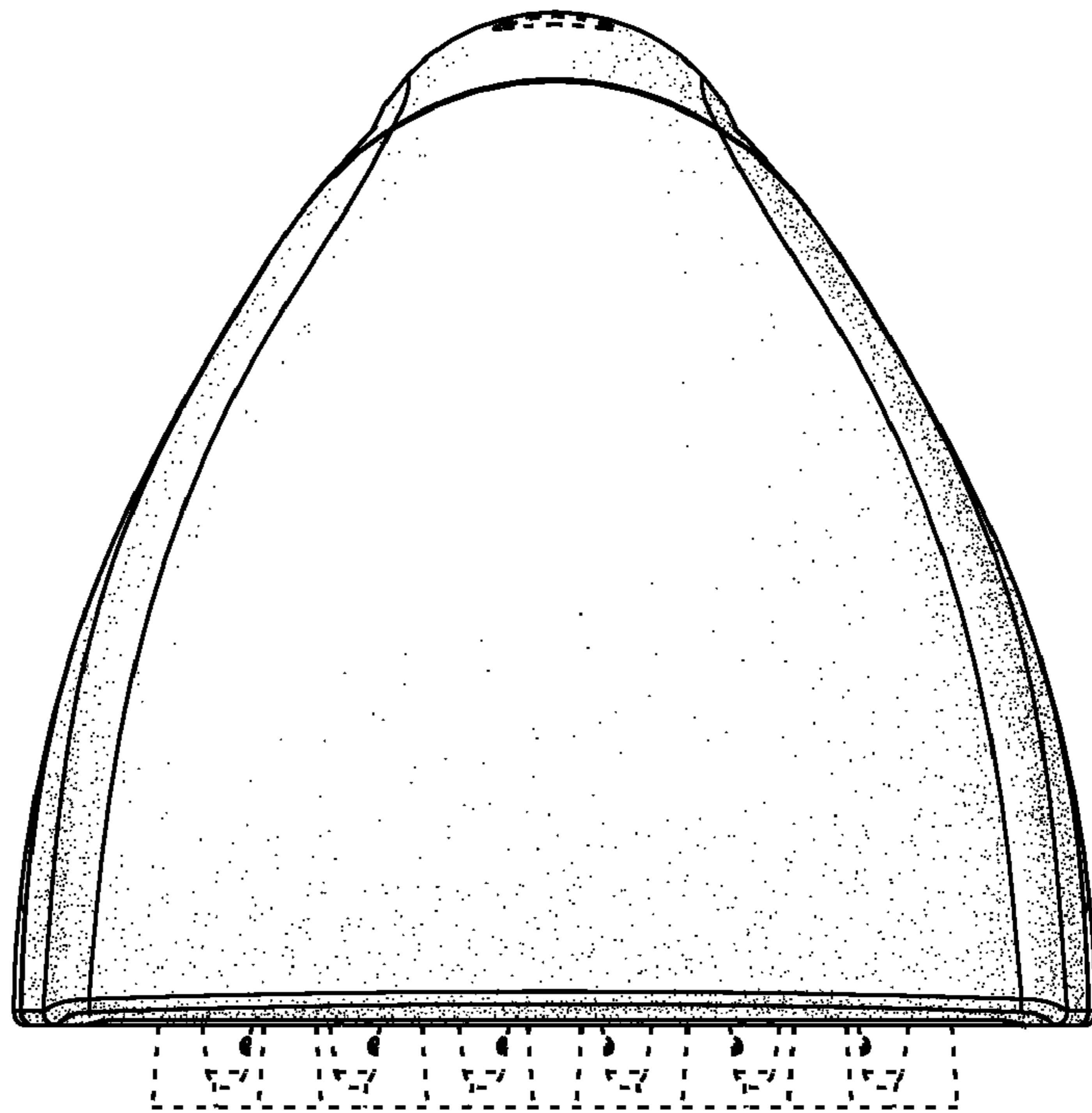


Fig. 2

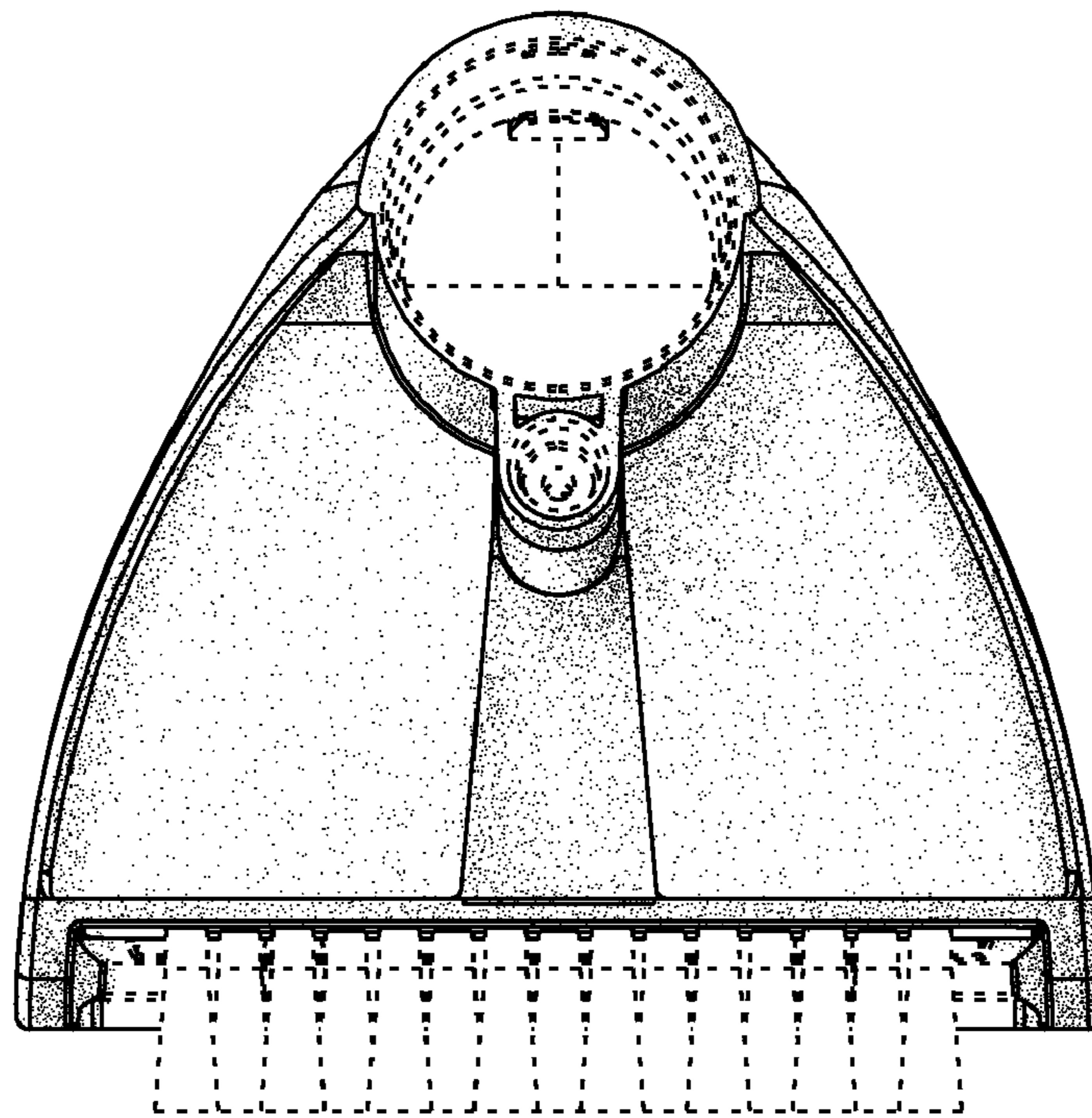


Fig. 3

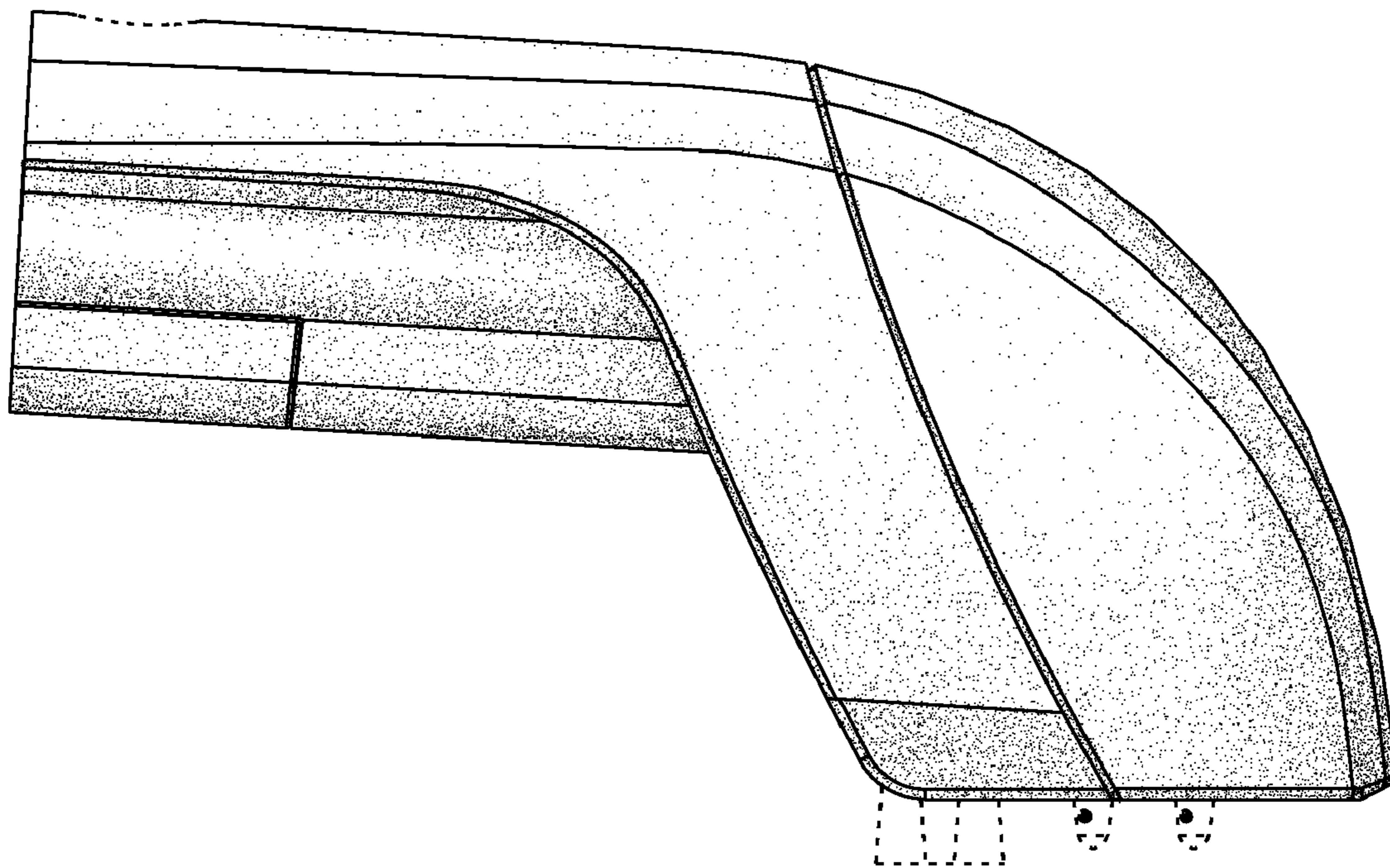


Fig. 4

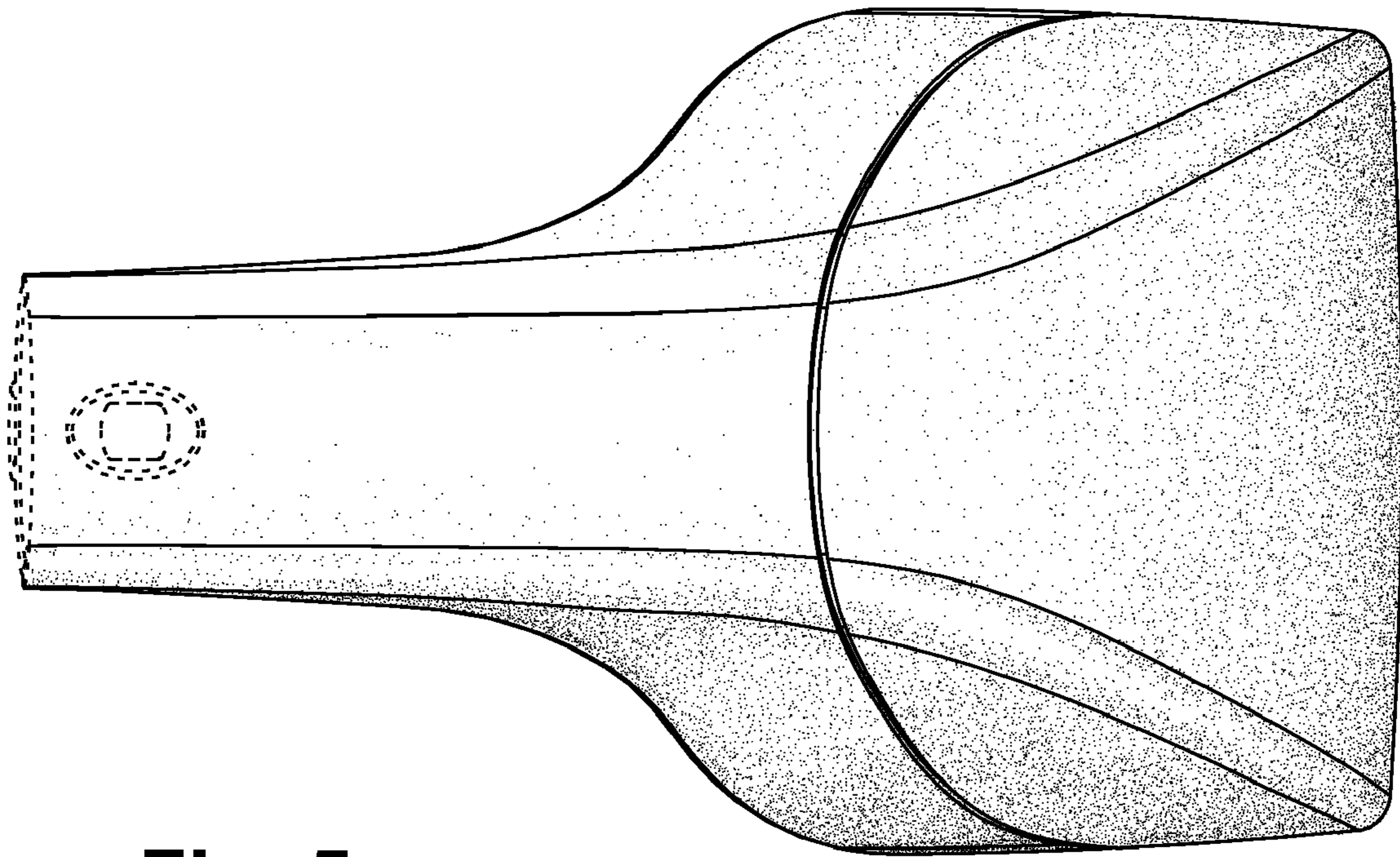


Fig. 5

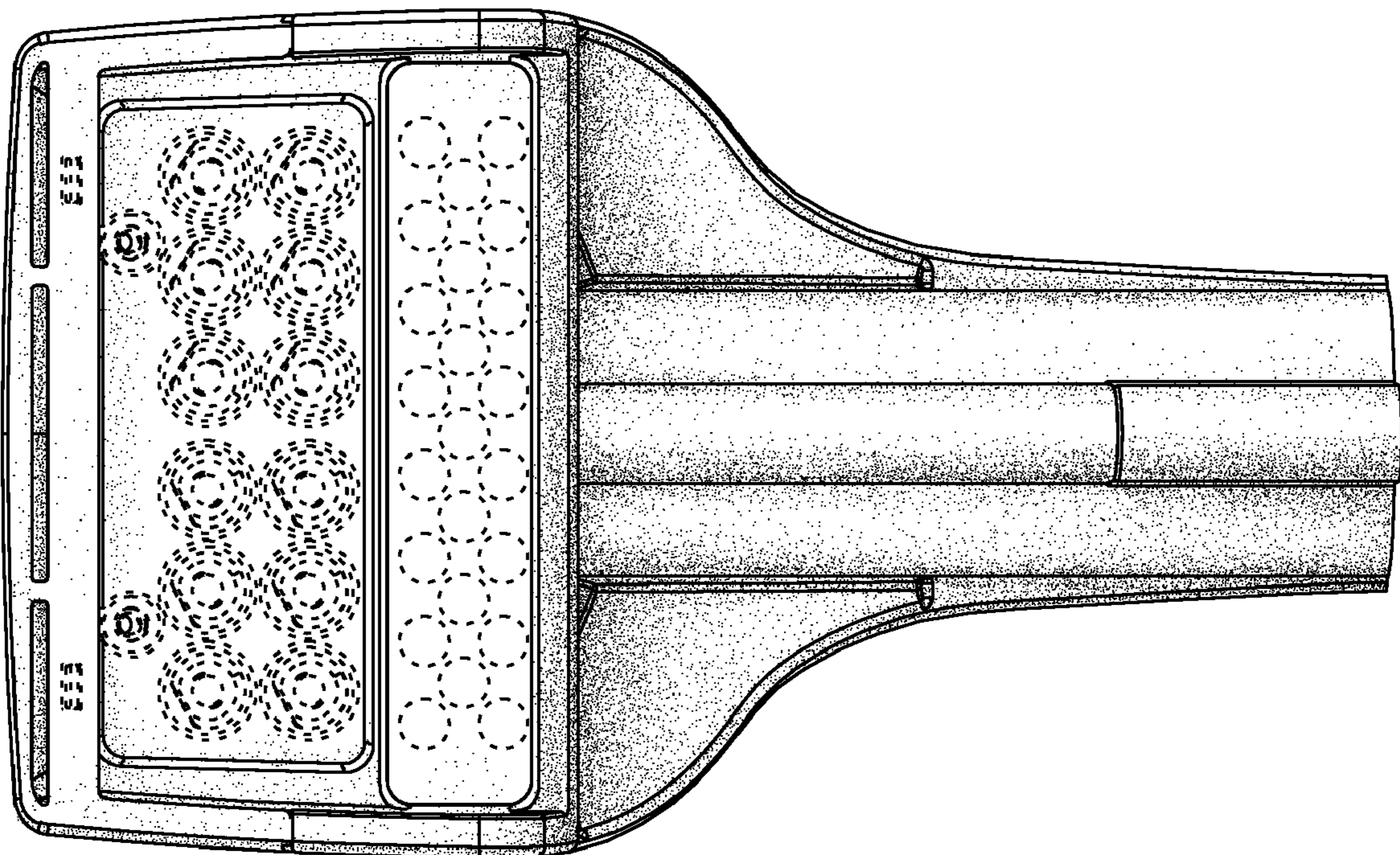


Fig. 6