



US00D621111S

(12) **United States Design Patent**
Kim

(10) **Patent No.:** **US D621,111 S**
(45) **Date of Patent:** **** Aug. 3, 2010**

(54) **BRUSH FOR VACUUM CLEANER**
(75) Inventor: **Kang Doo Kim**, Kyunggi-do (KR)
(73) Assignee: **Samsung Electronics Co., Ltd.**,
Suwon-Si (KR)
(**) Term: **14 Years**
(21) Appl. No.: **29/355,741**
(22) Filed: **Feb. 12, 2010**

D590,112 S * 4/2009 Sun D32/32
D590,554 S * 4/2009 Griffin D32/32
2006/0042041 A1 * 3/2006 Kim 15/387
2006/0042043 A1 * 3/2006 Kim 15/412
2006/0179606 A1 * 8/2006 Worwag 15/387
2007/0204427 A1 * 9/2007 Cho et al. 15/387
2009/0235483 A1 * 9/2009 Seo 15/383

* cited by examiner

Primary Examiner—Ruth McInroy
(74) *Attorney, Agent, or Firm*—Ladas and Parry LLP

(51) **LOC (9) Cl.** **15-05**
(52) **U.S. Cl.** **D32/32**
(58) **Field of Classification Search** D32/31–34;
15/414–422.1, 236.04, 144.4, 144.3, 406,
15/104.05, 383, 377, 412, 400–402, 387,
15/322, 344
See application file for complete search history.

(57) **CLAIM**

I claim the ornamental design for a brush for vacuum cleaner,
as shown.

DESCRIPTION

FIG. 1 is a top, front and right-side perspective view of a brush
for vacuum cleaner showing my new design;
FIG. 2 is a front elevational view thereof;
FIG. 3 is a rear elevational view thereof;
FIG. 4 is a left-side elevational view thereof;
FIG. 5 is a right-side elevational view thereof;
FIG. 6 is a top plan view thereof; and,
FIG. 7 is a bottom plan view thereof.

(56) **References Cited**

U.S. PATENT DOCUMENTS

D290,418 S * 6/1987 Strohmeyer D32/32
D443,741 S * 6/2001 Parr et al. D32/32
6,513,190 B1 * 2/2003 Allgeier et al. 15/387
D508,154 S * 8/2005 Carr D32/32
D520,694 S * 5/2006 Choi D32/32
D541,499 S * 4/2007 Proud et al. D32/32
7,296,324 B2 * 11/2007 Lee 15/415.1

1 Claim, 5 Drawing Sheets

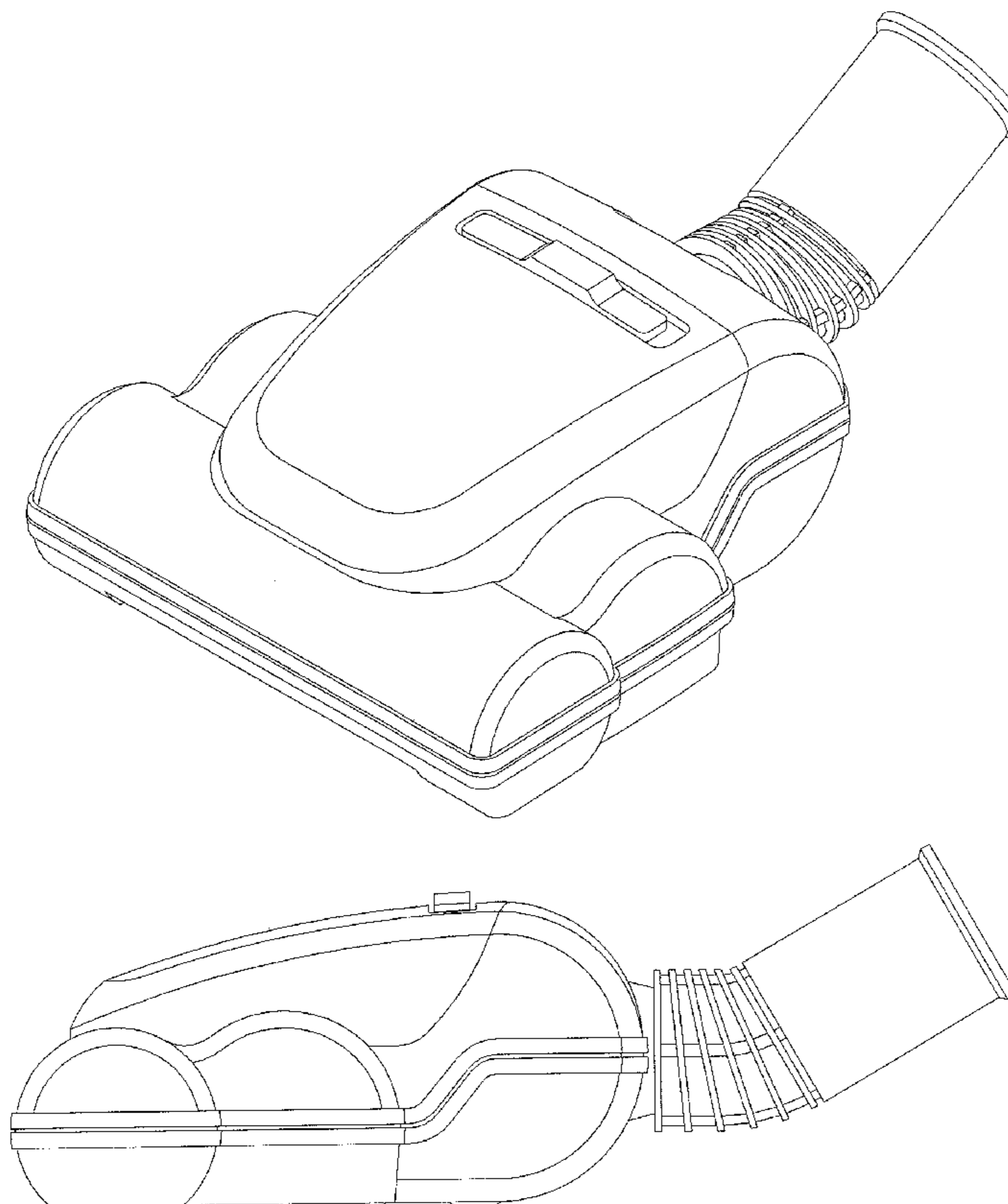


FIG. 1

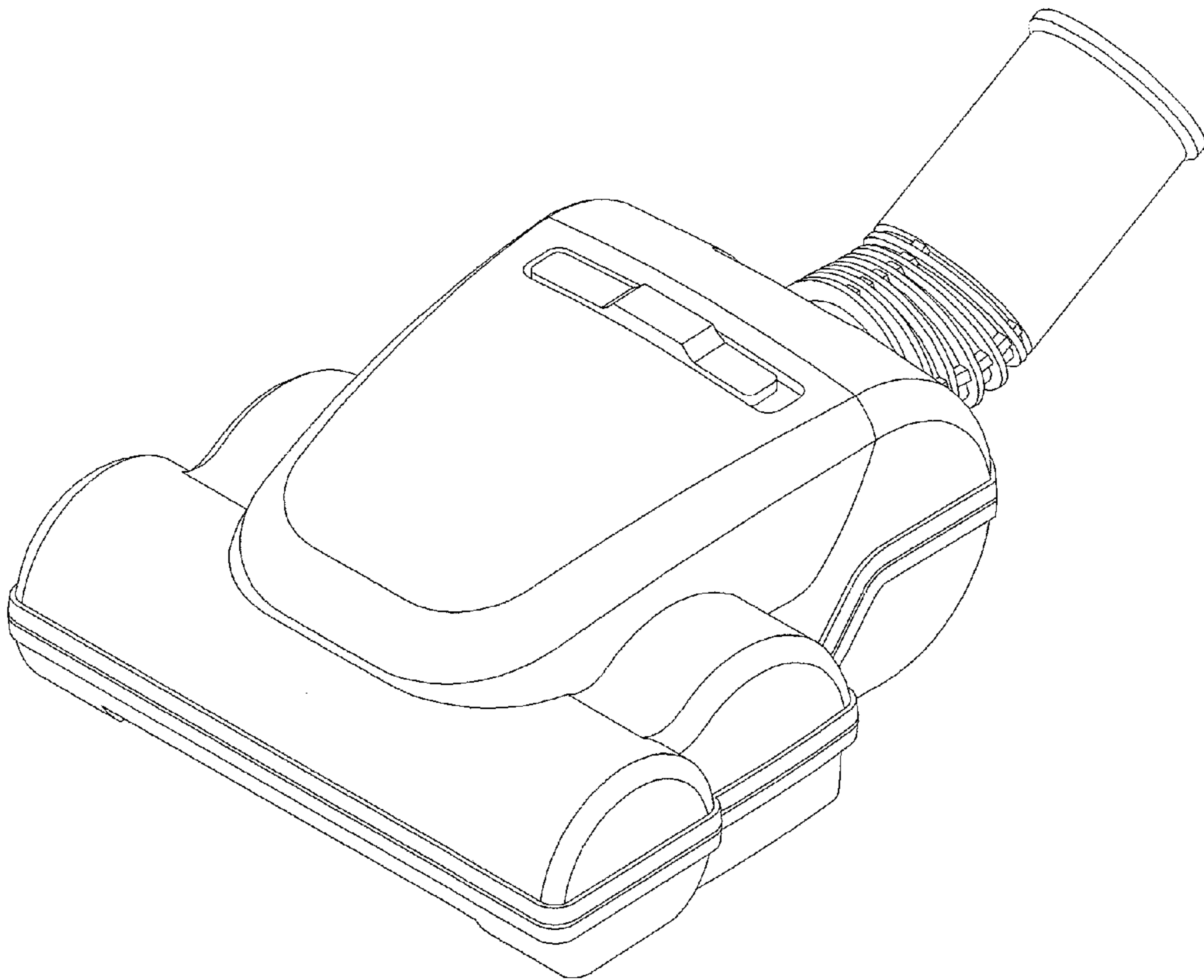


FIG. 2

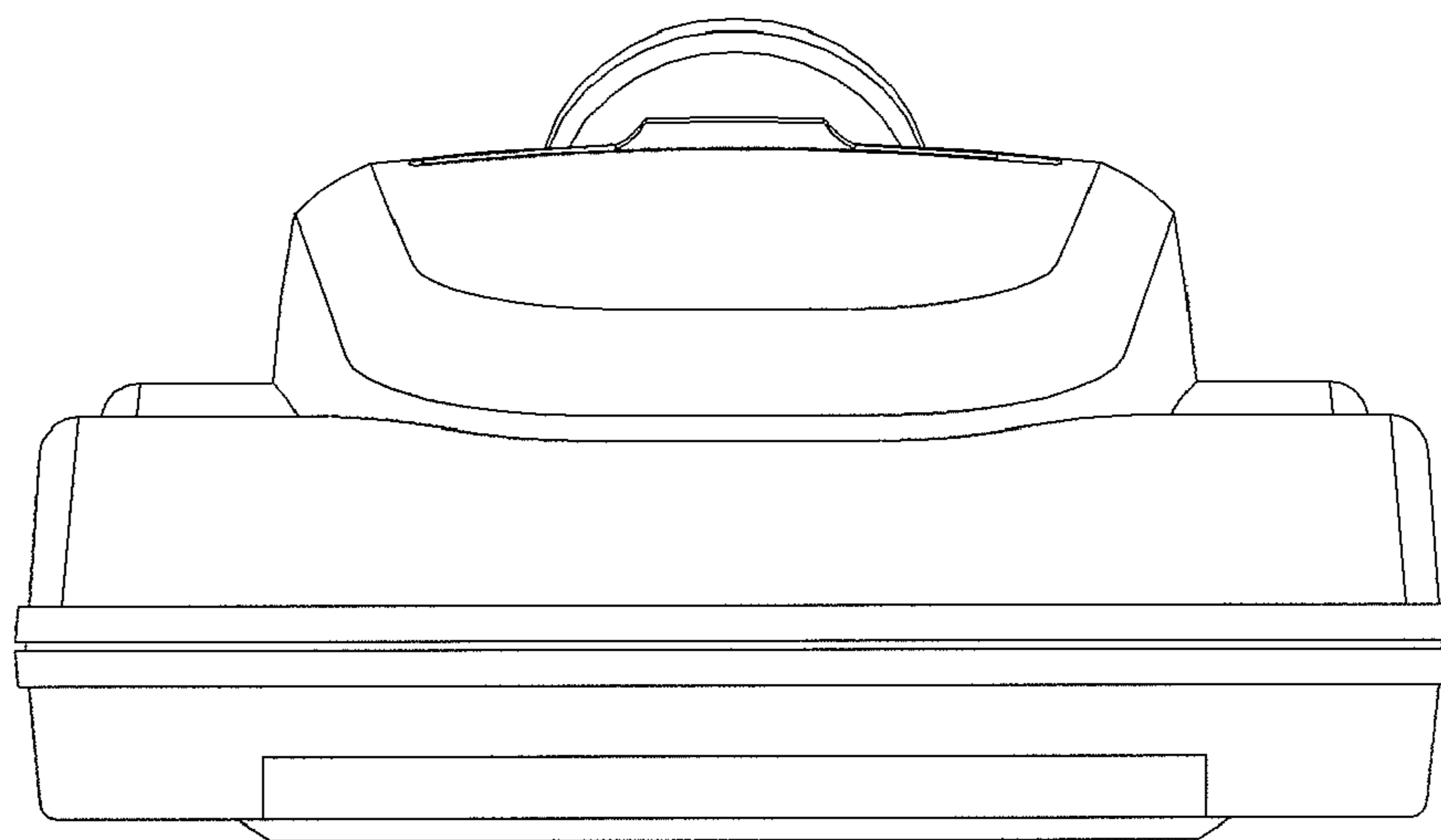


FIG. 3

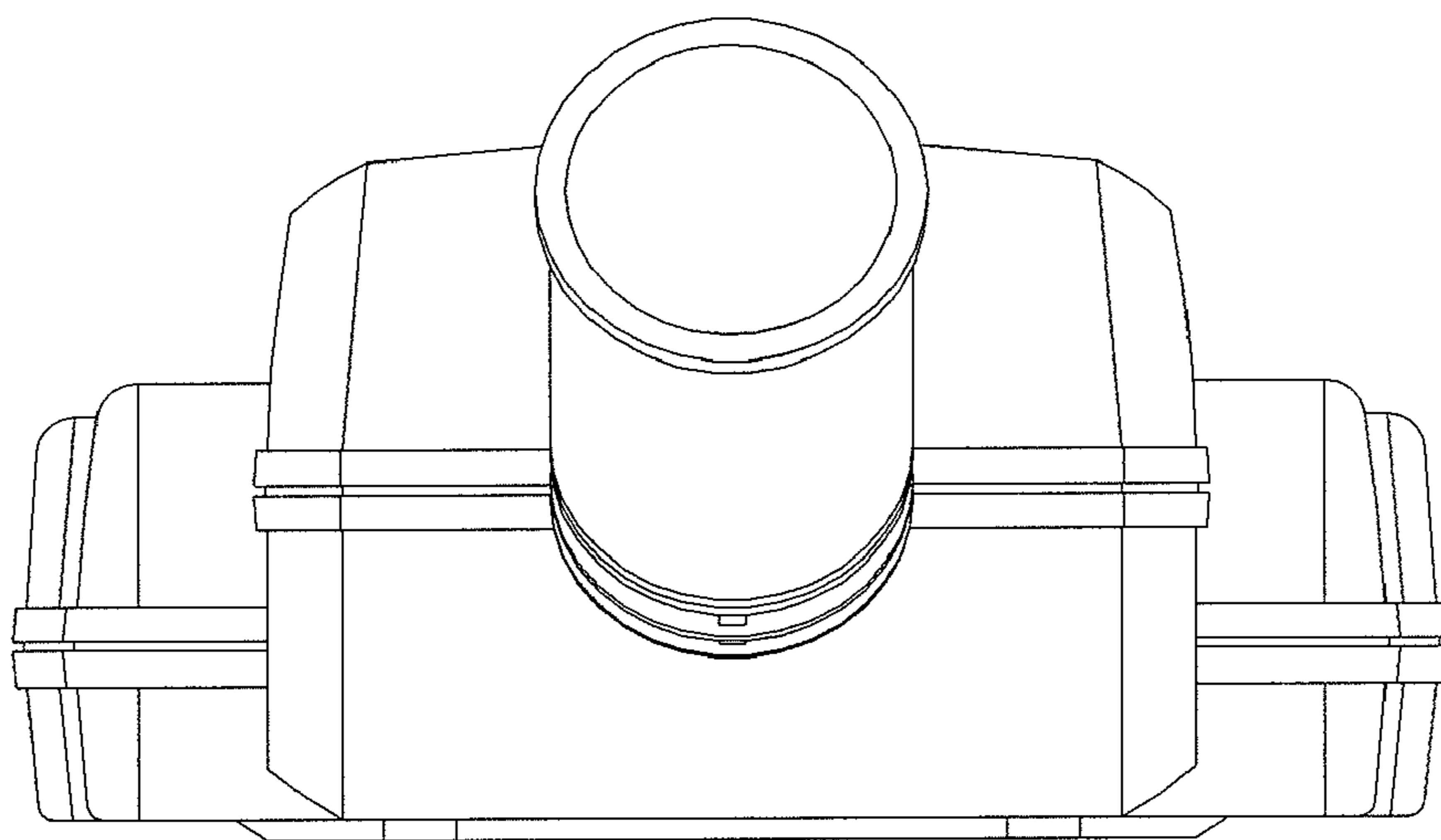


FIG. 4

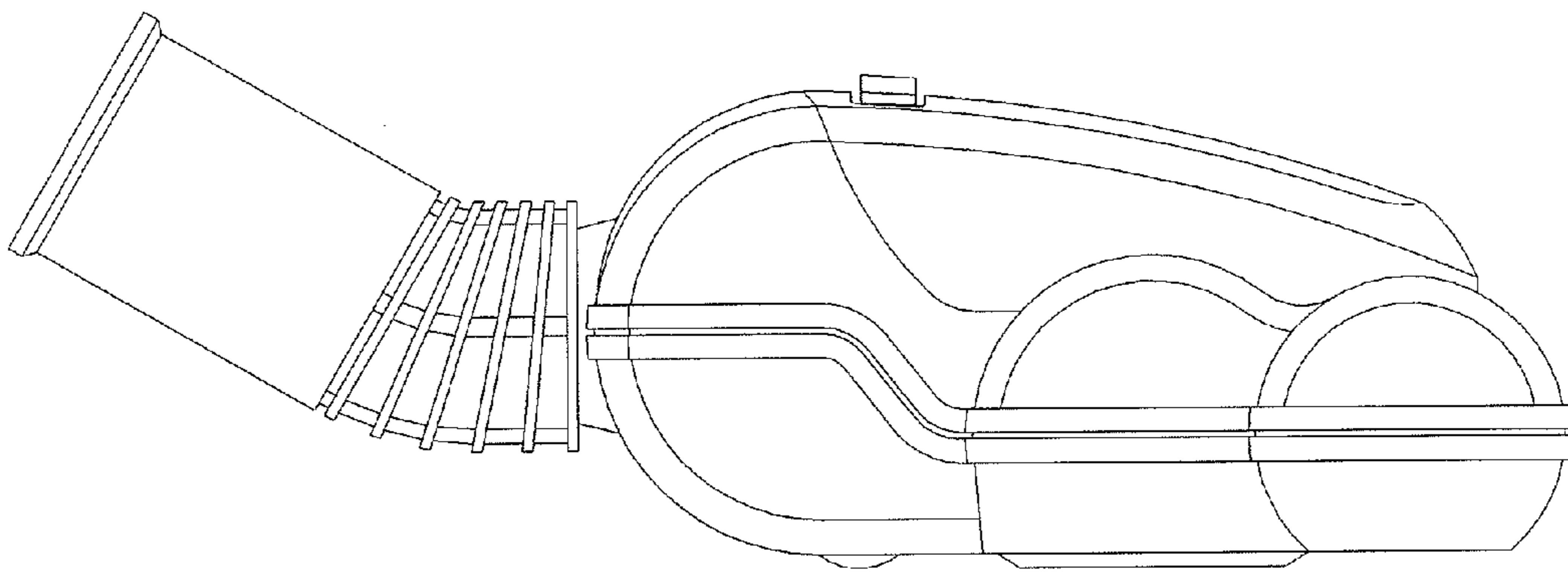


FIG. 5

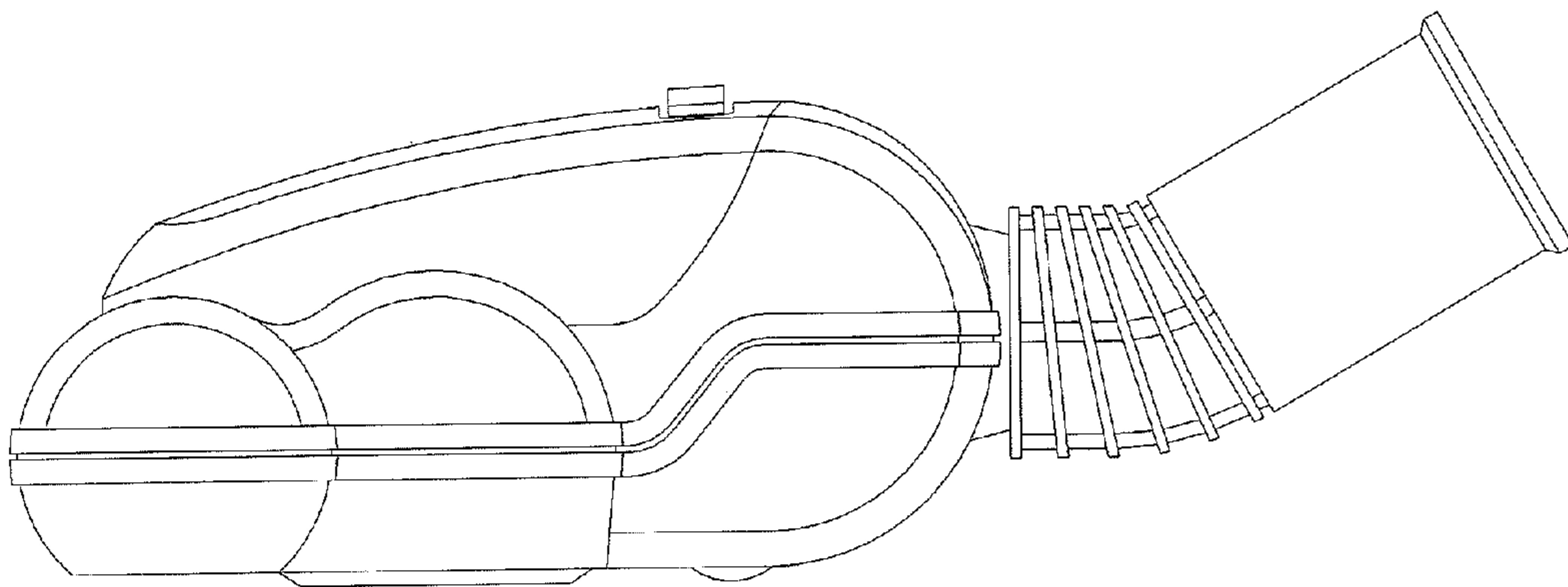


FIG. 6

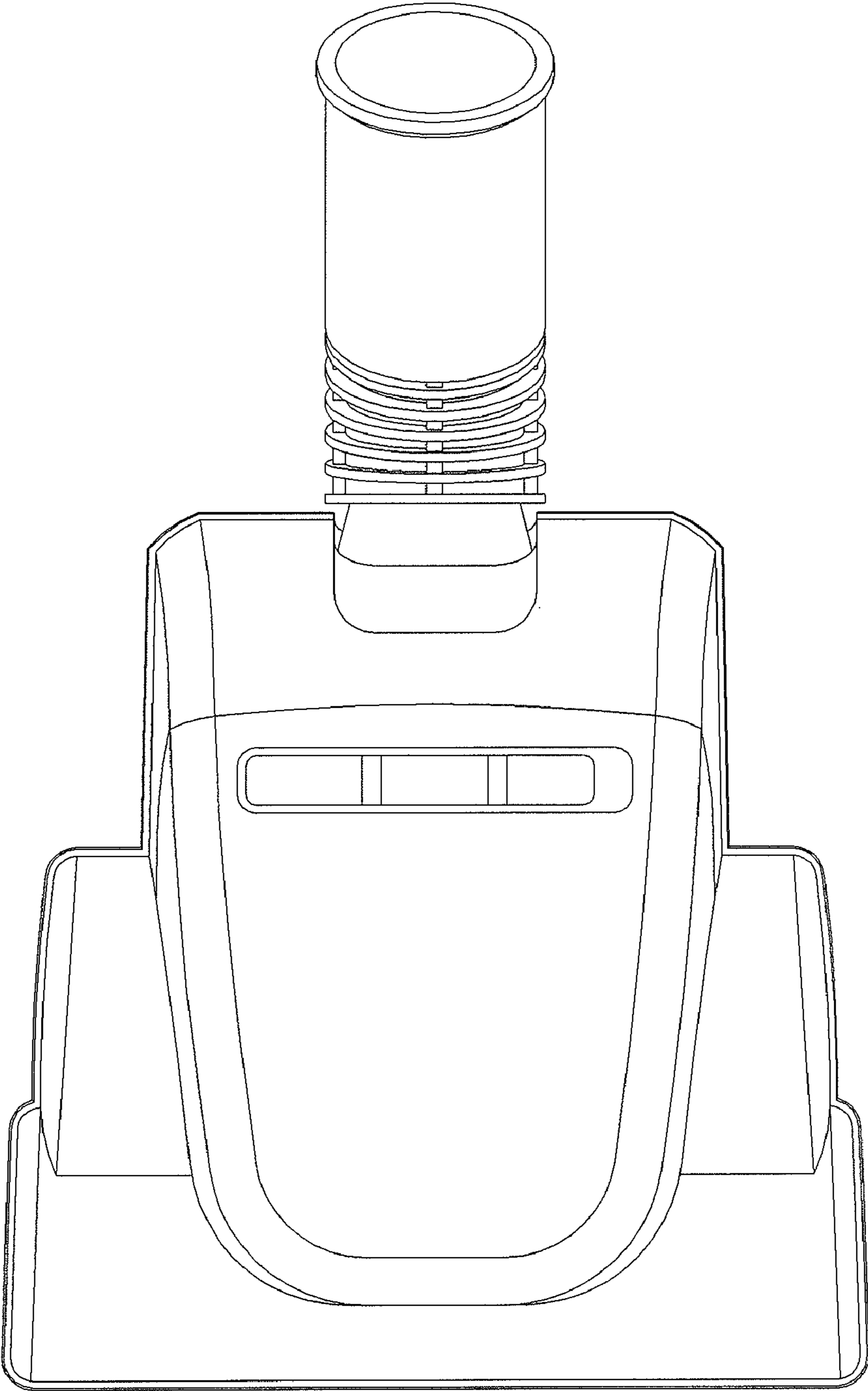


FIG. 7

