



US00D621110S

(12) **United States Design Patent**
Eden et al.

(10) **Patent No.:** **US D621,110 S**
(45) **Date of Patent:** **** Aug. 3, 2010**

(54) **NOZZLE WITH INTEGRATED HANDLE**

(76) Inventors: **Denise C. Eden**, 15253 Callaway Ct.,
Glenwood, MD (US) 21738; **Paul G. Eden**, 15253 Callaway Ct., Glenwood,
MD (US) 21738

(**) Term: **14 Years**

(21) Appl. No.: **29/337,501**

(22) Filed: **May 22, 2009**

(51) **LOC (9) Cl.** **15-05**

(52) **U.S. Cl.** **D32/32**

(58) **Field of Classification Search** D32/31-34;
15/414-422.1, 236.04, 144.4, 144.3, 406,
15/104.05, 383, 377, 412, 400-402, 387,
15/322, 344

See application file for complete search history.

(56) **References Cited**

U.S. PATENT DOCUMENTS

2,629,126	A *	2/1953	Brown, Jr.	15/402
D215,875	S *	11/1969	Hoadley	D32/32
5,184,372	A *	2/1993	Mache	15/401
D347,504	S *	5/1994	Furcron et al.	D32/33
5,768,748	A *	6/1998	Silvera et al.	15/402
6,038,732	A *	3/2000	McKnight et al.	15/414
D453,246	S *	1/2002	Nimmo	D32/32
D479,636	S *	9/2003	Kitts	D32/31

D538,986	S *	3/2007	Ingram	D32/32
D543,325	S *	5/2007	Burnham	D32/34
D562,512	S *	2/2008	Yoon	D32/34
D565,261	S *	3/2008	Peace	D32/31
D581,613	S *	11/2008	Kim	D32/34
D590,111	S *	4/2009	Wiljanen et al.	D32/32
D590,112	S *	4/2009	Sun	D32/32
D603,570	S *	11/2009	Svantesson et al.	D32/32
2009/0193615	A1 *	8/2009	Nguyen	15/415.1
2009/0235483	A1 *	9/2009	Seo	15/383

* cited by examiner

Primary Examiner—Ruth McInroy

(74) *Attorney, Agent, or Firm*—Rosenberg, Klein & Lee

(57) **CLAIM**

The ornamental design for a nozzle with integrated handle, as shown and described.

DESCRIPTION

FIG. 1 is a right side elevational view of a nozzle with integrated handle showing our new design, the left side being a mirror image;

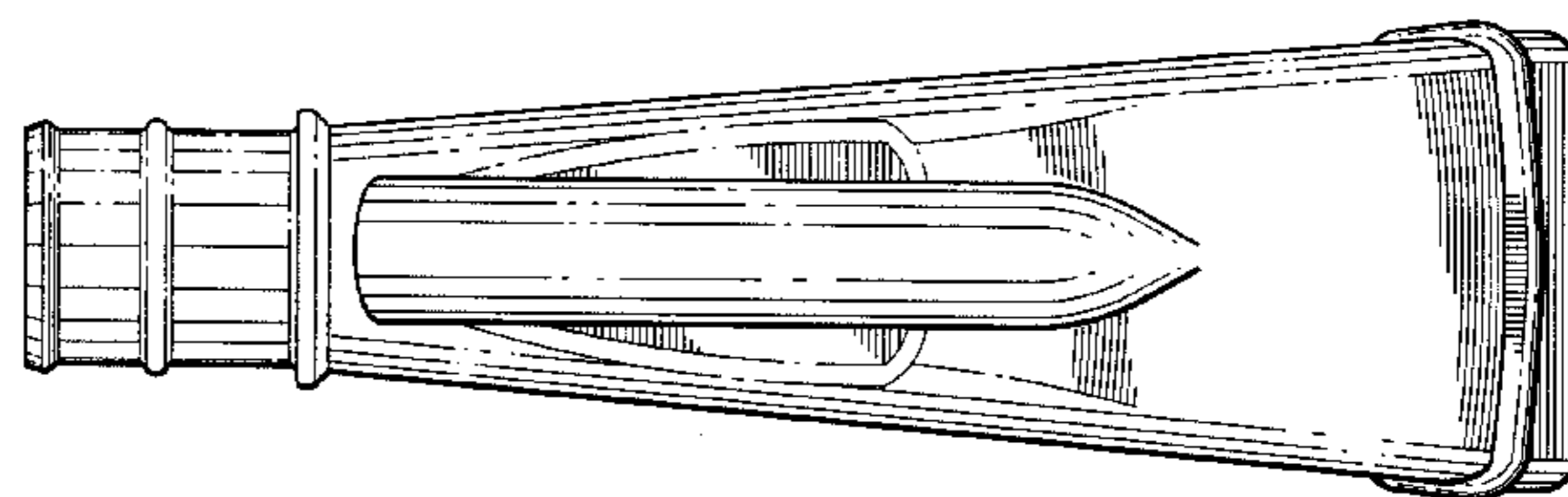
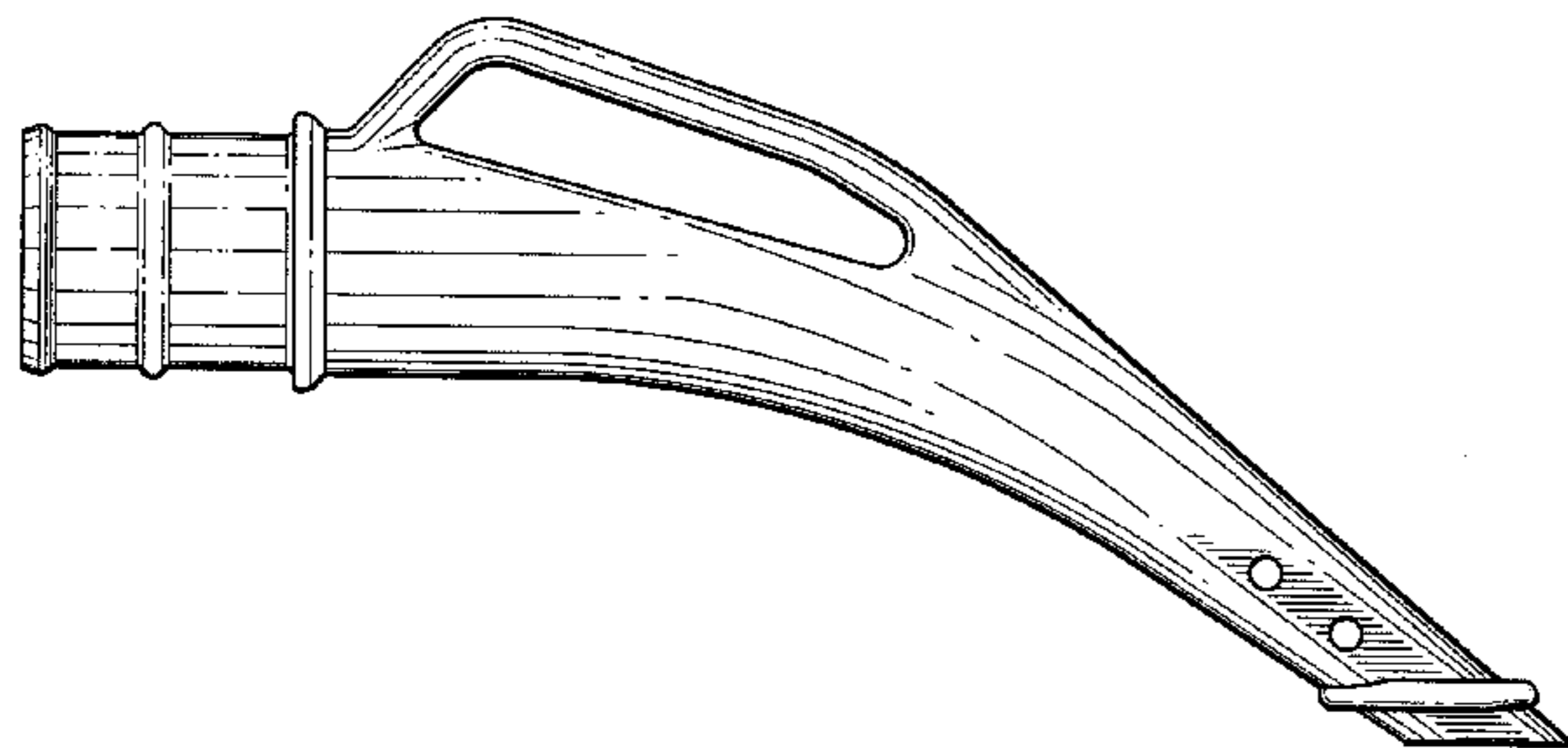
FIG. 2 is a top plan view thereof;

FIG. 3 is a bottom plan view thereof;

FIG. 4 is a front elevational view thereof; and,

FIG. 5 is a rear elevational view thereof.

1 Claim, 5 Drawing Sheets



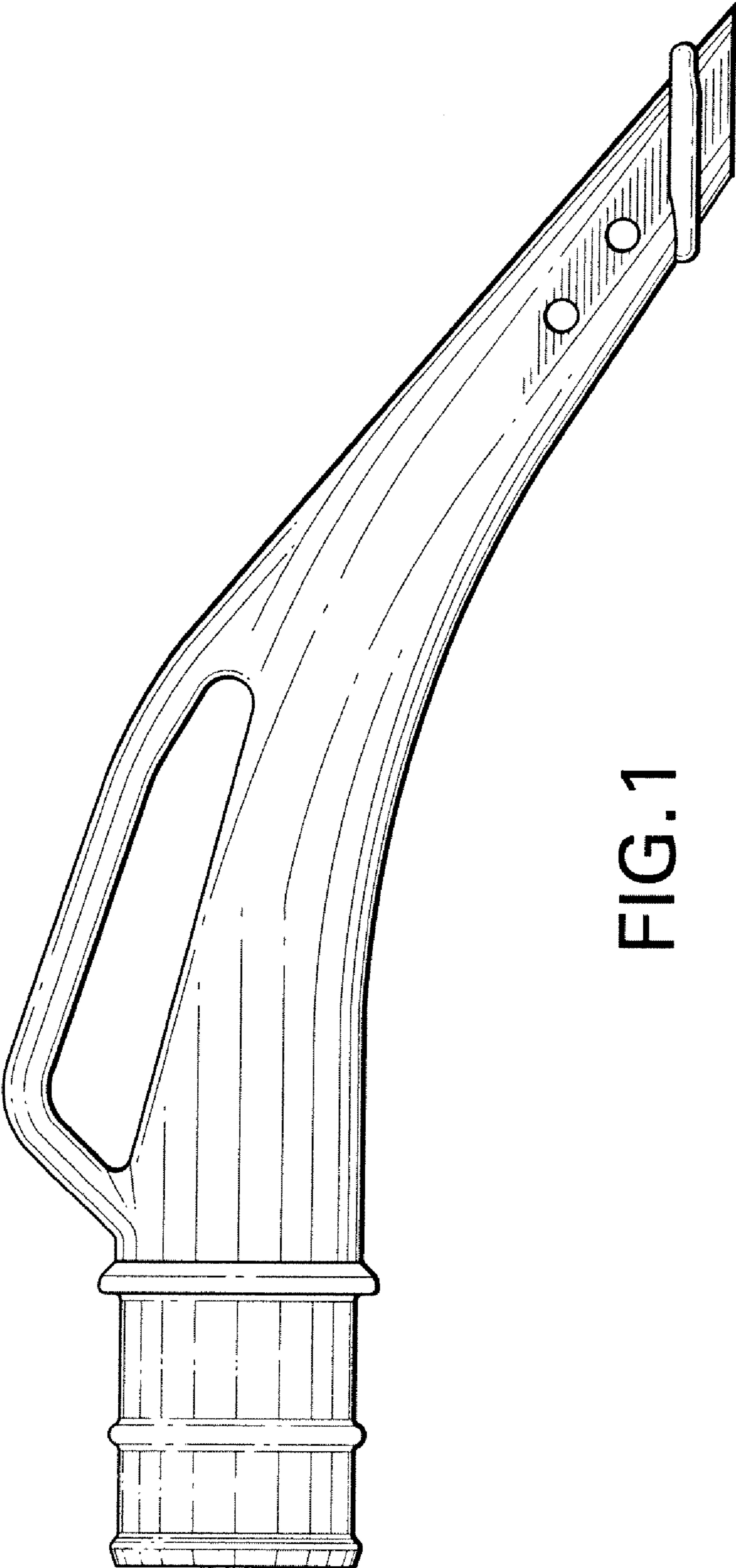


FIG. 1

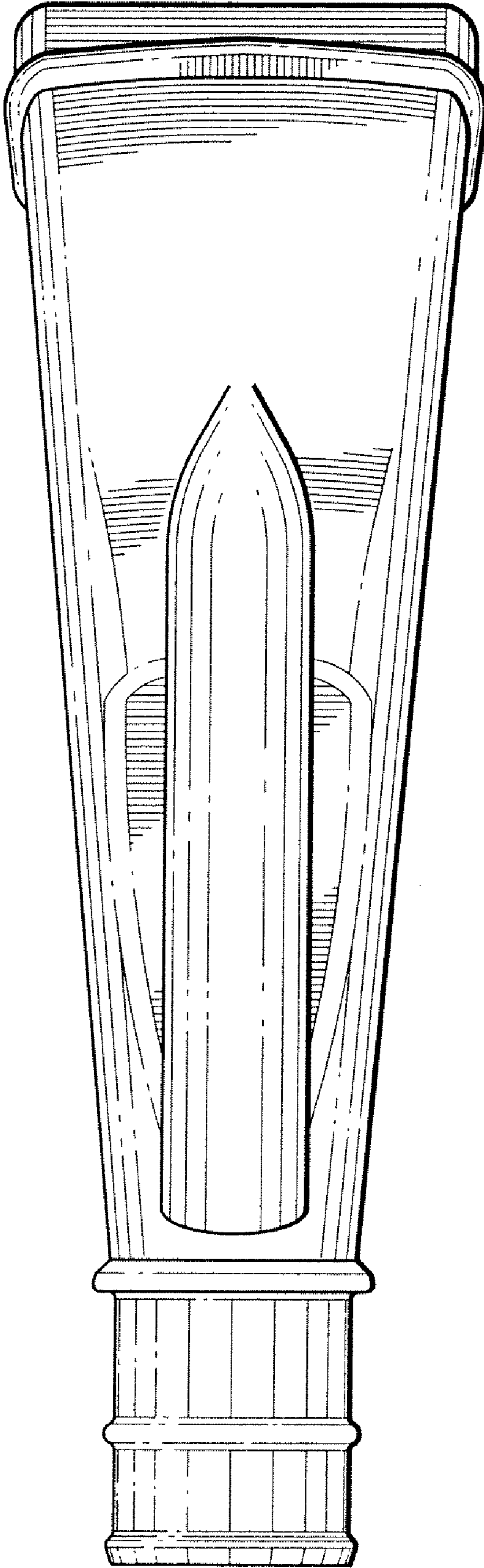


FIG. 2

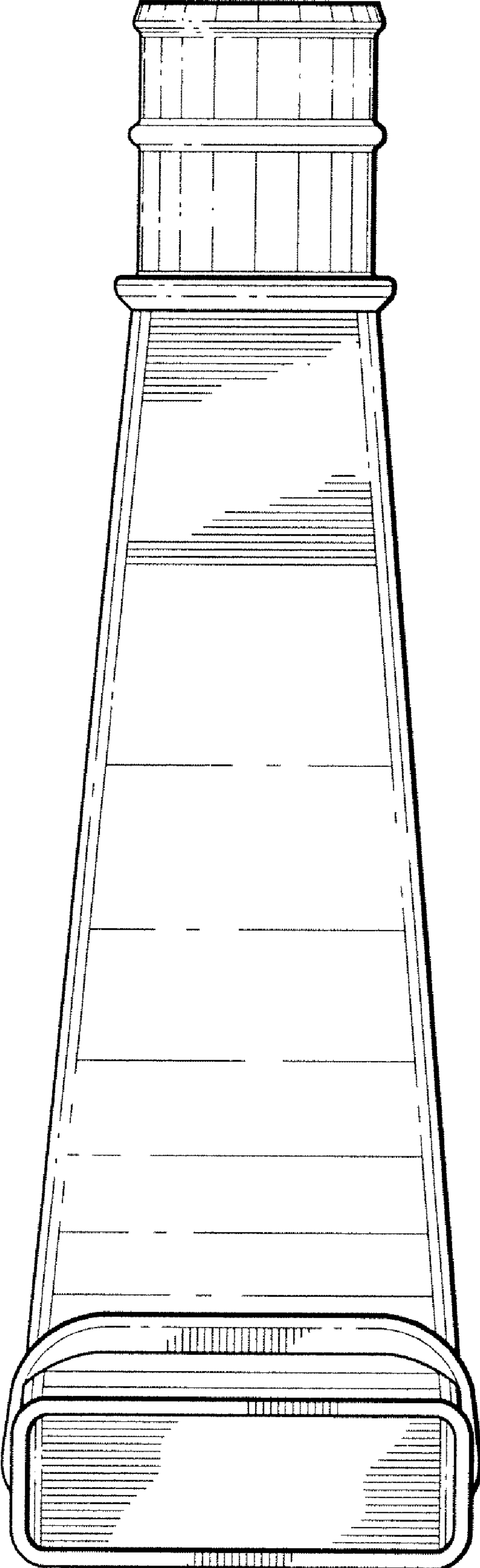


FIG. 3

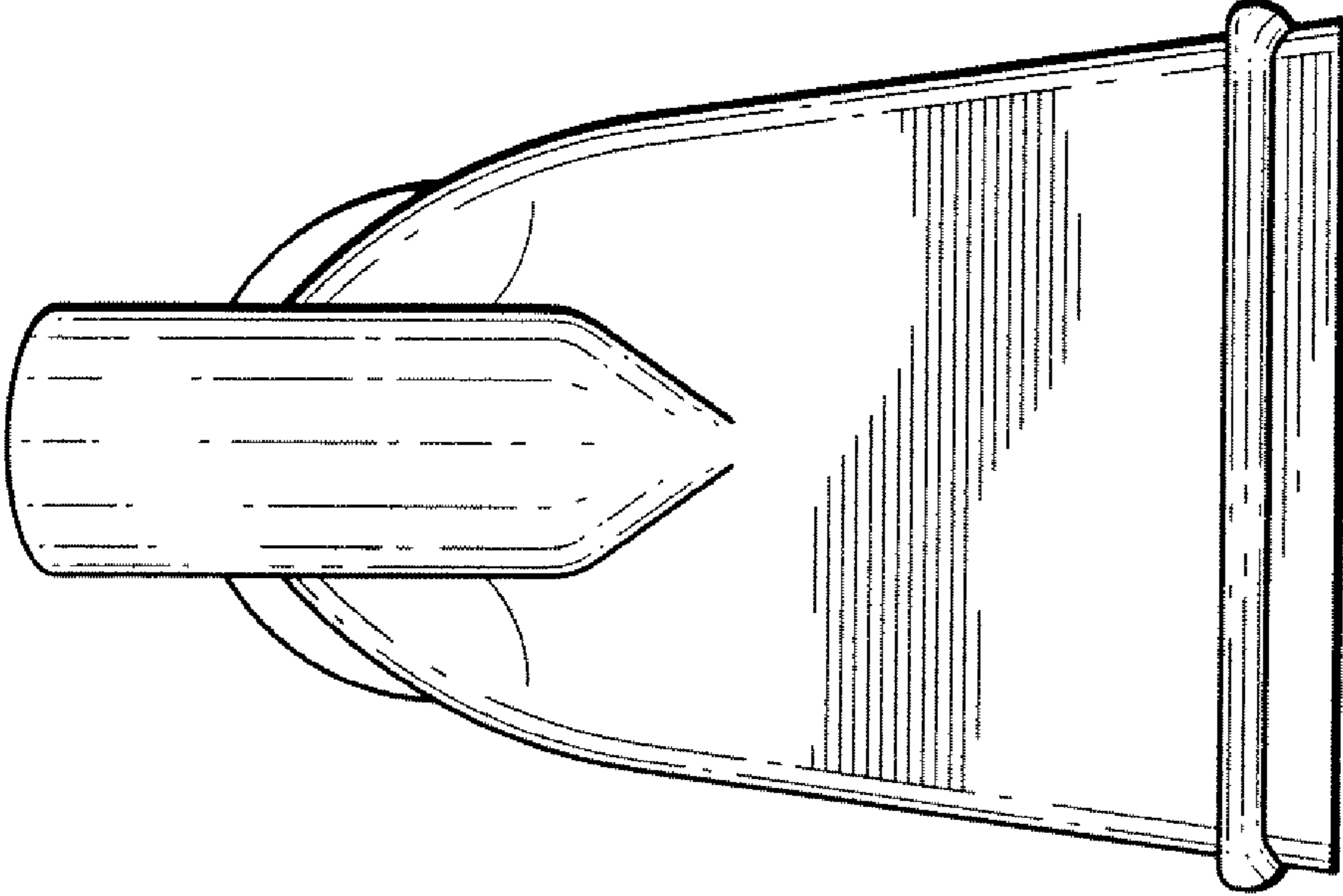


FIG.4

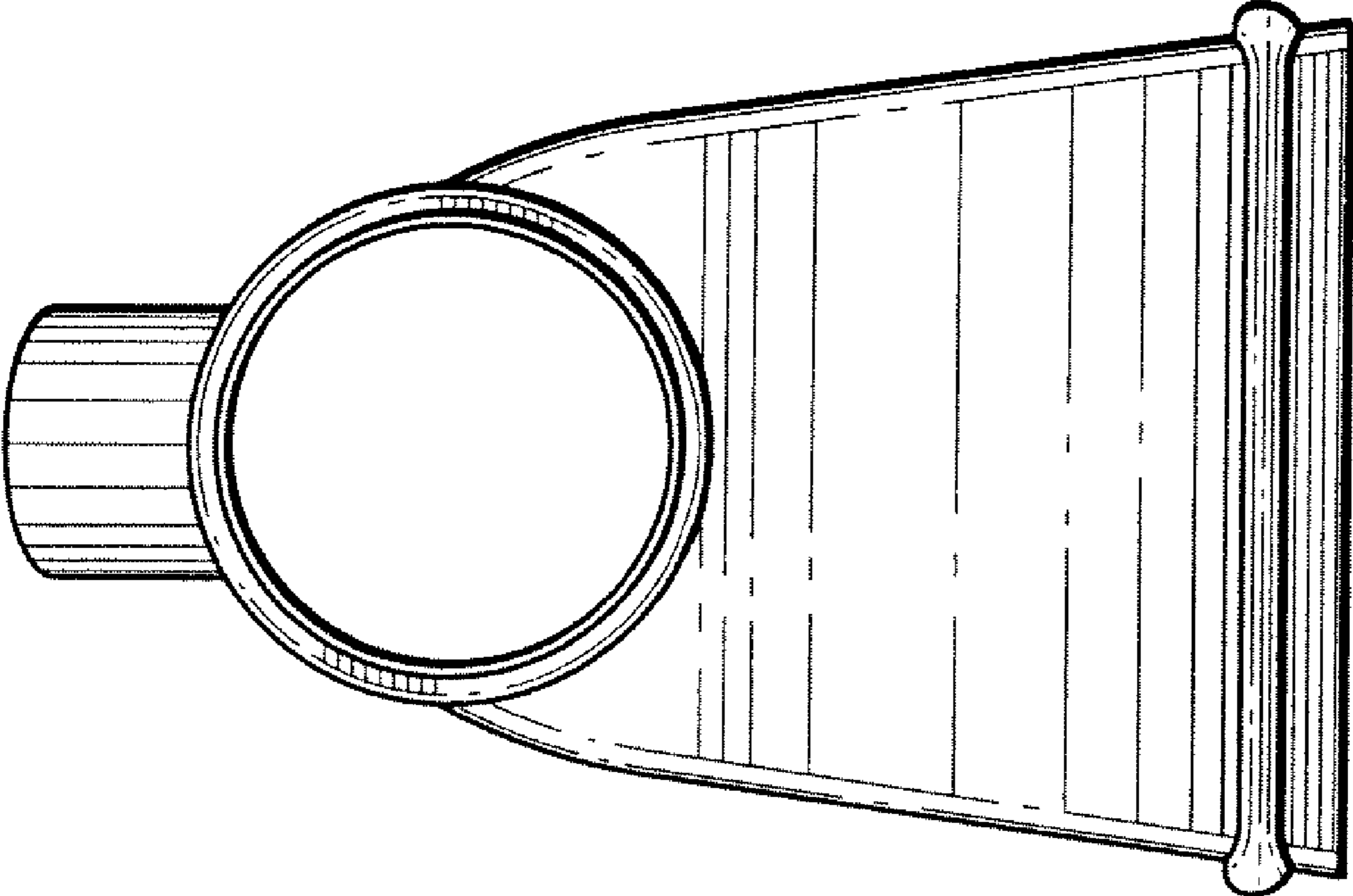


FIG. 5