



US00D621108S

(12) **United States Design Patent**
Santiago

(10) **Patent No.:** **US D621,108 S**

(45) **Date of Patent:** **** Aug. 3, 2010**

(54) **VACUUM CLEANER ACCESSORY TOOL**

(75) Inventor: **Jose Carlito Santiago**, Grand Rapids, MI (US)

(73) Assignee: **BISSELL Homecare, Inc.**, Grand Rapids, MI (US)

(**) Term: **14 Years**

(21) Appl. No.: **29/334,028**

(22) Filed: **Mar. 19, 2009**

(51) **LOC (9) Cl.** **15-05**

(52) **U.S. Cl.** **D32/32**

(58) **Field of Classification Search** D32/31-34;
15/414-422.1, 236.04, 144.4, 144.3, 406,
15/104.05, 383, 377, 412, 400-402, 387,
15/322, 344

See application file for complete search history.

(56) **References Cited**

U.S. PATENT DOCUMENTS

D333,539	S	*	2/1993	Kramer et al.	D32/32
5,564,161	A	*	10/1996	Glatz	15/415.1
D427,737	S	*	7/2000	Dyson et al.	D32/32
D449,724	S	*	10/2001	Nighy et al.	D32/32
D456,967	S	*	5/2002	Santiago	D32/32
D457,696	S	*	5/2002	Worwag	D32/32
D468,499	S	*	1/2003	Kitts	D32/32
D487,828	S	*	3/2004	Iike et al.	D32/32

D507,854	S	*	7/2005	Kim	D32/32
D563,615	S	*	3/2008	Roschi	D32/32
D564,720	S	*	3/2008	Dyson et al.	D32/32
D565,265	S	*	3/2008	Quance et al.	D32/32
D580,611	S	*	11/2008	Roschi	D32/33
D600,869	S	*	9/2009	Dyson et al.	D32/32
2007/0089263	A1	*	4/2007	Song et al.	15/415.1
2009/0320235	A1	*	12/2009	Lee	15/415.1
2010/0058554	A1	*	3/2010	Ashbee	15/415.1

* cited by examiner

Primary Examiner—Ruth McInroy

(74) *Attorney, Agent, or Firm*—McGarry Bair PC

(57) **CLAIM**

The ornamental design for a vacuum cleaner accessory tool, as shown and described.

DESCRIPTION

FIG. 1 is a front right side perspective view of a vacuum cleaner accessory tool which embodies our design;

FIG. 2 is a front view thereof;

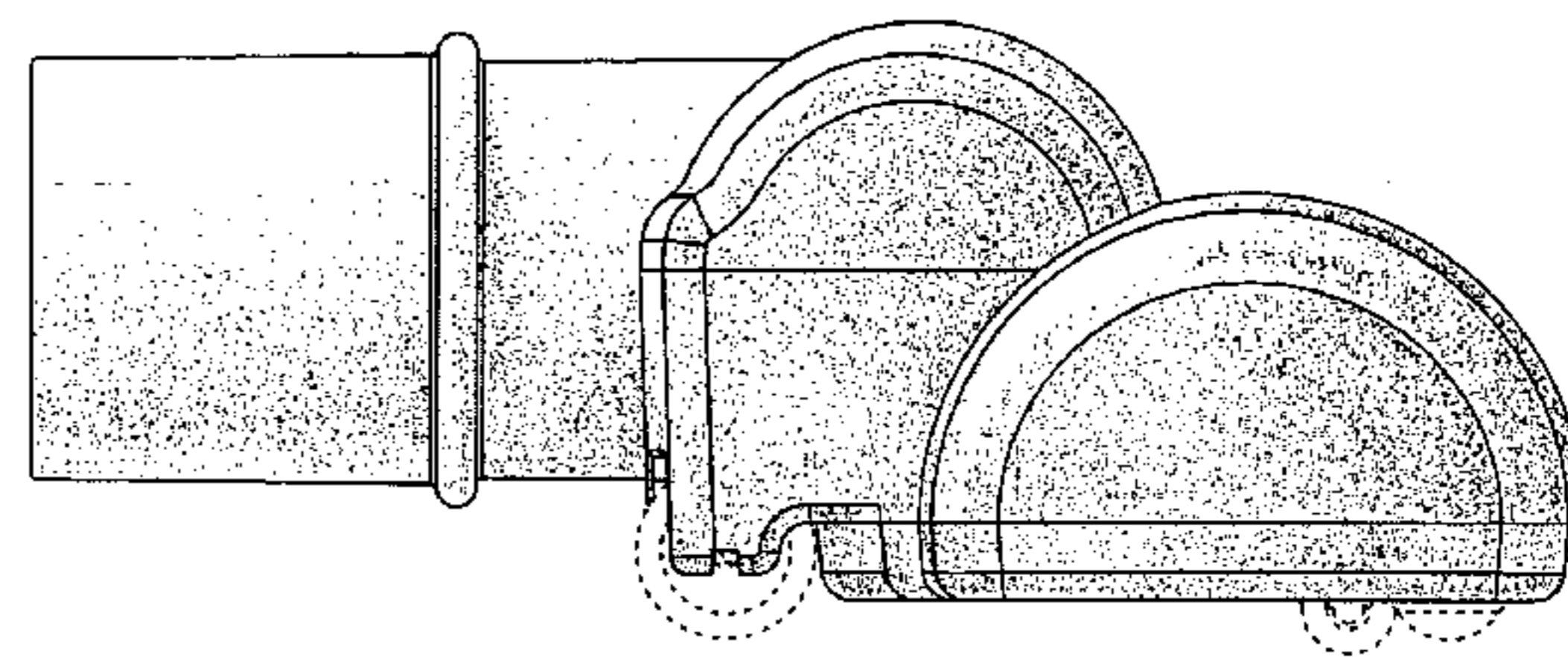
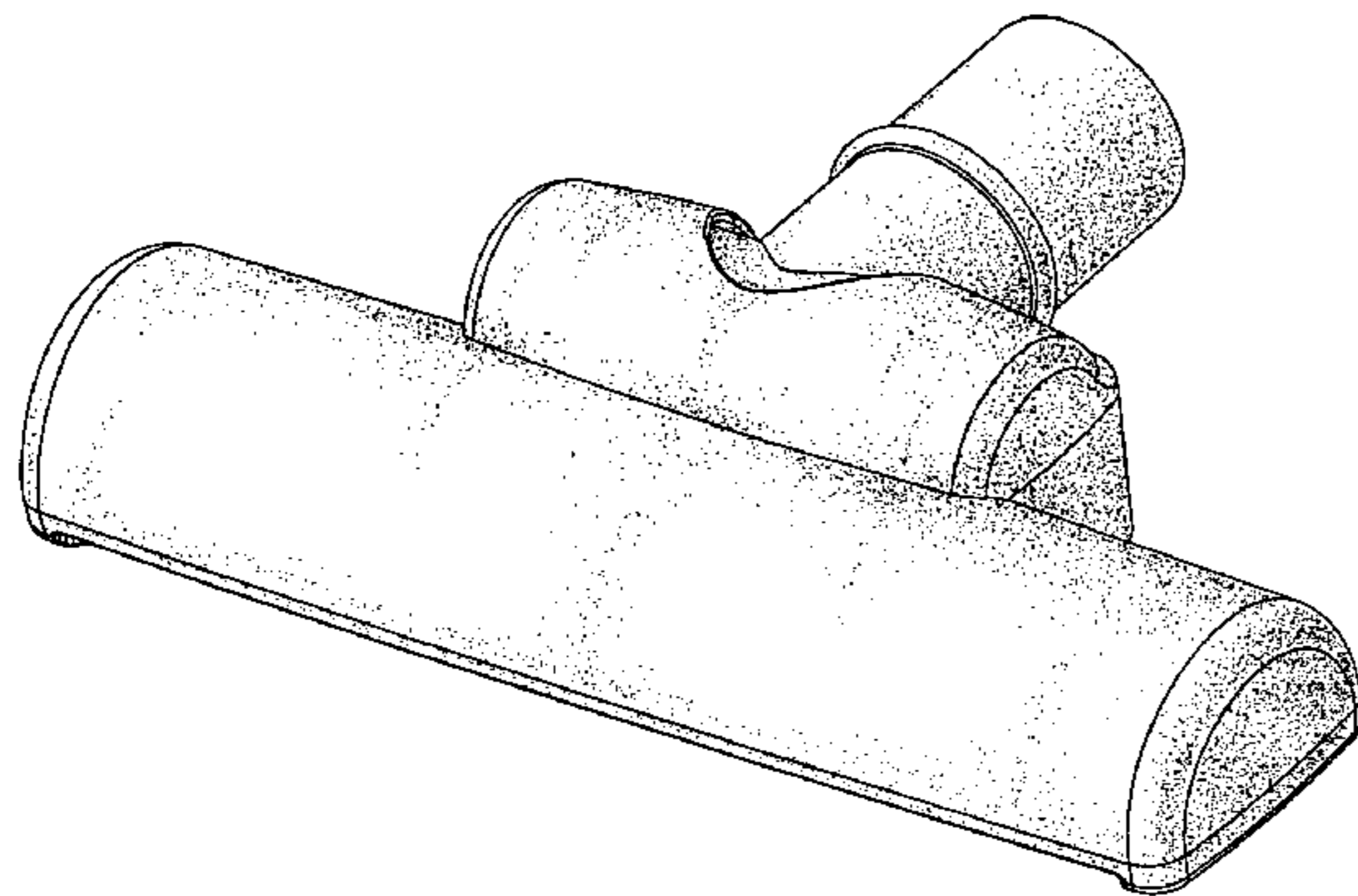
FIG. 3 is a rear view thereof;

FIG. 4 is a left side view thereof; and,

FIG. 5 is a top view thereof.

The details shown in dotted lines form no part of the claimed design.

1 Claim, 2 Drawing Sheets



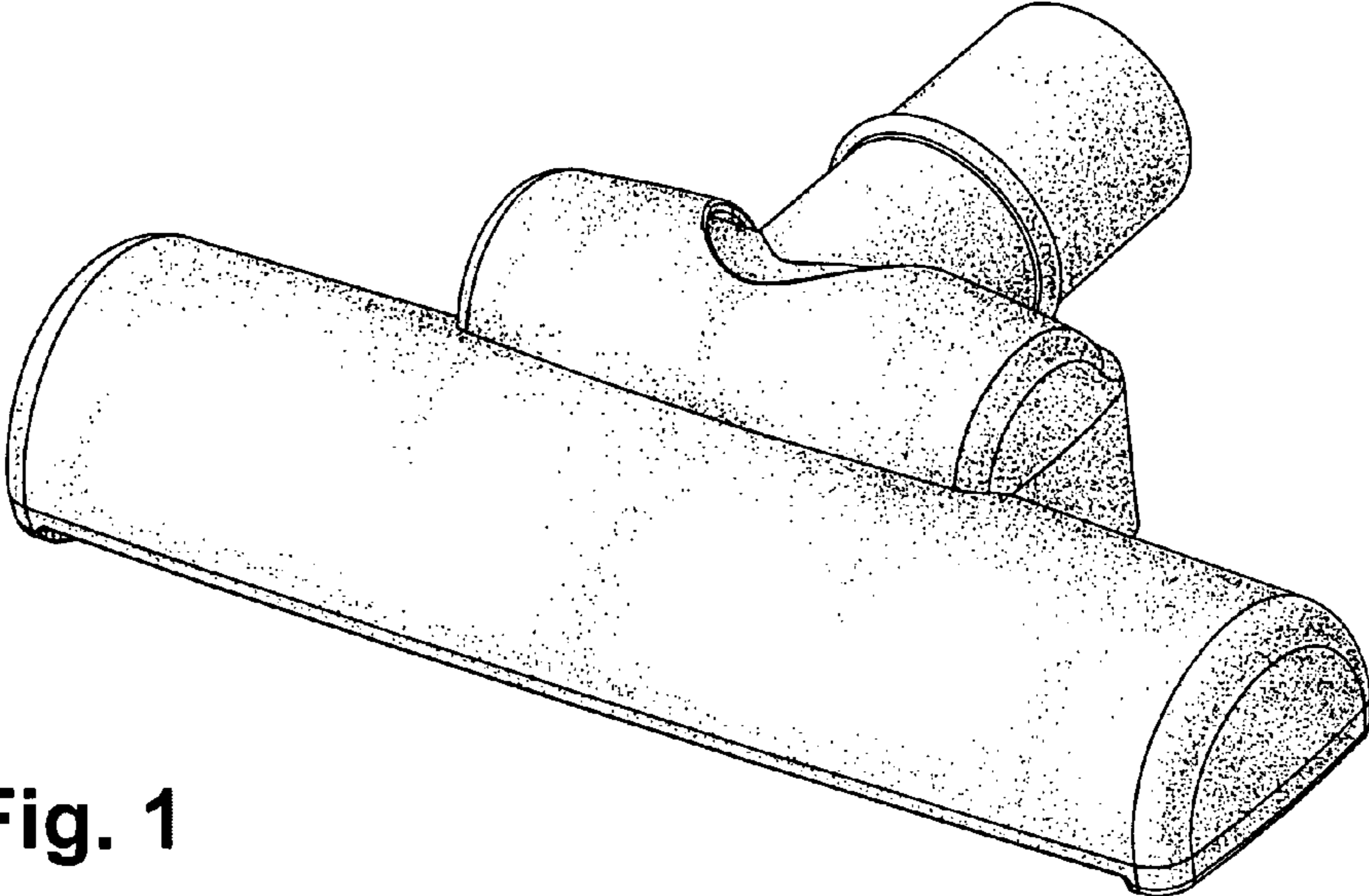


Fig. 1

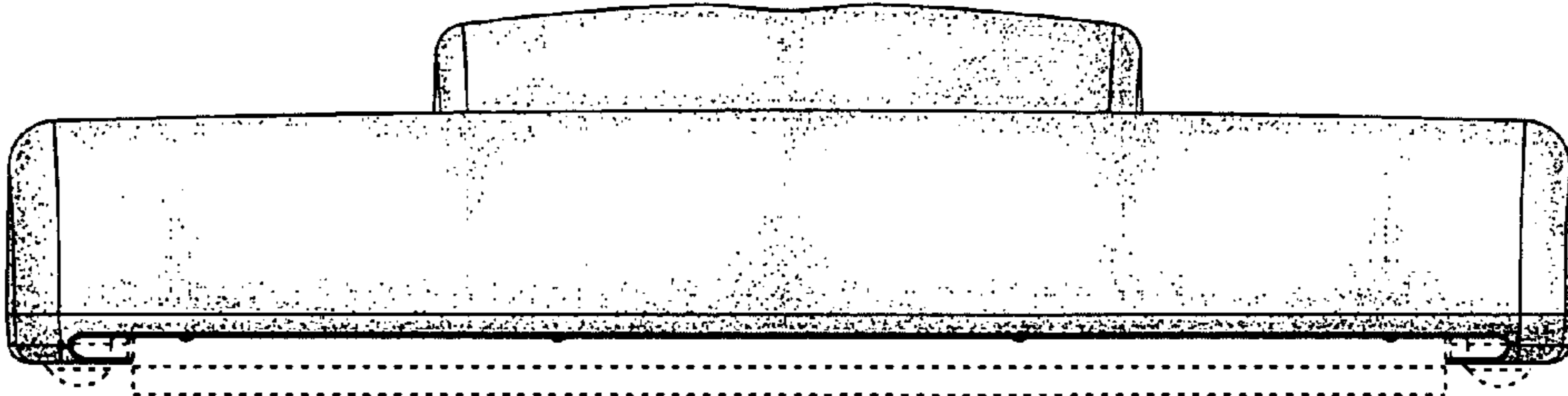


Fig. 2

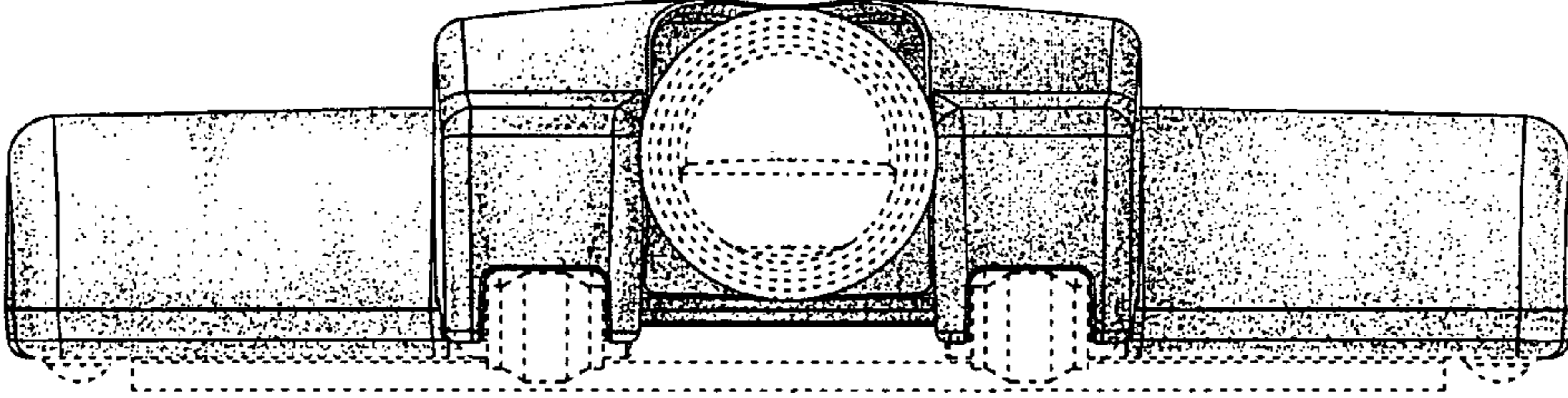


Fig. 3

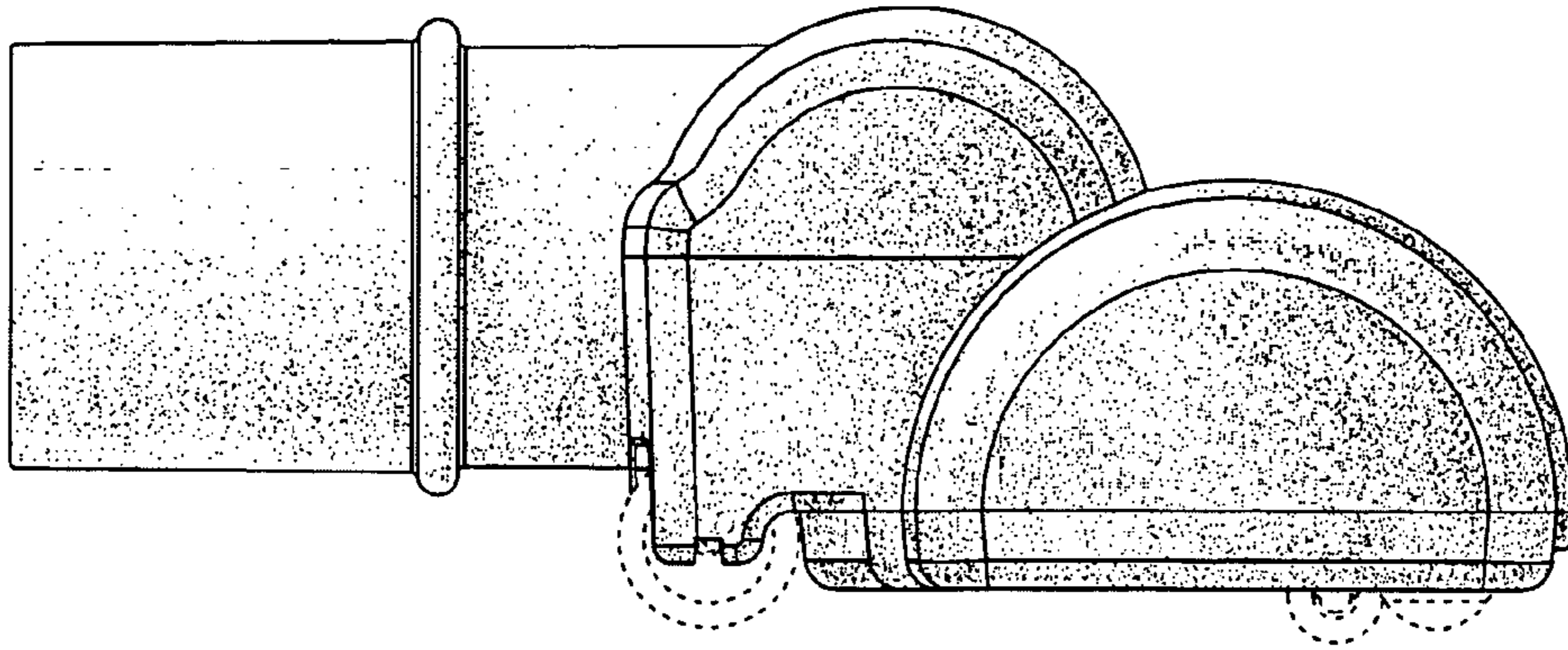


Fig. 4

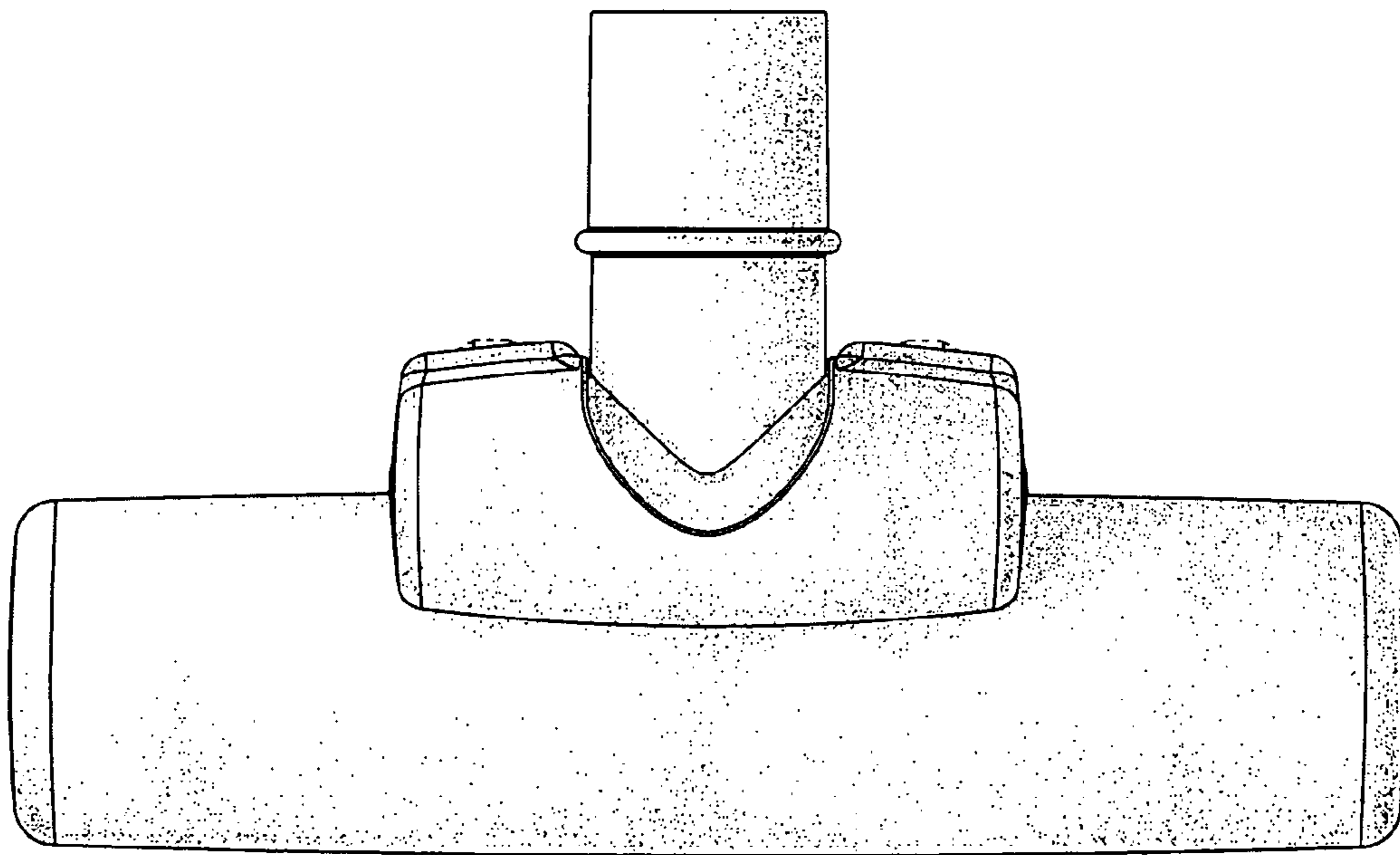


Fig. 5