



US00D621107S

(12) **United States Design Patent**  
**Kim et al.**

(10) **Patent No.:** **US D621,107 S**  
(45) **Date of Patent:** **\*\* Aug. 3, 2010**

(54) **VACUUM CLEANER BODY**

(75) Inventors: **Sang Hun Kim**, Gyeonggi-do (KR);  
**Yong Gyun Ghim**, Seoul (KR); **Jung Kyu Son**, Gyeonggi-do (KR)

(73) Assignee: **LG Electronics Inc.**, Seoul (KR)

(\*\*) Term: **14 Years**

(21) Appl. No.: **29/352,019**

(22) Filed: **Dec. 15, 2009**

(30) **Foreign Application Priority Data**

Jun. 16, 2009 (KR) ..... 30-2009-0026620

(51) **LOC (9) Cl.** ..... **15-05**

(52) **U.S. Cl.** ..... **D32/21**

(58) **Field of Classification Search** ..... D32/17,  
D32/18, 21-24, 31; 15/327.1, 327.2, 327.4-327.7,  
15/344, 353, 320-321, 412

See application file for complete search history.

(56) **References Cited**

**U.S. PATENT DOCUMENTS**

D448,128 S \* 9/2001 Oh ..... D32/21  
D550,910 S \* 9/2007 Shin ..... D32/21  
D552,310 S \* 10/2007 Shin ..... D32/21  
D553,311 S \* 10/2007 Shin ..... D32/21

D554,308 S \* 10/2007 Shin ..... D32/21  
D555,851 S \* 11/2007 Shin et al. .... D32/21  
D555,852 S \* 11/2007 Shin et al. .... D32/21  
D557,470 S \* 12/2007 Choi et al. .... D32/21  
D565,813 S \* 4/2008 Shin ..... D32/21  
D582,109 S \* 12/2008 Kim et al. .... D32/21  
2003/0208875 A1 \* 11/2003 Ito et al. .... 15/327.2

\* cited by examiner

*Primary Examiner*—Ruth McInroy

(74) *Attorney, Agent, or Firm*—Birch, Stewart, Kolasch & Birch, LLP

(57) **CLAIM**

We claim the ornamental design for a vacuum cleaner body, as shown and described.

**DESCRIPTION**

FIG. 1 is a perspective view of a vacuum cleaner body showing our new design:

FIG. 2 is a front elevation view thereof;

FIG. 3 is a rear elevation view thereof;

FIG. 4 is a left-side elevation view thereof;

FIG. 5 is a right-side elevation view thereof;

FIG. 6 is a top plan view thereof; and,

FIG. 7 is a bottom plan view thereof.

**1 Claim, 7 Drawing Sheets**

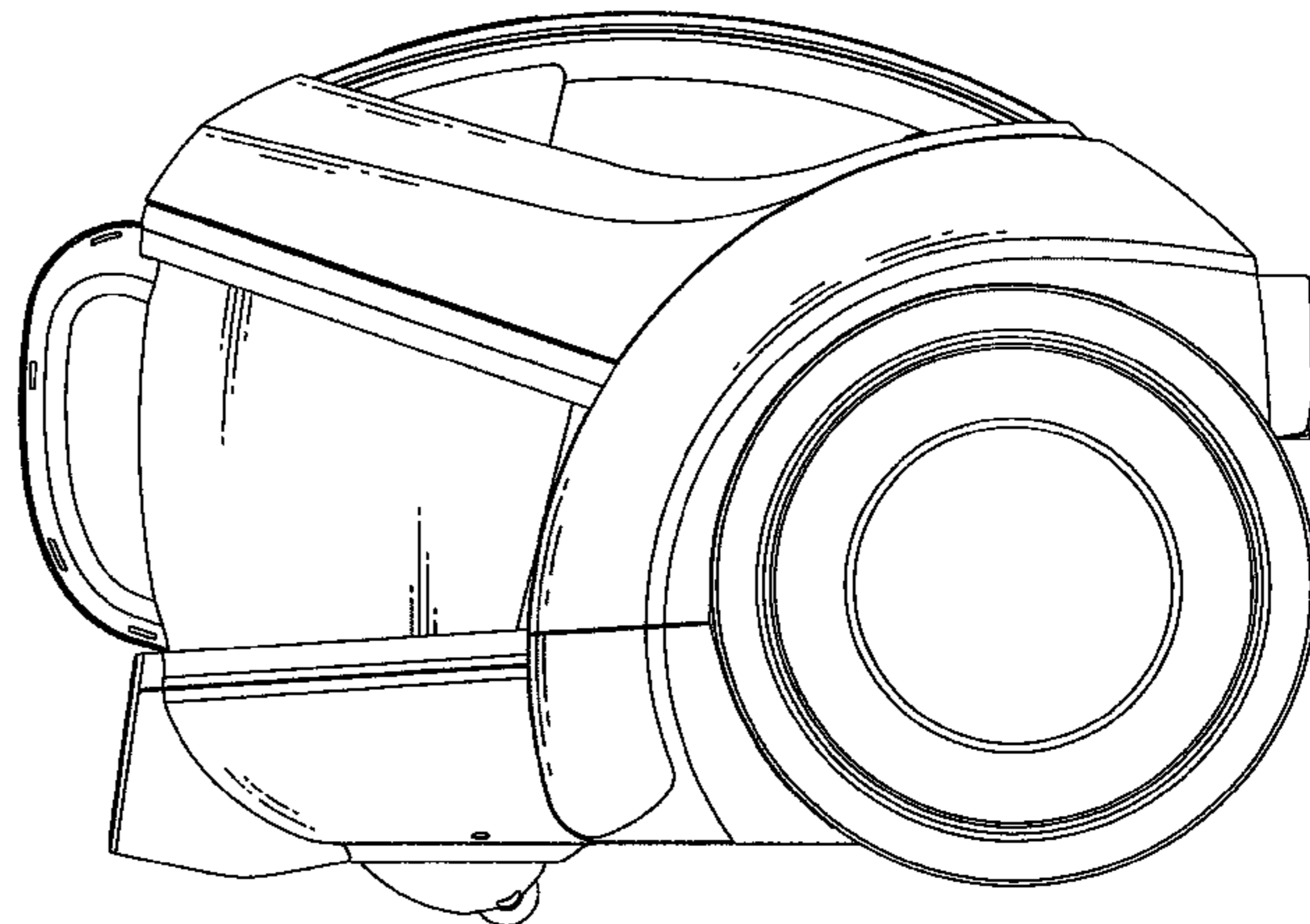
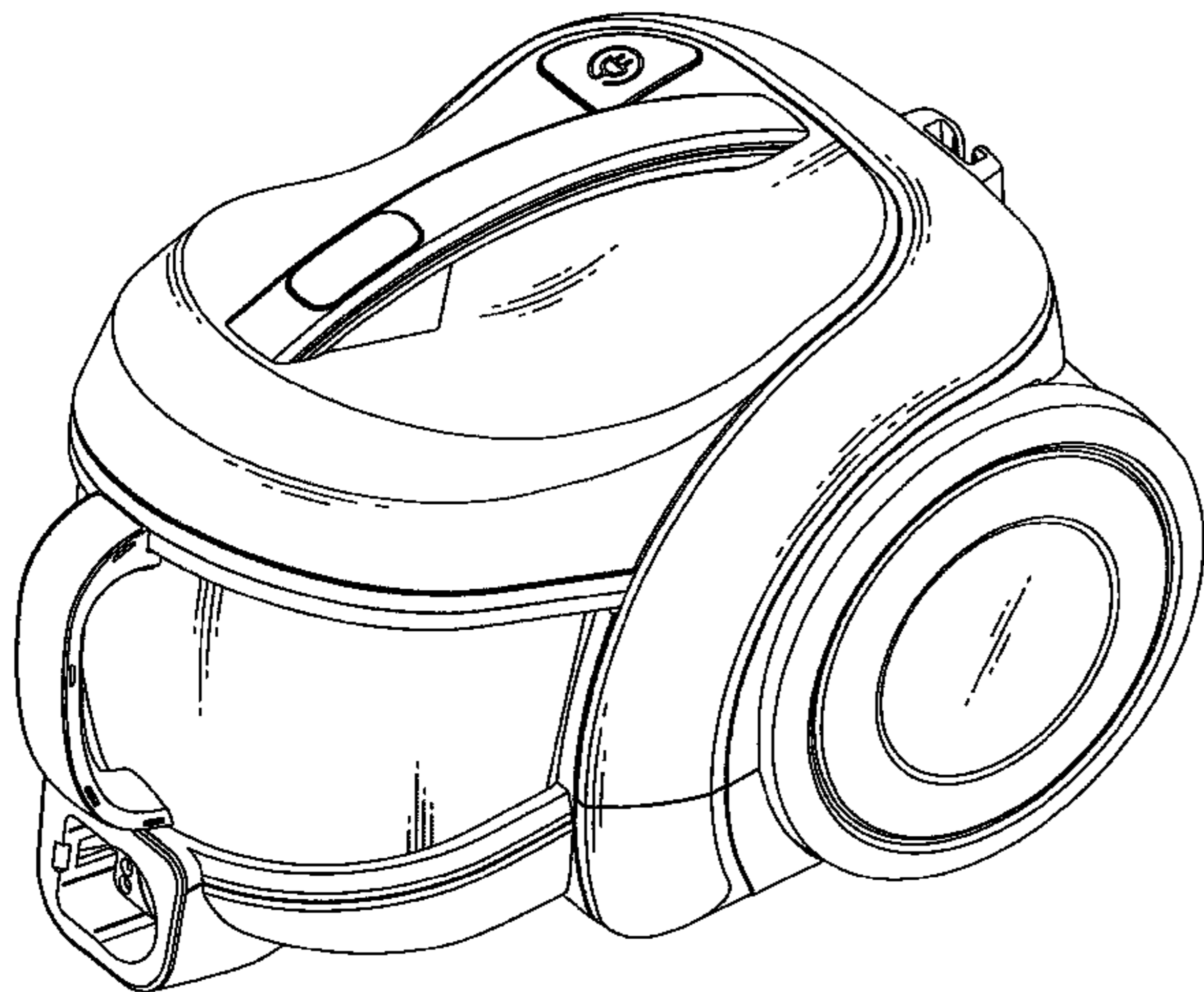


FIG. 1

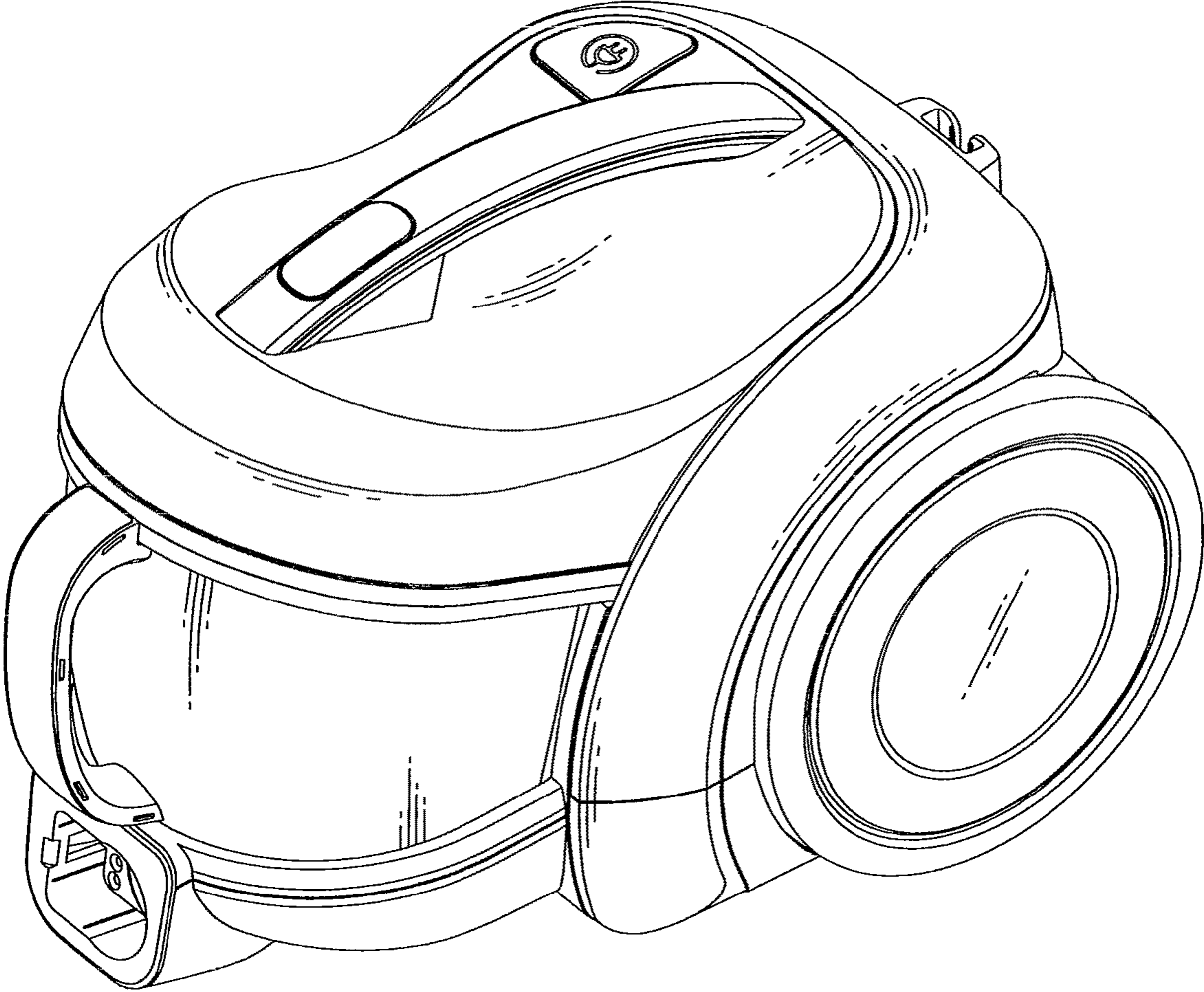


FIG. 2

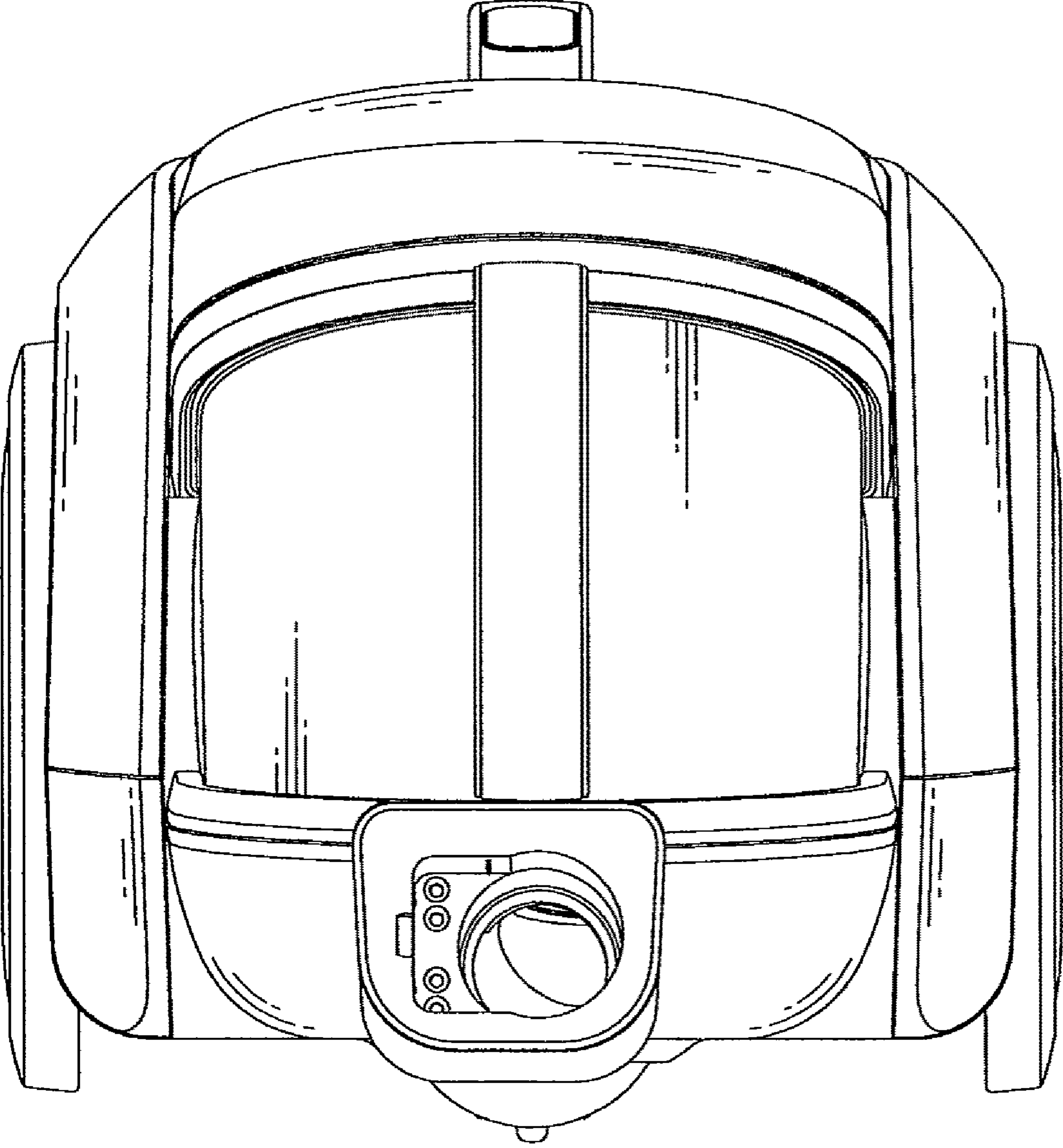


FIG. 3

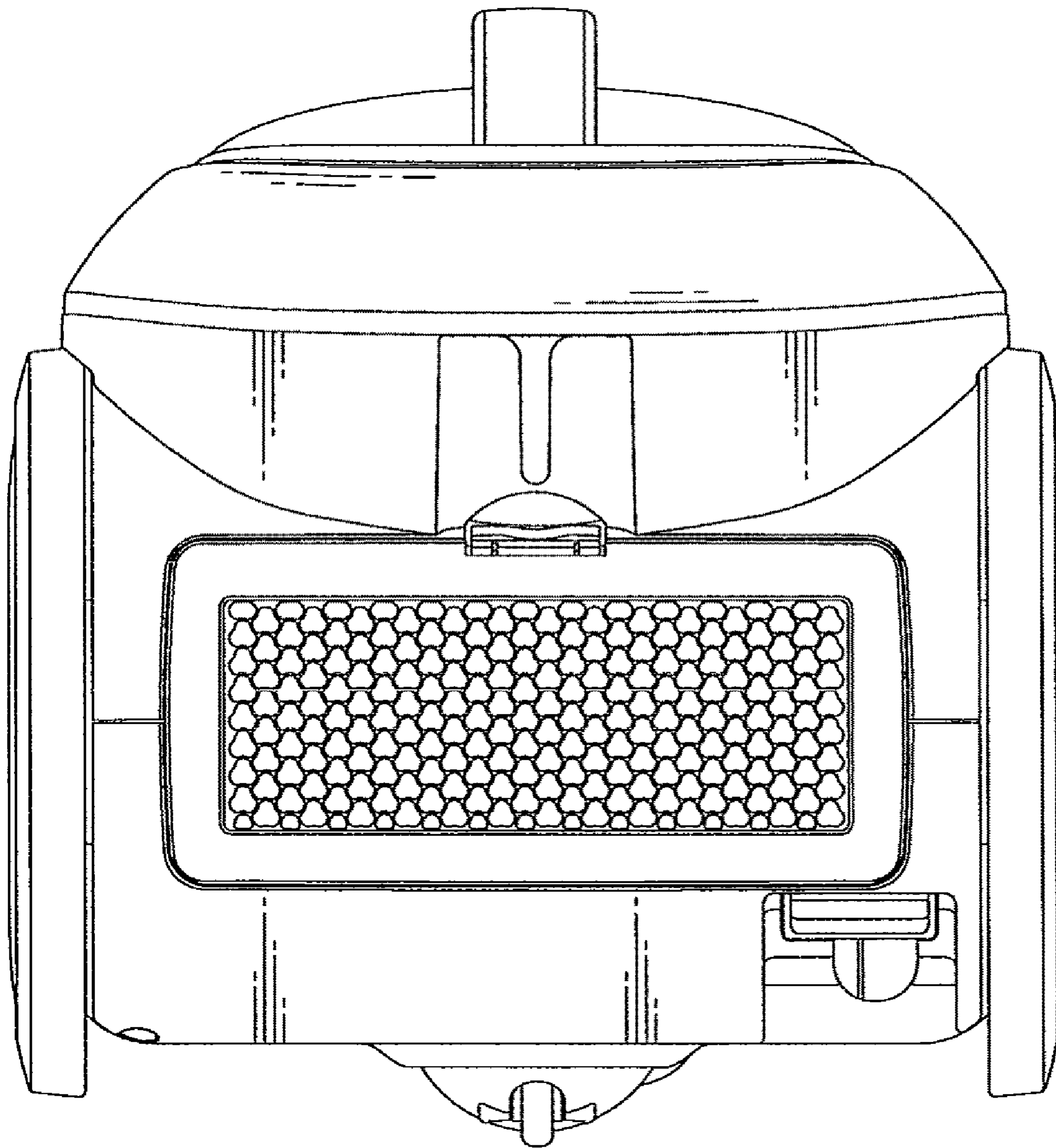


FIG. 4

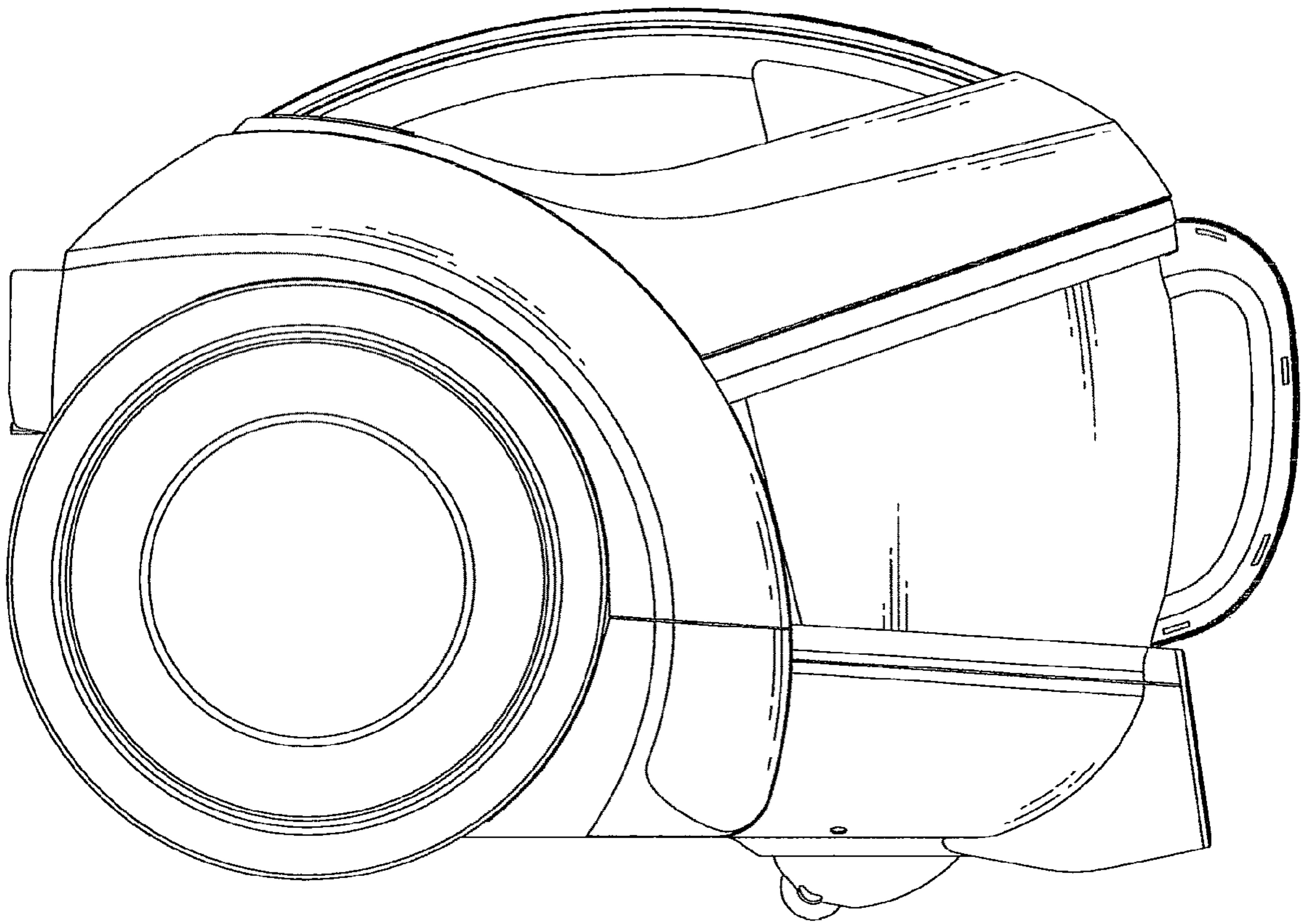


FIG. 5

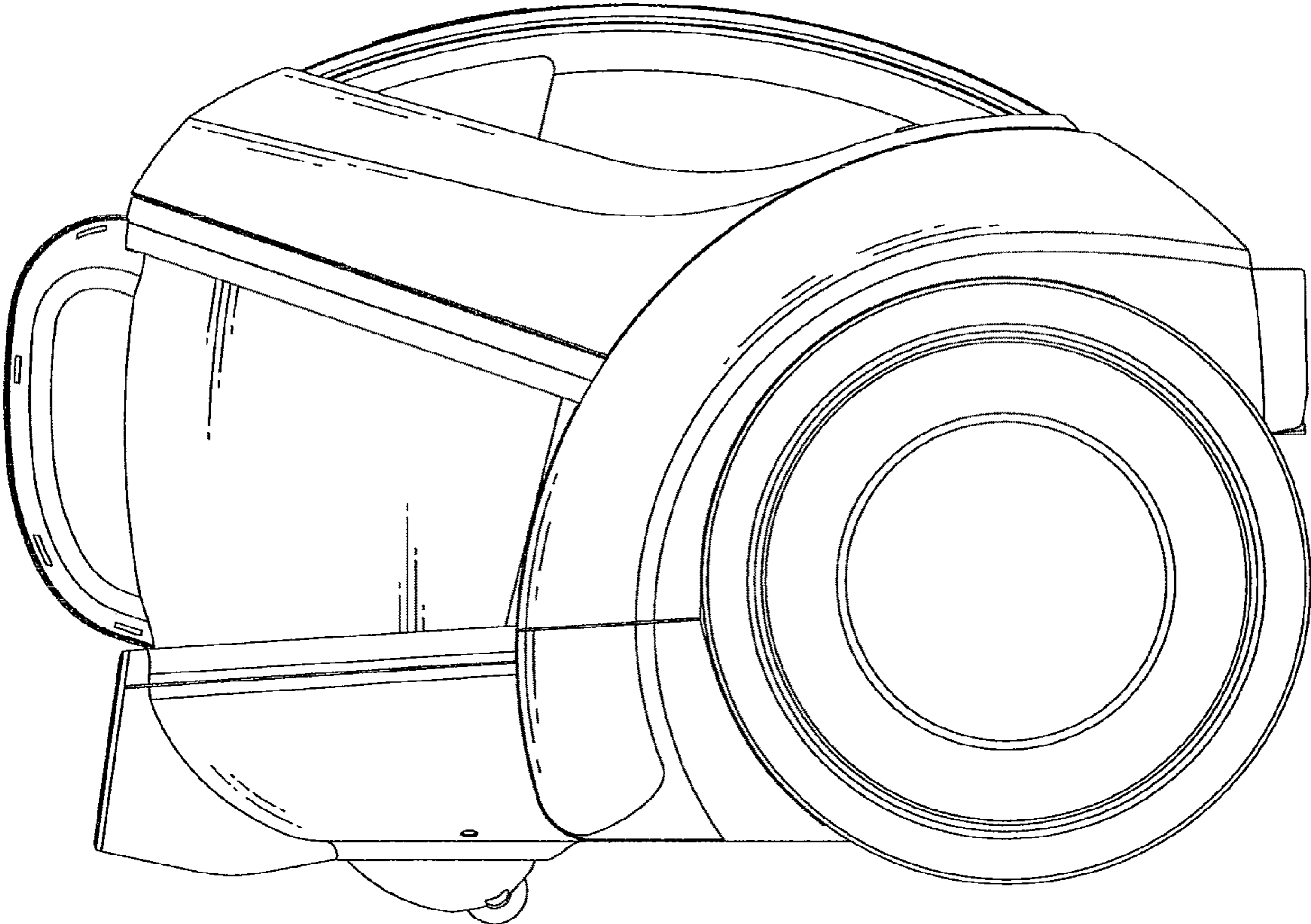


FIG. 6

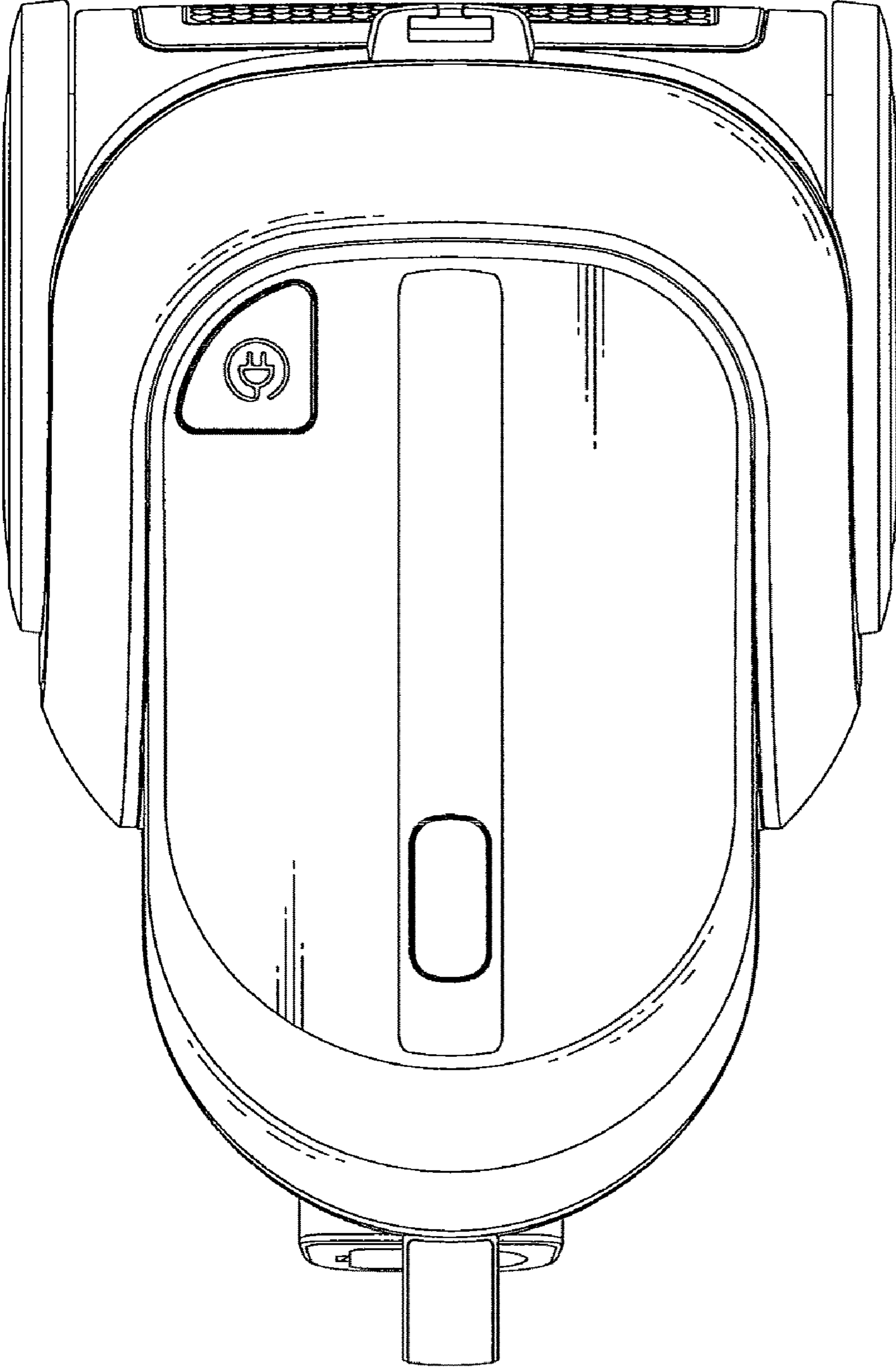


FIG. 7

