



US00D621105S

(12) **United States Design Patent**
Askinasi

(10) **Patent No.:** **US D621,105 S**
(45) **Date of Patent:** **** Aug. 3, 2010**

(54) **ANIMAL WASTE PAD DISPENSER AND HOLDER**

D609,412 S * 2/2010 Seager et al. D30/161

* cited by examiner

(75) Inventor: **Barry Askinasi**, Mt. Sinai, NY (US)

Primary Examiner—Mitchell I Siegel

(73) Assignee: **Four Paws Products, Ltd.**, Hauppauge, NY (US)

(74) *Attorney, Agent, or Firm*—Kane Kessler, P.C.; James E. Hanft

(**) Term: **14 Years**

(57) **CLAIM**

(21) Appl. No.: **29/340,035**

The ornamental design for a animal waste pad dispenser and holder, as shown and described.

(22) Filed: **Jul. 13, 2009**

DESCRIPTION

(51) **LOC (9) Cl.** **30-99**

FIG. 1 is a perspective view of the animal waste pad dispenser and holder of the present invention;

(52) **U.S. Cl.** **D30/161**

FIG. 2 is a top view of the animal waste pad dispenser and holder of the present invention;

(58) **Field of Classification Search** D30/118,
D30/161; 119/161–170, 28.5
See application file for complete search history.

FIG. 3 is an end view of the animal waste pad dispenser and holder of the present invention;

(56) **References Cited**

U.S. PATENT DOCUMENTS

1,773,141	A *	8/1930	Hodgson	119/165
4,711,198	A *	12/1987	Mossbarger	119/168
4,819,580	A *	4/1989	Foldes	119/170
4,976,218	A *	12/1990	Cirami	119/168
5,080,046	A *	1/1992	Cassone	119/168
D351,693	S *	10/1994	Sutton	D30/161
5,630,376	A *	5/1997	Ochi et al.	119/169
5,797,347	A *	8/1998	Ochi	119/169
D408,599	S *	4/1999	Vice et al.	D30/161
7,128,023	B2 *	10/2006	Otsuji et al.	119/169

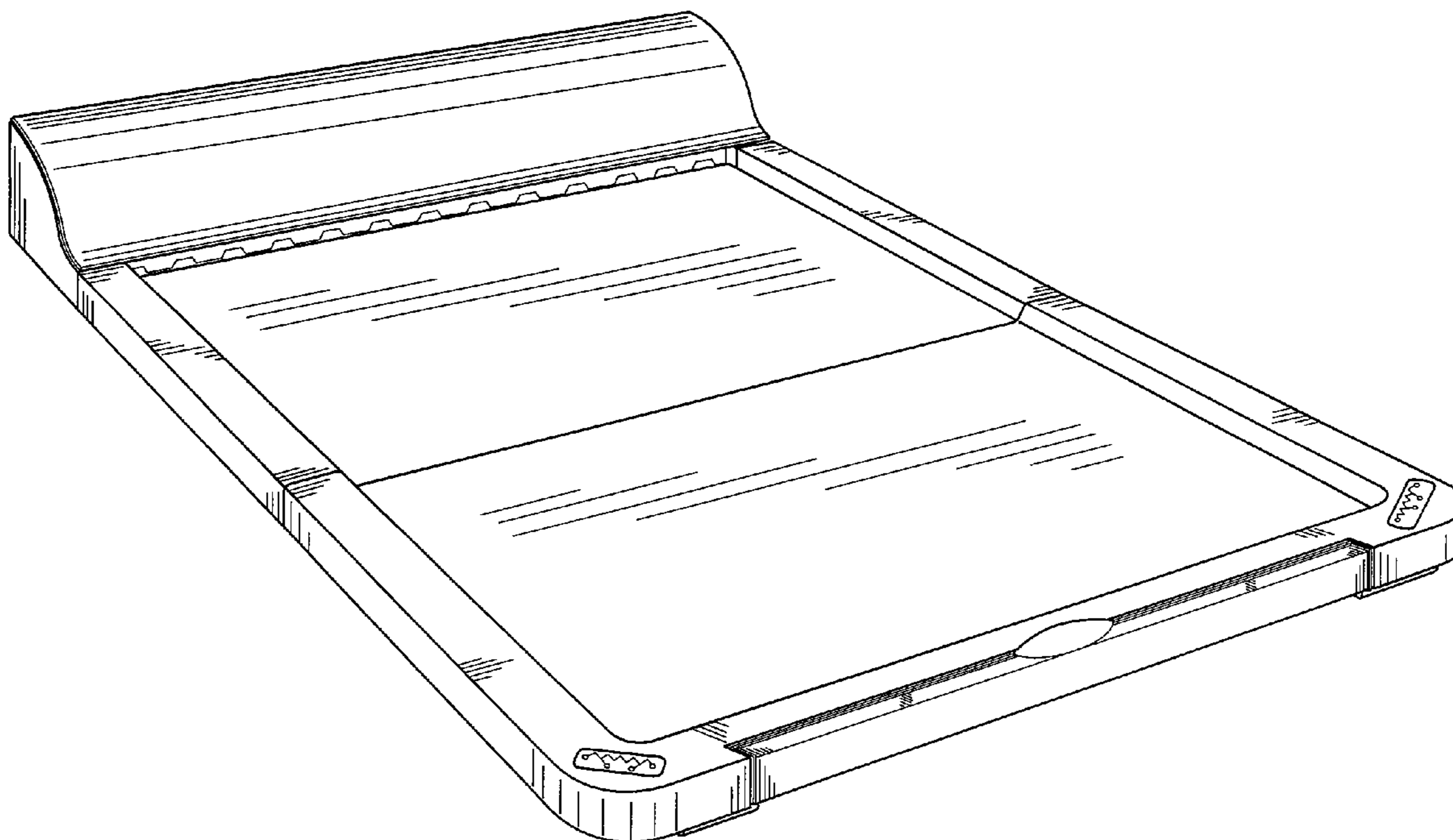
FIG. 4 is an end view of the animal waste pad dispenser and holder of the present invention;

FIG. 5 is a side view of the animal waste pad dispenser and holder of the present invention;

FIG. 6 is a bottom view of the animal waste pad dispenser and holder of the present invention; and,

FIG. 7 is an exploded view of the animal waste pad dispenser and holder of the present invention.

1 Claim, 6 Drawing Sheets



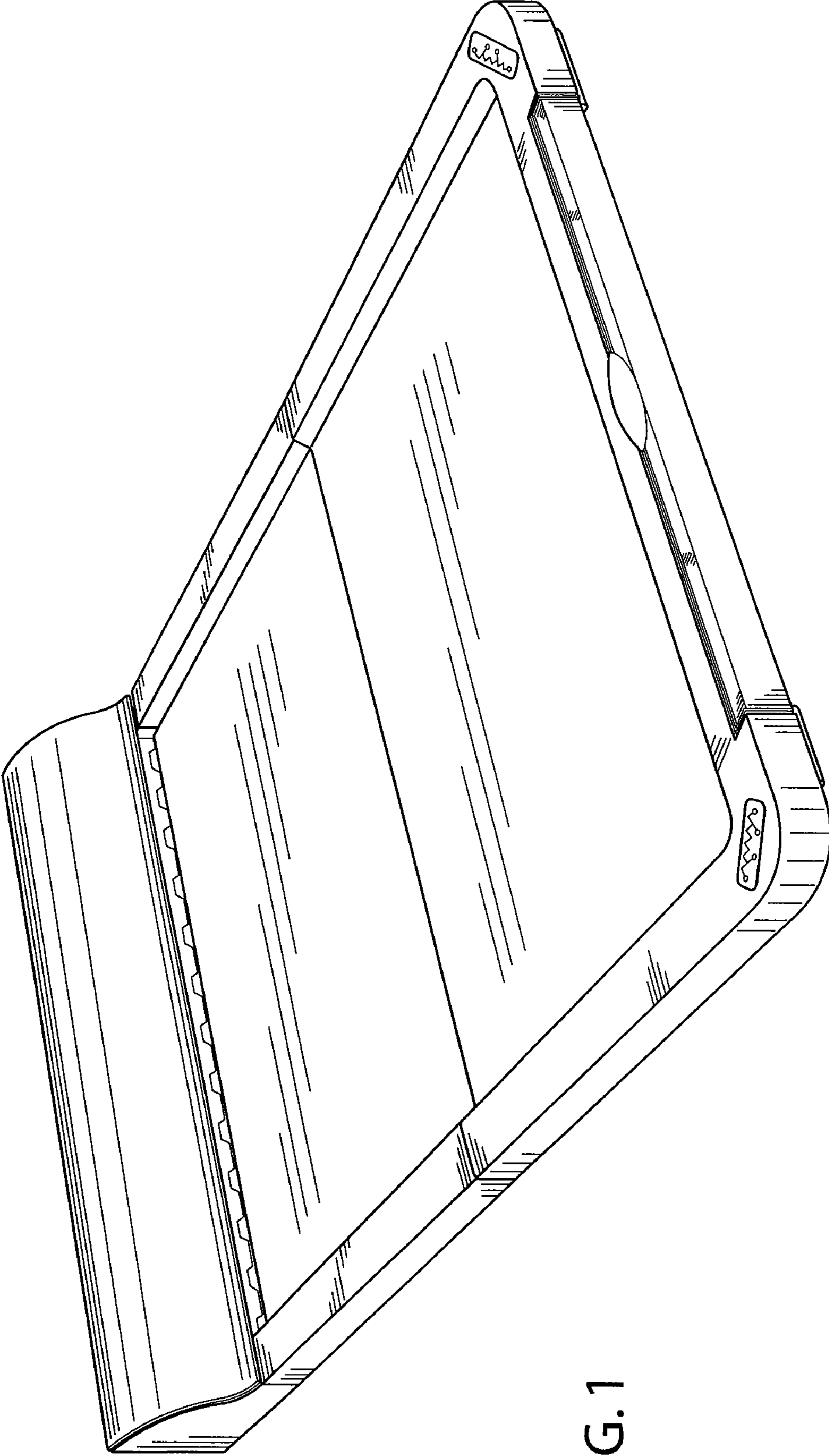
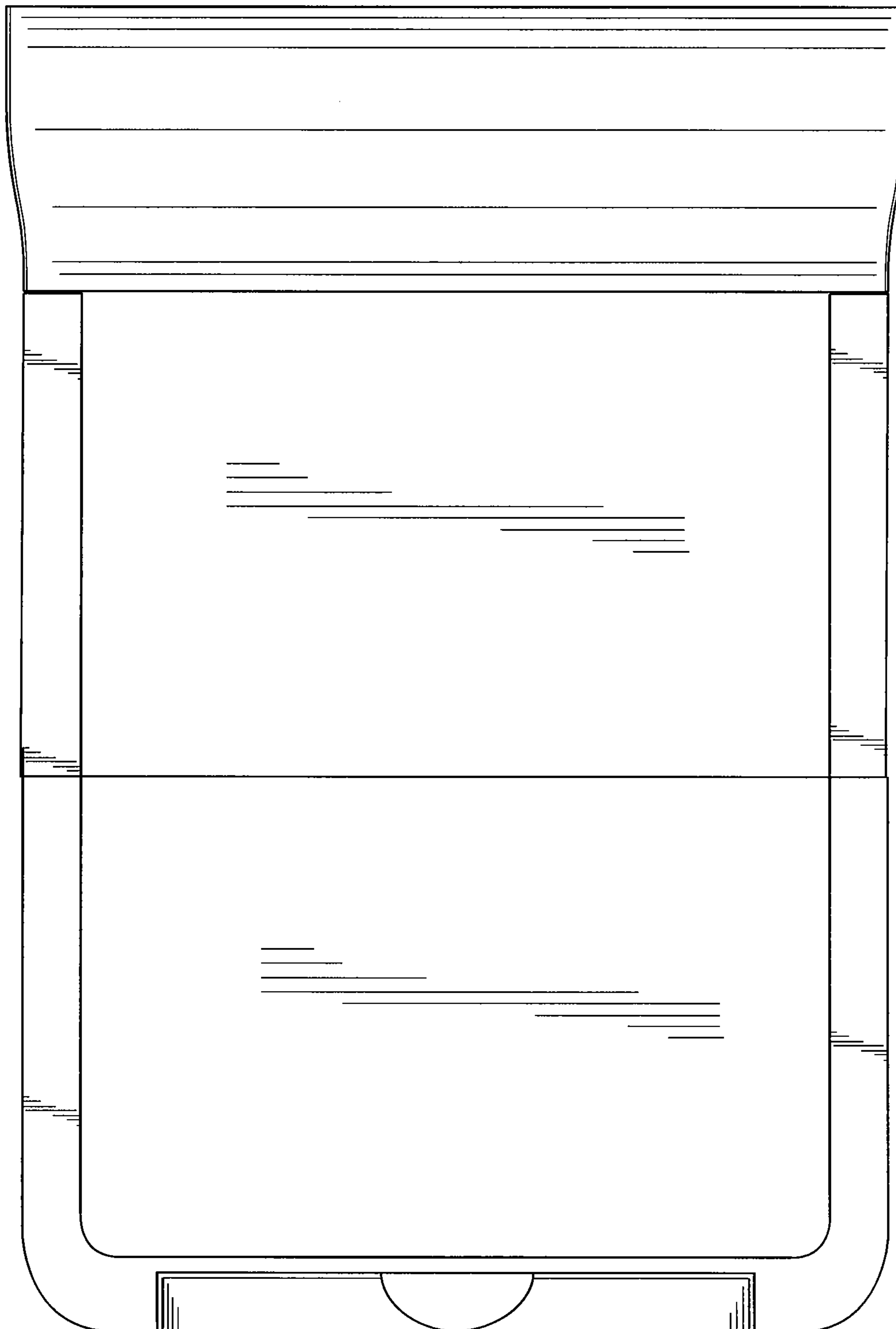


FIG. 1

FIG. 2



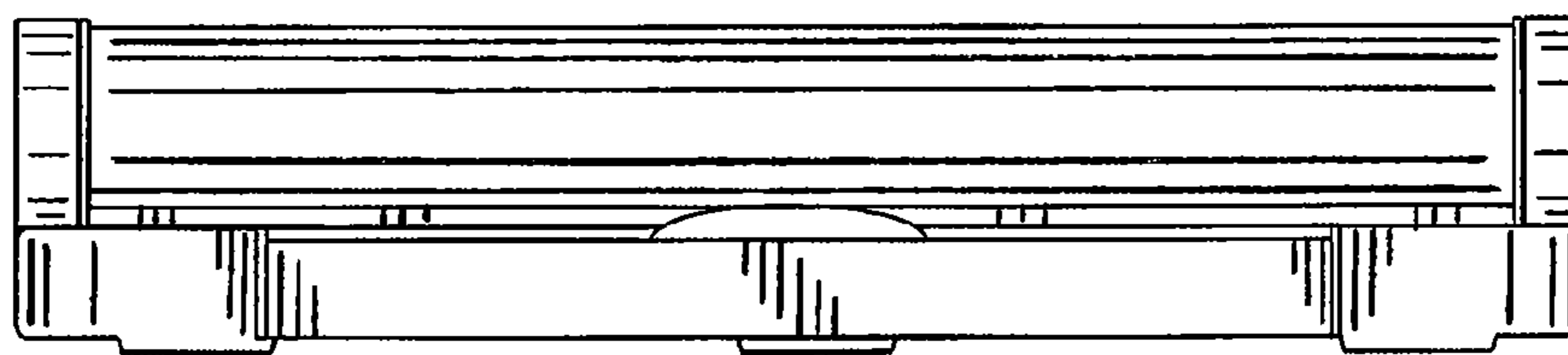


FIG. 3

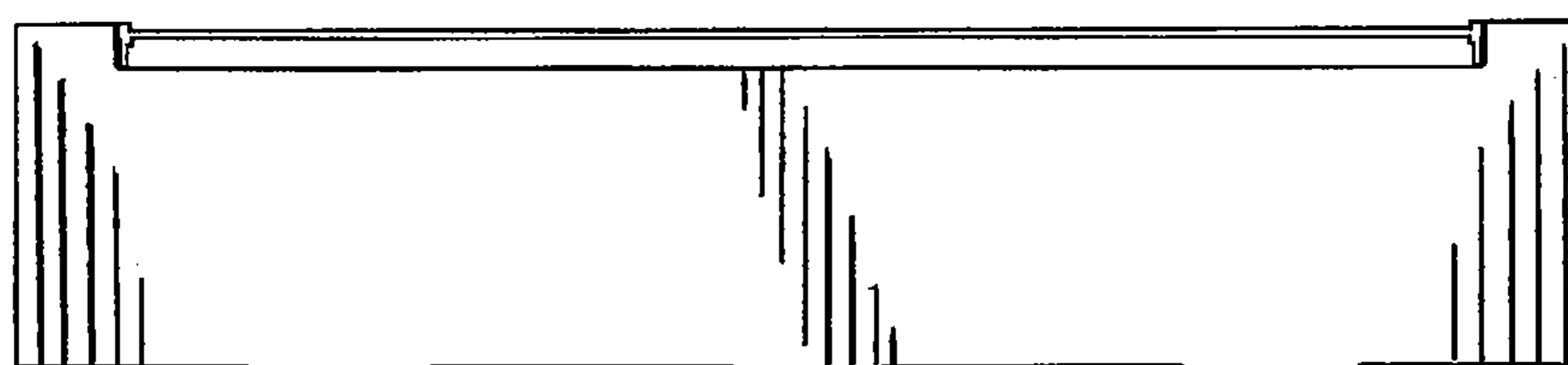


FIG. 4

FIG. 5

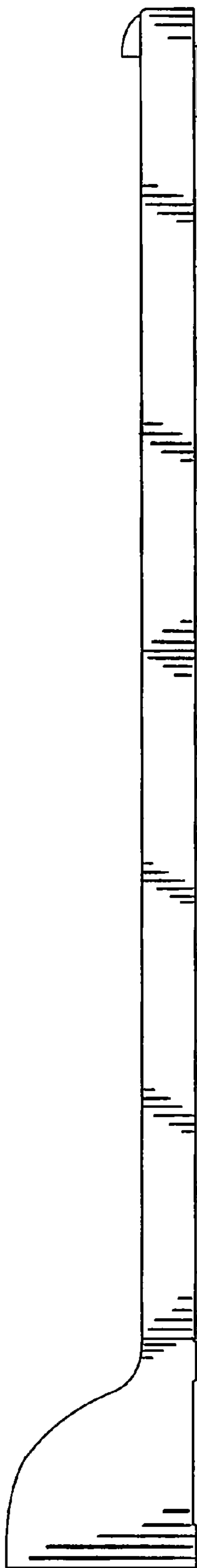
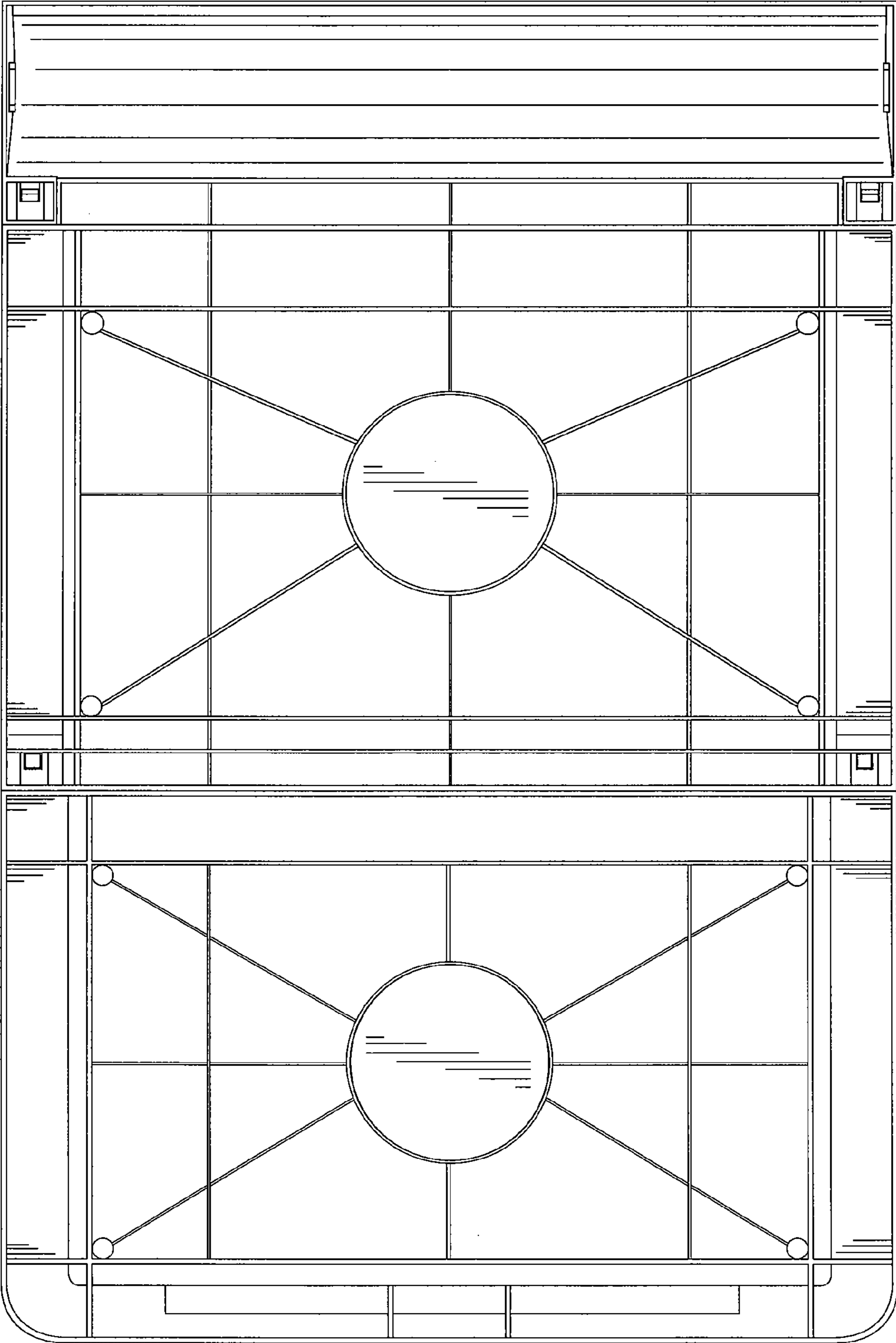


FIG. 6



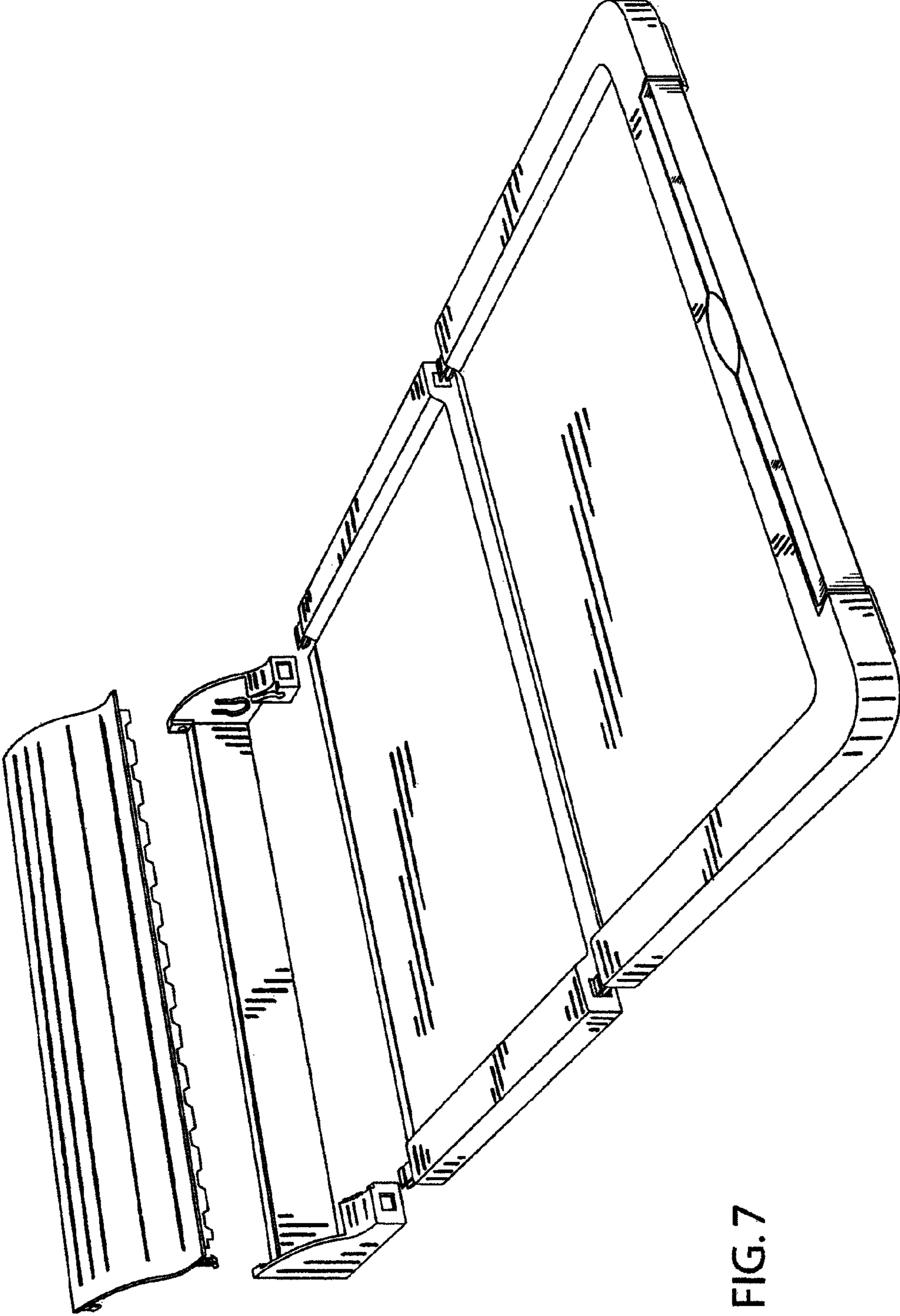


FIG. 7