



US00D621101S

(12) **United States Design Patent**
Hu

(10) **Patent No.:** **US D621,101 S**
(45) **Date of Patent:** **** Aug. 3, 2010**

(54) **PET CARRIER**

D575,461 S * 8/2008 Cannon et al. D30/109

(76) Inventor: **Henry Hu**, Room 401, Building 86,
Hongmei New Village, Tianning District,
Changzhou City, Jiangsu Province,
213003 (CN)

* cited by examiner

Primary Examiner—Mitchell I Siegel
(74) *Attorney, Agent, or Firm*—Kile Goekjian Reed &
McManus P.L.L.

(**) Term: **14 Years**

(57) **CLAIM**

(21) Appl. No.: **29/340,322**

The ornamental design for a pet carrier, substantially as
shown and described.

(22) Filed: **Jul. 16, 2009**

(30) **Foreign Application Priority Data**

DESCRIPTION

Jun. 9, 2009 (CN) 2009 3 0189019

FIG. 1 is a front view of a pet carrier showing my new design;

(51) **LOC (9) Cl.** **30-02**

FIG. 2 is a rear view of a pet carrier depicted in FIG. 1;

(52) **U.S. Cl.** **D30/109**

FIG. 3 is a bottom view of the pet carrier depicted in FIG. 1;

(58) **Field of Classification Search** D30/108,
D30/109, 118–120, 161; 119/28.5, 416,
119/452, 453, 474, 482, 498, 504, 513; D3/207,
D3/273, 274, 276, 289, 301, 315
See application file for complete search history.

FIG. 4 is a top view of the pet carrier shown in FIG. 1;

FIG. 5 is a right side view of the pet carrier shown in FIG. 1;

FIG. 6 is a left side view of the pet carrier shown in FIG. 1;

FIG. 7 is a top perspective view of the pet carrier shown in
FIG. 1;

(56) **References Cited**

FIG. 8 is a top view of the pet carrier with a shoulder strap
attached;

U.S. PATENT DOCUMENTS

FIG. 9 is a front view of the pet carrier shown in FIG. 8;

2,538,778 A * 1/1951 Halpin 119/497

FIG. 10 is a perspective view of the interior of the pet carrier
shown in an unfolded configuration; and,

D387,508 S * 12/1997 Van Engers D30/109

FIG. 11 is a perspective view of the exterior of the pet carrier
shown in an unfolded configuration.

6,883,654 B2 * 4/2005 Godshaw et al. 190/115

6,899,057 B1 * 5/2005 Chrisco et al. 119/498

D524,995 S * 7/2006 Dudas D30/109

1 Claim, 2 Drawing Sheets



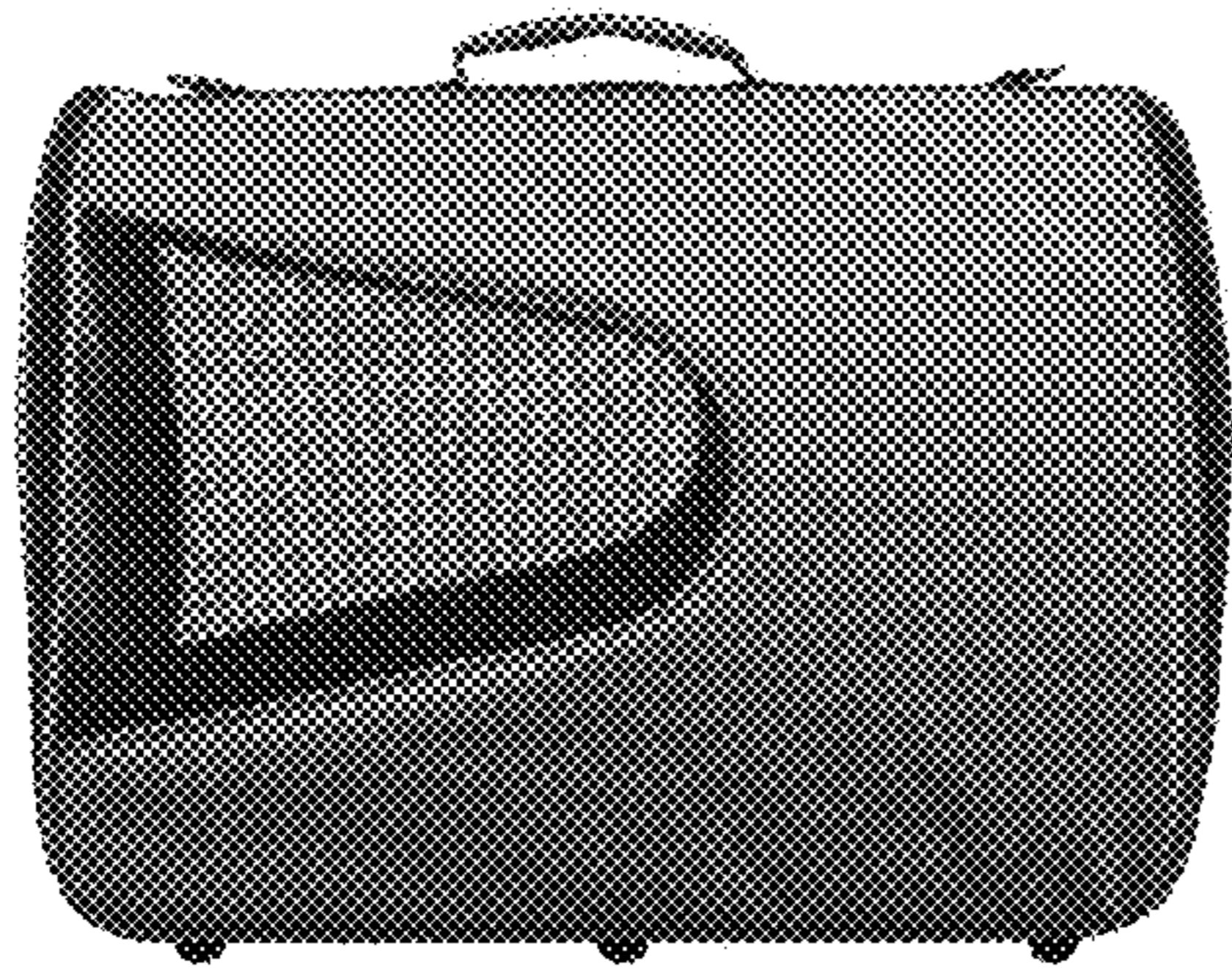


FIG. 1

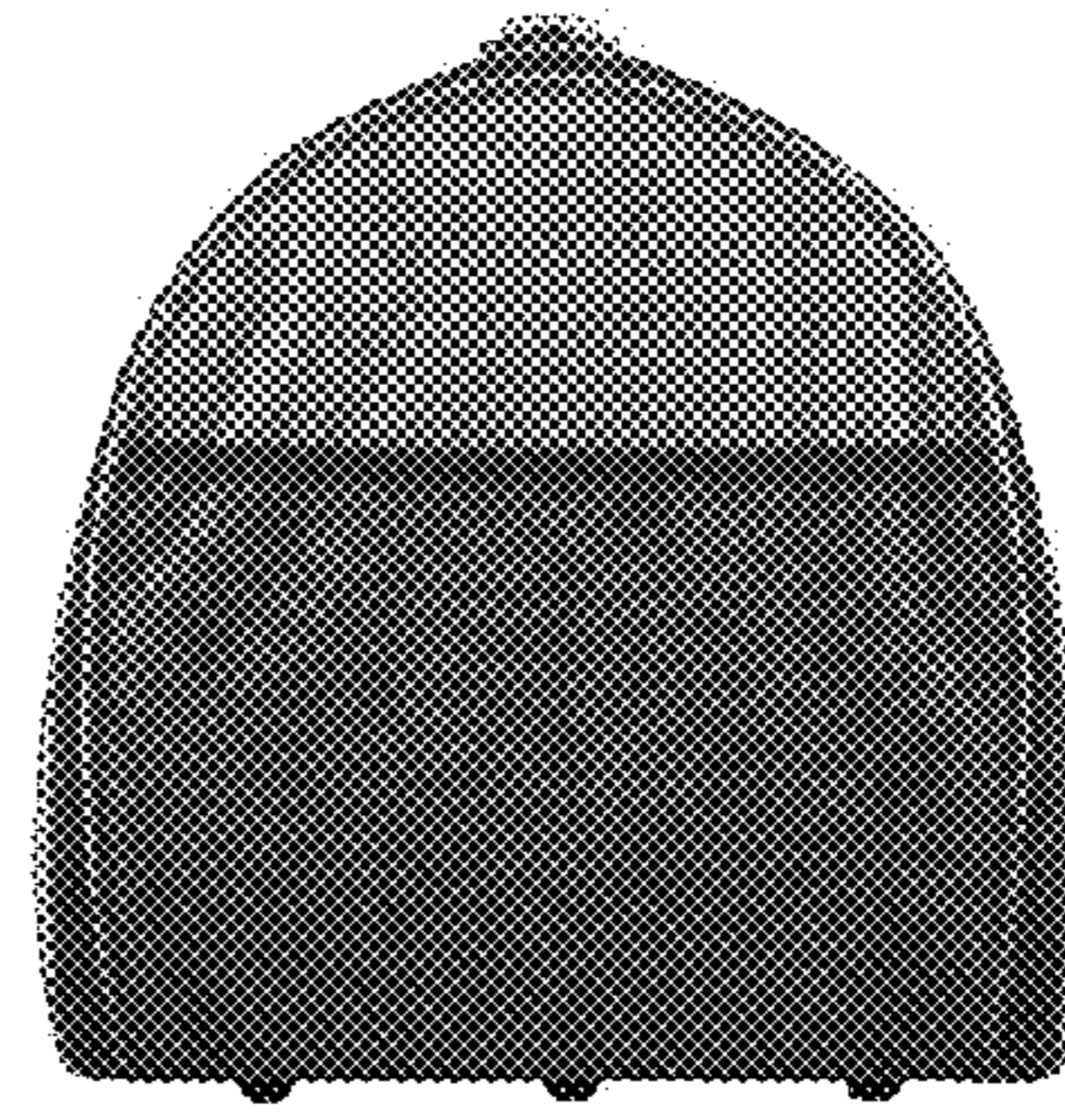


FIG. 5



FIG. 2

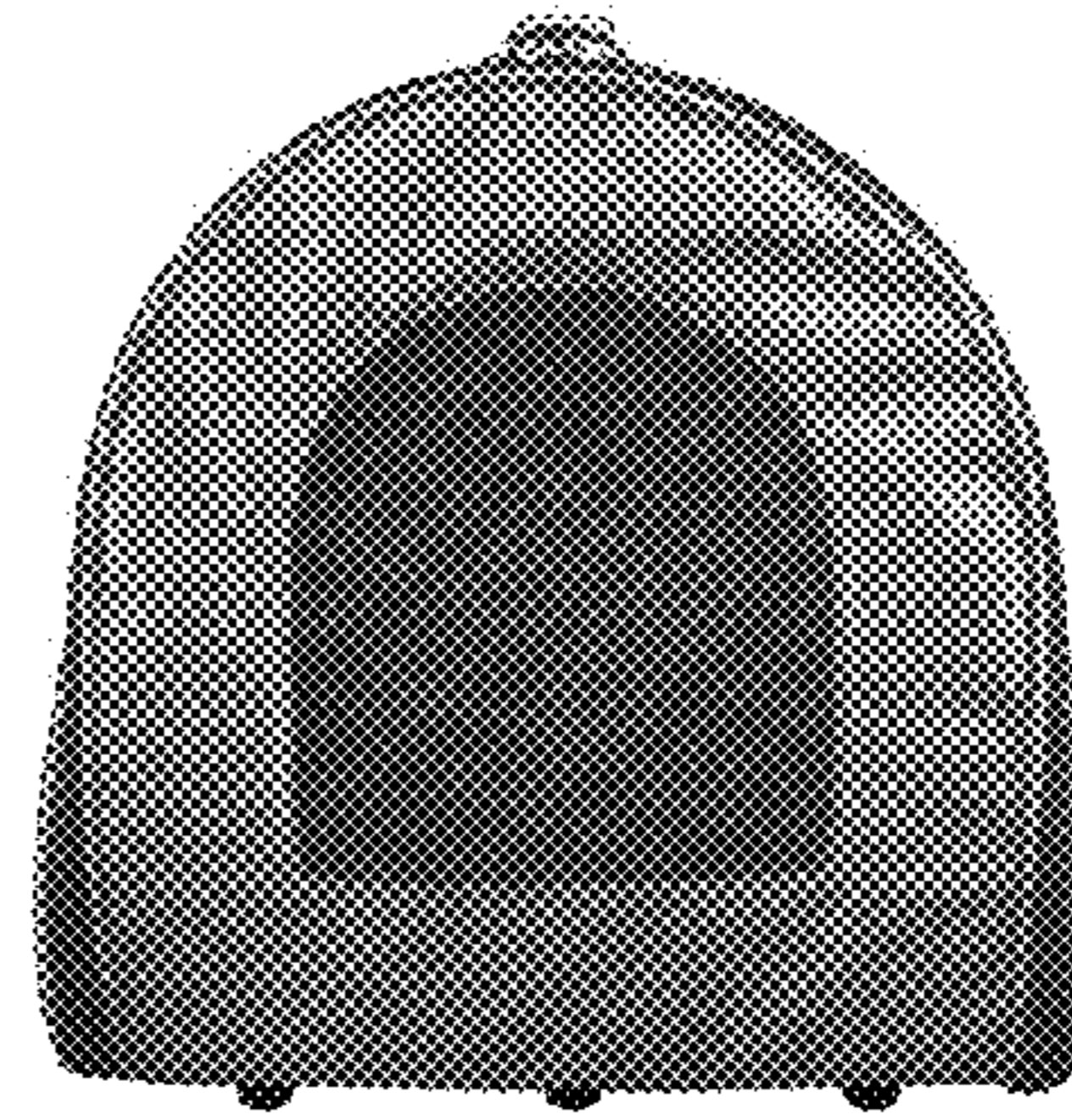


FIG. 6

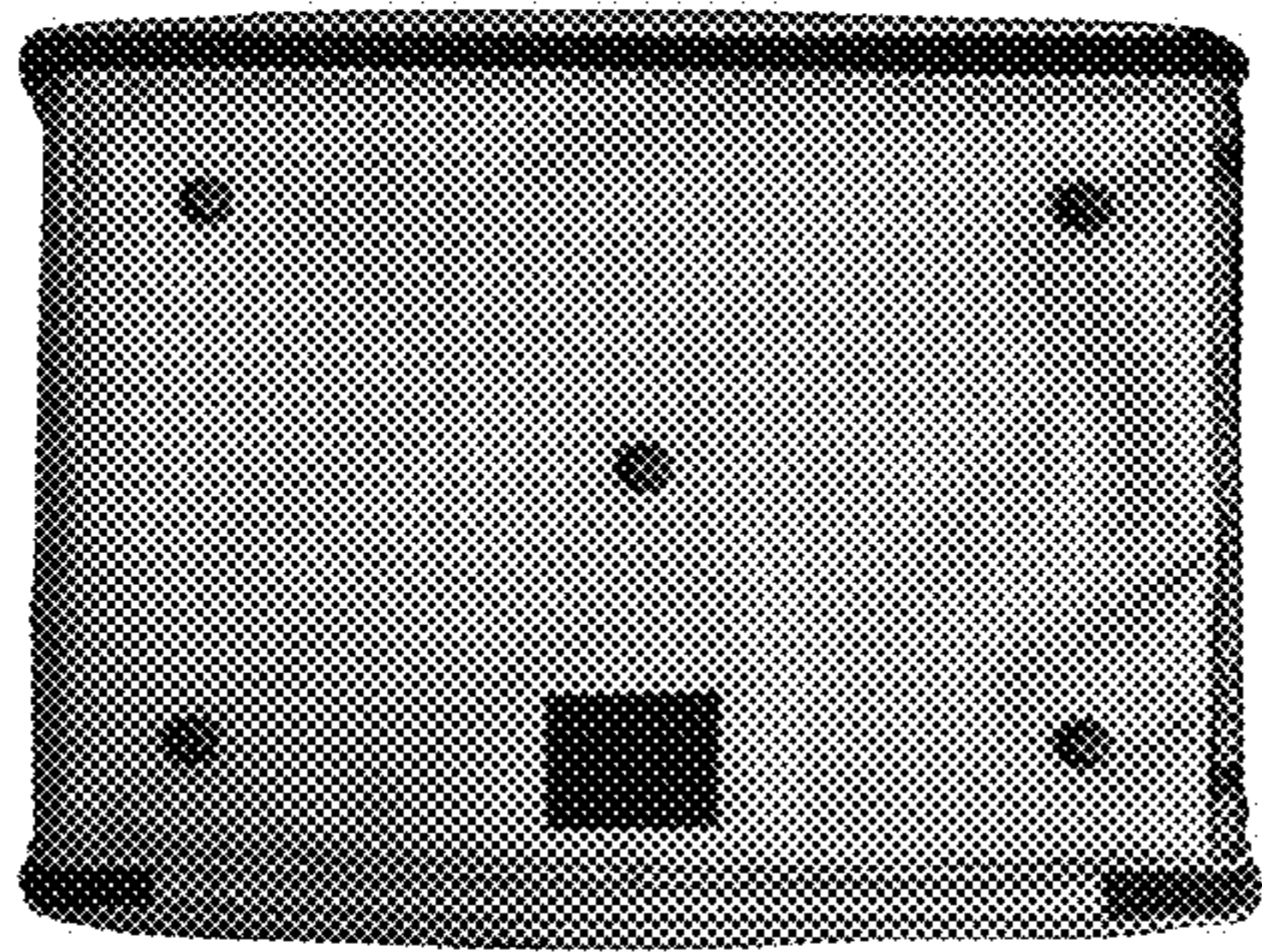


FIG. 3

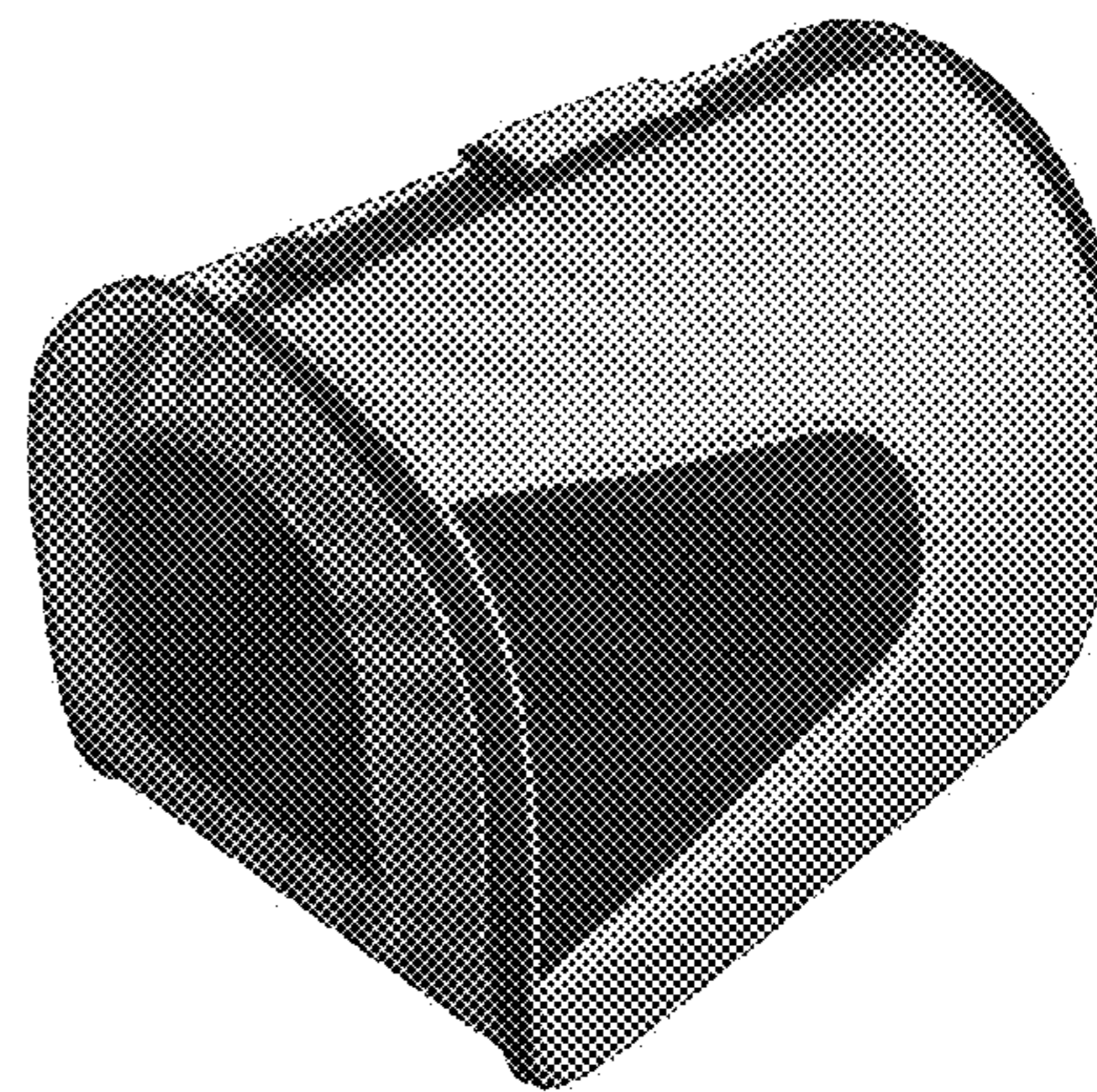


FIG. 7

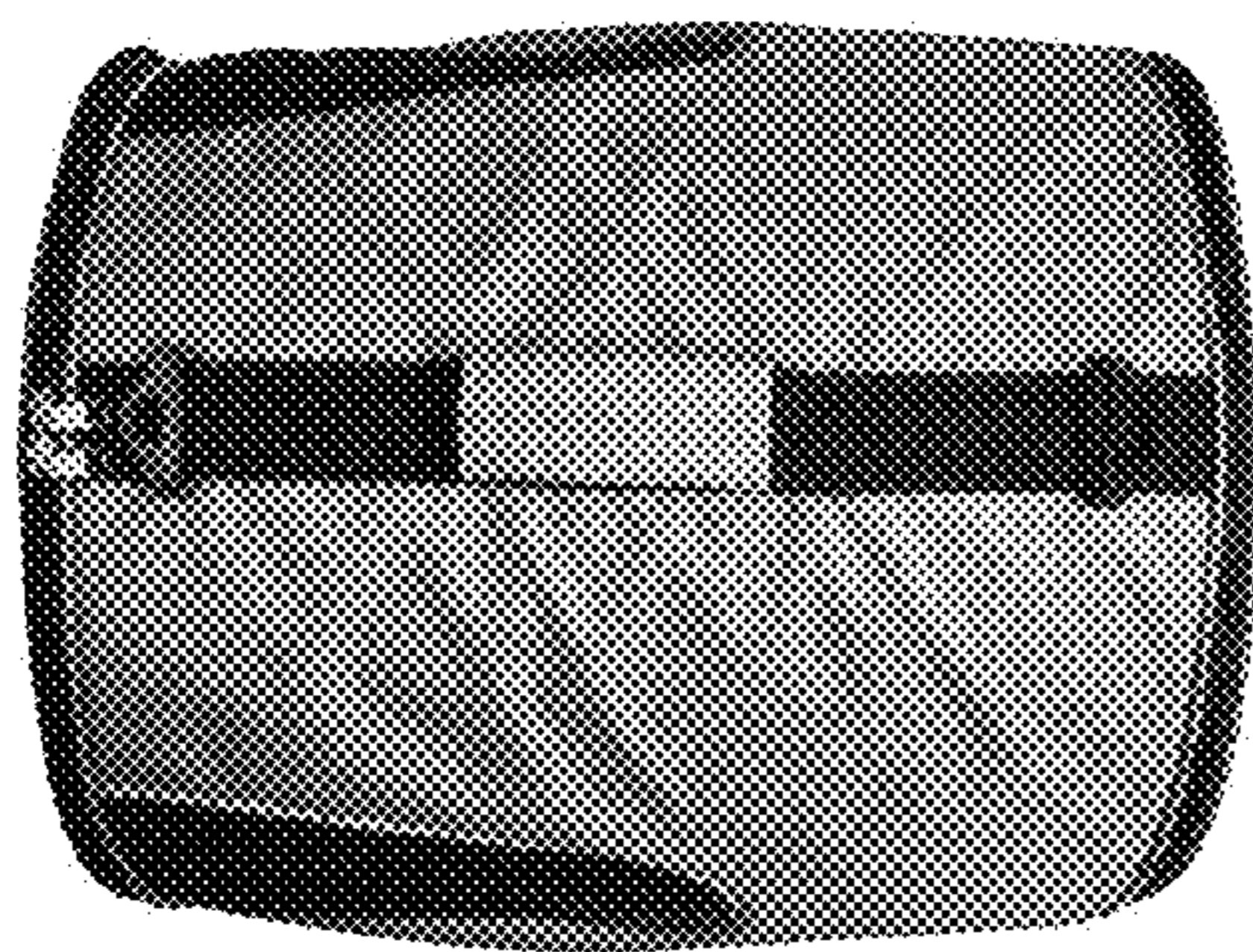


FIG. 4

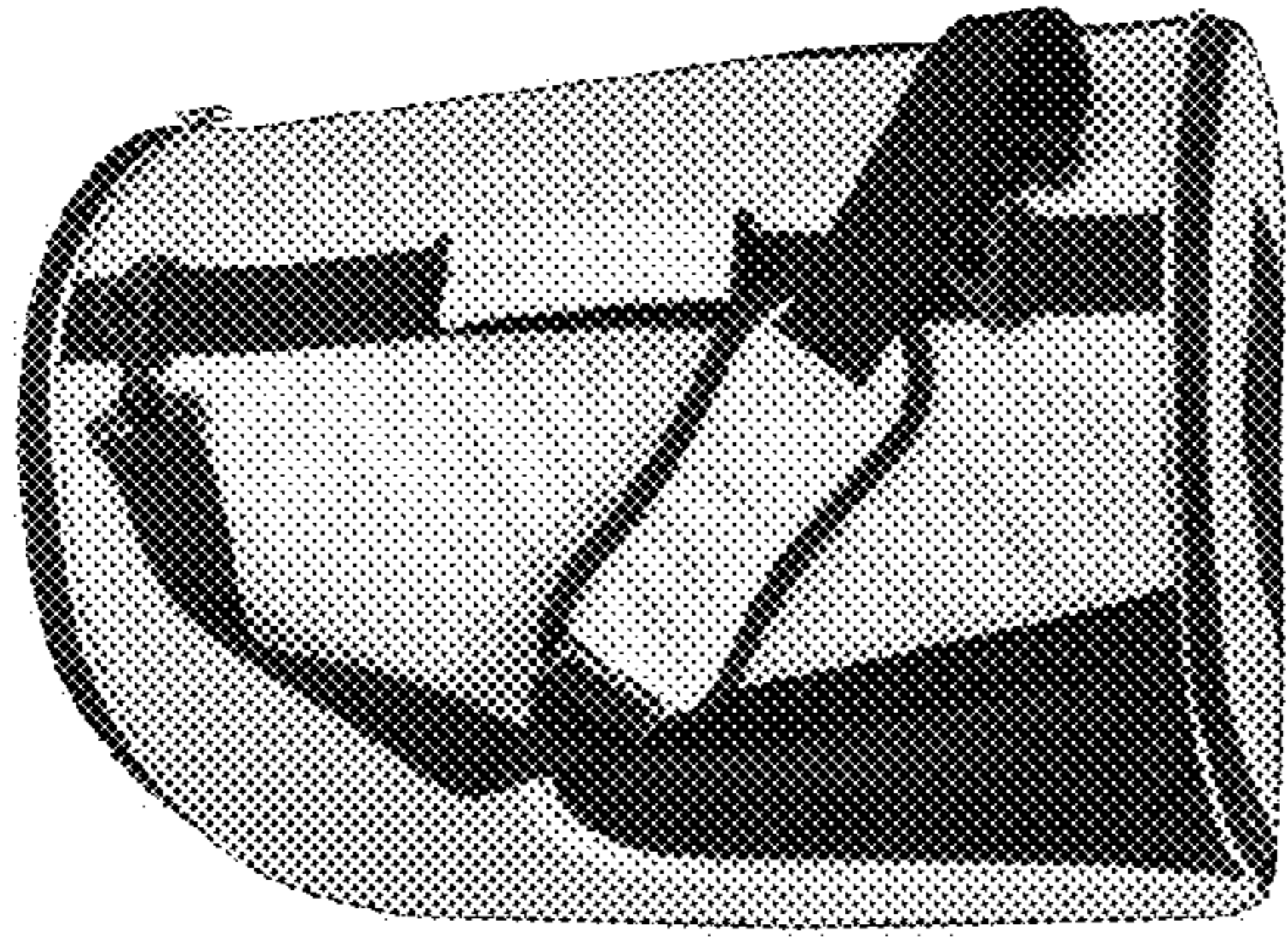


FIG. 8

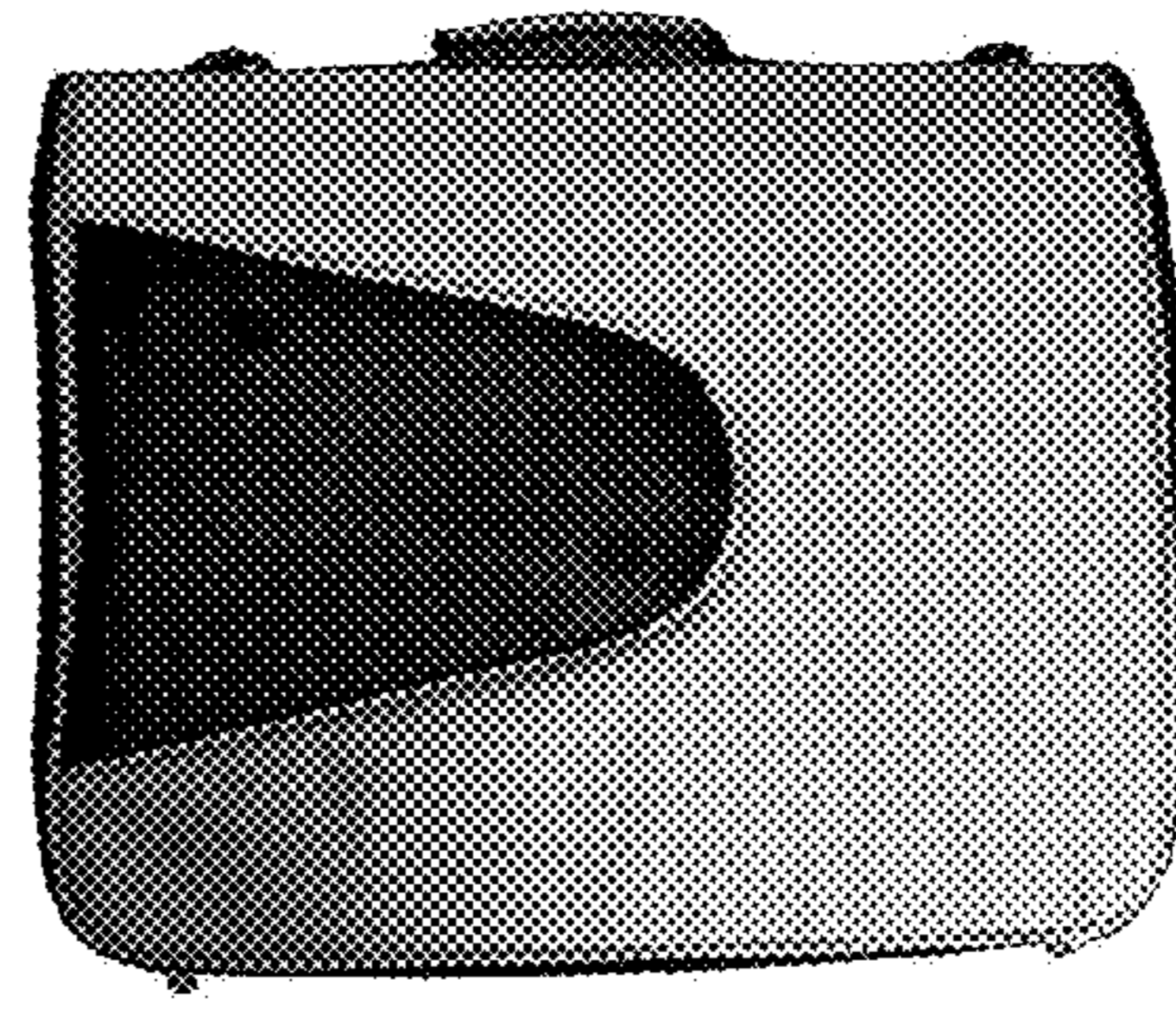


FIG. 9

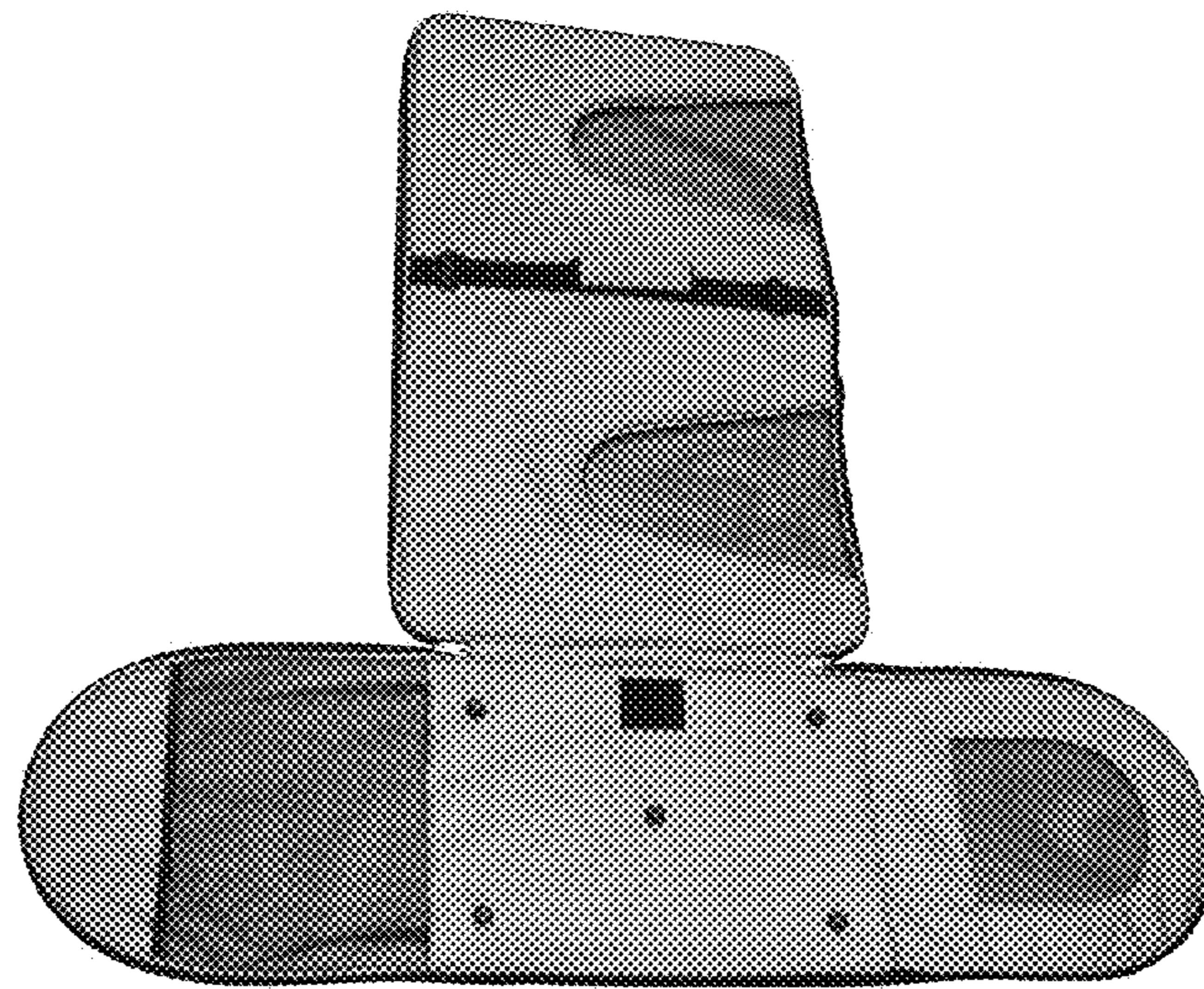


FIG. 10



FIG. 11