



US00D621098S

(12) **United States Design Patent**  
**Francis et al.**

(10) **Patent No.:** **US D621,098 S**

(45) **Date of Patent:** **\*\* Aug. 3, 2010**

(54) **FOLDING TWEEZERS**

(76) Inventors: **Richard Walter Francis**, 61499  
Longview St., Bend, OR (US) 97702;  
**Beverly Anne Francis**, 61499 Longview  
St., Bend, OR (US) 97702

(\*\*) Term: **14 Years**

(21) Appl. No.: **29/310,546**

(22) Filed: **Aug. 23, 2008**

(51) **LOC (9) Cl.** ..... **28-03**

(52) **U.S. Cl.** ..... **D28/55**

(58) **Field of Classification Search** ..... D28/55;  
D24/143; 606/210, 211; 294/99.2  
See application file for complete search history.

(56) **References Cited**

U.S. PATENT DOCUMENTS

- 2,999,505 A \* 9/1961 Herstedt ..... D28/55
- 5,740,611 A \* 4/1998 Schloss ..... 294/99.2
- D584,451 S \* 1/2009 Cho ..... D28/55

\* cited by examiner

*Primary Examiner*—Jennifer Rivard  
(74) *Attorney, Agent, or Firm*—Sheasby & Spear LLP;  
Thomas M. Spear, Jr.

(57) **CLAIM**

I claim the ornamental design for a folding tweezers, as shown and described.

**DESCRIPTION**

FIG. 1 is a perspective view of a tweezers showing my design in the closed position;

FIG. 2 is a perspective view of the tweezers in the open position;

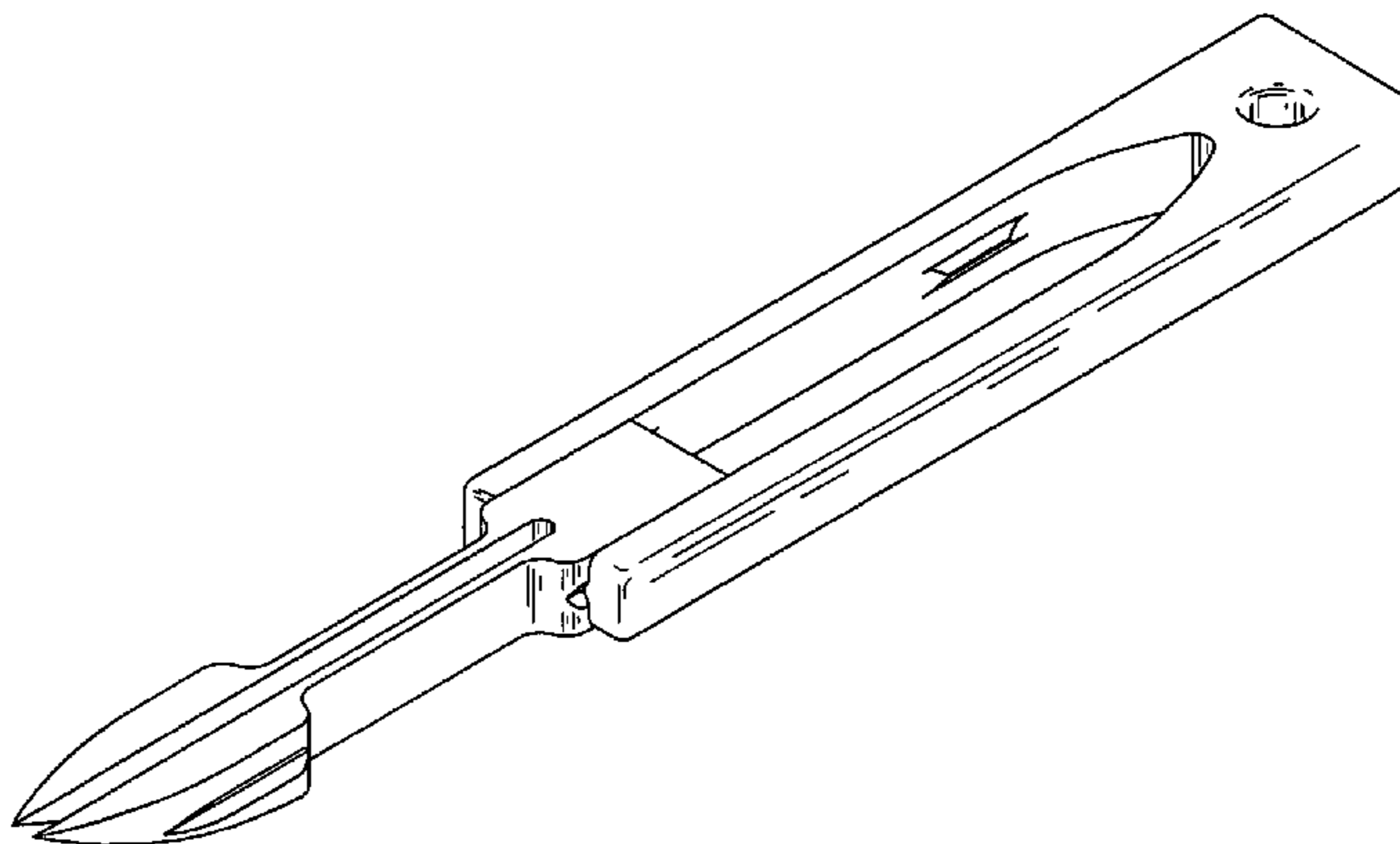
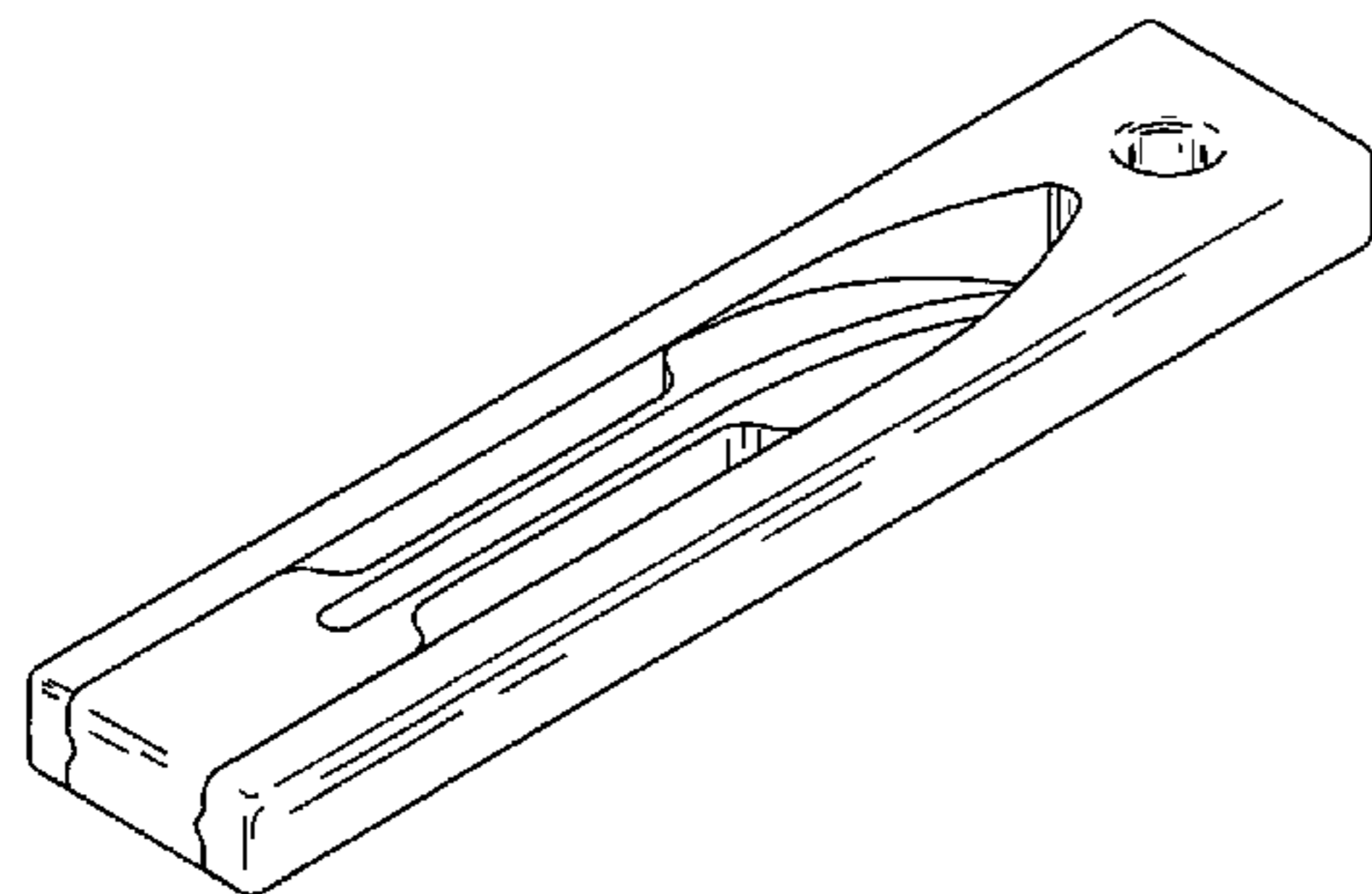
FIG. 3 is a top view of the tweezers in the closed position;

FIG. 4 is a sectional view of the tweezers' head section with the tweezers in the closed position take along lines 4—4 in FIG. 3.

FIG. 5 is a top view of the tweezers in the open position; and,

FIG. 6 is a right side view of the tweezers in the open position.

**1 Claim, 6 Drawing Sheets**



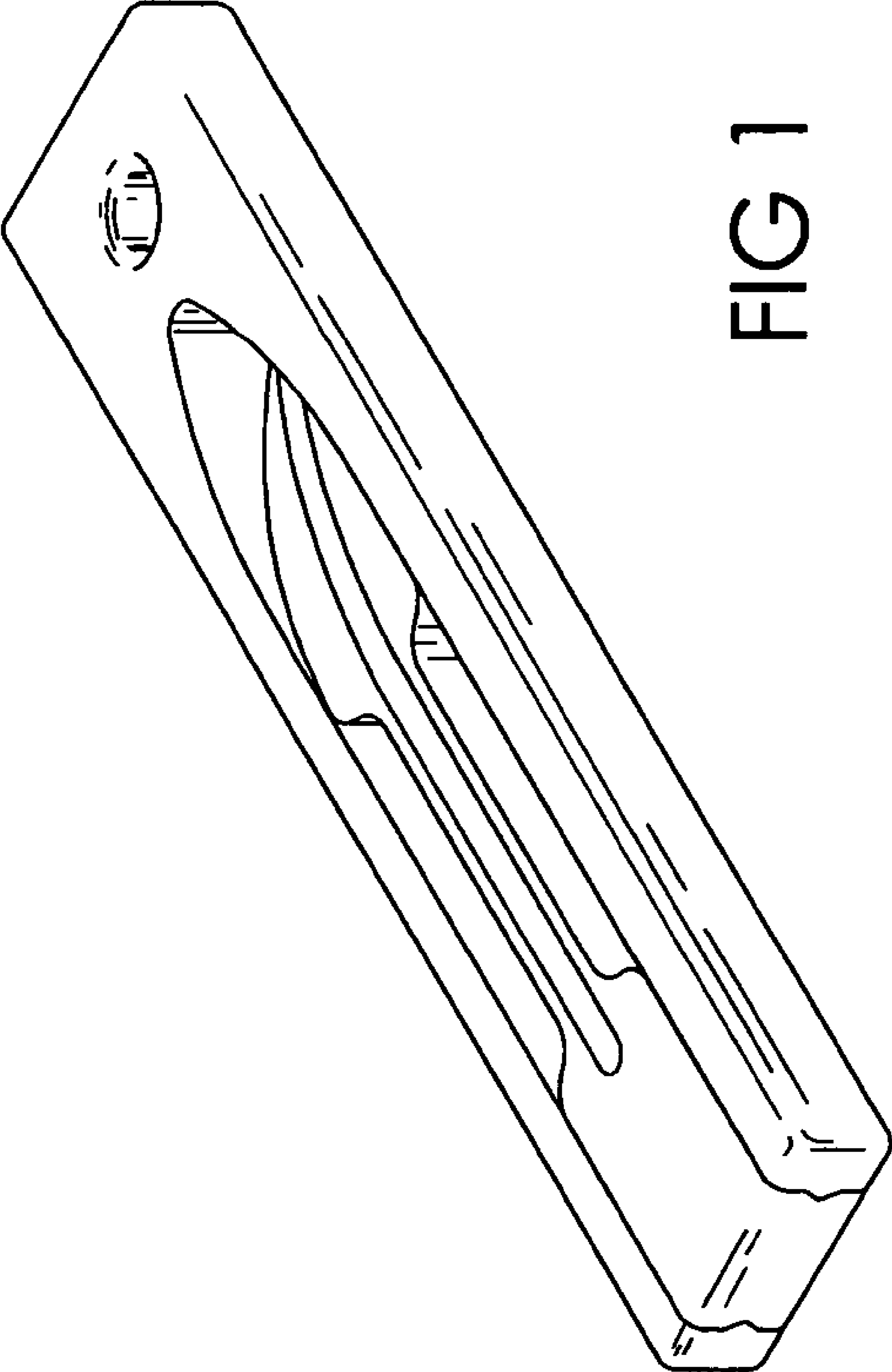


FIG 1

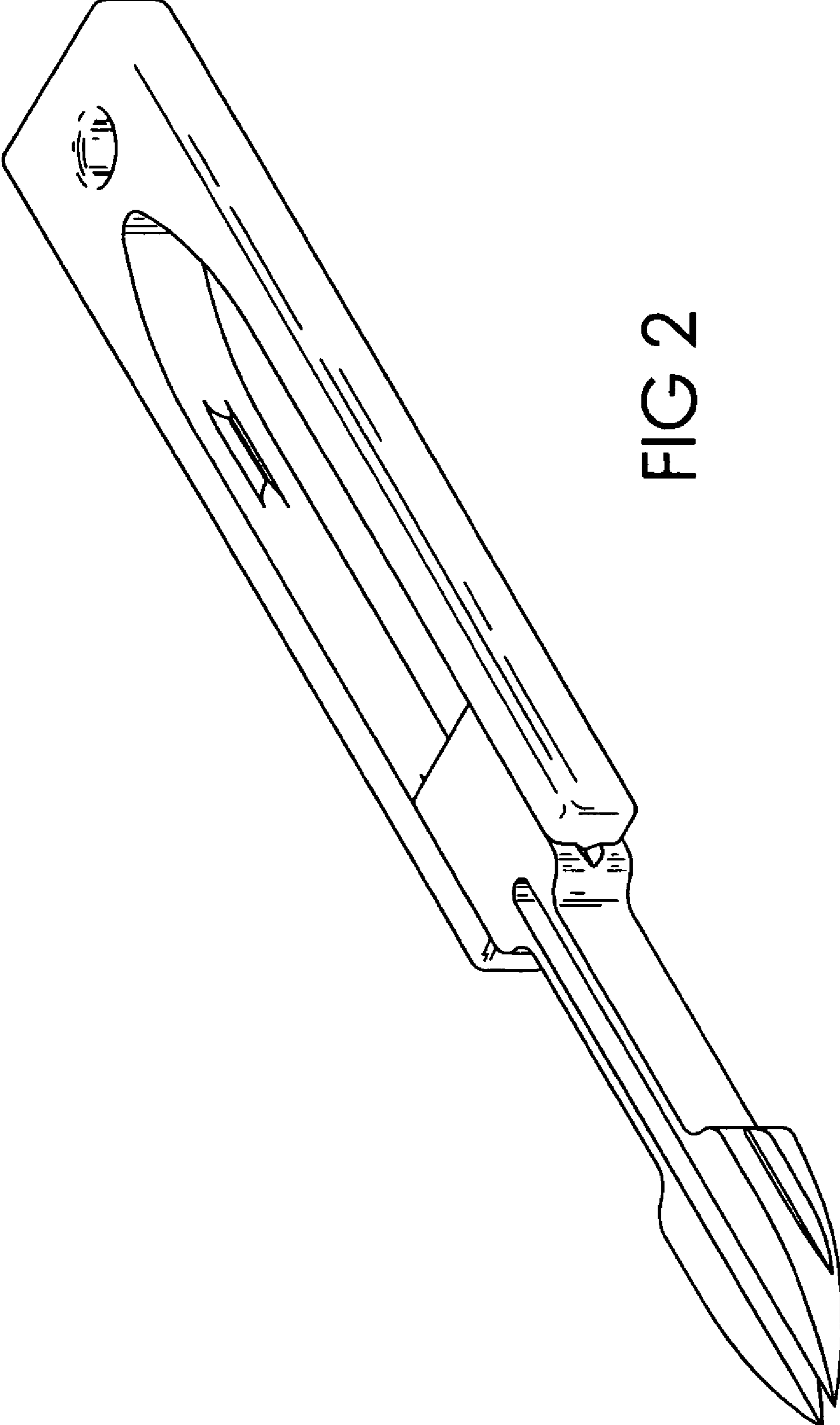


FIG 2

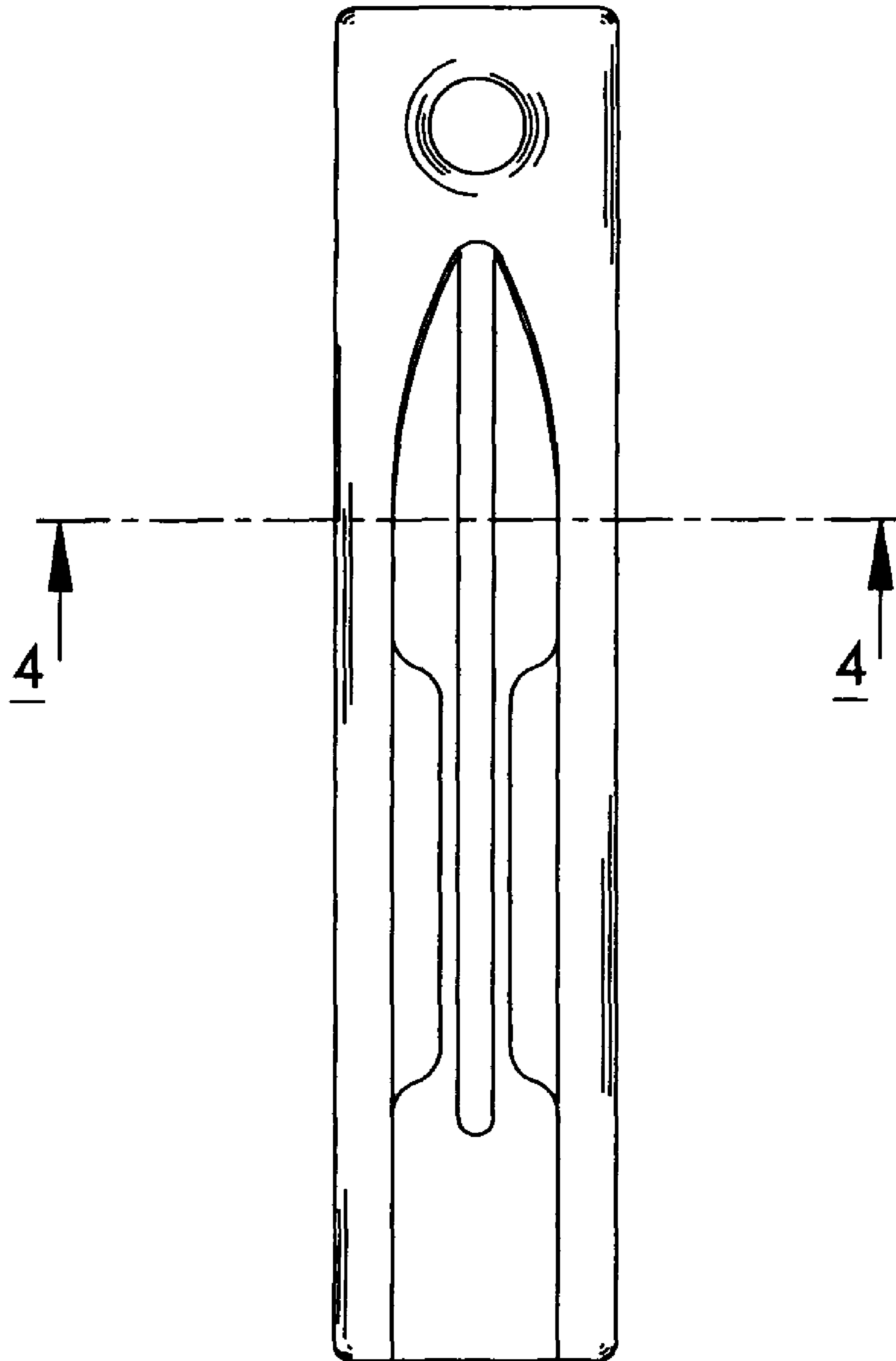


FIG 3

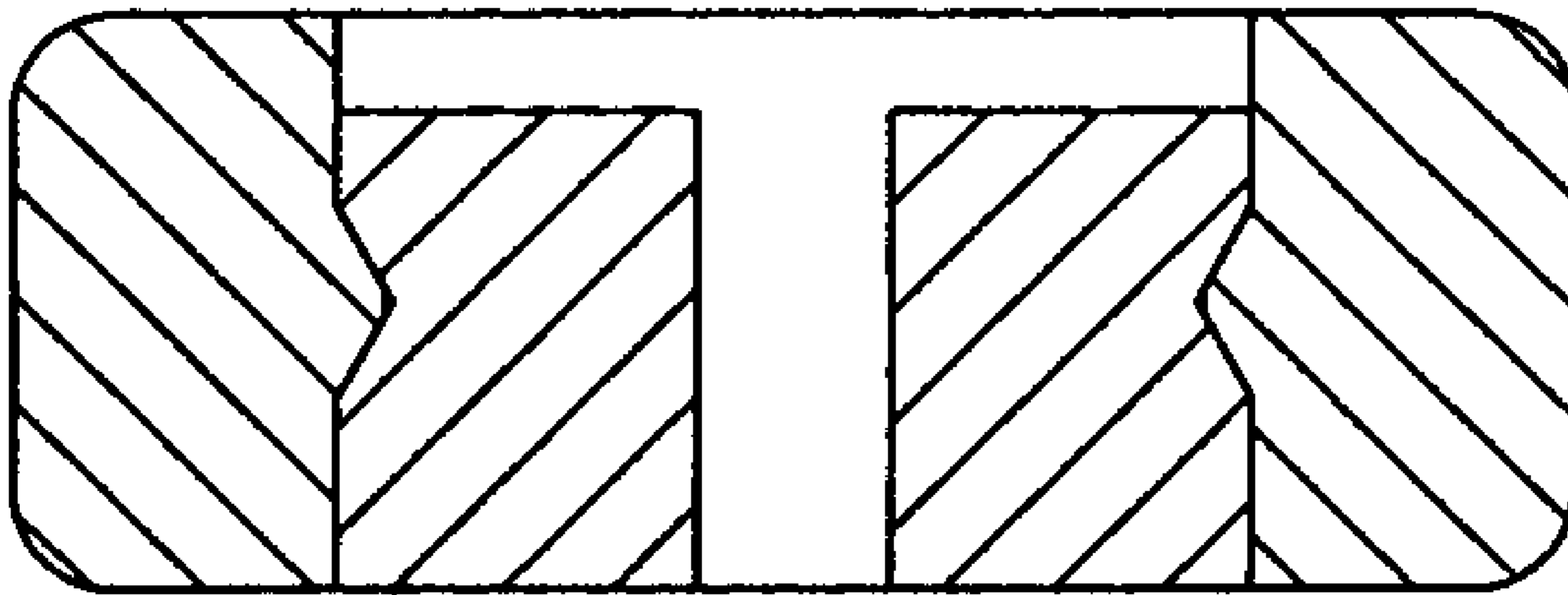


FIG 4

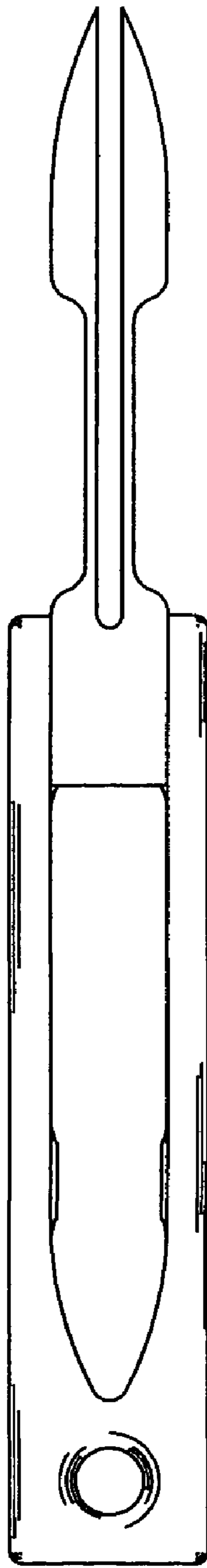


FIG 5

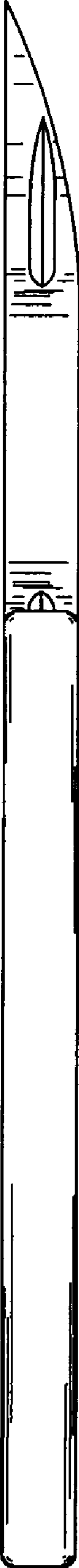


FIG 6