



US00D621094S

(12) **United States Design Patent**
Kaizuka

(10) **Patent No.:** **US D621,094 S**
(45) **Date of Patent:** **** Aug. 3, 2010**

(54) **PLUG-IN HEATER FOR HOT CURLERS**

(75) Inventor: **Kazutoshi Kaizuka**, Fukuoka (JP)

(73) Assignee: **Create Co., Ltd.**, Fukuoka (JP)

(**) Term: **14 Years**

(21) Appl. No.: **29/344,420**

(22) Filed: **Sep. 29, 2009**

(51) **LOC (9) Cl.** **28-03**

(52) **U.S. Cl.** **D28/38**

(58) **Field of Classification Search** D28/35,
D28/38; 132/223–236; 219/222, 225–227,
219/242

See application file for complete search history.

(56) **References Cited**

U.S. PATENT DOCUMENTS

4,791,272	A *	12/1988	Thaler et al.	219/222
5,248,870	A *	9/1993	Redal	219/242
D351,045	S *	9/1994	Gebhard	D28/35
D405,229	S *	2/1999	Tobin	D28/38
2009/0165811	A1 *	7/2009	Zimmerman	219/222

* cited by examiner

Primary Examiner—Jennifer Rivard
(74) *Attorney, Agent, or Firm*—Warner Norcross & Judd LLP

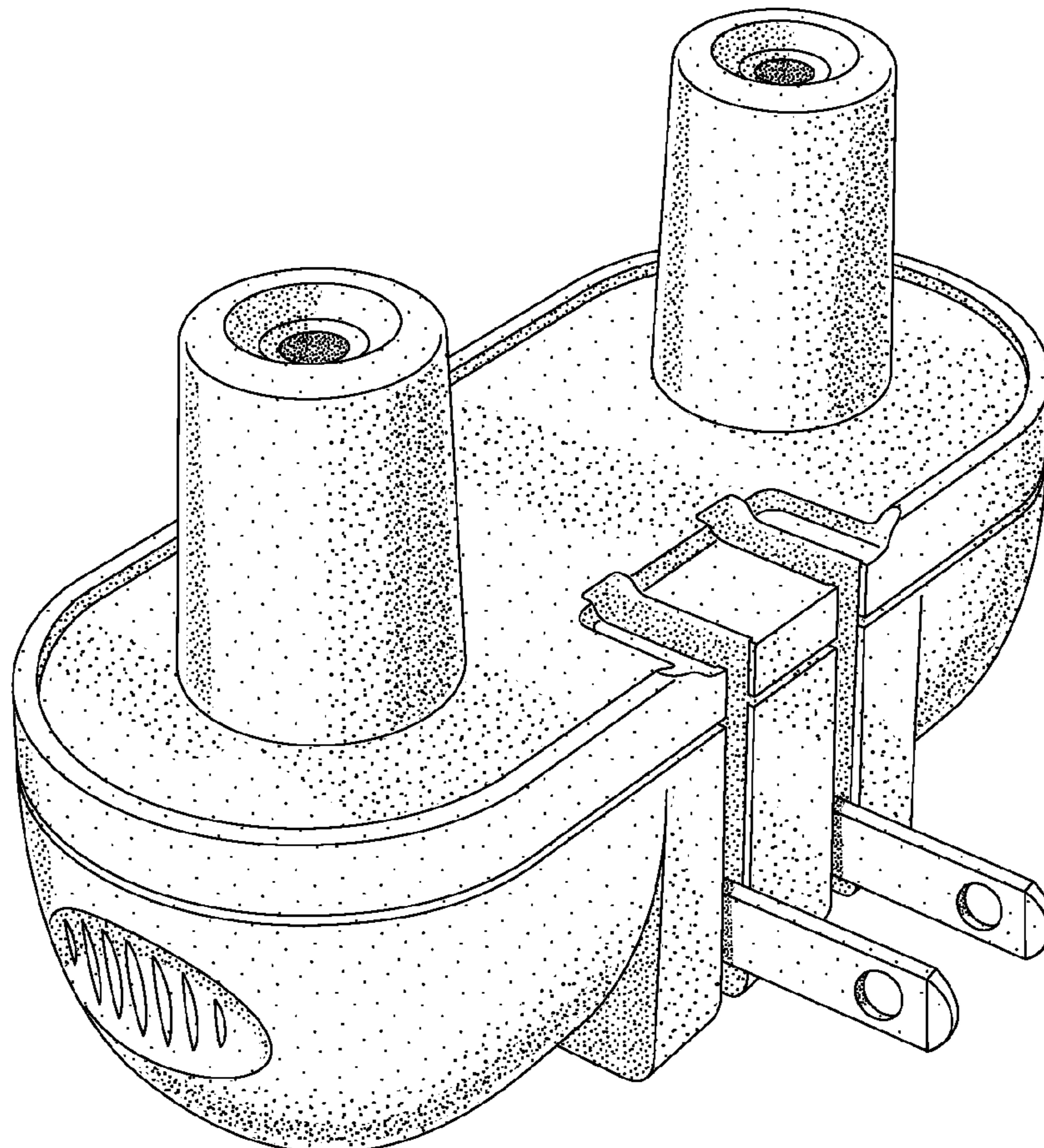
(57) **CLAIM**

The ornamental design for a plug-in heater for hot curlers, as shown and described.

DESCRIPTION

FIG. 1 is a perspective view of the heater embodying the new design with the plugs in a storage position;
FIG. 2 is a front elevational view thereof;
FIG. 3 is a top plan view thereof;
FIG. 4 is a rear elevational view thereof;
FIG. 5 is a bottom plan view thereof;
FIG. 6 is a right side elevational view thereof;
FIG. 7 is a left side elevational view thereof;
FIG. 8 is a perspective view thereof, with the plugs in a use position; and,
FIG. 9 is a perspective view thereof, with the plugs in an alternative use position.

1 Claim, 6 Drawing Sheets



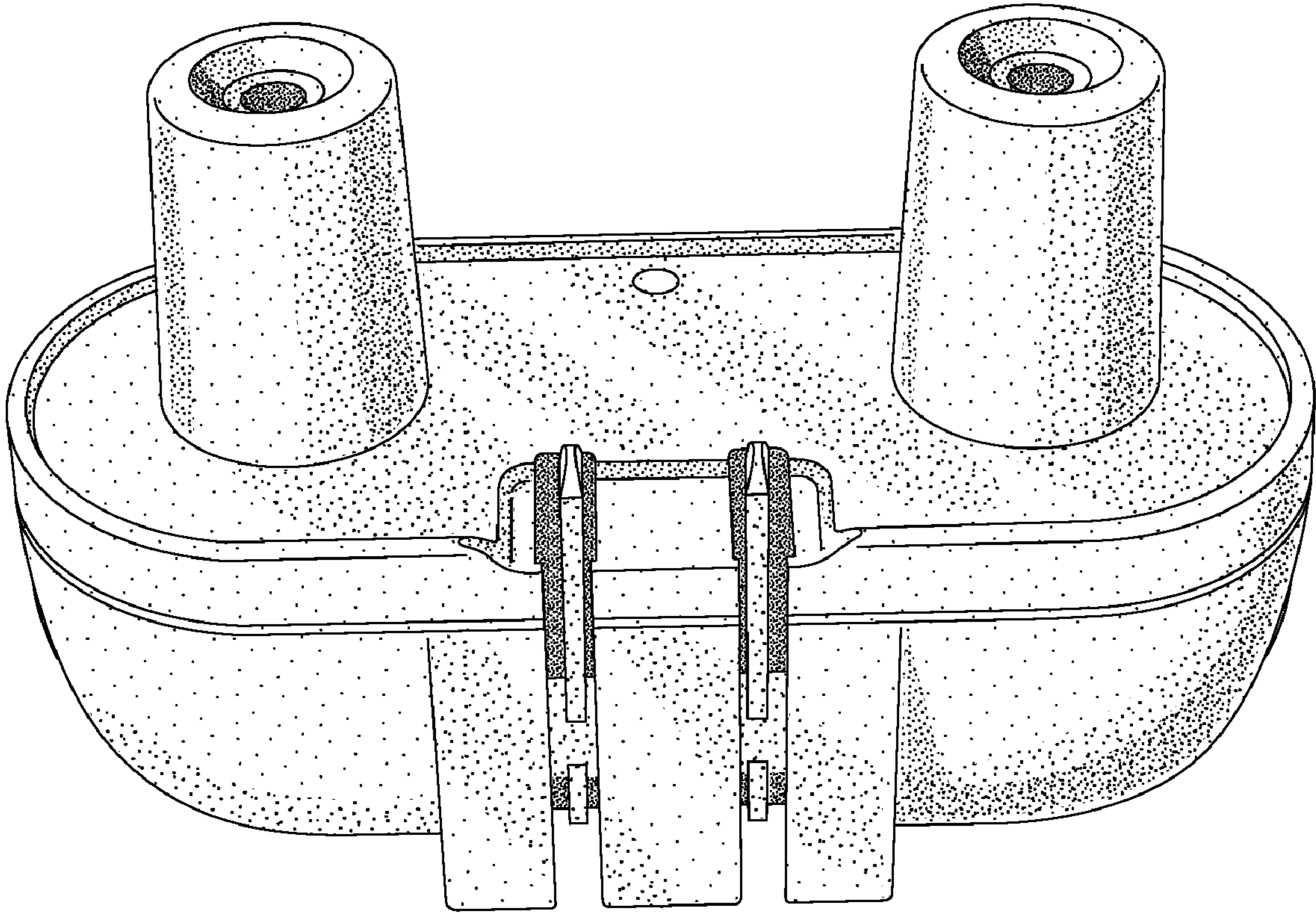


Fig. 1

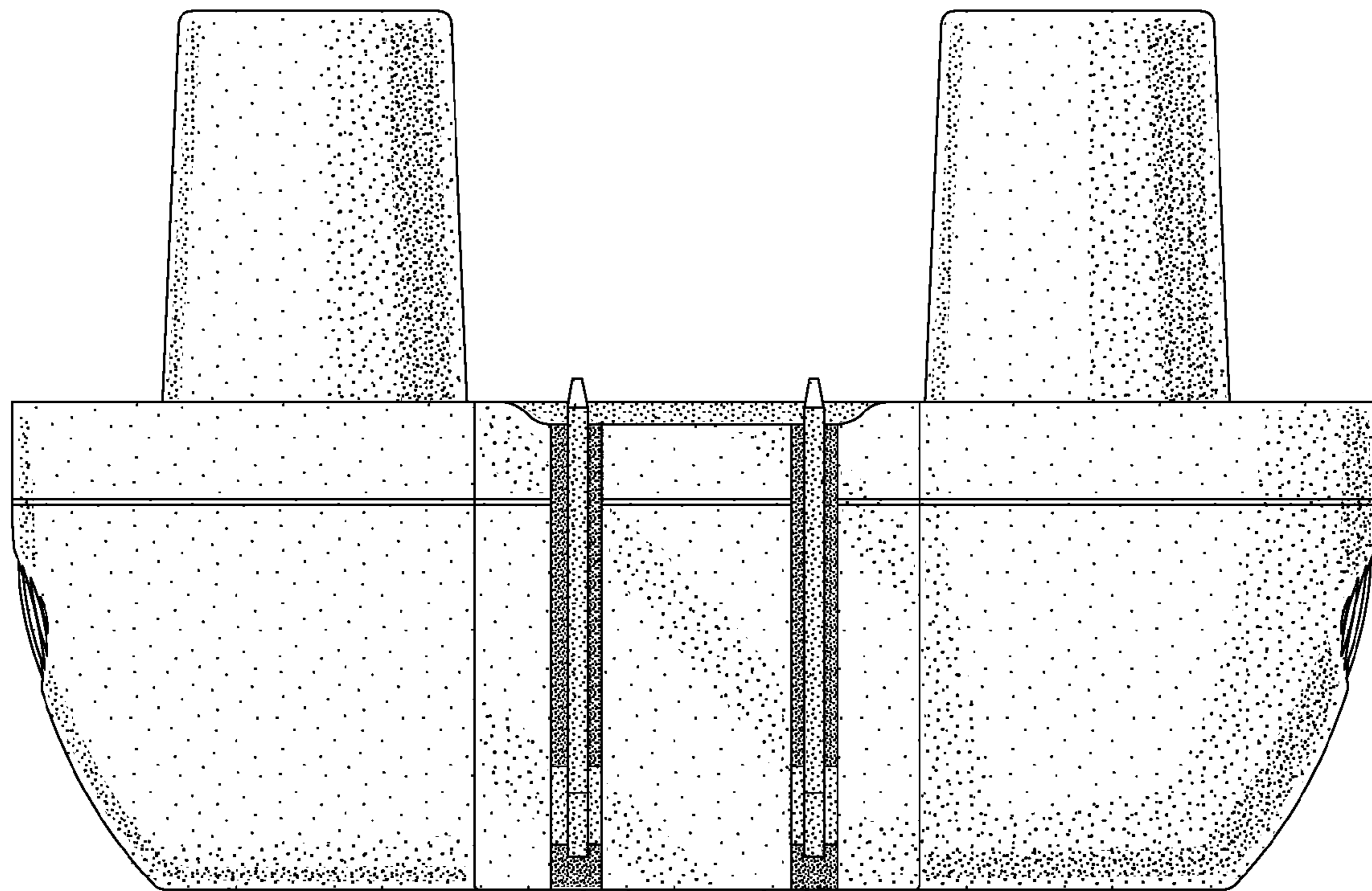


Fig. 2

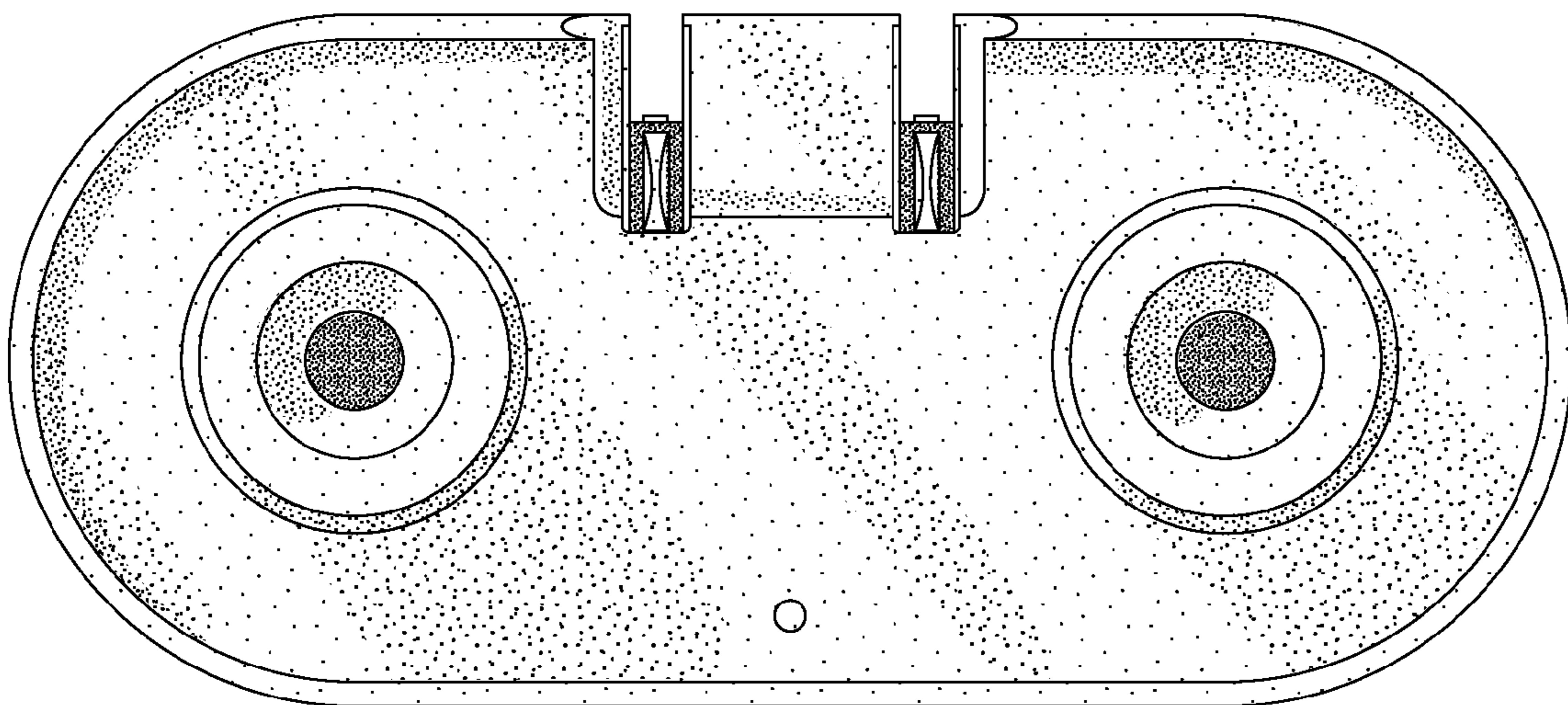


Fig. 3

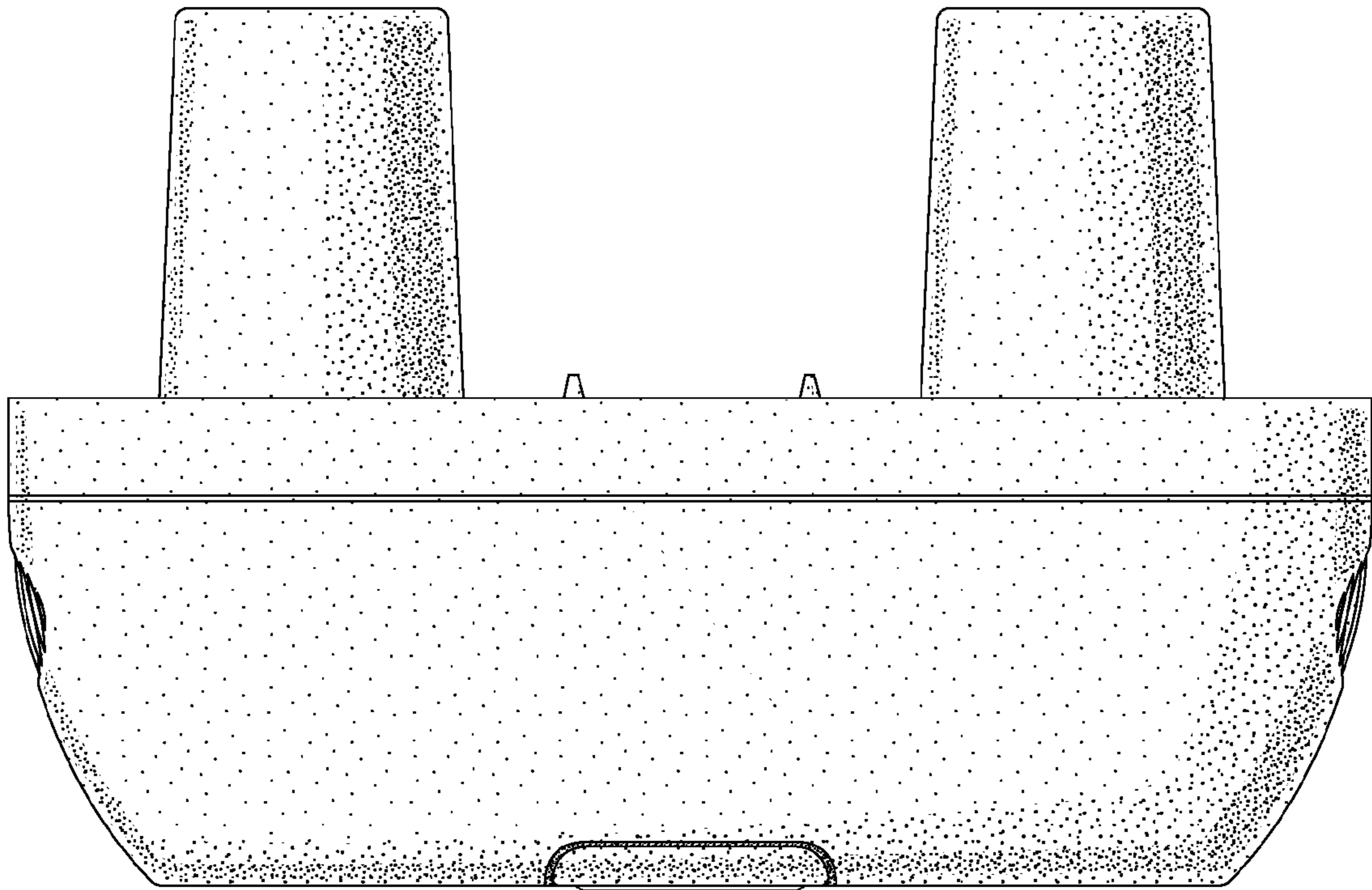


Fig. 4

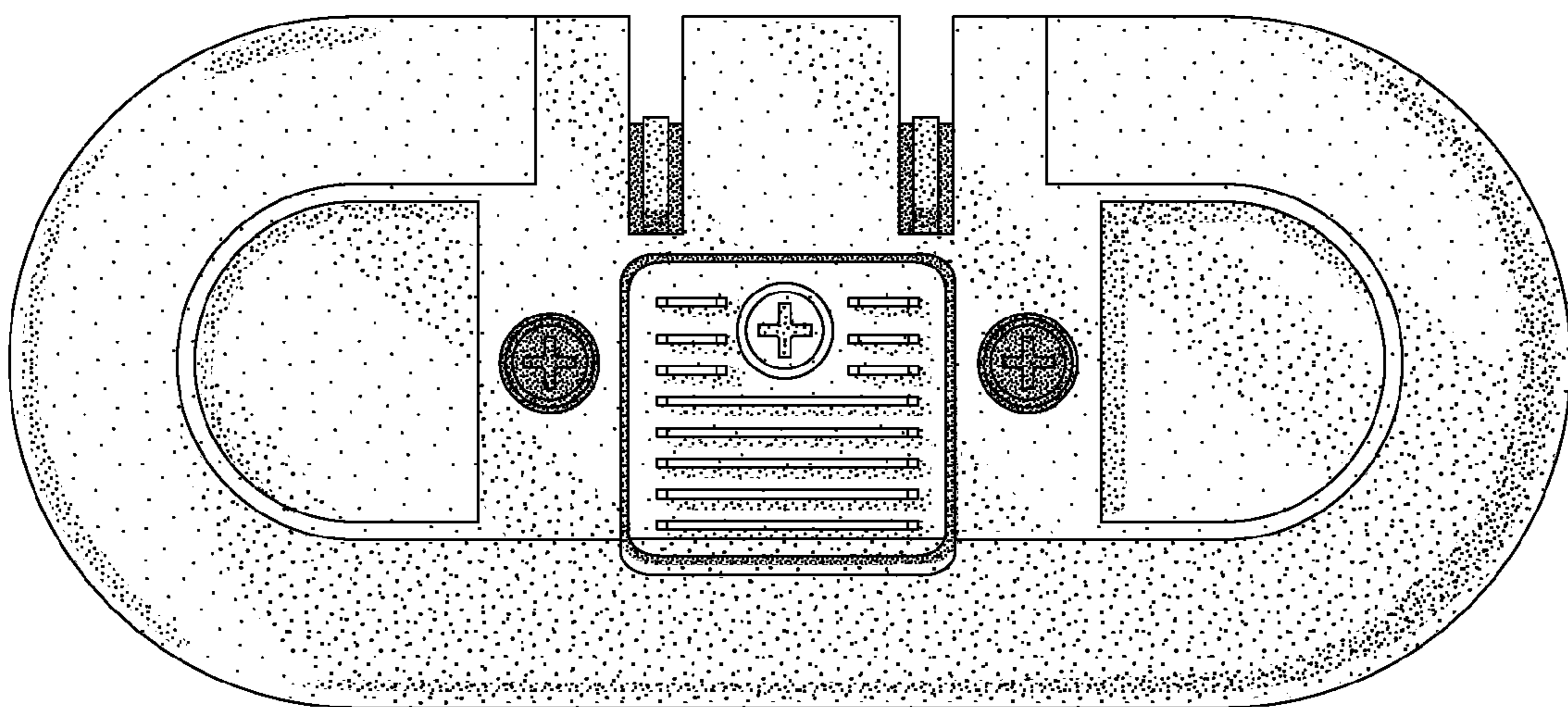


Fig. 5

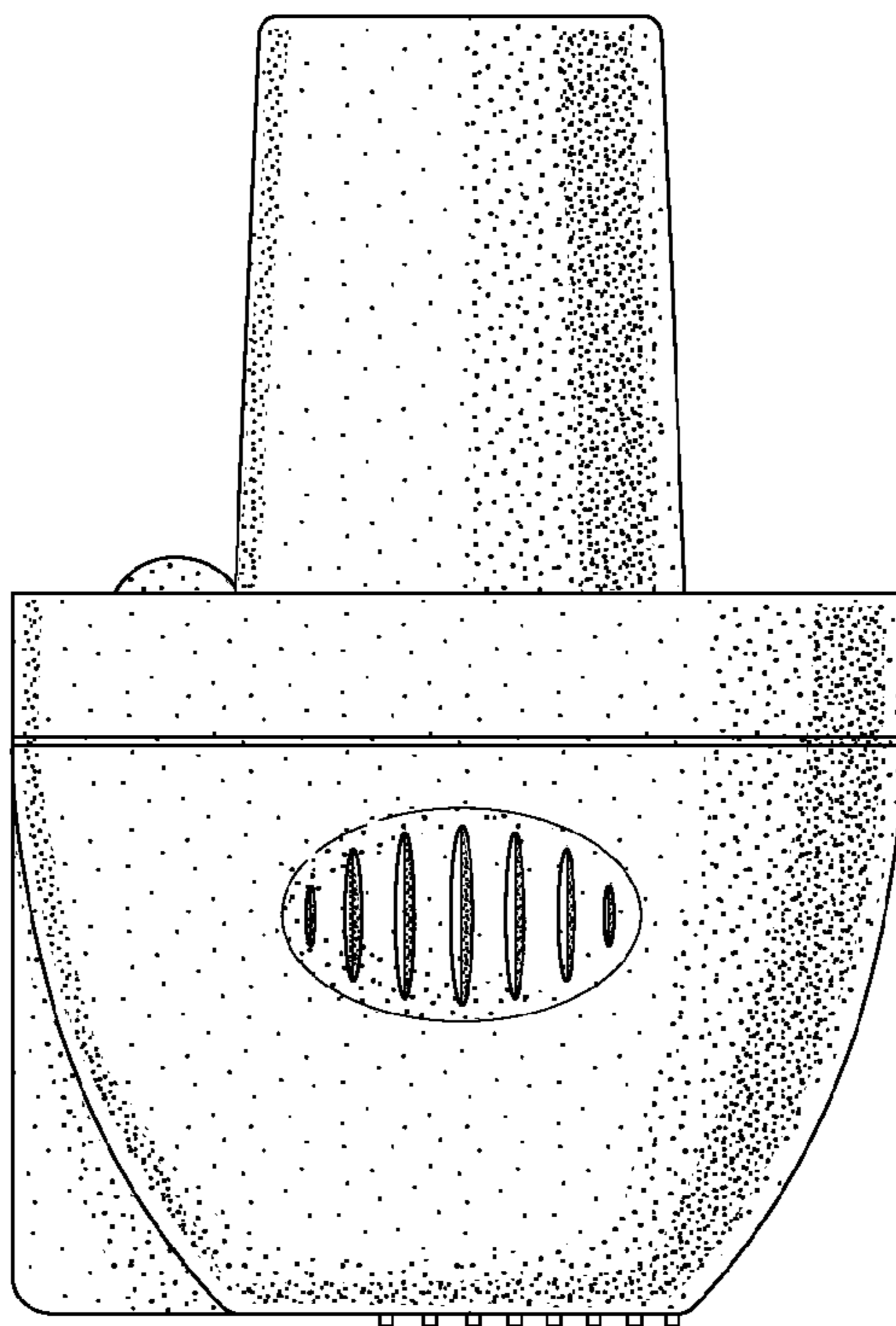


Fig. 6

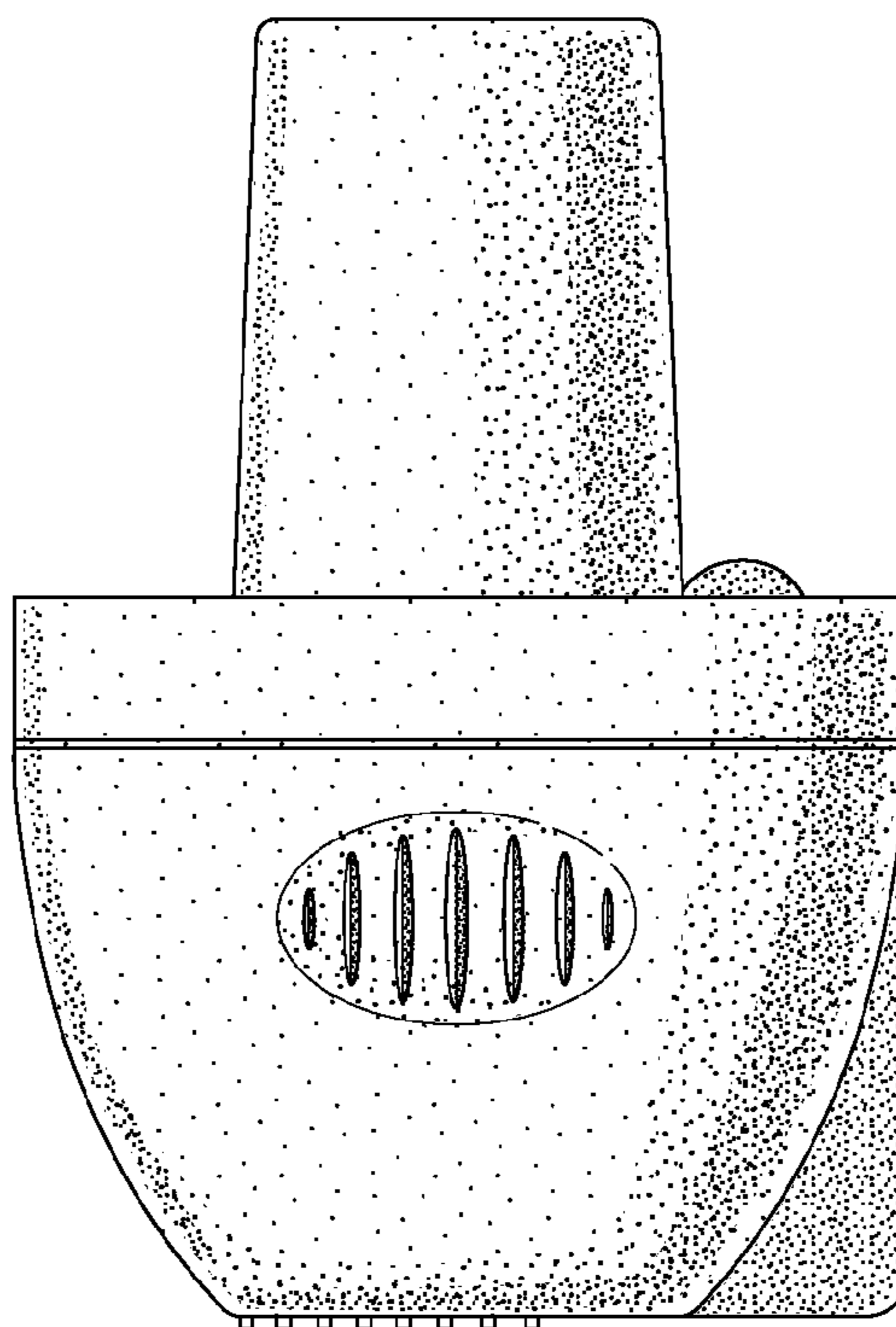


Fig. 7

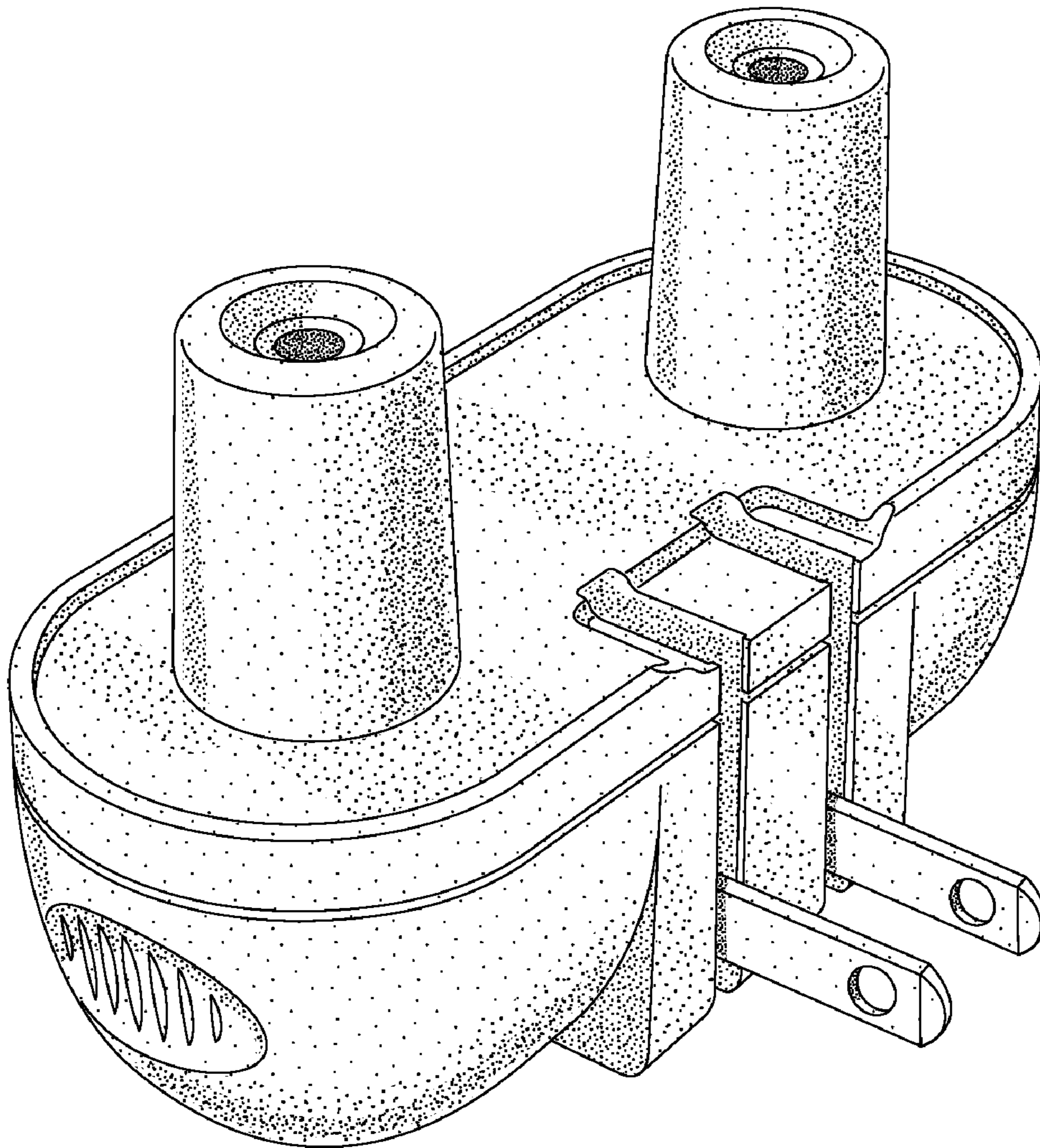


Fig. 8

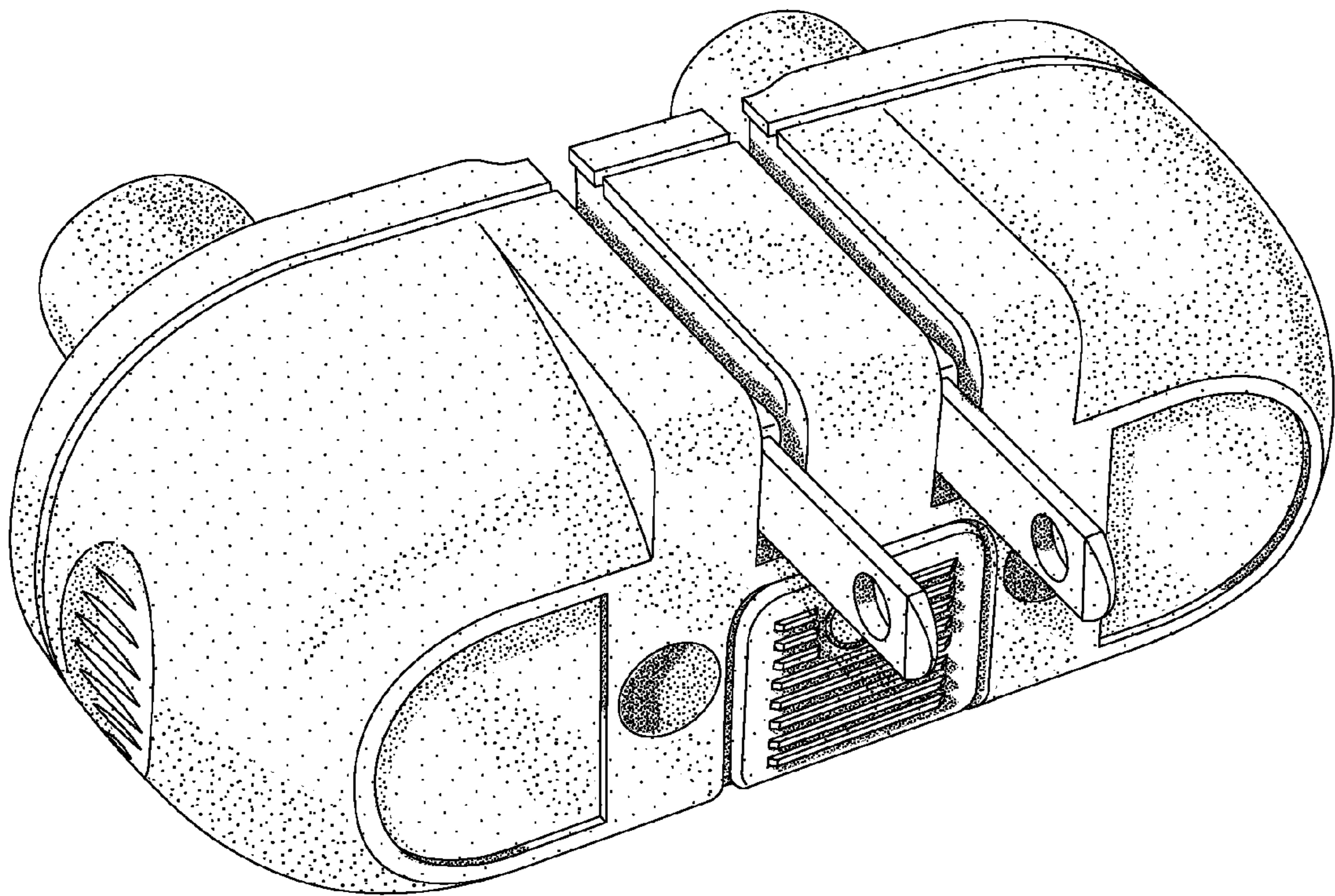


Fig. 9