



US00D621087S

(12) **United States Design Patent**
Nagane et al.

(10) **Patent No.:** **US D621,087 S**

(45) **Date of Patent:** **** Aug. 3, 2010**

(54) **LIGHTING FIXTURE**

(75) Inventors: **Hiroshi Nagane**, Tokyo (JP); **Sayaka Ono**, Tokyo (JP)

(73) Assignee: **Yamagata Promotional Organization for Industrial Technology**, Yamagata-shi, Yamagata (JP)

(**) Term: **14 Years**

(21) Appl. No.: **29/341,012**

(22) Filed: **Jul. 29, 2009**

(30) **Foreign Application Priority Data**

Jan. 29, 2009 (JP) 2009-001753

(51) **LOC (9) Cl.** **26-03**

(52) **U.S. Cl.** **D26/88; D26/86**

(58) **Field of Classification Search** D26/72,
D26/80-86, 88-91, 118, 128, 129; 362/147,
362/404-408, 443, 457

See application file for complete search history.

(56) **References Cited**

U.S. PATENT DOCUMENTS

D18,223 S *	4/1888	Barr	D7/565
D40,706 S *	5/1910	Perring	D26/137
D45,539 S *	3/1914	Meyers	D26/90
D346,239 S *	4/1994	Vamberszky et al.	D26/118
D429,360 S *	8/2000	Chelf et al.	D26/86
D441,895 S *	5/2001	Orozco	D26/85
D445,941 S *	7/2001	Schaefer et al.	D26/85
D469,562 S *	1/2003	Crasset	D26/90
D586,934 S	2/2009	Ogashiwa		
D602,191 S *	10/2009	Chang et al.	D26/84
D605,333 S *	12/2009	Miranda	D26/88

D606,233 S * 12/2009 Benghozi D26/88

FOREIGN PATENT DOCUMENTS

JP	2003-007450 A	1/2003
JP	2004-234868 A	8/2004
JP	2007-173424 A	7/2007

* cited by examiner

Primary Examiner—Clare E Heflin

(74) *Attorney, Agent, or Firm*—Westerman, Hattori, Daniels & Adrian, LLP

(57) **CLAIM**

The ornamental design for a lighting fixture, as shown and described.

DESCRIPTION

FIG. 1 is a front elevational view of a light fixture showing our new design;

FIG. 2 is a rear elevational view thereof;

FIG. 3 is a top plan view thereof;

FIG. 4 is a bottom plan view thereof;

FIG. 5 is a right side elevational view thereof;

FIG. 6 is a left side elevational view thereof;

FIG. 7 is an enlarged bottom plan view of a portion 7 in FIG. 4;

FIG. 8 is a enlarged sectional view taken along line 8-8 in FIG. 7; and,

FIG. 9 is a bottom perspective view thereof.

The broken lines illustrate environmental structure and form no part of the claimed design.

The dash-dot-dash lines illustrate a boundary of the claimed design for those figures.

1 Claim, 8 Drawing Sheets

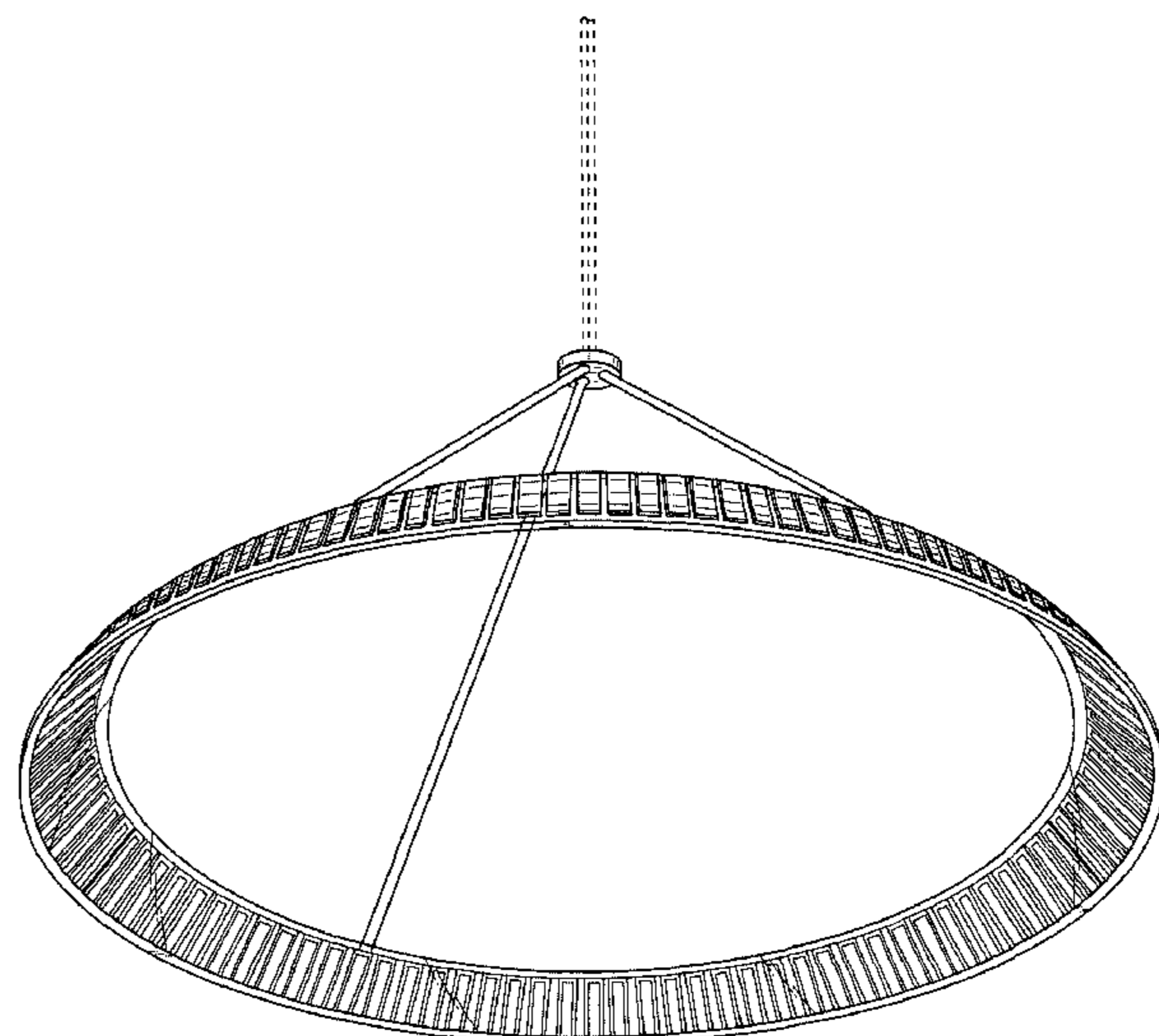
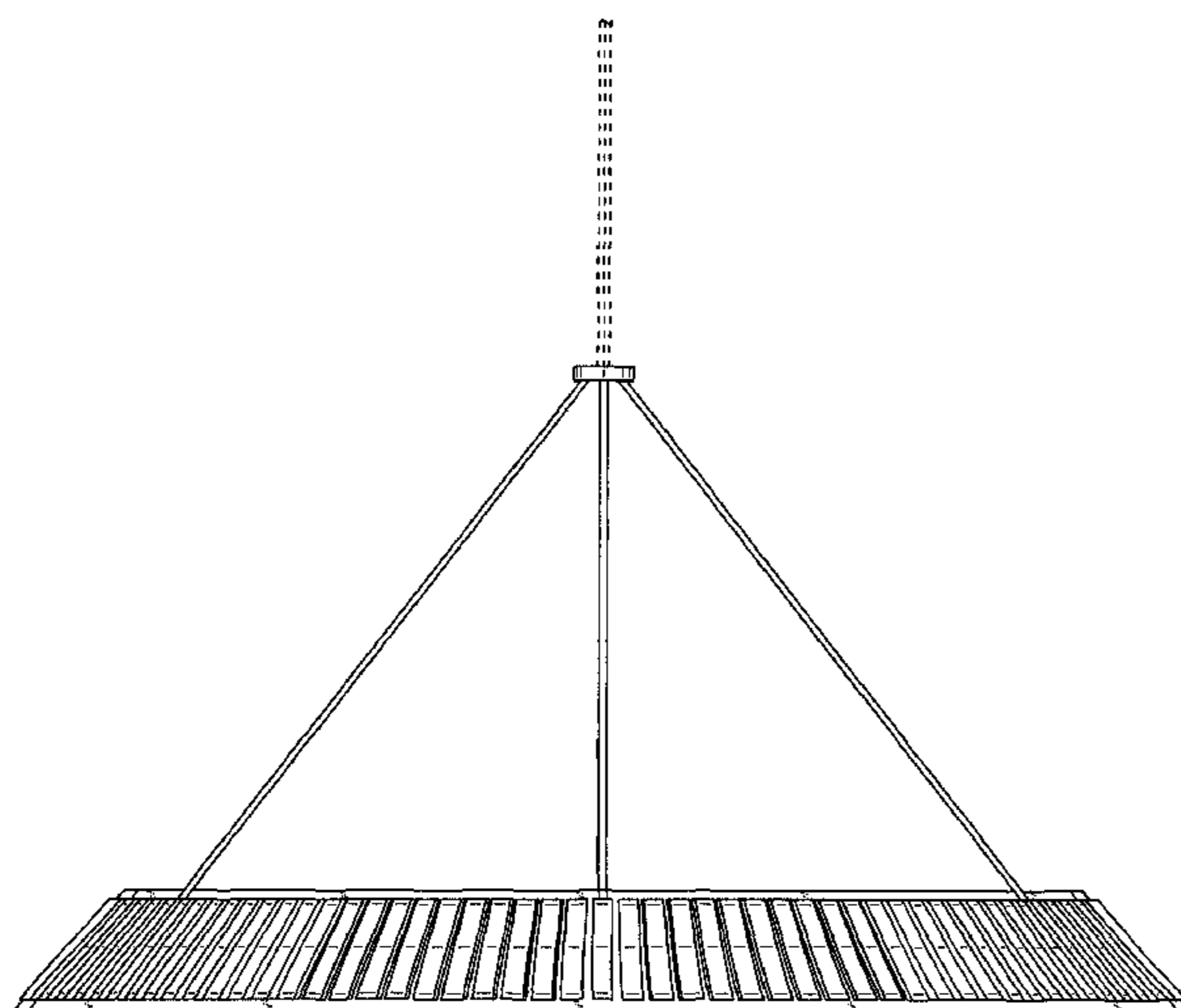


Fig. 1

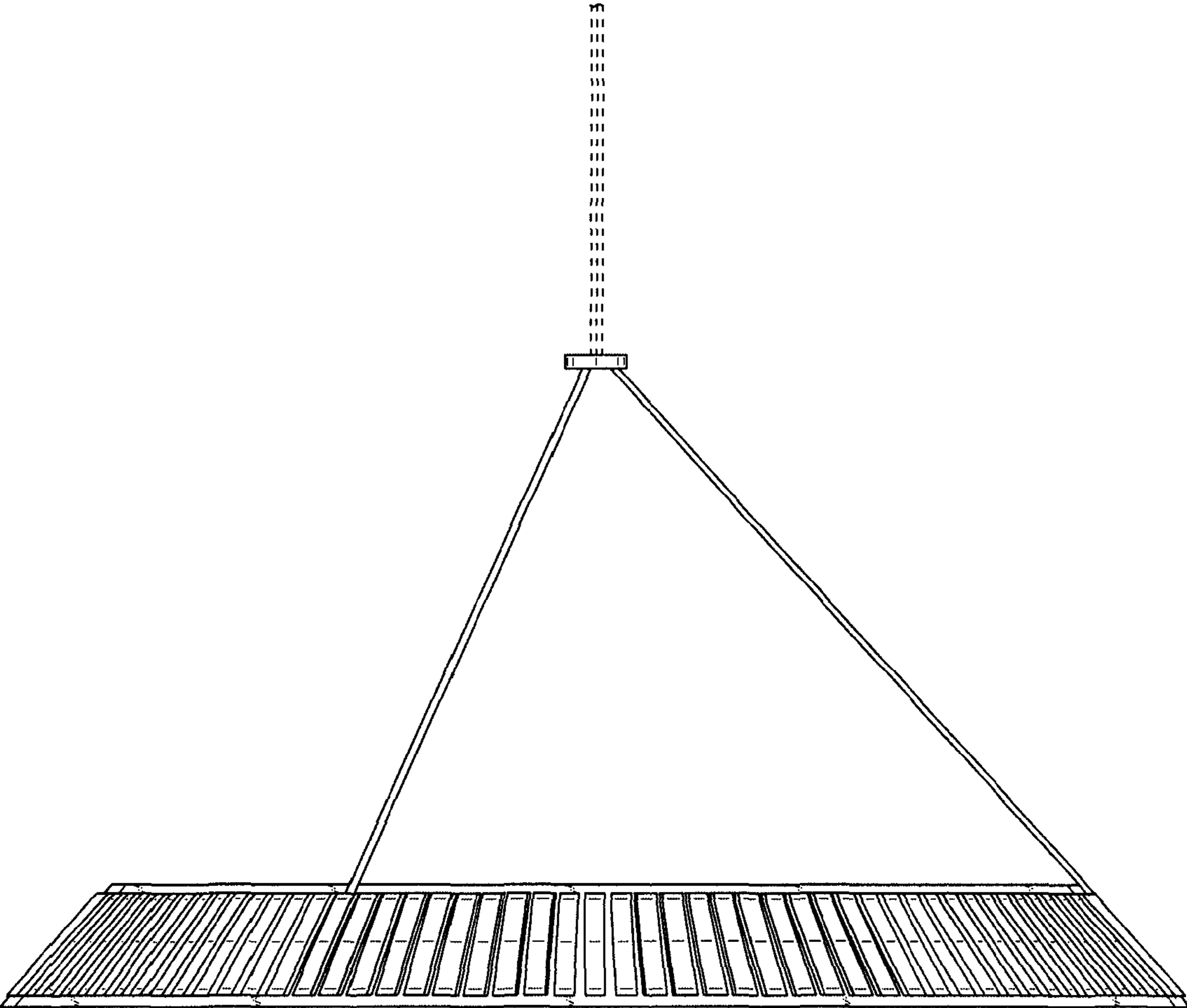


Fig.2

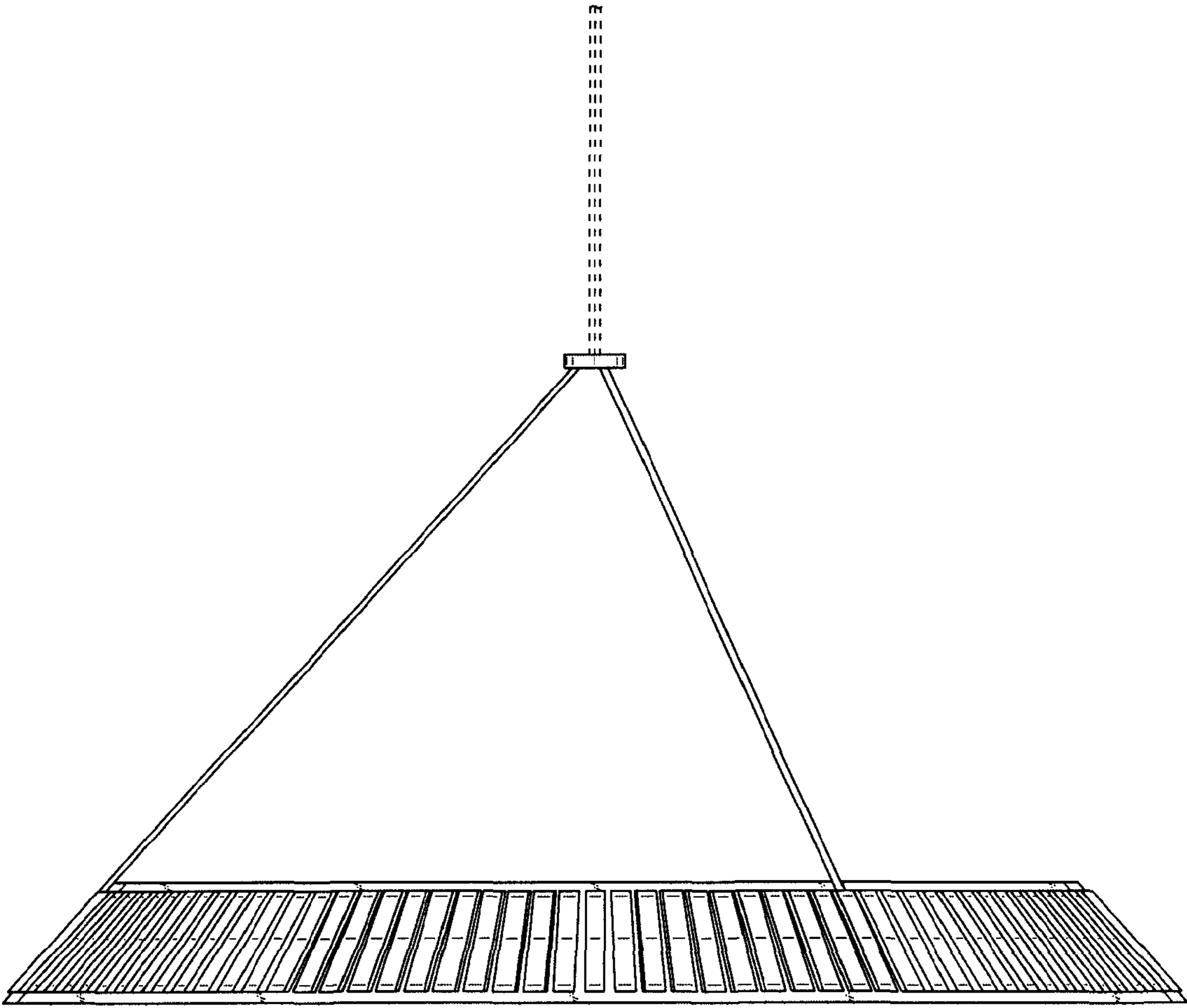


Fig.3

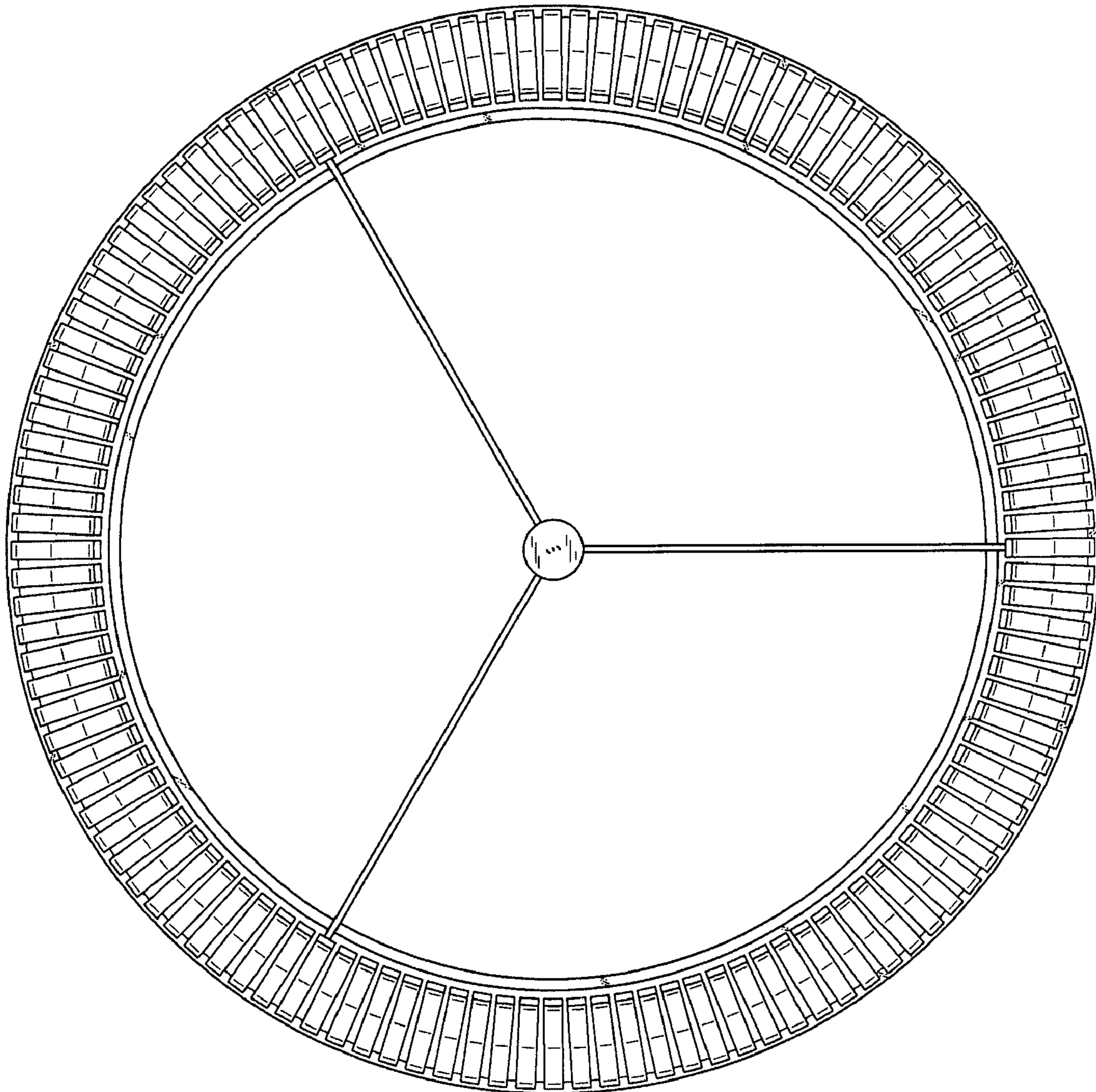


Fig.4

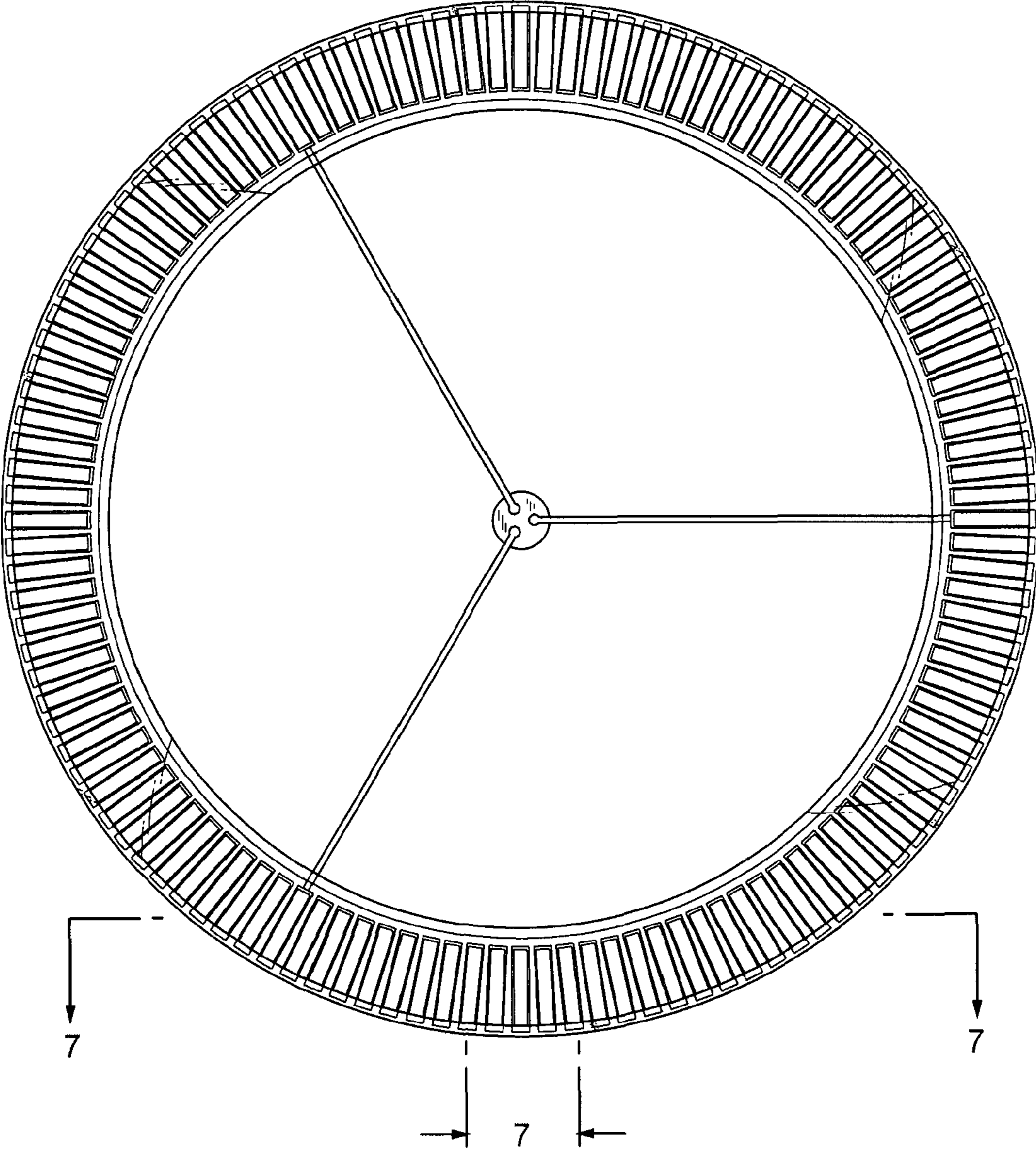


Fig. 5

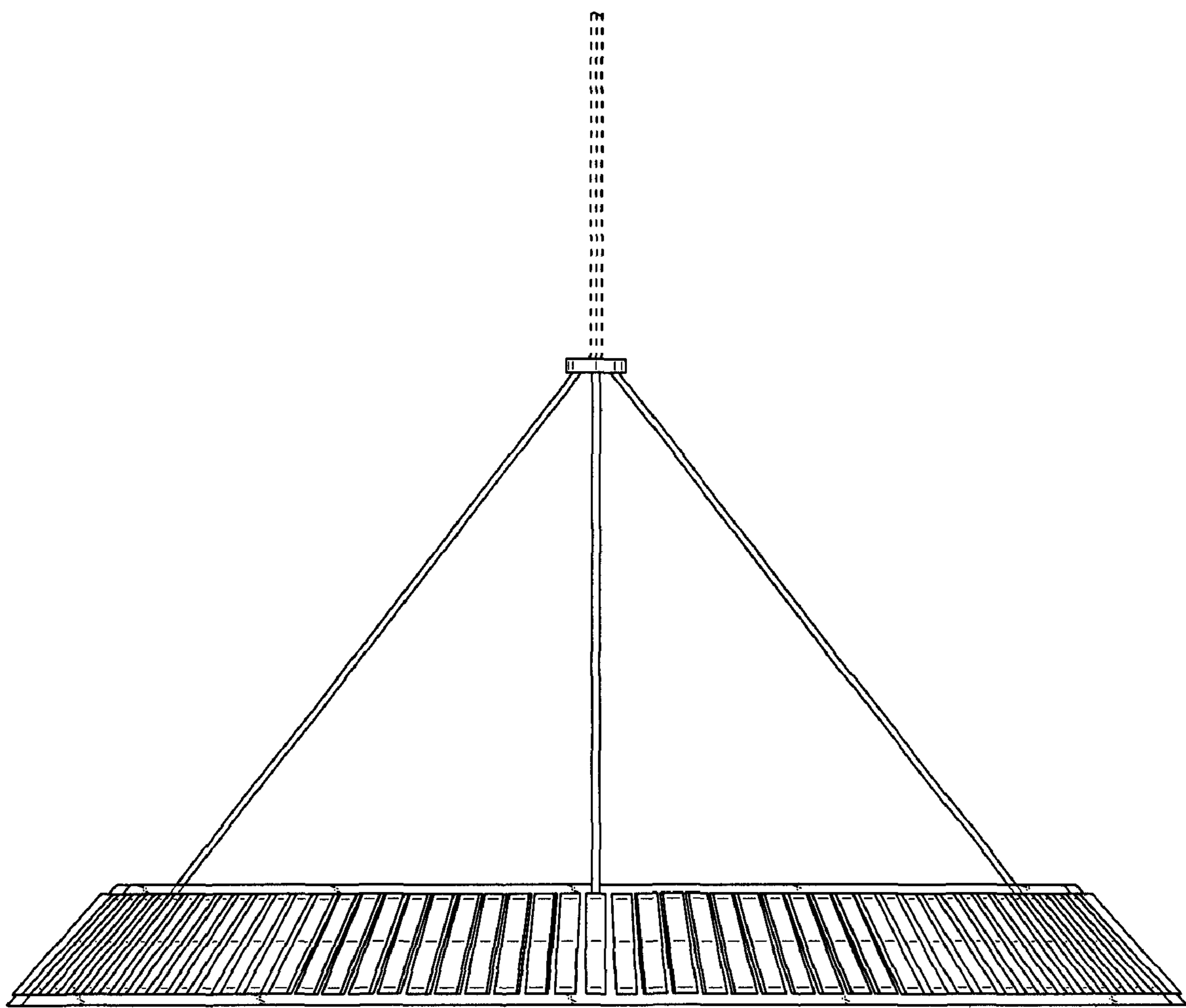


Fig.6

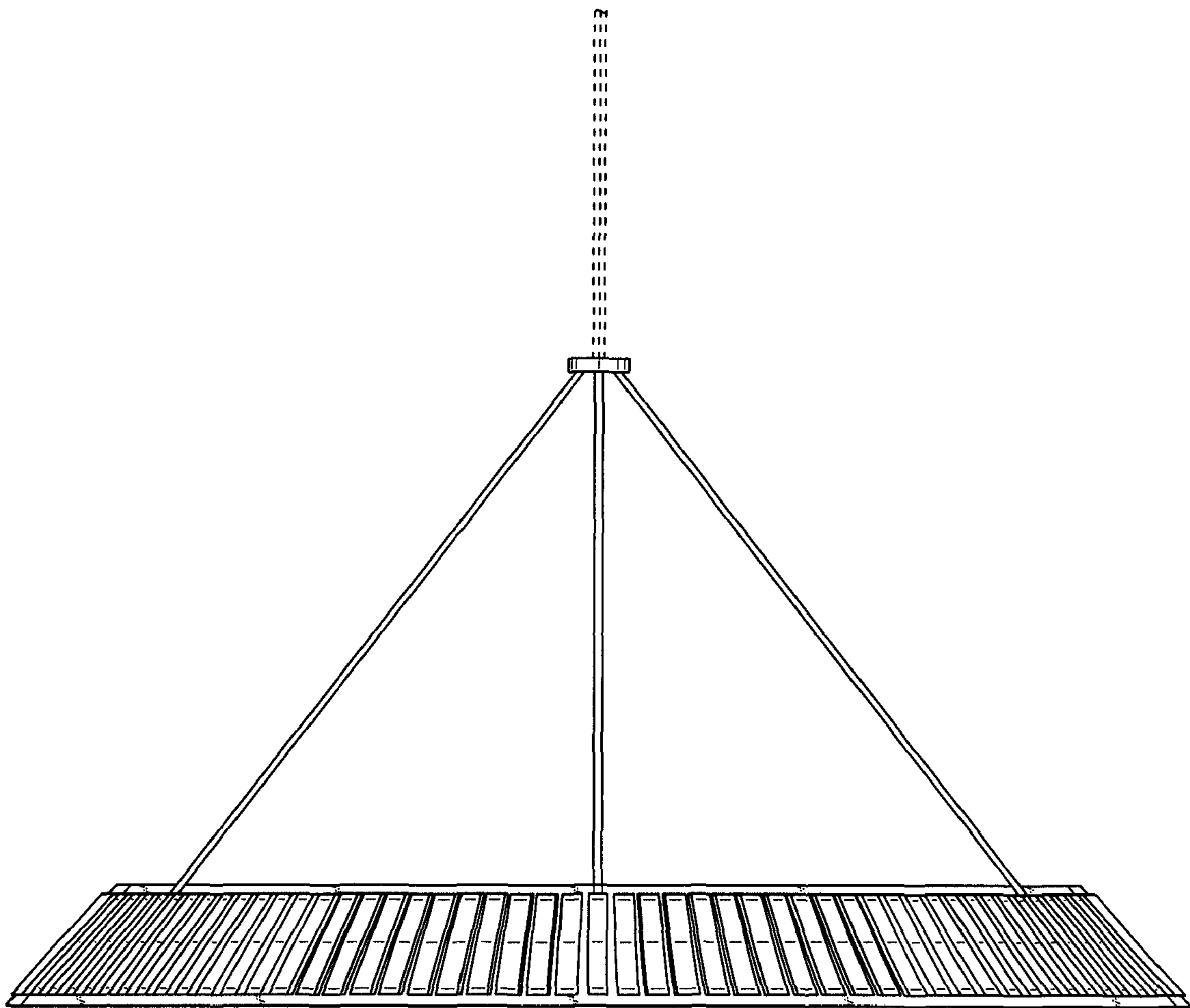


Fig.7

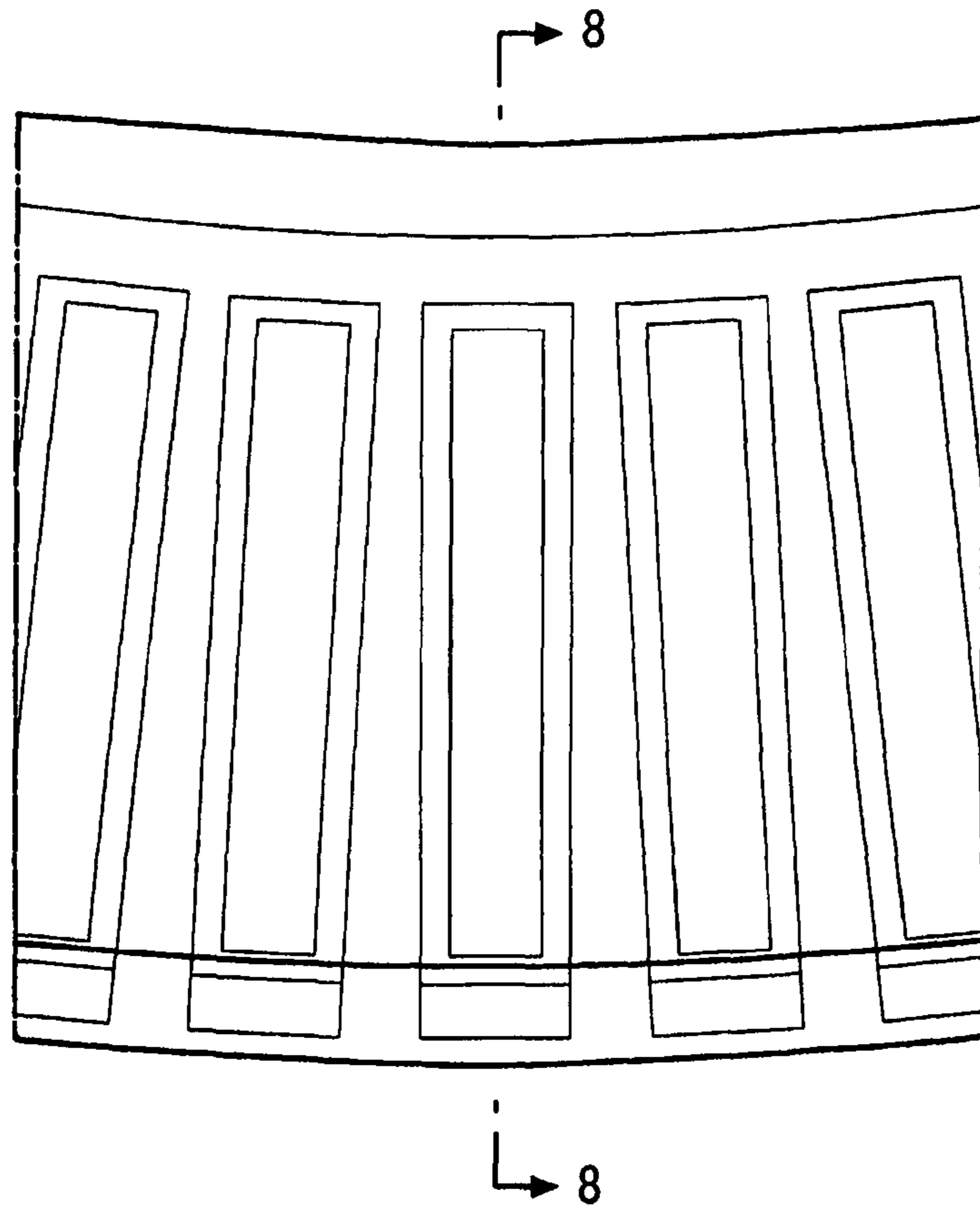


Fig.8

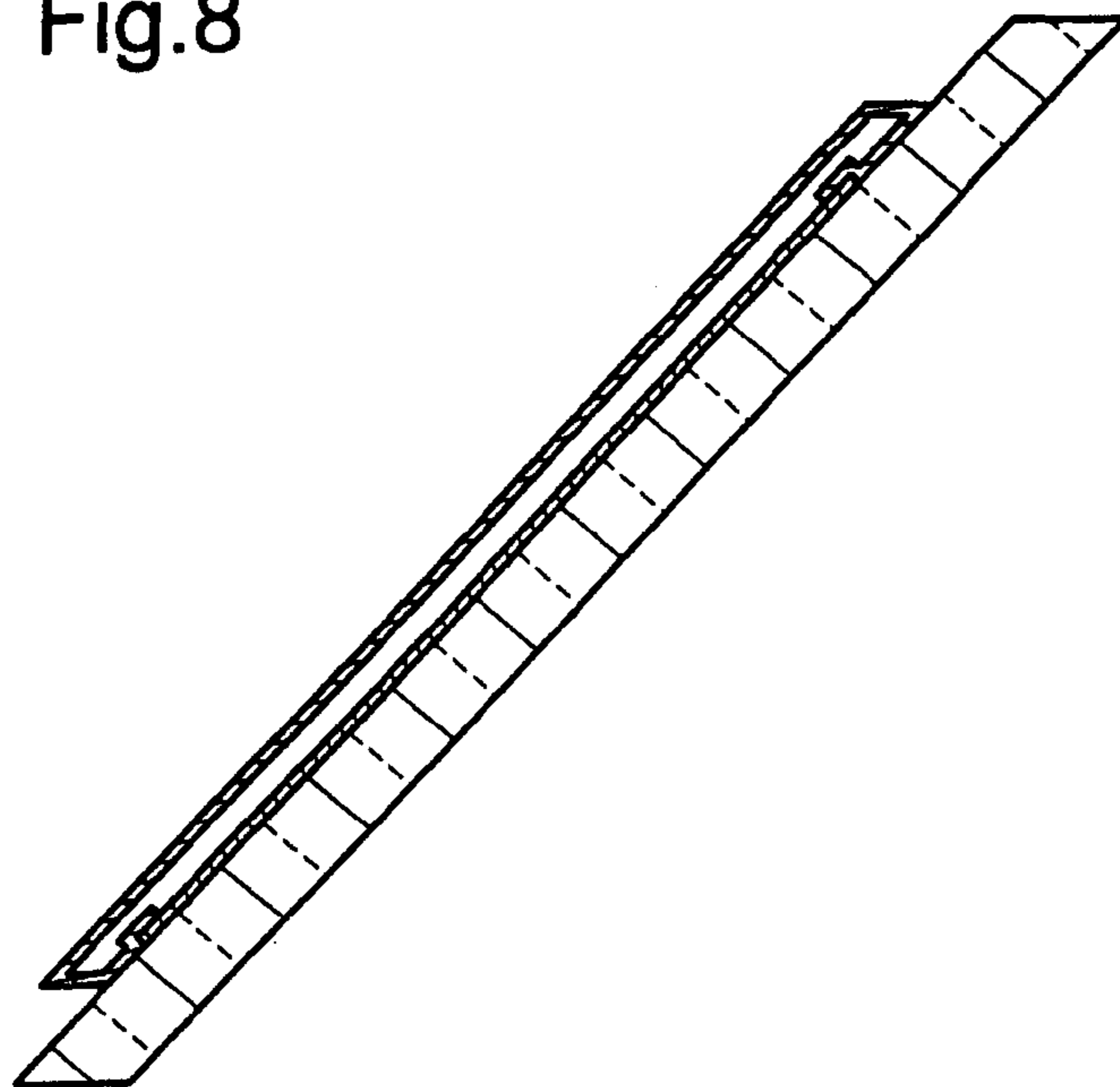


Fig.9

